

TROPICAL ROOFTOP PACKAGE A SERIES



TRUST AIR CONDITIONING EQUIPMENT CO.
Prepared By: Engineering & R & D Department.

Content

1. Installation	2
2. Wired Controller	7

توجه:

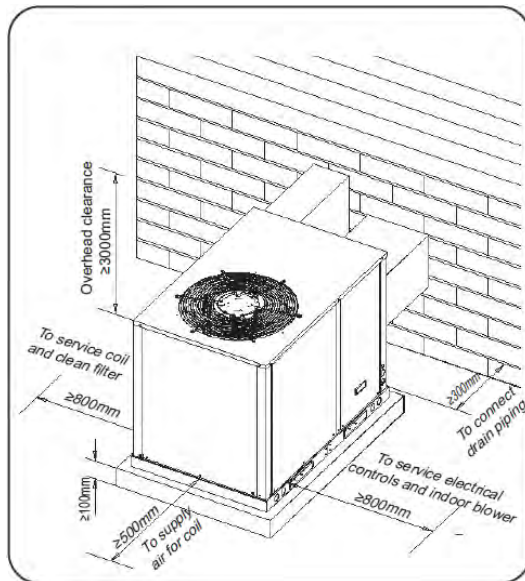
شرکت تراست حق تغییر مشخصات دستگاه ها را در جهت بهبود و ارتقای کیفیت برای خود محفوظ می دارد.

1. Installation

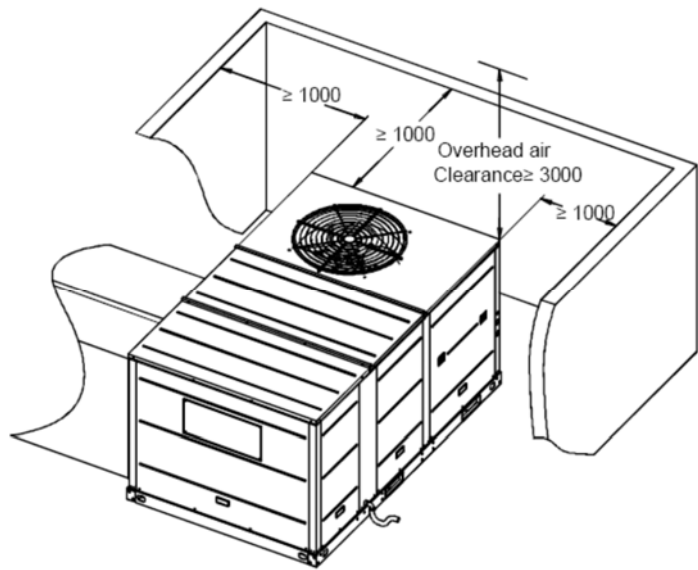
1.1 Service Space

1. The recommended clearances for single-unit installations are illustrated in following *Fig.*

These minimum requirements are not only an important consideration when determining unit placement, but they are also essential to ensure adequate serviceability, maximum capacity, and peak operating efficiency. 2. Any reduction of the unit clearances indicated in these illustrations may result in condenser coil starvation or the recirculation of warm condenser air. Actual clearances which appear to be inadequate should be reviewed with a local engineer.



For 5ton and below



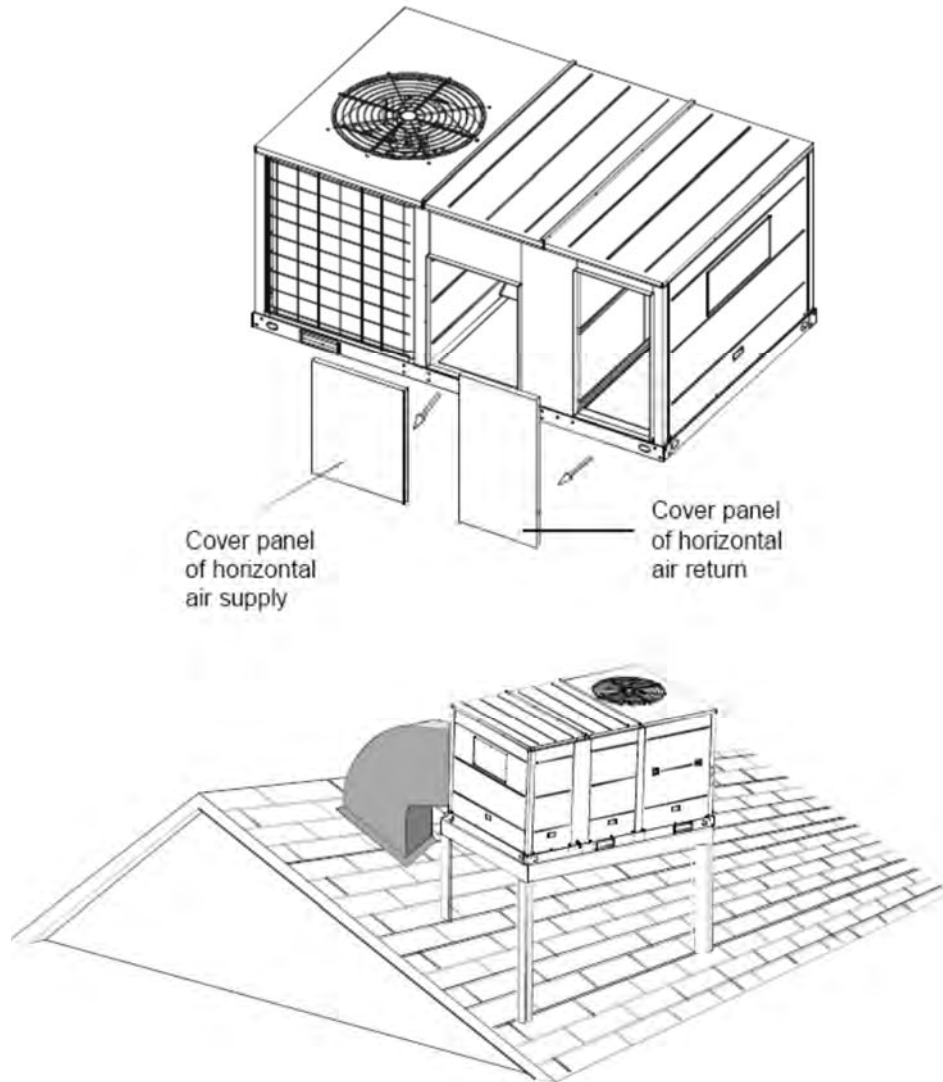
For 6.2ton and above

1.2 Rooftop -- unit

For roof top applications using a field fabricated frame and ducts, according to the following procedure:

- 1) The frame must be located and secured by bolting or welding to the roof. Flashing is required.
- 2) The hole in the roof must be prepared in advance of installing the unit.
- 3) Secure the ducts to the roof.
- 4) Place the unit on the frame or roof curb.
- 5) Secure the unit to the frame or roof curb.
- 6) Insulate any ductwork outside of the structure with at least two (2) inches of insulation and then weatherproof. There must be a weatherproof seal where the duct enters the structure.
- 7) Complete the installation according to the instructions.

Typical rooftop application with frame:



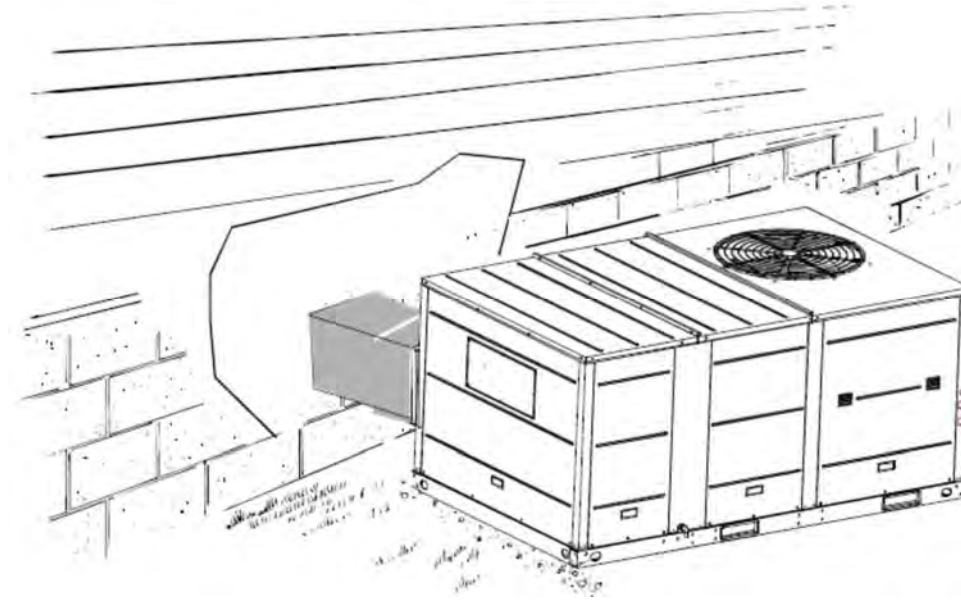
1.3 Ground Level -- Horizontal Units

For ground level installations, the unit should be positioned on a pad the size of the unit or larger. The unit must be level on the pad. The pad must not come in contact with the structure. Be sure the outdoor portion of the supply and return air ducts are as short as possible.

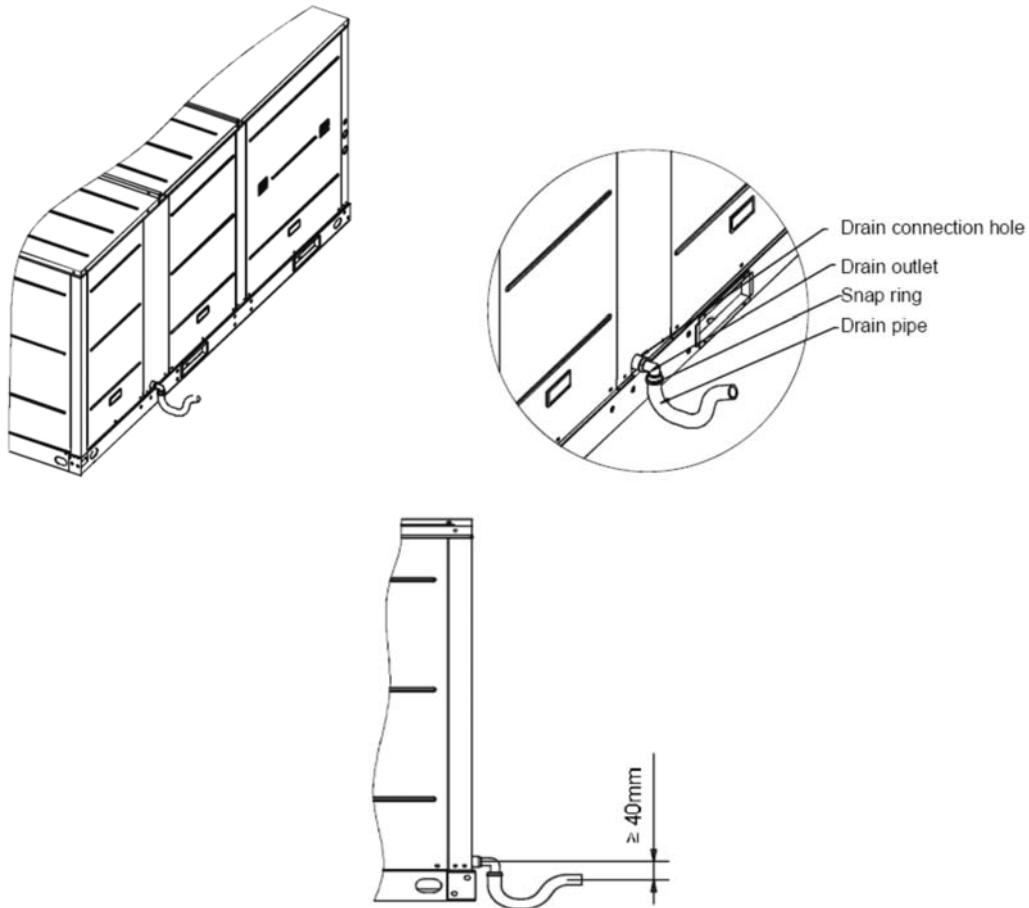
Installation according to the following procedure:

- 1) Place the unit on the pad.
- 2) Attach the supply and return air ducts to the unit.
- 3) Insulate any ductwork outside of the structure with at least 2 inches of insulation and weatherproof. There must be a weatherproof seal where the duct enters the structure.
- 4) Complete the installation according to the instructions.

Typical ground level application:



1.4 Installation of condensate drain piping



1.5 Ductwork

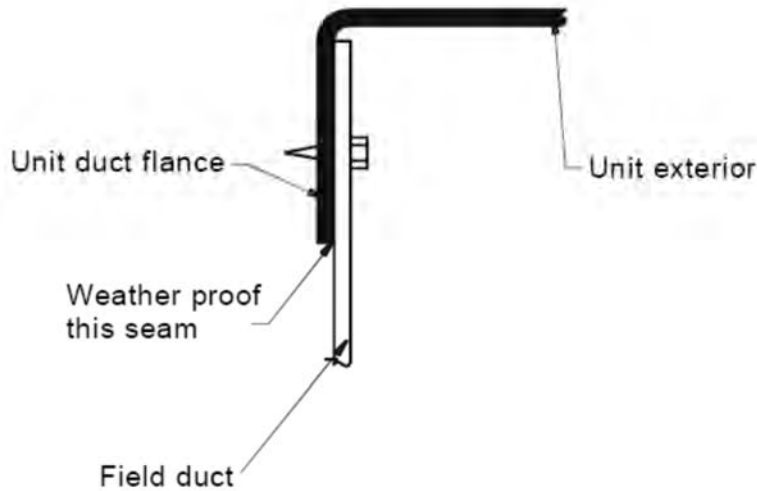
1. Attaching horizontal ductwork to unit

1) All conditioned air ductwork should be insulated to minimize heating and cooling duct losses. Use a minimum of two (2) inches of insulation with a vapor barrier. The outside ductwork must be weatherproofed between the unit and the building.

2) When attaching ductwork to a horizontal unit, provide a flexible watertight connection to prevent noise transmission from the unit to the ducts. The flexible connection must be indoors and made out of heavy canvas.

Note:

Do not draw the canvas taut between the solid ducts.

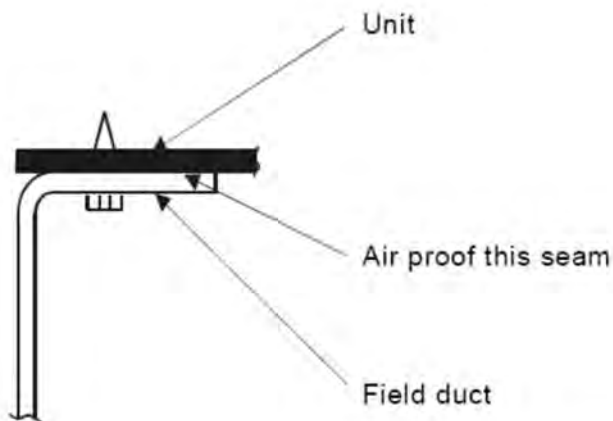


2. Attaching down-flow ductwork to roof curb

Supply and return air flanges are provided on the roof curb for easy duct installation. All ductwork must be run and attached to the curb before the unit is set into place.

Follow these guidelines for ductwork construction:

- 1) Connections to the unit should be made with three-inch canvas connectors to minimize noise and vibration transmission.
- 2) Elbows with turning vanes or splitters are recommended to minimize air noise and resistance.
- 3) The first elbow in the ductwork leaving the unit should be no closer than two feet from the unit, to minimize noise and resistance.



2. Wired Controller

1. Standard unit with Midea’s wired controller: KJR-12B/DP (T)-E



KJR-12B/DP (T)-E

2. Safety precaution

The following contents are stated on the product and the operation manual, including usage, precaution against personal harm and property loss, and the method of using the product correctly and safely. After fully understanding the following contents (identifiers and icons), read the text body and observe the following rules.

Identifier description

Identifier	Meaning
Warning	Means improper handling may lead to personal death or severe injury.
Caution	Means improper handling may lead to personal injury or property loss.
[Note]: 1. "Harm" means injury, burn and electric shock which need long-term treatment but need no hospitalization 2. "Property loss" means loss of properties and materials.	

■ Icon description

Icon	Meaning
	It indicates forbidding. The forbidden subject-matter is indicated in the icon or by images or characters aside.
	It indicates compulsory implementation. The compulsory subject-matter is indicated in the icon or by images or characters aside.

Warning

	Delegate installation	Please entrust the distributor or professionals to install the unit. The installers must have the relevant know-how. Improper installation performed by the user without permission may cause fire, electric, shock, personal injury or water leakage.
--	-----------------------	--

	Forbid	Do not spray flammable aerosol to the wire controller directly. Otherwise, fire may occur.
	Forbid	Do not operate with wet hands or let water enter the wire controller. Otherwise, electric shock may occur.

3. Summarize

Usage condition:

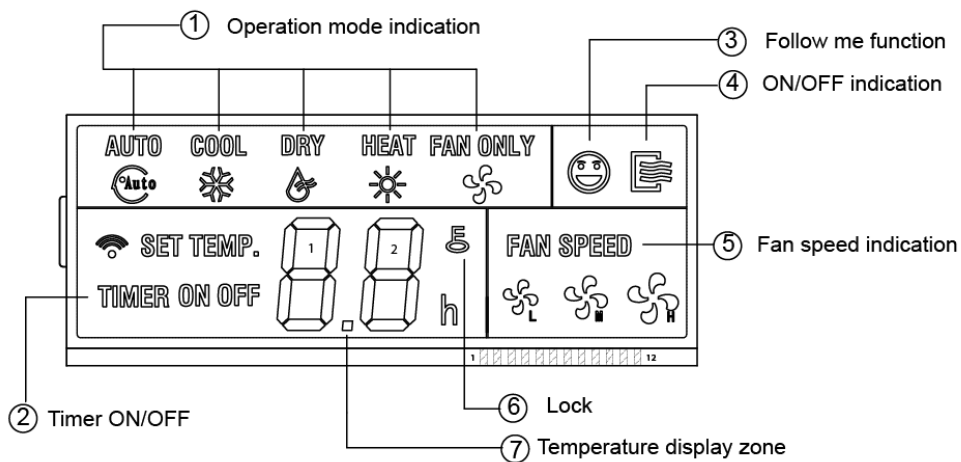
- ①. Power supply: 5V DC.
- ②. Operation temperature: -15°C~+43°C.
- ③. Operation humidity: 40%-90%, RH.

4. Function summary

Main function:

- ①. Connecting to indoor unit by A, B, C, D, E terminal;
- ②. Button setting action mode.
- ③. LCD display.
- ④. Timer for rest time.

5. Name and function of indicators on the controller



① Operation mode indication:

When press " MODE " button, the following mode can be selected in circle. Auto→Cool→Dry→Heat→Fan only→Auto. For cooling only model,heat mode is skipped.

② Timer :

When adjust setting on time or only on time is set, the "ON" is lighted.

When adjust setting off time or only off time is set, the "OFF" is lighted. If on and off timer are both set, both the "ON" and "OFF" are lighted.

③ Follow me function:

There is a temperature sensor inside the wired controller, after setting temperature, it will compare the two temperatures, and the space of wired controller will be the same as setting temperature. It is available under cooling, heating, auto mode.

④ ON/OFF indication :

When it is on, the icon display, otherwise it is extinguished.

⑤ Fan speed indication :

There are four fan modes: low, middle, high and auto. For some models, no middle fan then the middle fan is seen as high speed. The function is not suitable for the rooftop package units.

⑥ Lock:

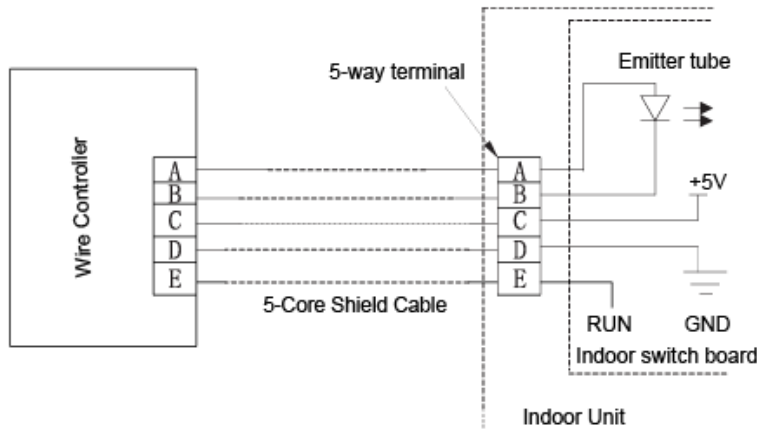
When the "LOCK" button is pressed, the icon appears and other buttons is unable, press again, the icon disappears.

⑦ Temperature display zone:

Generally it displays setting temperature, it can be adjusted by press temperature button ▲ and ▼. But in

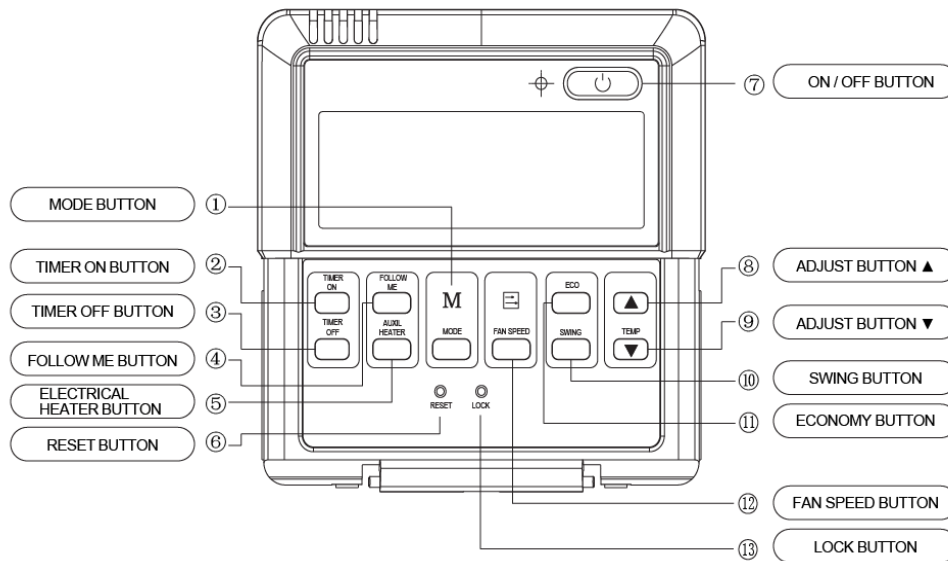
fan mode, no display is here.

6. Installation method



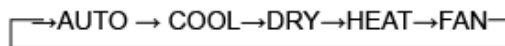
If a wired controller is needed, a small 5-way terminal should be added, fix an infrared emitter with gumwater near the receiver on the switch board. Connect its anode and cathode to A and B, and +5V, GND, RUN to C, D, E on the switch board.

7. Name and operation of the button on the wired controller



1) Mode button:

When press this button, the operation mode change as the following sequence:



Remark: For the cooling only model, the heating mode is skipped.

2) Timer on button :

Press this button, timer on function is active. Then every press, the time increase 0.5h, after 10h, 1h increase after each press. If cancel this Function, just set it to "0.0".

3) Timer off button:

Press this button, timer off function is active. Then every press, the time increase 0.5h, after 10h, per 1h increase after each press. If cancel this function, just set it to "0.0".

4) Follow me button:

When under cool, heat and auto modes, Press this button, follow me function is active. Press again, this

function is ineffective.

5) Electrical heater button :

If press this button in heat mode, electrical heater function become ineffective.

6) Reset button(hidden):

Use a 1mm stick to press in the little hole , then the current setting is canceled . The wired controller enters into original state.

7) ON/OFF button:

When in off state, press this button, the indicator is on, the wired controller enter into on state, and send setting information to in-door PCB. When in on state, press this button, the indicator is off, and send instruction. If timer on or timer off has been set, it cancel this setting then send instruction to stop the machine.

8) Adjust button ▲ :

Set indoor temperature up. If press and hold on, it will increase at 1 degree per 0.5 second.

9) Adjust button ▼ :

Set indoor temperature down. If press and hold on, it will decrease at 1degree per 0.5 second.

10) Swing button:

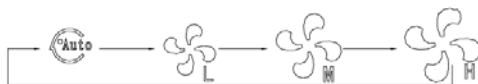
First, press start-swing function; second, press stop-swing. (Match to some model with swing function).

11) Economy operation button:

Press this button, the indoor unit operates in economy mode, press it again, exit this mode (it may be ineffective for some models)

12) Fan speed button:

Press this button consecutively, the fan speed will circle as follow:



13) Lock button(hidden):

When you push the LOCK button, all current settings are locked in and the wired controller does not accept any operation except that of the LOCK button. Use the lock mode when you want to prevent setting from being changed accidentally or play fully. Push the LOCK button again when you want to cancel the LOCK mode.

8. Using method

Automatic operation

Connect to power, indoor operation lamp flash.

- ①. Press "MODE" button, select "AUTO";
- ②. Press the button "▲" and "▼", set temperature you want, generally it is among 17°C~30°C;
- ③. Press "ON/OFF" button, operation lamp is on, the air-conditioner work in auto mode, indoor fan is auto, and cannot be changed. Auto is displayed on LCD. Press "ON/OFF" button again to stop.
- ④. Economy operation is valid in auto mode.

Cool/Heat/Fan mode operation

- ①. Press "MODE" button, select "COOL", "HEAT" or "FAN ONLY" mode.
- ②. Press temperature adjust button to select setting temp..
- ③. Press "FAN SPEED" button to select high/mid/low/auto.
- ④. Press "ON/OFF" button, indoor unit operation lamp on, it works in selected mode. Press "ON/OFF" button again, it stops to work.

Remark: When in fan mode, no temperature can be set.

Dry operation

- ①. Press "MODE" button, select "DRY" mode.
- ②. Press temperature adjust button to select setting temp.
- ③. Press "ON/OFF" button, indoor unit operation lamp on, it works in dry mode. Press ON/OFF button again, it stops to work.
- ④. In dry mode, economy operation and fan speed are ineffective.

Timer setting

Timer on only:

- ①. Press " TIME ON " button, it display "SET" on LCD, and display " H " and "ON" , it is waiting for timer on setting.
- ②. Press "timer" on button repeatedly to adjust time setting.
- ③. If press this button and hold on, the time will increase at 0.5h, after 10h, it increases at 1h.
- ④. After setting 0.5 second, the wired controller send timer on information, it is finished.

Timer off only:

- ①. Press "TIME OFF " button, it display "SET" on LCD, and display " H " and ON, it is waiting for timer on setting.
- ②. Press "TIME OFF" button repeatedly to adjust time setting.
- ③. If press this button and hold on, the time will increase at 0.5h, after 10h, it increases at 1h.
- ④. After setting 0.5 second, the wired controller send timer off information, it is finished.

Bothe timer on and timer off

- ①. Set timer on time as the corresponding step1 and 2.
- ②. Set timer off time as the corresponding step1 and 2.
- ③. Timer off time must be longer than timer on time.
- ④. 0.5 second after setting, the wired controller send information, the setting is finished.

Change timer

If there is a timer of changing time to be need, press corresponding button to revise it. If cancel timer, change time to 0.0.

NOTE: The timer time is relative time, that is delay after setting time (i, e: setting time is 8:05 A,M). So when timer is set, the standard time cannot be adjusted.

9. Optional wired controller:

KJR-23B: For cooling only and cooling with auxiliary heater

KJR-25B: For Cooling and heating

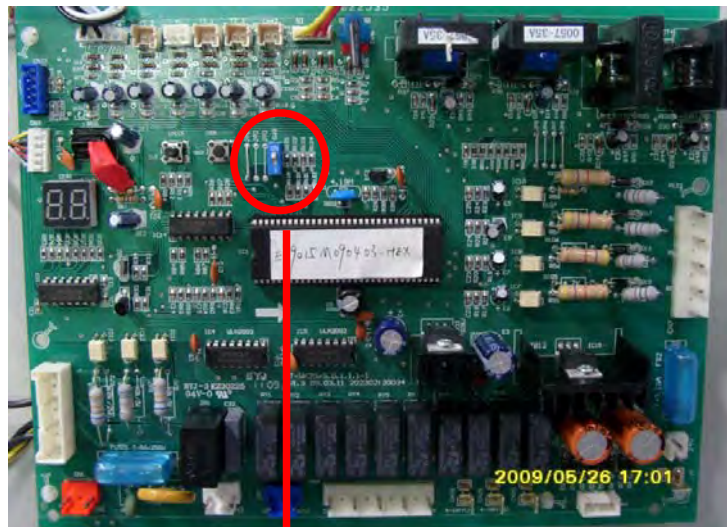


KJR-23B



KJR-25B

Note: When select KJR-12B wired controller, please make sure SW3 have been set at“ON”, otherwise it should be set at “1”.





Air Conditioning Systems

Cooling & Heating

TRUST AIR-CONDITIONING EQUIPMENT CO.

Shiraz office: 8 th floor, Alvand Bldg., Dostan St.,
Moaliabad Ave., SHIRAZ, IRAN., Post code: 71877-14446

Tel.: +98-71-36341070

Fax.: +98-71-36341094

Tehran office: No. 19- koohe nour St.- Motahhari St.-

TEHRAN, IRAN., Post code: 15876-73111

Tel.: +98-21-89389

Fax.: +98-21-88541903

Ahwaz office: No. 309- Kaveh St.- AHWAZ, IRAN., Post code: 61939-47911

Tel.: +98-61-32230647-8

Fax.: +98-61-32230647

E-mail: info@trustacs.com

Web site: <http://www.trustacs.com>

برند برتر در اولین جشنواره بین المللی
برترین نام و نشان های تجاری ایران

