

FAN COIL UNIT (FLOOR MOUNTED TYPE)



TRUST AIR CONDITIONING EQUIPMENT CO.
Prepared By: Engineering & R & D Department.

Content

1. INSTALLATION	-2-
2. CONTROLLER.....	- 3 -

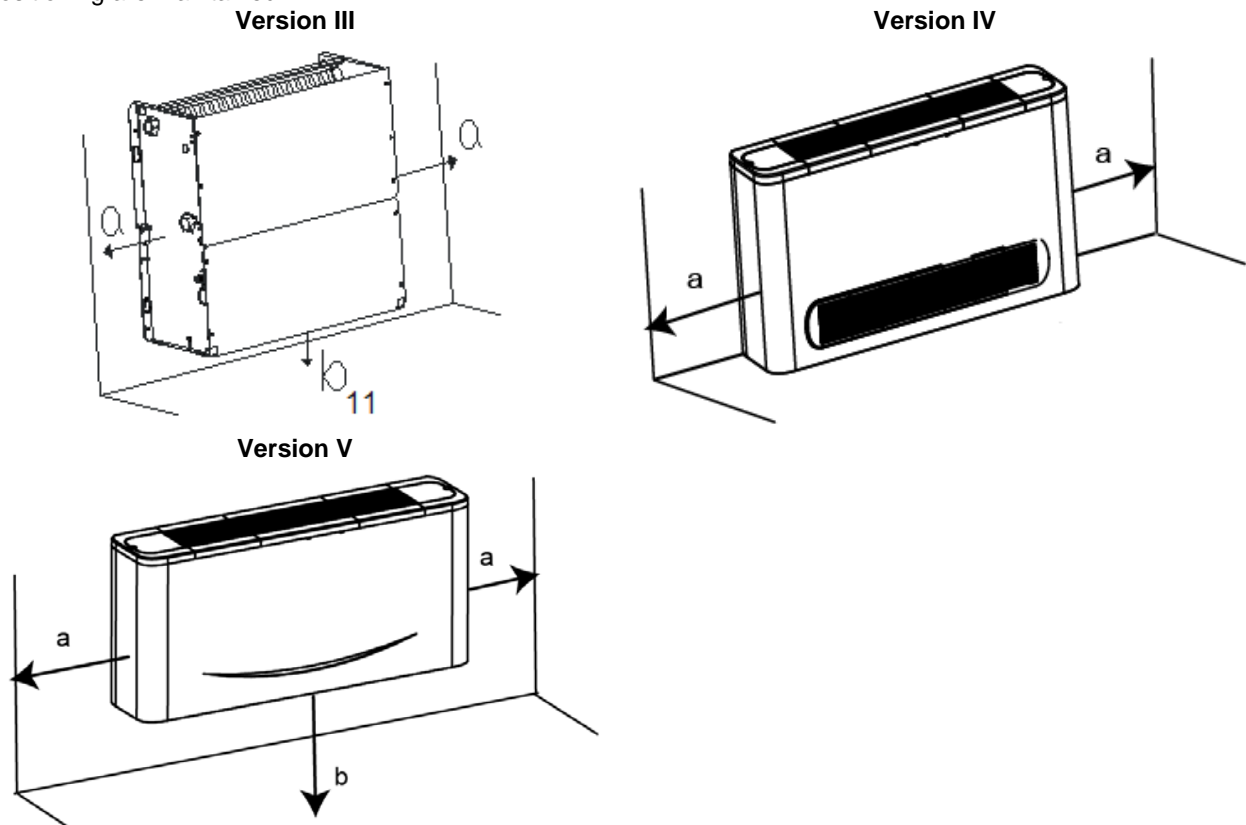
توجه:
شرکت تراست حق تغییر مشخصات دستگاه ها را در جهت بهبود و ارتقای
کیفیت برای خود محفوظ می دارد.

2016

1. Installation

■ Installation space

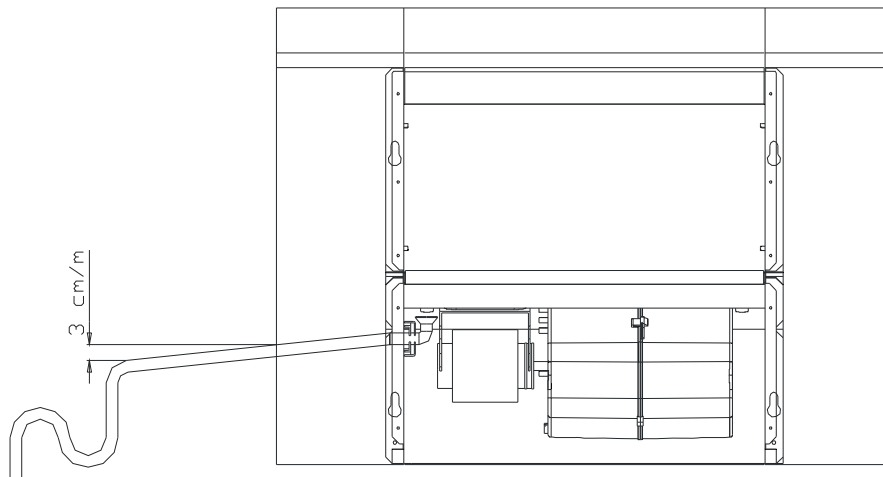
The unit may be mounted vertically on the wall or standing on the floor, provided that the correct clearances for the positioning are maintained.



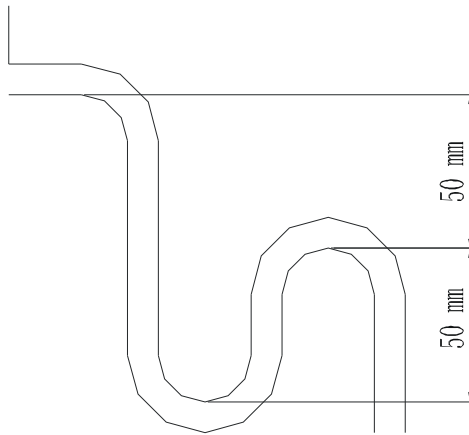
Version	III	IV	V
a (mm)	200	150	150
b (mm)	80	-	80

■ Condensate drainage pipe installation

The condensation drainage system must be set up with an adequate fall, to ensure that the water escapes properly. Following are directions for setting up a proper condensation drainage system.

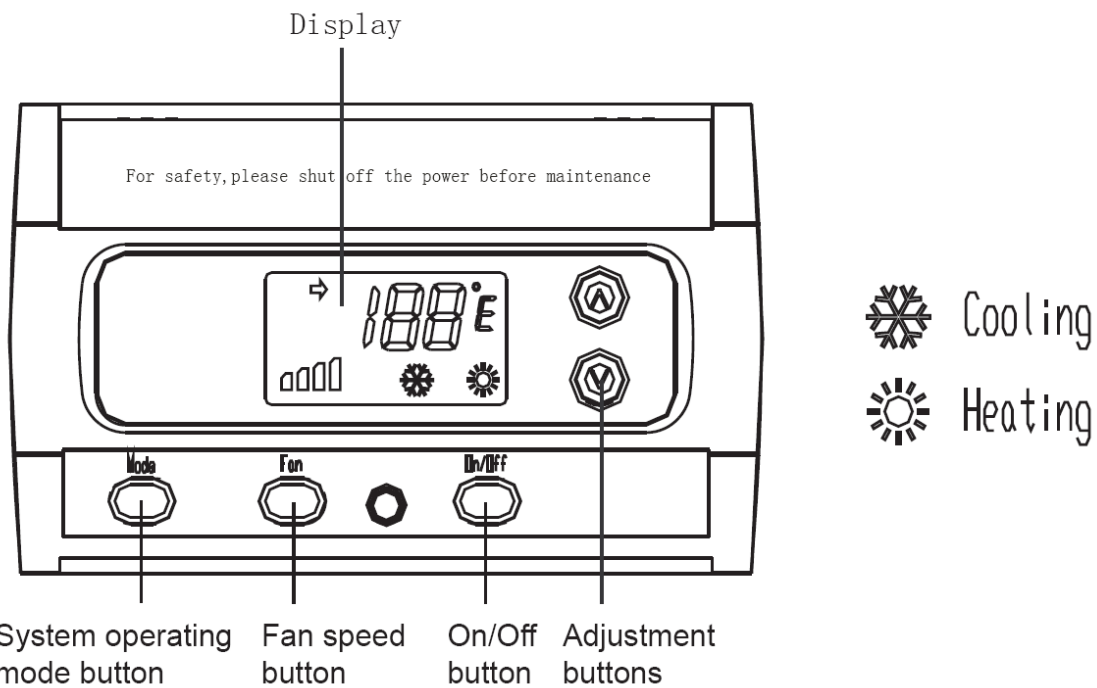


The condensation drainage system must be fitted with a suitable trap to prevent seepage of odors. Following are directions for setting up the trap.



2.Controller

Wired controller: KJR-15B/E(P)



■ Features:

- System operating mode button: heat, cool or fan
- Fan speed button: low, middle or high
- On/off button: on or off
- Temperature display in °F or °C

■ Use condition:

- Electrical range
Input voltage: 220V~; output voltage: 220V~
- Temperature and Humidity range
Temperature: -15°C~ +43°C
Humidity: RH40%~RH90%

■ Operation of the key-press

1. Key-press for fan speed
 - It is used to change the fan speed;
 - Press the key continuously, the LCD display the corresponding sign to switch back and forth, as the following order.

2. Key-press for mode
 - Press it for select the operation mode;
 - Press the key continuously, the LCD display the corresponding sign, as the figure below.
3. Key-press for on/off
 - Press it to select to turn off the unit and FAN mode;
 - These two modes don't display on the LCD.
4. Key-press for “▲” and “▼”
 - Except the select Contact surface of temperature pattern, when you press the “▲” once, the setting temperature increases progressively 1 degree. When the temperature is up to 30°C, Even if continue to press this key, the setting temperature will not increase any longer.
 - Display when the temperature increases progressively as the following order:

8 → 9 → 10 ... → 32 (°C)

46 → 48 → 50 ... → 89 (°C)
 - Except the Contact surface of temperature pattern select, when you press the “▼” once, the setting temperature decreases progressively 1 degree. When the temperature falls to 46 C, Even if continue to press this key, the setting temperature will not decrease any longer.
 - Display when the temperature decreases progressively as the following order:

32 → 31 → 30 ... → 8 (°C)

89 → 87 → 86... → 46 (°C)
 - After the power is on, press both the “▲” and “▼” for 3 seconds, enter the select
 - Contact surface of Degree Celsius and degree Fahrenheit. Press “▲” and “▼” to select the temperature pattern:

C ↔ F

- At the same time as selection is done, press “▲” or “▼” for 3 seconds, quit the select contact surface of temperature pattern, back to the current temperature display page.
 - Press the “▲” or “▼” for 2 seconds, the numbers keeping get up or get down. If no key has been pressed in 2 seconds, the system will turn back to the current temperature display, the figure “→” will disappear.
5. Explanation of function
 - Summarization of controlled objects of each part 3-way valve (quantity:2)
 - In cooling or heating mode, the thermostat Judges whether to send the 3-way valve signal (220V AC) according to the Current and setting temperature. No signal of the 3-way valve is put out when the power is off.
 - Fan motor
In cooling, heating or FAN mode, the fan motor has 3 speeds, optional: HIGH, MIDDLE, LOW (220V/ AC). No signal when the power is off.
 - Thermostat temp sensor(T1)
When check that the input voltage range of the indoor T1 temperature is out of 0.05~4.95V, it is considered that the sensor is open-circuit or short-circuit, the 3-way valve and the fan motor stop. The sensor displays E1, shows that any key is ineffective.
When the voltage recovers in the range of 0.05~4.95V, error E1 released, the 3-way valve and the fan motor signal get back to the former condition, the press-key is effective.
 - **Explanation of mode function:**
 - FAN
Only FAN mode. In this mode, fan motor signal is sent out (optional: HIGH, MIDDLE, LOW);
 - COOLING
When in cooling mode, the thermostat Judges whether to send the 3-way valve signal according to the current and setting temperature. the 3-way valve signal will be sent out only in this situation when $T_1(\text{current temperature}) - T_s(\text{setting temperature}) \geq 2^\circ\text{C}$.
 - HEATING
When in heating mode, the thermostat Judges whether to send the 3-way valve signal according to the current and setting temperature. the 3-way valve signal will be sent out only in this situation when $T_s(\text{setting temperature}) - T_1(\text{current temperature}) \geq 2^\circ\text{C}$.
 - Stopping the system
When the system is off, the thermostat will not send out 3-way valve signal.
 - **Explanation of fan motor function**
 - In the heating or cooling mode, the corresponding signals in the HIGH, MIDDLE, LOW level should be consistent with the 3-way valve signals of the corresponding pattern.

- Set to FAN mode for FAN only.



Air Conditioning Systems

Cooling & Heating

TRUST AIR-CONDITIONING EQUIPMENT CO.

Shiraz office: 8 th floor, Alvand Bldg., Dostan St.,
Moaliabad Ave., SHIRAZ, IRAN., Post code: 71877-14446

Tel.: +98-71-36341070

Fax.: +98-71-36341094

Tehran office: No. 19- koohe nour St.- Motahhari St.-

TEHRAN, IRAN., Post code: 15876-73111

Tel.: +98-21-89389

Fax.: +98-21-88541903

Ahwaz office: No. 309- Kaveh St.- AHWAZ, IRAN., Post code: 61939-47911

Tel.: +98-61-32230647-8

Fax.: +98-61-32230647

E-mail: info@trustacs.com

Web site: <http://www.trustacs.com>

برند برتر در اولین جشنواره بین المللی
برترین نام و نشان های تجاری ایران

