

TROPICAL ROOFTOP PACKAGE S SERIES



TRUST AIR CONDITIONING EQUIPMENT CO.
Prepared By: Engineering & R & D Department.

Contents

1. Product Lineup.....	2
2. External Appearance.....	3
3. Features	5
4. List of Functions.....	8
5. Specifications	10
6. Dimensional Drawings	22
7. Wiring Diagrams	29
8. Performance Data.....	56
9. Explode View	66
10. Electrical Data.....	152
11. Parameter and Pressure Chart for Air Volume	154
12. Refrigerant Cycle Diagram	164
13. Operation Limit.....	166

توجه:

شرکت تراست حق تغییر مشخصات دستگاه ها را در جهت بهبود و ارتقای کیفیت برای خود محفوظ می دارد.

1. Product Lineup

Nominal Capacity Ton	Model		Refrigerant	Power Supply
	Model Name (CB04)	Function		V, Ph, Hz
5	TMC18T3/3T4A00NO1S	Cooling only	R410A	380-415V, 3Ph,50Hz
6.2	TMC22T3/1T4A00NO1S	Cooling only		380-400V, 3Ph,50Hz
6.2	TME22T3/1T4A14NO1S	Cooling + EAH		
6.2	TMH22T3/1T4A00NO1S	Heat pump		
7.5	TMC26T3/1T4A00NO1S	Cooling only		
7.5	TME26T3/1T4A14NO1S	Cooling + EAH		
7.5	TMH26T3/1T4A00NO1S	Heat pump		
8.5	TMC30T3/1T4A00NO1S	Cooling only		
8.5	TME30T3/1T4A21NO1S	Cooling +EAH		
8.5	TMH30T3/1T4A00NO1S	Heat pump		
10	TMC35T3/1T4A00NO1S	Cooling only		
10	TME35T3/1T4A21NO1S	Cooling + EAH		
10	TMH35T3/1T4A00NO1S	Heat pump		
12.5	TMC44T3/1T4A00NO1S	Cooling only		
12.5	TMH44T3/1T4A00NO1S	Heat pump		
15	TMC53T3/1T4A00NO1S	Cooling only		
15	TME53T3/1T4A30NO1S	Cooling + EAH		
15	TMH53T3/1T4A00NO1S	Heat pump		
17.5	TMC62T3/1T4A00NO1S	Cooling only		
17.5	TME62T3/1T4A30NO1S	Cooling + EAH		
17.5	TMH62T3/1T4A00NO1S	Heat pump		
20	TMC70T3/1T4A00NO1S	Cooling only		
20	TME70T3/1T4A39NO1S	Cooling +EAH		
20	TMH70T3/1T4A00NO1S	Heat pump		
30	TMC105T3/1T4A00NO1S	Cooling only		
30	TME105T3/1T4A39NO1S	Cooling +EAH		
30	TMH105T3/1T4A00NO1S	Heat pump		

Note: Please refer to specification tables for accurate cooling or heating capacity with Kw or Btu/h unit.

2. External Appearance

5Ton



6.2&7.5Ton



8.5&10Ton



12.5Ton



15&17.5&20Ton



30Ton



3. Features

1. The adoption of anticorrosive-box

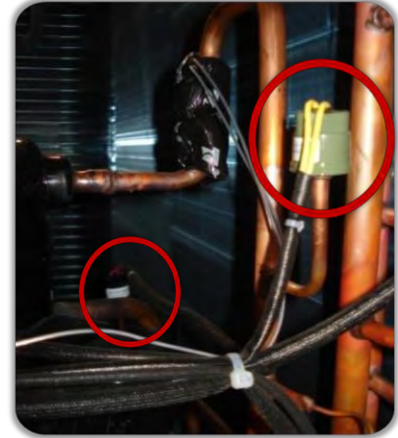
The reinforced anticorrosion by using galvanization armor plate and coated with man-composed paint. The appearance is stylish and easy for maintenance.
(Has been passed 1000 hours salt spray test)

2. The adoption of credible protection system

2.1 The protection of compressor

High-pressure protection, low-pressure protection, compressor's current protection and so on. The series' protectors can ensure compressor operating normally.

It adopts independent system, except for protection of sequence and wired controller output, any related protection to its corresponding compressor. Once a compressor protection energized, the corresponding compressor will stop, the others working still.



2.2 Fan motor

The fan motors for evaporator have over-heat protection and over-current protection function. The fan motors for condenser have the temperature controller protection function.

3. Energy saving design

3.1 High efficiency compressor

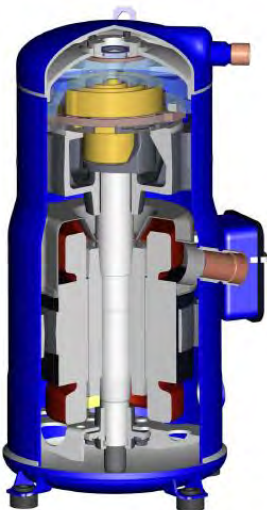
Using professional compressor, heat exchanger and optimum connection pipe, the compressor can startup under low power input. Provide maximum reliability, efficiency and quiet operation.

Two refrigerant circuits on larger units (above 12.5ton) provide efficient part load performance.

Standard low and high pressure safety switches.

Well compressor control

Compressor staging is controlled directly by the control temperature. When the control temperature is warmer than the cooling set point, cooling is staged up; when the control temperature is cooler than the cooling set point, cooling is staged down. However, a stage change can only occur when the control temperature is outside the dead band. Staging is constrained by an inter-stage delay timer. These constraints protect the compressors from short cycling while eliminating temperature variations near the diffusers.



3.2 Condenser

By using high-efficient thin wing, the condenser has high-efficient heat exchanger, the energy waste decreases greatly.

3.3 Evaporator

By using the high-efficient, super thin wing and inner grooved copper pipe, the evaporators get the higher capacity and the lower noise level.

3.4 The heat insulation of indoor unit

The heat insulation of indoor unit can availablely decrease heat loss.

3.5 The control and refrigerant cycle system

There are two independent refrigerant cycle systems, the capacity output is adjusted automatically by

different demand, save energy when one control system is in running according to low capacity output.

4. Optional collocation

4.1 Operation in high temperature

The air-conditioner designed for high temperature operating, even when the ambient temperature reaches up to 52°C (125°F) .

4.2 Strong air flow

Large air volume from the air inlet is forced ventilating by the condenser fan.

4.3 Minimum installation arrangement

The installation is fast and low cost with the easy installation and ready operation.

4.4 Pre-drilled duct flange

Flanges are prepared at the supply and return duct connections so that they can reduce duct connection work at site.



4.5 Quiet operation

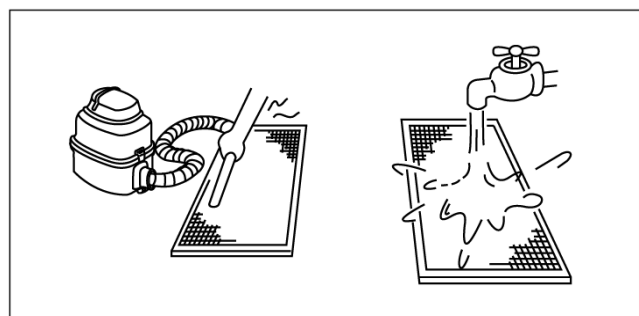
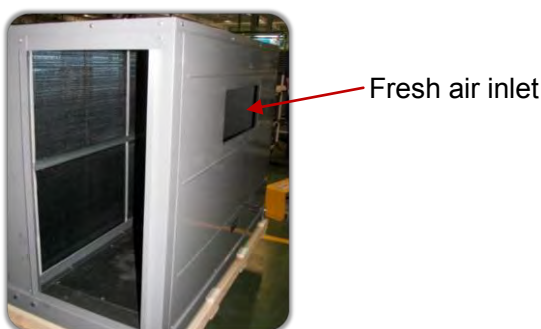
Noise and vibration have been effectively reduced by adopting new style hermetic compressor. The centrifugal fan and fan casing are optimum shaped for efficient and low noise operation.

5. Cabinet

5.1 Sloped drain pan and drain pipe.

5.2 Cabinets have forklift and lifting holes for easy transportation.

5.3 Cabinets have fresh air function, and the filter can be washable.



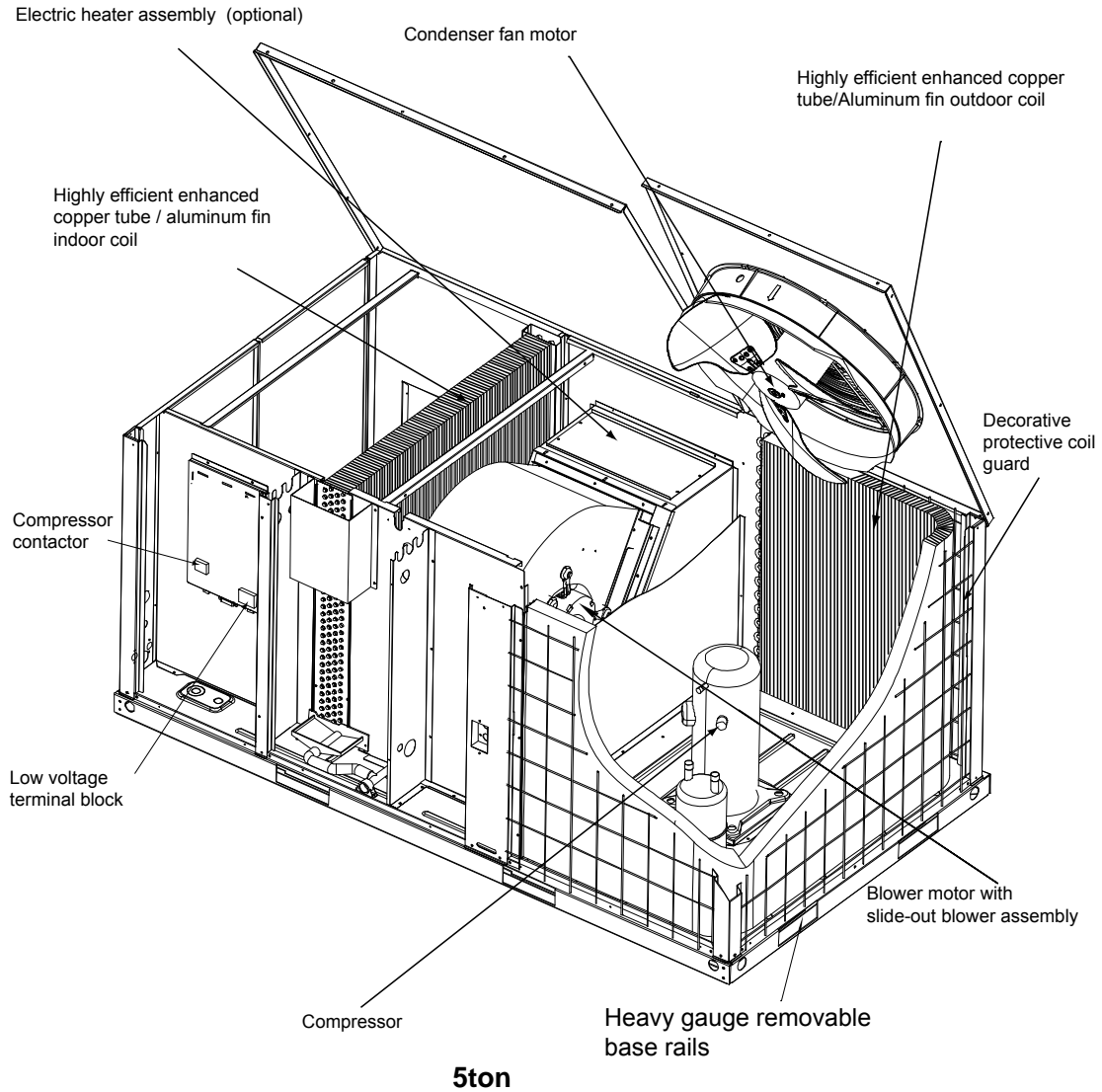
5.4 External pressure gauge ports.

With the gauge ports mounted externally, an accurate diagnostic of system operation can be performed quickly and easily without disrupting airflow.

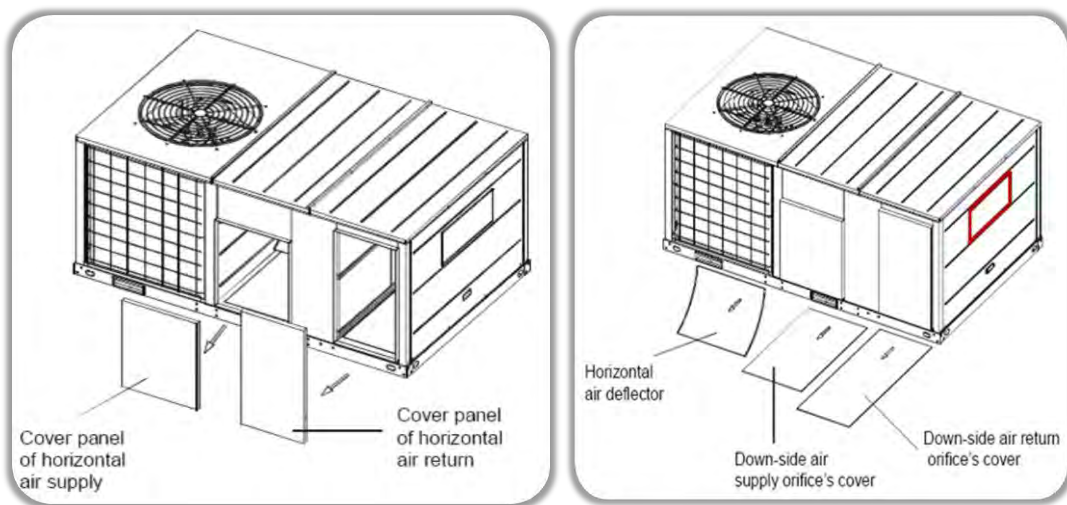
5.5 Durable construction.

Weather-resistant construction with capped seams and sloped top panels.

G90 galvanized heavy gauge plate conforming to ASTM-A-653, Zinc content of galvanized plate is 275 g/m² .



6. Optional supply/return airflow design, from side or bottom, It could be flexibly applied to multi-position. The rooftop and ground installation are optional.



7. Certificate of compressor

The compressors have CE certified, UL certified.

4. List of Functions

4.1 Standard specifications

A. General

The units are convertible airflow. All units shall be factory assembled, internally wired, fully charged refrigerant and 100% run tested to check cooling and heating operation, fan and blower rotation, and control sequence before leaving the factory. Wiring internal to the unit shall be colored and numbered for simplified identification. The unit is provided with an integral weather resistant control panel.

B. Unit enclosure

Panels are of heavy gauge, G-90 galvanized steel sheet with removable access panels, completely weatherized for outdoor installation and properly reinforced and brazed. Panels and access door are provided for inspection and access for all internal parts. Enclosures are provided with adequately reinforced points of support for setting in the unit. Steel sheet panels are zinc-coated and galvanized by the hot dip process of lock forming quality conforming to ASTM A 653 commercial weight G-90, followed by baked on electrostatic polyester dry powder coat paint, on all external panel.

C. Compressor

Compressors are scroll for all the models. They are provided with all the standard controls and accessories necessary for safe operation. These are equipped with internal motor protector; factory installed crank case heater and rubber vibration isolator for quiet and efficient operation.

D. Air-cooled condensing section

1. The air-cooled condensing section is enclosed within the unit housing and consists of condenser coil, fan(s) electric motor(s) and inherently protected compressor(s). Inner grooved copper tubes with wall thickness of 0.3mm, mechanically bonded to enhanced louvered aluminum fins are standard for all condenser coils. As an option, enhanced coated aluminum fins may be provided. Tube support sheets are galvanized steel, formed to provide structural strength.
2. Fans are propeller type, direct driven, upward discharge and provided with fan grille mounted on the casing.
3. Motors are totally enclosed air-over type with class F insulation. Inherent thermal protection is automatic reset type.

E. Evaporator coil section

1. All cooling coils are of enhanced louvered fins and inner grooved copper tubes with wall thickness of 0.3mm, mechanically bonded to aluminum fins. As option, enhanced coated aluminum fins may be provided. Tube support sheets are galvanized steel, formed to provide structural strength.
2. Drainage pan: An insulated drainage pan made of G-90 galvanized steel is provided, for additional corrosion protection.
3. Insulation: Insulation is supplied in adequate density and thickness for all units to prevent condensation from forming on the unit casing. Insulation meets the requirements of NFPA 90A and is protected against deterioration and erosion from air currents.

F. Evaporator fan

Evaporator fan is of centrifugal forward-curved blade design capable of handling total required CFM and static pressure in the low and the medium ranges. Casings are made of galvanized steel. Blower motors are of open drip proof type (totally enclosed types are optional) and conform to NEMA MG-1 and MG-2. Blower motor is mounted on adjustable base and secured by locking device. Pillow block bearing are selected for at 200,000 hours average life at design operating conditions. Shaft is turned, ground and

polished from solid steel. Fans and pulleys are keyed to shaft and designed for continuous operation at maximum motor horse power and fan speed. All rotating components and assemblies are statically and dynamically balanced and every unit is vibration tested before shipment from the factory.

G. Electronic thermostats

General information: A dedicated electronic thermostat is supplied with unit controls as standard. This thermostat controls one or two stage heating and cooling applications. The thermostat normally displays room temperature and mode of operation.

The temperature can be set by up/down buttons for both cooling and heating cycles. The thermostat also allows you to select continuous fan operation, or have the fan on intermittent operation with the equipment. It also displays the status of unit, thus providing maximum information for the end user.

4.2 Electric auxiliary heater

Electric auxiliary heaters are the resistance open coil type and conform to the requirements of UL 573 or equivalent. Electrical characteristics, kW capacities and number of stages are as indicated. Airflow switches, fusible links and overheat limit thermostats are provided to shut-off power in case of airflow failure/overheat. Electric heater kit is installed as an externally mounted kit at the supply opening.

4.3 Standard features/options/accessories

Description	Standard features	Options (factory installed)	Accessories (field installed)
Horizontal discharge	◆		
Compressor crankcase heaters	◆		
Evaporator fan-belt driven	◆		
Evaporator fan motor-ODP type(TEFC type optional)	◆		
Condenser fan-direct drive, propeller type(Except 5ton)	◆		
Condenser fan-direct drive, axial type(Only 5ton)	◆		
Condenser fan motor-totally enclosed air-over type	◆		
Electric auxiliary heater		◆	◆
Filter, Nylon(Thickness 10&12.5mm, except 5ton)	◆		
Filter, aluminum(Thickness 25mm)		◆	
Compressor overload protection	◆		
Low &high pressure switch	◆		
Cooling & heating thermostat	◆		
Condenser fan guard	◆		
Condenser coil guard	◆		
Wired controller KJR-12B	◆		
Wired controller KJR-23B			◆
Wired controller KJR-25B			◆
Drainage pipe			◆
Drainage outlet			◆
Snap ring			◆

5. Specifications

Nominal ton			5	6.2	6.2	6.2
Model (CB04)			TMC18T3	TMC22T3	TME22T3	TMH22T3
Cooling	Cooling Capacity 1	Btu/h	59000	75000	75000	75000
		kW	17	22	22	22
	Power Input 1	kW	5.6	7.7	7.7	7.7
	Cooling Capacity 2	Btu/h	51200	62700	62700	62700
		kW	15	18.4	18.4	18.4
Power Input 2	kW	6.7	8.6	8.6	8.6	
Heating	Heating Capacity	Btu/h	-	-	47800	89000
		kW	-	-	14	26
	Power Input	kW	-	-	14	7.6
Capacity steps		%	0/100	0/100	0/100	0/100
Electrical data	Power supply	V/Ph/Hz	380-415/3/50	380-400/3/50	380-400/3/50	380-400/3/50
	Max. input consumption	kW	8.1	10.9	10.9	11.3
	Max. current	A	18	20.1	20.1	21
Performance	Indoor fan air flow	CFM	1800	2600	2600	2600
	ESP	Pa	50	60	60	60
	EER 1	Btu/W.h	10.4	9.7	9.7	9.7
	EER 2	Btu/W.h	7.6	7.3	7.3	7.3
	COP	Btu/W.h	/	/	/	11.6
Indoor Coil	Number of rows		4	2	2	2
	Fin spacing	mm	1.6	1.6	1.6	1.6
		inch	1/16"	1/16"	1/16"	1/16"
	Tube diameter	mm	7.94	7.94	7.94	7.94
		inch	5/16"	5/16"	5/16"	5/16"
	Coil length X height	mm	837×704	880X847	880X847	880X847
		inch	32.9x27.7	34.6x33.3	34.6x33.3	34.6x33.3
Number of circuits		12	10	10	10	
Indoor fan	Type		FC centrifugal	FC centrifugal	FC centrifugal	FC centrifugal
	Quantity		1	1	1	1
	Diameter(Width)	mm	282	254	254	254
		inch	11.1	10	10	10
	Drive type		Direct	Belt	Belt	Belt
	Motors quantity		1	1	1	1
	Motor model		YDK550-4E	YFD90L-4-1.5	YFD90L-4-1.5	YFD90L-4-1.5
	Motor output	kW	0.55	1.5	1.5	1.5
Motor rpm	r/min	948	1400	1400	1400	
Compressor	Type		Scroll	Scroll	Scroll	Scroll
	Quantity		1	1	1	1
	Model		ZP67KCE-TFD-522	SH090A4ALC	SH090A4ALC	SH090A4ALC
	Brand		Copeland	Danfoss	Danfoss	Danfoss
	Capacity	Btu/h	55000	76090	76090	76090

	Input	kW	5.2	7.185	7.185	7.185
	Rated load Amps (RLA)	A	11.8	14.3	14.3	14.3
	Locked rotor Amps(LRA)	A	74	20	20	20
	Refrigerant oil charge	ml	1656	3000	3000	3000
Outdoor Coil	Number of rows		3	3	3	3
	Fin spacing	mm	1.3	1.6	1.6	1.6
		inch	1/16"	1/16"	1/16"	1/16"
	Tube diameter	mm	7.94	7.94	7.94	7.94
		inch	5/16"	5/16"	5/16"	5/16"
	Coil length X height	mm	(outer2124/middle2074/inner2024) X	1404X968	1404X968	1404X968
inch		(outer83.6/middle81.7/inn9.7er7) X 29.8	55.3 X38.1	55.3 X38.1	55.3 X38.1	
Number of circuits			16	21	21	21
Outdoor Fan	Type		Axial fan	Propeller	Propeller	Propeller
	Quantity		1	1	1	1
	Diameter(Width)	mm	600	650	650	650
		inch	23.62	25.6	25.6	25.6
	Drive type		direct	Direct	Direct	Direct
	Motors quantity		1	1	1	1
	Motor model		YDK230-6G-6	YS600-6P	YS600-6P	YS600-6P
	Motor output	kW	0.23	0.6	0.6	0.6
Motor rpm	r/min	915	930	930	930	
Outdoor sound level(sound pressure level)		dB(A)	62.9	70.3	70.3	70.3
Refrigerant	Type		R410A	R410A	R410A	R410A
	Refrigerant volume	Kg	5	5.2	5.2	5.2
	Refrigerant Control		Piston	Capillary	Capillary	Capillary
Controller			Wired controller	Wired controller	Wired controller	Wired controller
Operation temp		℃	17~30	17~30	17~30	17~30
Outdoor ambient temp	Cooling	℃	18~52	18~52	18~52	18~52
	Heating	℃	-	-	-	-10~24
Dimensions	Net(W×H×D)	mm	1920X840X1068	1630X1065X1068	1630X1065X1068	1630X1065X1068
		inch	75.6X33.1X42	64.2 X 41.9 X 42	64.2 X 41.9 X 42	64.2 X 41.9 X 42
	Packing(W×H×D)	mm	1955X870X1085	1700X1110X1160	1700X1110X1160	1700X1110X1160
		inch	77X34.3X42.7	66.9 X 43.7 X 45.7	66.9 X 43.7 X 45.7	66.9 X 43.7 X 45.7
Weight	Net weight	Kg(lbs)	230(507)	315(694.4)	323(712)	320(705.4)
	Gross weight	Kg(lbs)	234(516)	335(738.5)	343(756)	340(749.6)
Filter	Type		Nylon	Nylon	Nylon	Nylon
	Quantity	Pieces	1	2	2	2
	Size (W×H×D)	mm	410 X 495 X 25	447 X 885 X 10	447 X 885 X 10	447 X 885 X 10
		inch	16.1X19.5X1	17.6 X34.8 X0.4	17.6 X34.8 X0.4	17.6 X34.8 X0.4
Shipping	Qty/Per 20'/40'/40'HQ	Pieces	12/24/36	12/28/28	12/28/28	12/28/28

Note:

The data are based on the following conditions:

Cooling: (1): Indoor Temperature 26.7°C(80°F) DB / 19.4°C(67°F) WB; - Outdoor Temperature 35°C(95°F) DB.

(2): Indoor Temperature 26.7°C(80°F) DB / 19.4°C(67°F) WB; - Outdoor Temperature 46°C(114°F) DB.

Heating and Power input: Indoor Temperature 20°C(68°F) DB/15°C(59°F) WB; - Outdoor Temperature 7°C(44.6°F) DB/6°C(42.8°F) DB

Electrical data: Indoor Temperature 32°C(90°F) DB / 24°C(74°F) WB; - Outdoor Temperature 52°C(125°F) DB

Nominal ton		(Ton)	7.5	7.5	7.5	8.5	8.5
Model (CB04)			TMC26T3	TME26T3	TMH26T3	TMC30T3	TME30T3
Cooling	Cooling Capacity 1	Btu/h	89000	89000	89000	103000	103000
		kW	26	26	26	30	30
	Power Input 1	kW	9.2	9.2	9.2	10.4	10.4
	Cooling Capacity 2	Btu/h	74500	74500	74500	85600	85600
		kW	21.8	21.8	21.8	25.1	25.1
Power Input 2	kW	9.9	9.9	9.9	11.4	11.4	
Heating	Heating Capacity	Btu/h	-	47800	102000	-	71700
		kW	-	14	30	-	21
	Power Input	kW	-	14	8.8	-	21
Capacity steps		%	0/100	0/100	0/100	0/100	0/100
Electrical data	Power supply	V/Ph/Hz	380-400/3/50	380-400/3/50	380-400/3/50	380-400/3/50	380-400/3/50
	Max. input	kW	13	13	13.5	14	14
	Max. current	A	25	25	25.6	26.3	26.3
Performance	Indoor fan air flow	CFM	3000	3000	3000	3600	3600
	ESP	Pa	60	60	60	75	75
	EER 1	Btu/h/W	9.7	9.7	9.7	9.8	9.8
	EER 2	Btu/h/W	7.5	7.5	7.5	7.7	7.7
	COP	Btu/h/W	/	/	11.6	/	/
Indoor Coil	Number of rows		2	2	2	3	3
	Fin spacing	mm	1.6	1.6	1.6	1.4	1.4
		inch	1/16"	1/16"	1/16"	1/18"	1/18"
	Tube diameter	mm	7.94	7.94	7.94	7.94	7.94
		inch	5/16"	5/16"	5/16"	5/16"	5/16"
	Coil length X height	mm	880X847	880X847	880X847	1117X792	1117X792
inch		34.6x33.3	34.6x33.3	34.6x33.3	44 X31.2	44 X31.2	
Number of circuits			10	10	10	18	18
Indoor fan	Type		FC centrifugal	FC centrifugal	FC centrifugal	FC centrifugal	FC centrifugal
	Quantity		1	1	1	1	1
	Diameter(Width)	mm	254	254	254	305	305
		inch	10	10	10	12	12
	Drive type		Belt	Belt	Belt	Belt	Belt
	Motors quantity		1	1	1	1	1
	Motor model		YFD90L-4-1.5	YFD90L-4-1.5	YFD90L-4-1.5	YFD90L-4-1.5	YFD90L-4-1.5
	Motor output	kW	1.5	1.5	1.5	1.5	1.5
Motor rpm	r/min	1400	1400	1400	1400	1400	
Compressor	Type		Scroll	Scroll	Scroll	Scroll	Scroll
	Quantity		1	1	1	1	1
	Model		SH105A4ALC	SH105A4ALC	SH105A4ALC	SH120A4ALC	SH120A4ALC
	Brand		Danfoss	Danfoss	Danfoss	Danfoss	Danfoss
	Capacity	Btu/h	91500	91500	91500	102200	102200

	Input	kW	8.472	8.472	8.472	9.462	9.462
	Rated load Amps (RLA)	A	16.7	16.7	16.7	20.7	20.7
	Locked rotor Amps(LRA)	A	142	142	142	142	142
	Refrigerant oil charge	ml	3000	3000	3000	3300	3300
Outdoor Coil	Number of rows		3	3	3	3	3
	Fin spacing	mm	1.6	1.6	1.6	1.6	1.6
		inch	1/16"	1/16"	1/16"	1/16"	1/16"
	Tube diameter	mm	7.94	7.94	7.94	7.94	7.94
		inch	5/16"	5/16"	5/16"	5/16"	5/16"
	Coil length X height	mm	1404X968	1404X968	1404X968	1748X880	1748X880
inch		55.3 X38.1	55.3 X38.1	55.3 X38.1	68.8X34.6	68.8X34.6	
Number of circuits			21	21	21	20	20
Outdoor Fan	Type		Propeller	Propeller	Propeller	Propeller	Propeller
	Quantity		1	1	1	1	1
	Diameter(Width)	mm	650	650	650	700	700
		inch	25.6	25.6	25.6	27.6	27.6
	Drive type		Direct	Direct	Direct	Direct	Direct
	Motors quantity		1	1	1	1	1
	Motor model		YS600-6P	YS600-6P	YS600-6P	YS1100-6	YS1100-6
	Motor output	kW	0.6	0.6	0.6	1.1	1.1
Motor rpm	r/min	930	930	930	940	940	
Outdoor sound level(sound pressure level)		dB(A)	70.3	70.3	70.3	72.2	72.2
Refrigerant	Type		R410A	R410A	R410A	R410A	R410A
	Refrigerant	Kg	5.6	5.6	6	6.5	6.5
	Refrigerant Control		Capillary	Capillary	Capillary	Capillary	Capillary
Controller			Wired controller	Wired controller	Wired controller	Wired controller	Wired controller
Operation temp		°C	17~30	17~30	17~30	17~30	17~30
Outdoor ambient temp	Cooling	°C	18~52	18~52	18~52	18~52	18~52
	Heating	°C	-	-	-10~24	-	-
Dimensions	Net(W×H×D)	mm	1630X1065X1068			2165X1021X1335	
		inch	64.2 X 41.9 X 42			85.2 X 40.2 X 52.6	
	Packing(W×H×D)	mm	1700X1110X1160			2220X1140X1415	
		inch	66.9 X 43.7 X 45.7			87.4 X 44.9 X 55.7	
Weight	Net weight	Kg(lbs)	315(694.4)	323(712)	380(837.7)	445(981)	455(1003)
	Gross weight	Kg(lbs)	335(738.5)	343(756)	390(859.8)	458(1009.7)	468(1031.7)
Filter	Type		Nylon	Nylon	Nylon	Nylon	Nylon
	Quantity	Pieces	2	2	2	2	2
	Size (W×H×D)	mm	447 X 885 X 10	447 X 885 X 10	447 X 885 X 10	566 X 814 X 10	566 X 814 X 10
		inch	17.6 X34.8 X0.4	17.6 X34.8 X0.4	17.6 X34.8	22.3 X 32X0.4	22.3 X 32X0.4
Shipping	Qty/Per	Pieces	12/28/28	12/28/28	12/28/28	8/16/16	8/16/16

Note:

The data are based on the following conditions:

Cooling: (1): Indoor Temperature 26.7°C(80°F) DB / 19.4°C(67°F) WB; - Outdoor Temperature 35°C(95°F) DB.

(2): Indoor Temperature 26.7°C(80°F) DB / 19.4°C(67°F) WB; - Outdoor Temperature 46°C(114°F) DB.

Heating and Power input: Indoor Temperature 20°C(68°F) DB/15°C(59°F) WB; - Outdoor Temperature 7°C(44.6°F) DB/6°C(42.8°F) DB

Electrical data: Indoor Temperature 32°C(90°F) DB / 24°C(74°F) WB; - Outdoor Temperature 52°C(125°F) DB

Nominal ton			8.5	10	10	10
Model (CB04)			TMH30T3	TMC35T3	TME35T3	TMH35T3
Cooling	Cooling Capacity 1	Btu/h	103000	120000	120000	120000
		kW	30	35	35	35
	Power Input 1	kW	10.4	11.8	11.8	11.8
	Cooling Capacity 2	Btu/h	85600	100000	100000	100000
		kW	25.1	29.3	29.3	29.3
Power Input 2	kW	11.9	13.1	13.1	13.1	
Heating	Heating Capacity	Btu/h	120000	-	71700	126000
		kW	35	-	21	37
	Power Input	kW	10.1	-	21	10.9
Capacity steps		%	0/100	0/100	0/100	0/100
Electrical data	Power supply	V/Ph/Hz	380-400/3/50	380-400/3/50	380-400/3/50	380-400/3/50
	Max. input consumption	kW	14.8	16.8	16.8	17.6
	Max. current	A	27.5	30	30	31
Performance	Indoor fan air flow	CFM	3600	3800	3800	3800
	ESP	Pa	75	75	75	75
	EER 1	Btu/h/W	9.8	10.2	10.2	10.2
	EER 2	Btu/h/W	7.7	7.4	7.4	7.4
	COP	Btu/h/W	11.6	/	/	11.6
Indoor Coil	Number of rows		3	3	3	3
	Fin spacing	mm	1.4	1.4	1.4	1.4
		inch	1/18"	1/18"	1/18"	1/18"
	Tube diameter	mm	7.94	7.94	7.94	7.94
		inch	5/16"	5/16"	5/16"	5/16"
	Coil length X height	mm	1117X792	1117X792	1117X792	1117X792
		inch	44 X31.2	44 X31.2	44 X31.2	44 X31.2
Number of circuits		18	18	18	18	
Indoor fan	Type		FC centrifugal	FC centrifugal	FC centrifugal	FC centrifugal
	Quantity		1	1	1	1
	Diameter(Width)	mm	305	305	305	305
		inch	12	12	12	12
	Drive type		Belt	Belt	Belt	Belt
	Motors quantity		1	1	1	1
	Motor model		YFD90L-4-1.5	YFD90L-4-1.5	YFD90L-4-1.5	YFD90L-4-1.5
	Motor output	kW	1.5	1.5	1.5	1.5
Motor rpm	r/min	1400	1400	1400	1400	
Compressor	Type		Scroll	Scroll	Scroll	Scroll
	Quantity		1	1	1	1
	Model		SH120A4ALC	SH140A4ALC	SH140A4ALC	SH140A4ALC
	Brand		Danfoss	Danfoss	Danfoss	Danfoss
	Capacity	Btu/h	102200	119000	119000	119000
	Input	kW	9.462	10.862	10.862	10.862
	Rated load Amps (RLA)	A	20.7	21.4	21.4	21.4

	(RLA)					
	Locked rotor Amps(LRA)	A	142	147	147	147
	Refrigerant oil charge	ml	3300	3300	3300	3300
Outdoor Coil	Number of rows		3	3	3	3
	Fin spacing	mm	1.6	1.6	1.6	1.6
		inch	1.6	1/16"	1/16"	1/16"
	Tube diameter	mm	7.94	7.94	7.94	7.94
		inch	5/16"	5/16"	5/16"	5/16"
	Coil length X height	mm	1748X880	1748X880	1748X880	1748X880
		inch	68.8X34.6	68.8X34.6	68.8X34.6	68.8X34.6
Number of circuits		20	20	20	20	
Outdoor Fan	Type		Propeller	Propeller	Propeller	Propeller
	Quantity		1	1	1	1
	Diameter(Width)	mm	700	700	700	700
		inch	27.6	27.6	27.6	27.6
	Drive type		Direct	Direct	Direct	Direct
	Motors quantity		1	1	1	1
	Motor model		YS1100-6	YS1100-6	YS1100-6	YS1100-6
	Motor output	kW	1.1	1.1	1.1	1.1
Motor rpm	r/min	940	940	940	940	
Outdoor sound pressure level		dB(A)	72.2	72.2	72.2	72.2
Refrigerant	Type		R410A	R410A	R410A	R410A
	Refrigerant volume	Kg	6.8	6.7	6.7	7.5
	Refrigerant Control		Capillary	Capillary	Capillary	Capillary
Standard controller			KJR-12B	KJR-12B	KJR-12B	KJR-12B
Operation temp		°C	17~30	17~30	17~30	17~30
Outdoor ambient temp	Cooling	°C	18~52	18~52	18~52	18~52
	Heating	°C	-10~24	-	-	-10~24
Dimensions	Net(W×H×D)	mm	2165X1002X1335	2165X1002X1335	2165X1002X1335	2165X1002X1335
	Packing(W×H×D)	mm	2220X1040X1415	2220X1040X1415	2220X1040X1415	2220X1040X1415
Weight	Net weight	Kg(lbs)	450(990)	445(981)	455(1003)	450(992)
	Gross weight	Kg(lbs)	463(1018.6)	458(1009.7)	468(1031.7)	463(1020.7)
Filter	Type		Nylon	Nylon	Nylon	Nylon
	Quantity	Pieces	2	2	2	2
	Size (W×H×D)	mm	566 X 814 X 10	566 X 814 X 10	566 X 814 X 10	566 X 814 X 10
Shipping	Qty/Per 20'/40'/40'HQ	Pieces	8/16/16	8/16/16	8/16/16	8/16/16

Note:

The data are based on the following conditions:

Cooling: (1): Indoor Temperature 26.7°C(80°F) DB / 19.4°C(67°F) WB; - Outdoor Temperature 35°C(95°F) DB.

(2): Indoor Temperature 26.7°C(80°F) DB / 19.4°C(67°F) WB; - Outdoor Temperature 46°C(114°F) DB.

Heating and Power input: Indoor Temperature 20°C(68°F) DB/15°C(59°F) WB; - Outdoor Temperature 7°C(44.6°F) DB/6°C(42.8°F) DB

Electrical data: Indoor Temperature 32°C(90°F) DB / 24°C(74°F) WB; - Outdoor Temperature 52°C(125°F) DB

Nominal ton			12.5	12.5	15	15	15
Model (CB04)			TMC43T3	TMH43T3	TMC53T3	TME53T3	TMH53T3
Cooling	Cooling Capacity 1	Btu/h	150000	150000	180000	180000	180000
		kW	43	43	53	53	53
	Power Input 1	kW	15.3	15.3	18.6	18.6	18.6
	Cooling Capacity 2	Btu/h	125600	125600	159600	159600	159600
		kW	34.2	34.2	46.7	46.7	46.7
Power Input 2	kW	16.8	16.8	21.3	21.3	21.3	
Heating	Heating Capacity	Btu/h	-	175000	-	102400	191000
		kW	-	49	-	30	56
	Power Input	kW	-	14.2	-	30	17.5
Capacity steps		%	0/50/100	0/50/100	0/50/100	0/50/100	0/50/100
Electrical data	Power supply	V/Ph/Hz	380-415/3/50	380-415/3/50	380-400/3/50	380-400/3/50	380-400/3/50
	Max. input consumption	kW	22	22.2	27	27	27.8
	Max. current	A	41.6	41.8	53	53	54.7
Performance	Indoor air flow	CFM	5200	5200	6600	6600	6600
	ESP	Pa	90	90	90	90	90
	EER 1	Btu/W.h	9.8	9.8	9.7	9.7	9.7
	EER 2	Btu/W.h	7.5	7.5	7.5	7.5	7.5
	COP	Btu/W.h	-	11.8	/	/	11
Indoor Coil	Number of rows		3	3	3	3	3
	Fin spacing	mm	1.5	1.5	1.4	1.4	1.4
		inch	1/16"	1/16"	1/18"	1/18"	1/18"
	Tube diameter	mm	7	7	7.94	7.94	7.94
		inch	9/32"	9/32"	5/16"	5/16"	5/16"
	Coil length X height	mm	1182X1008	1182X1008	1607X880	1607X880	1607X880
inch		46.5x40	46.5x40	63.3X346.	63.3X346.	63.3X346.	
Number of circuits			16+8	16+8	10+10	10+10	10+10
Indoor fan	Type		Centrifugal	Centrifugal	FC centrifugal	FC centrifugal	FC centrifugal
	Quantity		1	1	1	1	1
	Diameter(Width)	mm	383	383	383	383	383
		inch	15	15	15	15	15
	Drive type		Belt	Belt	Belt	Belt	Belt
	Motors quantity		1	1	1	1	1
	Motor model		Y2-100L2-4	Y2-100L2-4	YFD132S-4-5.5	YFD132S-4-5.5	YFD132S-4-5.5
	Motor output	kW	2.7	2.7	5.5	5.5	5.5
Motor rpm	r/min	1420	1420	1440	1440	1440	
Compressor	Type		Scroll	Scroll	Scroll	Scroll	Scroll
	Quantity		2	2	2	2	2
	Model		ZP61KCE-TFD-522 +ZP120KCE-TFD-522	ZP61KCE-TFD-522 +ZP120KCE-TFD-522	SH105A4ALC	SH105A4ALC	SH105A4ALC
	Brand		Copeland	Copeland	Danfoss	Danfoss	Danfoss
	Capacity	Btu/h	50000+99500	50000+99500	91500	91500	91500
	Input	kW	4.75+9.2	4.75+9.2	8.472	8.472	8.472
	Rated load Amps (RLA)	A	10.9+20	10.9+20	16.7	16.7	16.7
	Locked rotor Amps(LRA)	A	64+118	64+118	156	156	156

	Refrigerant oil charge	ml	1685+3253	1685+3253	3000	3000	3000
Outdoor Coil	Number of rows		3.5	4.5	3	3	3
	Fin spacing	mm	1.5	1.5	1.6	1.6	1.6
		inch	1/16"	1/16"	1/16"	1/16"	1/16"
	Tube diameter	mm	7	7	7.94	7.94	7.94
		inch	9/32"	9/32"	5/16"	5/16"	5/16"
	Coil length X height	mm	1770X1050+854X1050	1770X1050+854X1050	2179X1100	2179X1100	2179X1100
inch		70x41+33.6x41	70x41+33.6x41	85.8X43.3	85.8X43.3	85.8X43.3	
	Number of circuits		16+9	16+9	12+12	12+12	12+12
Outdoor Fan	Type		Propeller	Propeller	Propeller	Propeller	Propeller
	Quantity		1	1	2	2	2
	Diameter(Width)	mm	650	650	650	650	650
		inch	25-19/32	25-19/32	25.6	25.6	25.6
	Drive type		Direct	Direct	Direct	Direct	Direct
	Motors quantity		1	1	2	2	2
	Motor model		YS1100-6	YS1100-6	YS600-6P	YS600-6P	YS600-6P
	Motor output	kW	1.3	1.3	0.6 X 2	0.6 X 2	0.6 X 2
Motor rpm	r/min	940	940	930	930	930	
Outdoor sound pressure level		dB(A)	72.3	72.3	72.4	72.4	72.4
Refrigerant	Type		R410A	R410A	R410A	R410A	R410A
	Refrigerant volume	Kg	4.6+2.2	5.4+3	5.8 X 2	5.8 X 2	6.5 X 2
	Refrigerant Control		Capillary	Capillary	Capillary	Capillary	Capillary
Standard controller			KJR-12B	KJR-12B	KJR-12B	KJR-12B	KJR-12B
Operation temp		°C	17~30	17~30	17~30	17~30	17~30
Outdoor ambient temp	Cooling	°C	18~52	18~52	18~52	18~52	18~52
	Heating	°C	-	-10~24	-	-	-10~24
Dimensions	Net(W×H×D)	mm	2230x1245x1400	2230x1245x1400	2229X1245X1825	2229 X1245X1825	2229 X1245X1825
	Packing(W×H×D)	mm	2265x1280x1455	2265x1280x1455	2236 X1280X1855	2236 X1280X1855	2236 X1280X1855
Weight	Net weight	kg(lbs)	520	550	710/ (1565.3)	720/ (1609.3)	730/ (1609.3)
	Gross weight	kg(lbs)	535	565	730(1609.3)	740(1653.4)	750(1653.4)
Filter	Type		Nylon	Nylon	Nylon	Nylon	Nylon
	Quantity	Pieces	2	2	2	2	2
	Size (W×H×D)	mm	605x1045x12.5	605x1045x12.5	900 X 815 X 12.5	900 X 815 X 12.5	900 X 815 X 12.5
Shipping	Qty'Per 20'/40'/40'HQ	Pieces	4/8/16	4/8/16	3/6/12	3/6/12	3/6/12

Note:

The data are based on the following conditions:

Cooling: (1): Indoor Temperature 26.7°C(80°F) DB / 19.4°C(67°F) WB; - Outdoor Temperature 35°C(95°F) DB.

(2): Indoor Temperature 26.7°C(80°F) DB / 19.4°C(67°F) WB; - Outdoor Temperature 46°C(114°F) DB.

Heating and Power input: Indoor Temperature 20°C(68°F) DB/15°C(59°F) WB; - Outdoor Temperature 7°C(44.6°F) DB/6°C(42.8°F) DB

Electrical data: Indoor Temperature 32°C(90°F) DB / 24°C(74°F) WB; - Outdoor Temperature 52°C(125°F) DB

Nominal ton			17.5	17.5	17.5	20	20
Model (CB04)			TMC62T3	TME60T3	TMH60T3	TMC70T3	TME70T3
Cooling	Cooling Capacity 1	Btu/h	210000	210000	210000	240000	240000
		kW	60	60	60	70	70
	Power Input 1	kW	20	20	20	23.6	23.6
	Cooling Capacity 2	Btu/h	180600	180600	180600	213000	213000
		kW	52.9	52.9	52.9	62.4	62.4
Power Input 2	kW	23.5	23.5	23.5	27.7	27.7	
Heating	Heating Capacity	Btu/h	-	102400	191000	-	133100
		kW	-	30	67	-	39
	Power Input	kW	-	30	19.8	-	39
Capacity steps		%	0/50/100	0/50/100	0/50/100	0/50/100	0/50/100
Electrical data	Power supply	V/Ph/Hz	380-400/3/50	380-400/3/50	380-400/3/50	380-400/3/50	380-400/3/50
	Max. input consumption	kW	30.1	30.1	30.7	35	35
	Max. current	A	57.8	57.8	58.2	66	66
Performance	Indoor fan air flow	CFM	7300	7300	7300	8400	8400
	ESP	Pa	90	90	90	100	100;;
	EER 1	Btu/W.h	10.2	10.2	10.2	10.1	10.1
	EER 2	Btu/W.h	7.7	7.7	7.7	7.6	7.6
	COP	Btu/W.h	/	/	11.5	/	/
Indoor Coil	Number of rows		3	3	3	3	3
	Fin spacing	mm	1.4	1.4	1.4	1.6	1.6
		inch	1/18"	1/18"	1/18"	1/16"	1/16"
	Tube diameter	mm	7.94	7.94	7.94	7.94	7.94
		inch	5/16"	5/16"	5/16"	5/16"	5/16"
	Coil length X height	mm	1607X880	1607X880	1607X880	1882X1012	1882X1012
inch		63.3X346.	63.3X346.	63.3X346.	74.1X39.8	74.1X39.8	
Number of circuits			10+10	10+10	10+10	11+12	11+12
Indoor fan	Type		FC centrifugal	FC centrifugal	FC centrifugal	FC centrifugal	FC centrifugal
	Quantity		1	1	1	1	1
	Diameter(Width)	mm	383	383	383	452	452
		inch	15	15	15	17.8	17.8
	Drive type		Belt	Belt	Belt	Belt	Belt
	Motors quantity		1	1	1	1	1
	Motor model		YFD132S-4-5.5	YFD132S-4-5.5	YFD132S-4-5.5	YFD132S-4-5.5	YFD132S-4-5.5
	Motor output	kW	5.5	5.5	5.5	5.5	5.5
Motor rpm	r/min	1440	1440	1440	1440	1440	
Compressor	Type		Scroll	Scroll	Scroll	Scroll	Scroll
	Quantity		2	2	2	2	2
	Model		SH120A4ALC	SH105A4ALC	SH120A4ALC	SH140A4ALC	SH140A4ALC
	Brand		Danfoss	Danfoss	Danfoss	Danfoss	Danfoss
	Capacity	Btu/h	102200	102200	102200	119000	119000
	Input	kW	9.462	9.462	9.462	10.862	10.862
	Rated load Amps (RLA)	A	20.7	20.7	20.7	21.4	21.4
	Locked rotor Amps(LRA)	A	142	142	142	147	147

	Refrigerant oil charge	ml	3300	3300	3300	3300	3300
Outdoor Coil	Number of rows		3	3	3	4	4
	Fin spacing	mm	1.6	1.6	1.6	1.6	1.6
		inch	1/16"	1/16"	1/16"	1/16"	1/16"
	Tube diameter	mm	7.94	7.94	7.94	7.94	7.94
		inch	5/16"	5/16"	5/16"	5/16"	5/16"
	Coil length X height	mm	2179X1100	2179X1100	2179X1100	2650X1100	2650X1100
inch		85.8X43.3	85.8X43.3	85.8X43.3	104.3X43.3	104.3X43.3	
	Number of circuits		12+12	12+12	12+12	11+12	11+12
Outdoor Fan	Type		Propeller	Propeller	Propeller	Propeller	Propeller
	Quantity		2	2	2	2	2
	Diameter(Width)	mm	650	650	650	750	750
		inch	25.6	25.6	25.6	29.5	29.5
	Drive type		Direct	Direct	Direct	Direct	Direct
	Motors quantity		2	2	2	2	2
	Motor model		YS1100-6	YS1100-6	YS1100-6	YS1500-6	YS1500-6
	Motor output	kW	1.3 X 2	1.3 X 2	1.3 X 2	1.5 X 2	1.5 X 2
Motor rpm	r/min	940	940	940	910	910	
Outdoor sound pressure level		dB(A)	72.4	72.4	72.4	74.2	74.2
Refrigerant	Type		R410A	R410A	R410A	R410A	R410A
	Refrigerant volume	Kg	5.2X 2	5.2 X 2	5.6 X 2	8.1 X 2	8.1 X 2
	Refrigerant Control		Capillary	Capillary	Capillary	Capillary	Capillary
Standard controller			KJR-12B	KJR-12B	KJR-12B	KJR-12B	KJR-12B
Operation temp		℃	17~30	17~30	17~30	17~30	17~30
Outdoor ambient temp	Cooling	℃	18~52	18~52	18~52	18~52	18~52
	Heating	℃	-	-	-10~24	-	-
Dimensions	Net(W×H×D)	mm	2229 X1245X1825	2229 X1245X1825	2229 X1245X1825	2753 X1245X2157	2753 X1245X2157
	Packing(W×H×D)	mm	2236 X1280X1855	2236 X1280X1855	2236 X1280X1855	2760 X1280X2175	2760 X1280X2175
Weight	Net weight	Kg(lbs)	710/ (1565.3)	720/ (1609.3)	730/ (1609.3)	925(2039.2)	940(2072.3)
	Gross weight	Kg(lbs)	730(1609.3)	740(1653.4)	750(1653.4)	940(2072.3)	955(2105.4)
Filter	Type		Nylon	Nylon	Nylon	Nylon	Nylon
	Quantity	Pieces	2	2	2	3	3
	Size (W×H×D)	mm	900 X 815 X 12.5	900 X 815 X 12.5	900 X 815 X 12.5	640 X 1008 X 12.5	640 X 1008 X 12.5
Shipping	Qty/Per 20'/40'/40'HQ	Pieces	3/6/12	3/6/12	3/6/12	3/4/8	3/4/8

Note:

The data are based on the following conditions:

Cooling: (1): Indoor Temperature 26.7°C(80°F) DB / 19.4°C(67°F) WB; - Outdoor Temperature 35°C(95°F) DB.

(2): Indoor Temperature 26.7°C(80°F) DB / 19.4°C(67°F) WB; - Outdoor Temperature 46°C(114°F) DB.

Heating and Power input: Indoor Temperature 20°C(68°F) DB/15°C(59°F) WB; - Outdoor Temperature 7°C(44.6°F) DB/6°C(42.8°F) DB

Electrical data: Indoor Temperature 32°C(90°F) DB / 24°C(74°F) WB; - Outdoor Temperature 52°C(125°F) DB

Nominal ton			20	30	30	30
Model			TMH70T3	TMC105T3	TME105T3	TMH105T3
Cooling	Cooling Capacity 1	Btu/h	240000	358000	358000	358000
		kW	70	105	105	105
	Power Input 1	kW	23.6	35.8	35.8	35.8
	Cooling Capacity 2	Btu/h	213000	328600	328600	328600
		kW	62.4	96	96	96
Power Input 2	kW	27.7	43.8	43.8	43.8	
Heating	Heating Capacity	Btu/h	256000	-	133000	358000
		kW	75	-	39	105
	Power Input	kW	23.4	-	39	34.8
Capacity steps		%	0/50/100	0/50/100	0/50/100	0/50/100
Electrical data	Power supply	V/Ph/Hz	380-400/3/50	380-400/3/50	380-400/3/50	380-400/3/50
	Max. input consumption	kW	35.7	48	48	48.6
	Max. current	A	69.2	92	92	93.1
Performance	Indoor fan air flow	CFM	8400	12000	12000	12000
	ESP	Pa	100	250	250	250
	EER 1	Btu/W.h	10.1	10.8	10.8	10.8
	EER 2	Btu/W.h	7.6	7.5	7.5	7.5
	COP	Btu/W.h	11	-	-	10.3
Indoor Coil	Number of rows		3	3	3	3
	Fin spacing	mm	1.6	1.5	1.5	1.5
		inch	1/16"	1/16"	1/16"	1/16"
	Tube diameter	mm	7.94	7	7	7
		inch	5/16"	9/32"	9/32"	9/32"
	Coil length X height	mm	1882X1012	1882X1428	1882X1428	1882X1428
inch		74.1X39.8	74.1X56.2	74.1X56.2	74.1X56.2	
Number of circuits			11+12	17+17	17+17	17+17
Indoor fan	Type		FC centrifugal	FC centrifugal	FC centrifugal	FC centrifugal
	Quantity		1	1	1	1
	Diameter(Width)	mm	452	500	500	500
		inch	17.8	19.7	19.7	19.7
	Drive type		Belt	Belt	Belt	Belt
	Motors quantity		1	1	1	1
	Motor model		YFD132S-4-5.5	Y(2)132M-4-7.5	Y(2)132M-4-7.5	Y(2)132M-4-7.5
	Motor output	kW	5.5	7.5	7.5	7.5
Motor rpm	r/min	1440	1440	1440	1440	
Compressor	Type		Scroll	Scroll	Scroll	Scroll
	Quantity		2	2	2	2
	Model		SH140A4ALC	SH184A4ALC	SH184A4ALC	SH184A4ALC
	Brand		Danfoss	Danfoss	Danfoss	Danfoss
	Capacity	Btu/h	119000	152426	152426	152426
	Input	kW	10.862	13.732	13.732	13.732
	Rated load Amps (RLA)	A	21.4	27.6	27.6	27.6
	Locked rotor Amps(LRA)	A	147	197	197	197
Refrigerant oil charge	ml	3300	3600	3600	3600	
Outdoor Coil	Number of rows		4	4	4	4

	Fin spacing	mm	1.6	1.5	1.5	1.5
		inch	1/16"	1/16"	1/16"	1/16"
	Tube diameter	mm	7.94	7	7	7
		inch	5/16"	9/32"	9/32"	9/32"
	Coil length X height	mm	2650X1100	2650X1512	2650X1512	2650X1512
		inch	104.3X43.3	104.3X59.5	104.3X59.5	104.3X59.5
Number of circuits			11+12	12+12	12+12	12+12
Outdoor Fan	Type		Propeller	Propeller	Propeller	Propeller
	Quantity		2	2	2	2
	Diameter(Width)	mm	750	750	750	750
		inch	29.5	29.5	29.5	29.5
	Drive type		Direct	Direct	Direct	Direct
	Motors quantity		2	2	2	2
	Motor model		YS1500-6	YS1500-6	YS1500-6	YS1500-6
	Motor output	KW	1.5 X 2	1.5 X 2	1.5 X 2	1.5 X 2
Motor rpm	r/min	910	910	910	910	
Outdoor sound pressure level		dB(A)	74.2	75.1	75.1	75.4
Refrigerant	Type		R410A	R410A	R410A	R410A
	Refrigerant volume	Kg	8.8 X 2	8.3 X 2	8.3 X 2	9.4 X 2
	Refrigerant Control		Capillary	Capillary	Capillary	Capillary
Standard controller			KJR-12B	KJR-12B	KJR-12B	KJR-12B
Operation temp		°C	17~30	17~30	17~30	17~30
Outdoor ambient temp	Cooling	°C	18~52	18~52	18~52	18~52
	Heating	°C	-10~24			-10~24
Dimensions	Net(W×H×D)	mm	2753 X1245X2157	2753 X1674X2157	2753 X1674X2157	2753 X1674X2157
	Packing(W×H×D)	mm	2760 X1280X2175	2755 X1690X2180	2755 X1690X2180	2755 X1690X2180
Weight	Net weight	Kg(lbs)	940(2072.3)	1100(2425)	1130(2491.2)	1130(2491.2)
	Gross weight	Kg(lbs)	955(2105.4)	1110(2447)	1140(2513.2)	1140(2513.2)
Filter	Type		Nylon	Nylon	Nylon	Nylon
	Quantity	Pieces	3	3	3	3
	Size (W×H×D)	mm	640 X 1008 X 12.5	1492 X 640 X 12.5	1492 X 640 X 12.5	1492 X 640 X 12.5
Shipping	Qty/Per 20'/40'/40'HQ	Pieces	3/4/8	2/4/4	2/4/4	2/4/4

Note:

The data are based on the following conditions:

Cooling: (1): Indoor Temperature 26.7°C(80°F) DB / 19.4°C(67°F) WB; - Outdoor Temperature 35°C(95°F) DB.

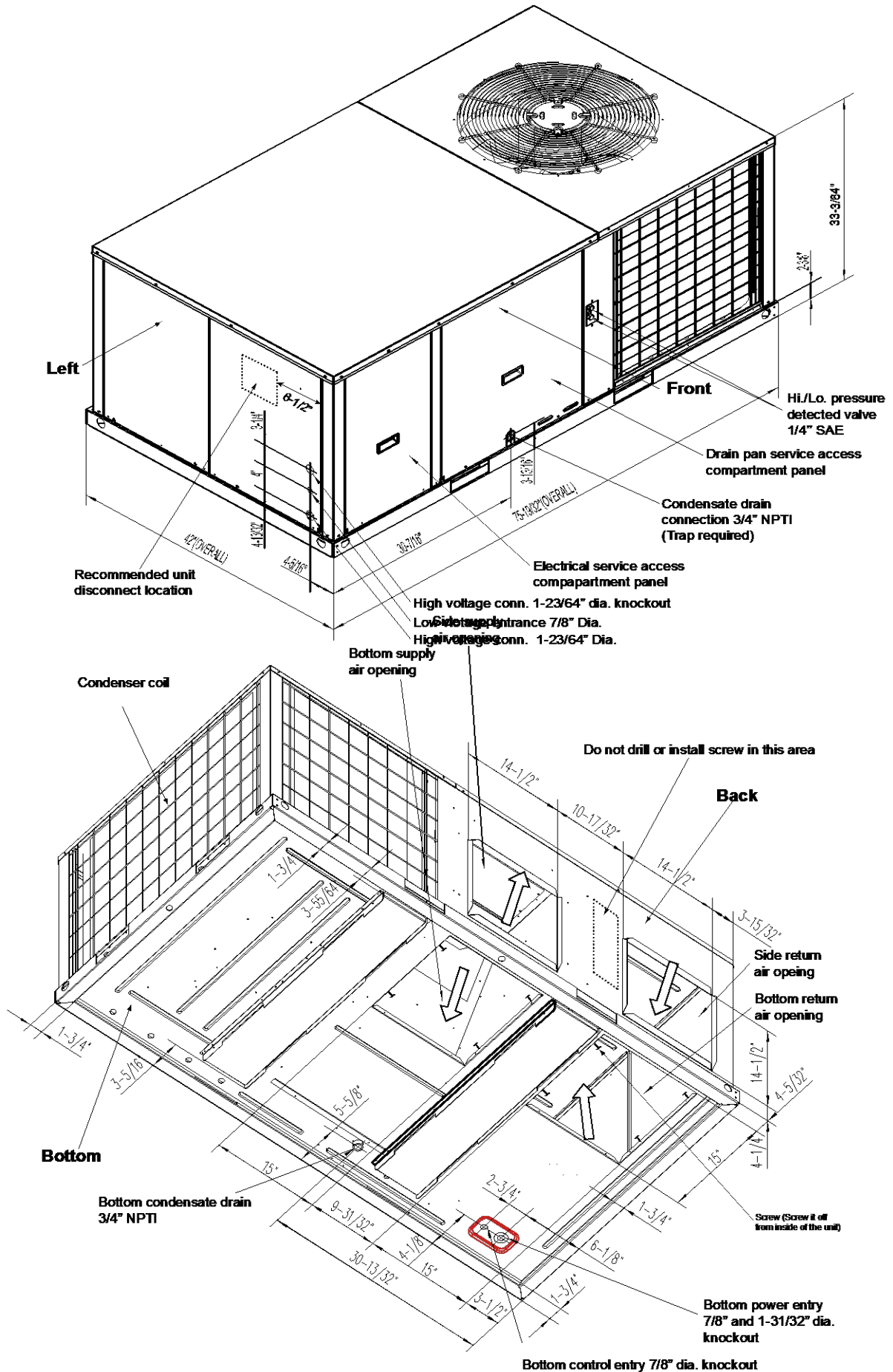
(2): Indoor Temperature 26.7°C(80°F) DB / 19.4°C(67°F) WB; - Outdoor Temperature 46°C(114°F) DB.

Heating and Power input: Indoor Temperature 20°C(68°F) DB/15°C(59°F) WB; - Outdoor Temperature 7°C(44.6°F) DB/6°C(42.8°F) DB

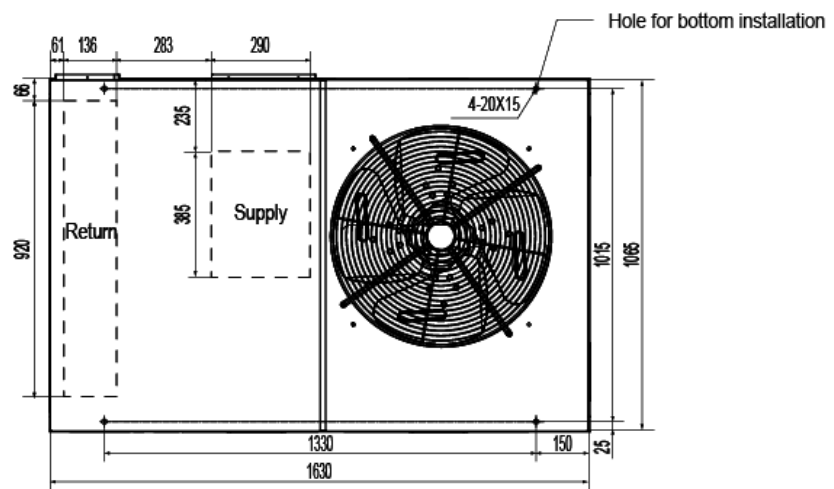
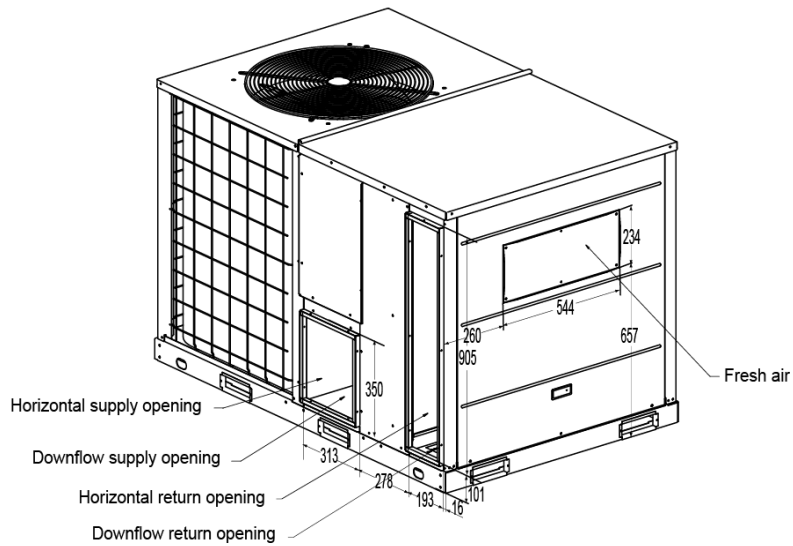
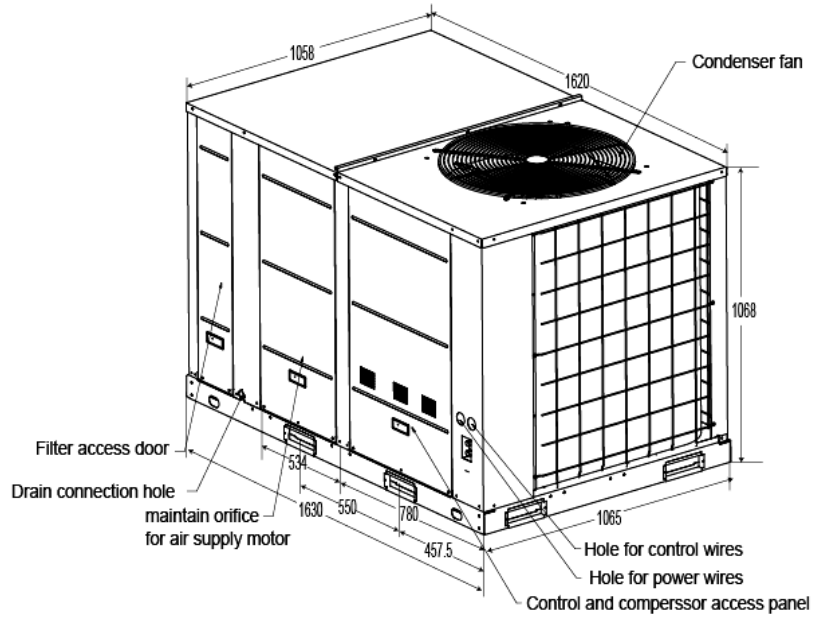
Electrical data: Indoor Temperature 32°C(90°F) DB / 24°C(74°F) WB; - Outdoor Temperature 52°C(125°F) DB

6. Dimensional Drawings

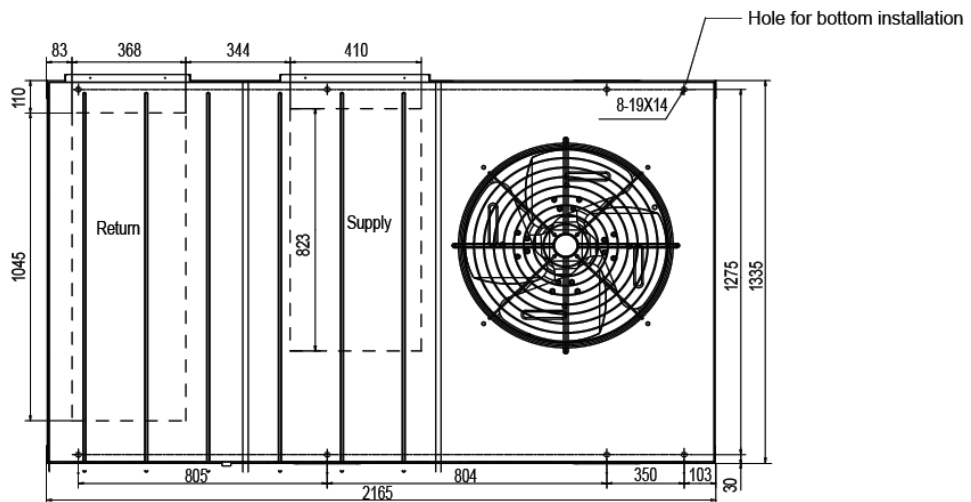
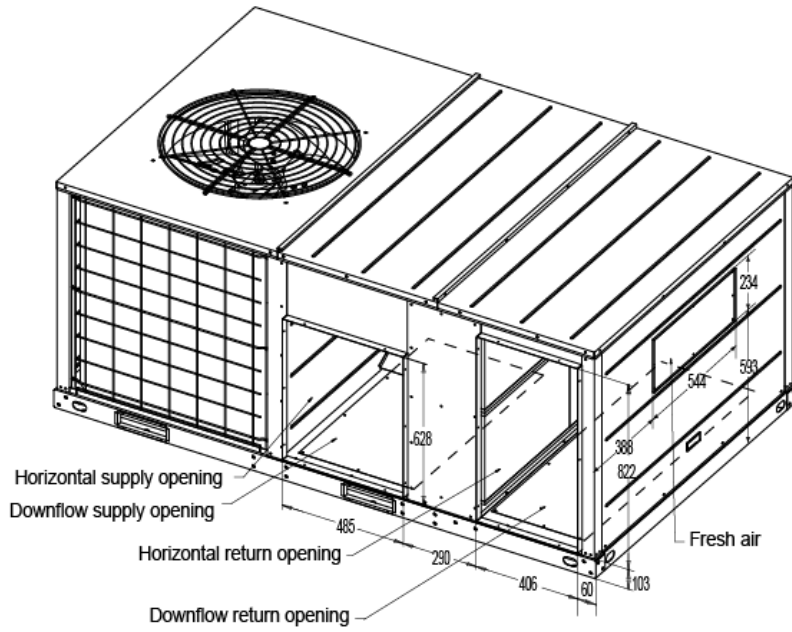
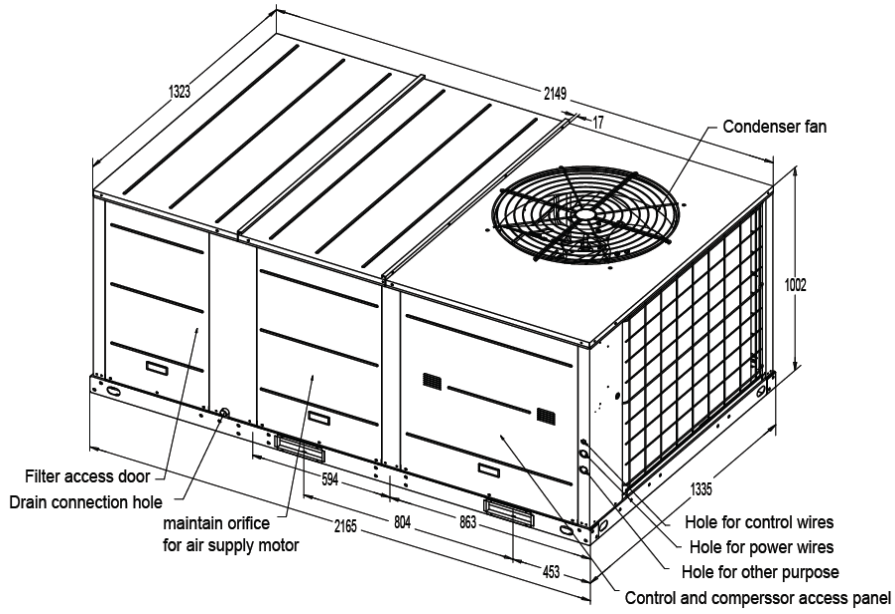
6.1 5 ton



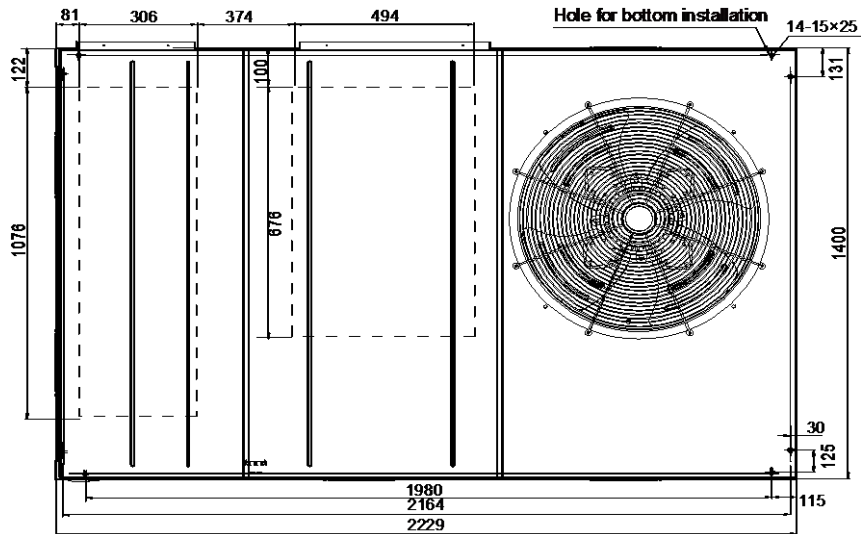
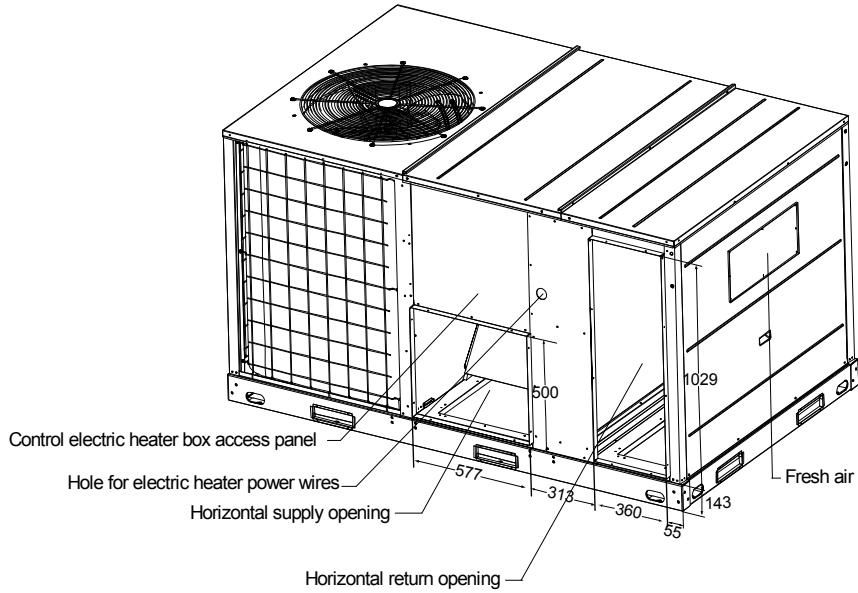
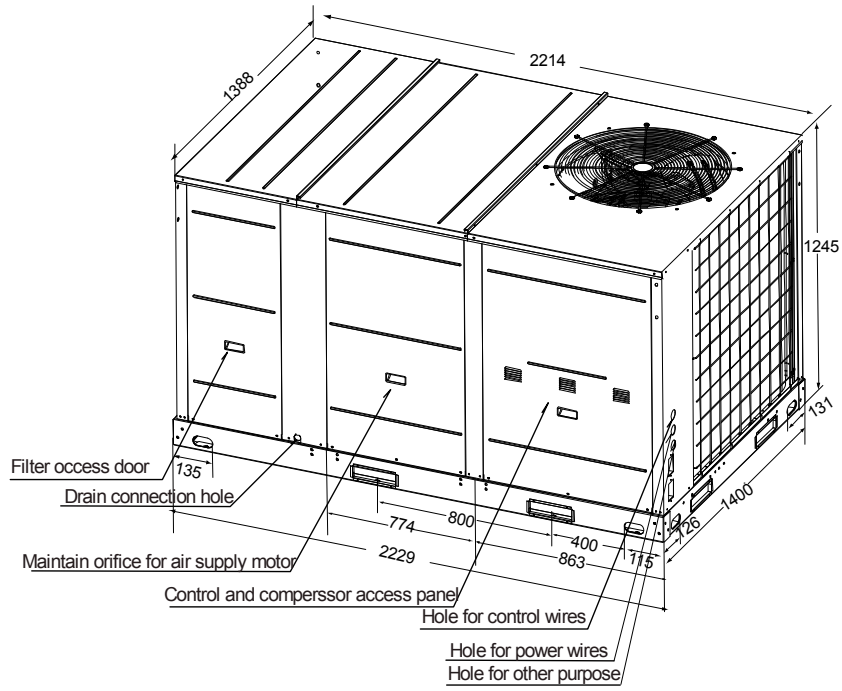
6.2 6.2 & 7.5 ton



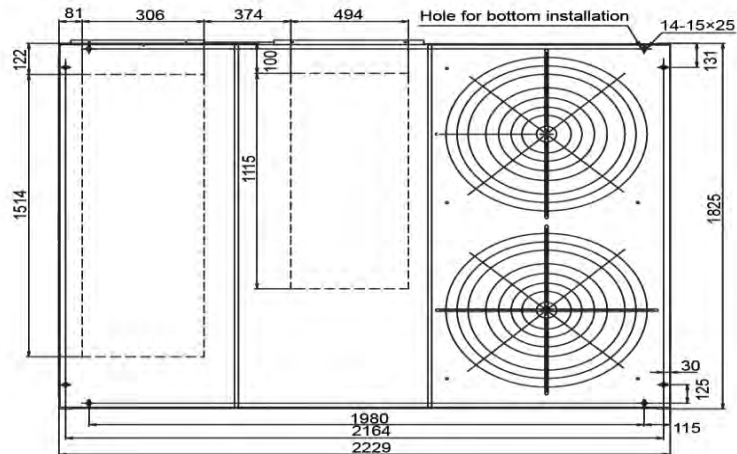
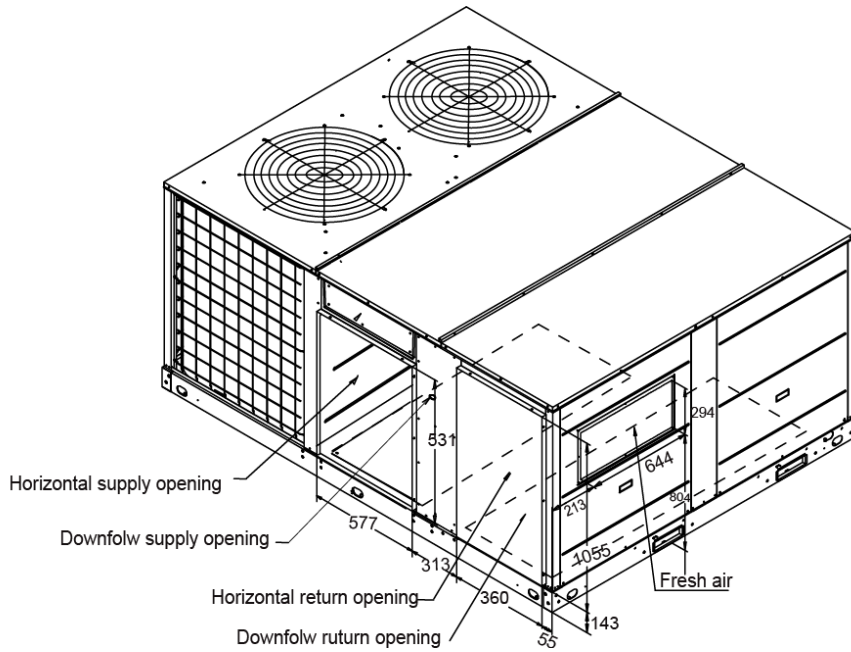
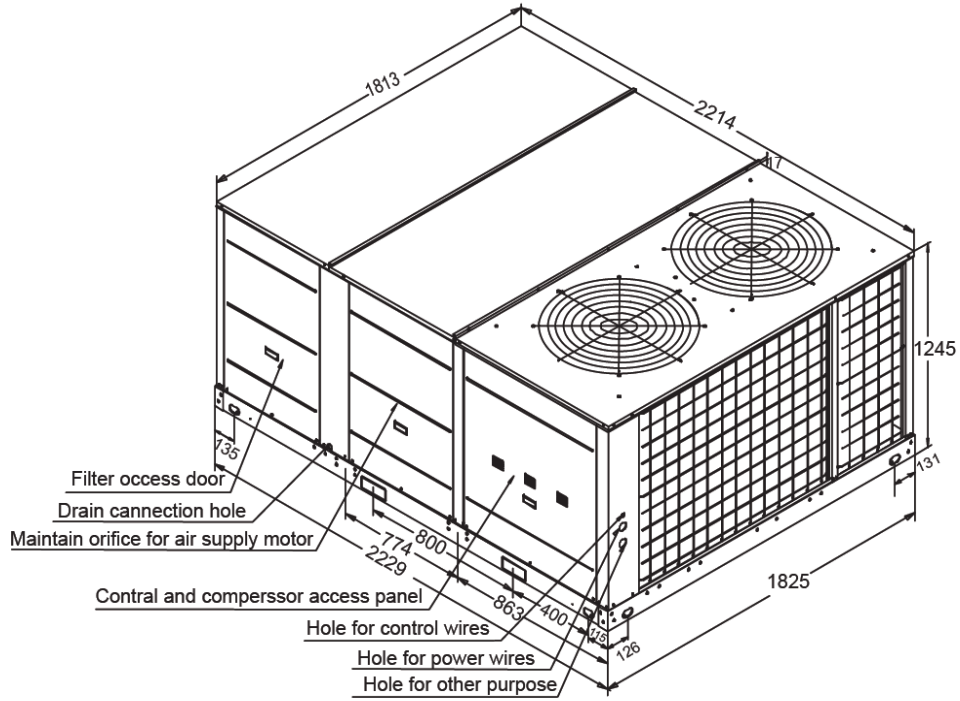
6.3 8.5 & 10 ton



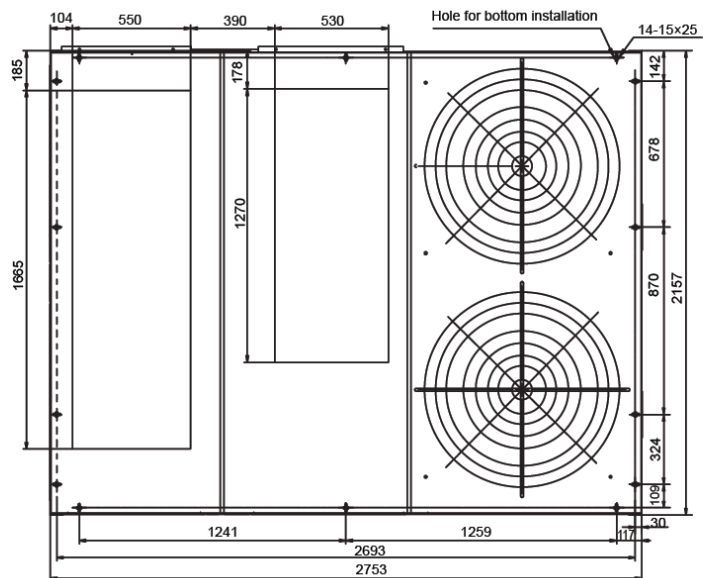
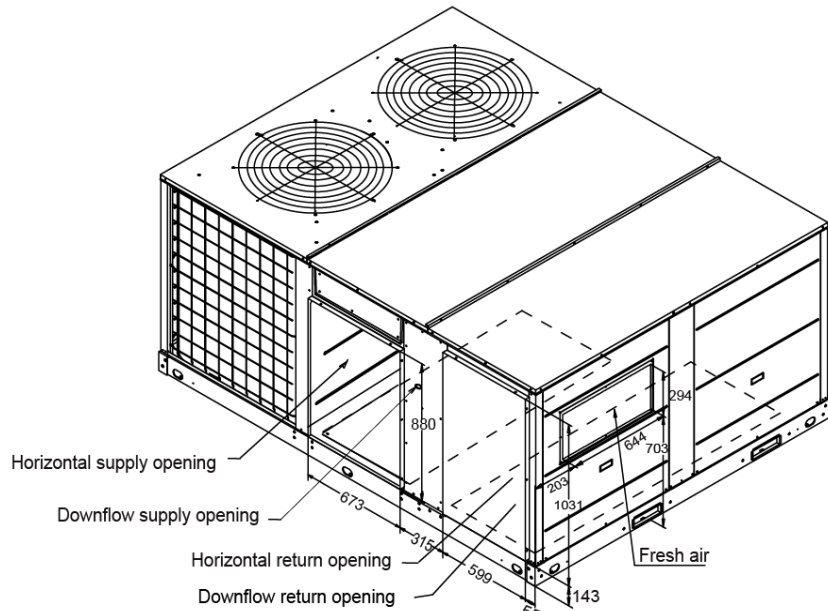
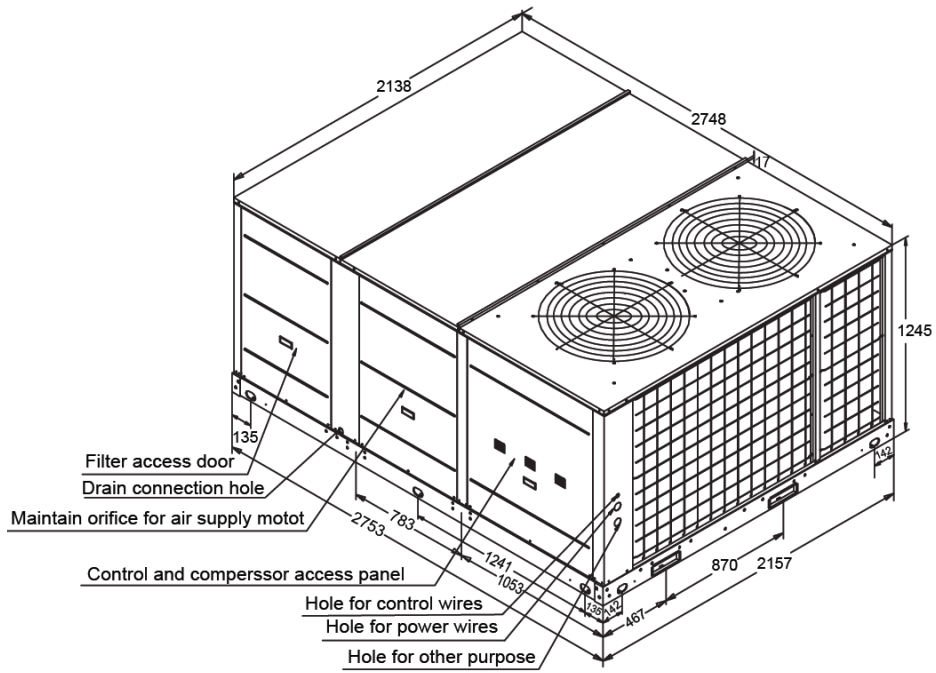
6.4 12.5 ton



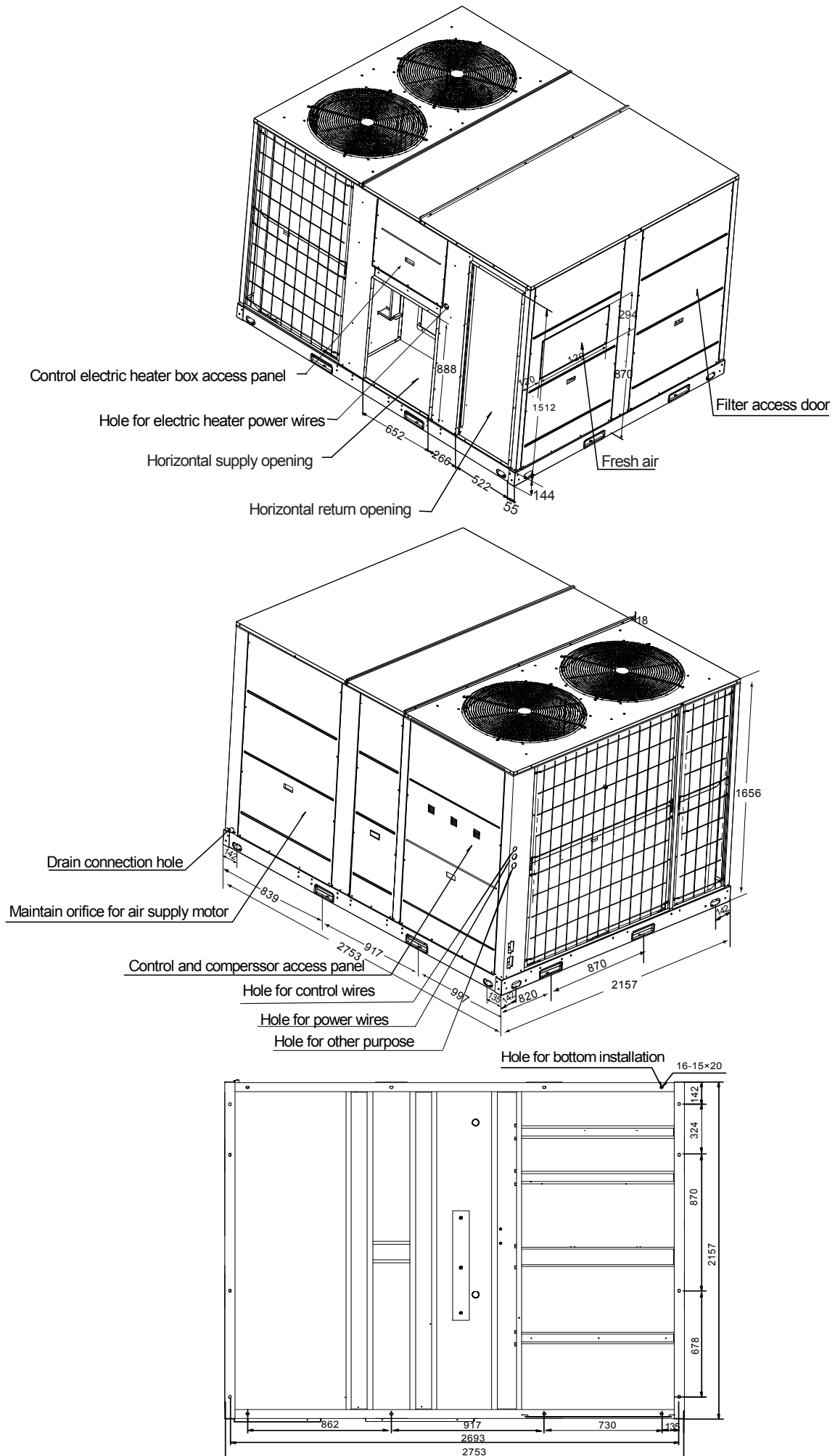
6.5 15 & 17.5 ton



6.6 20 ton



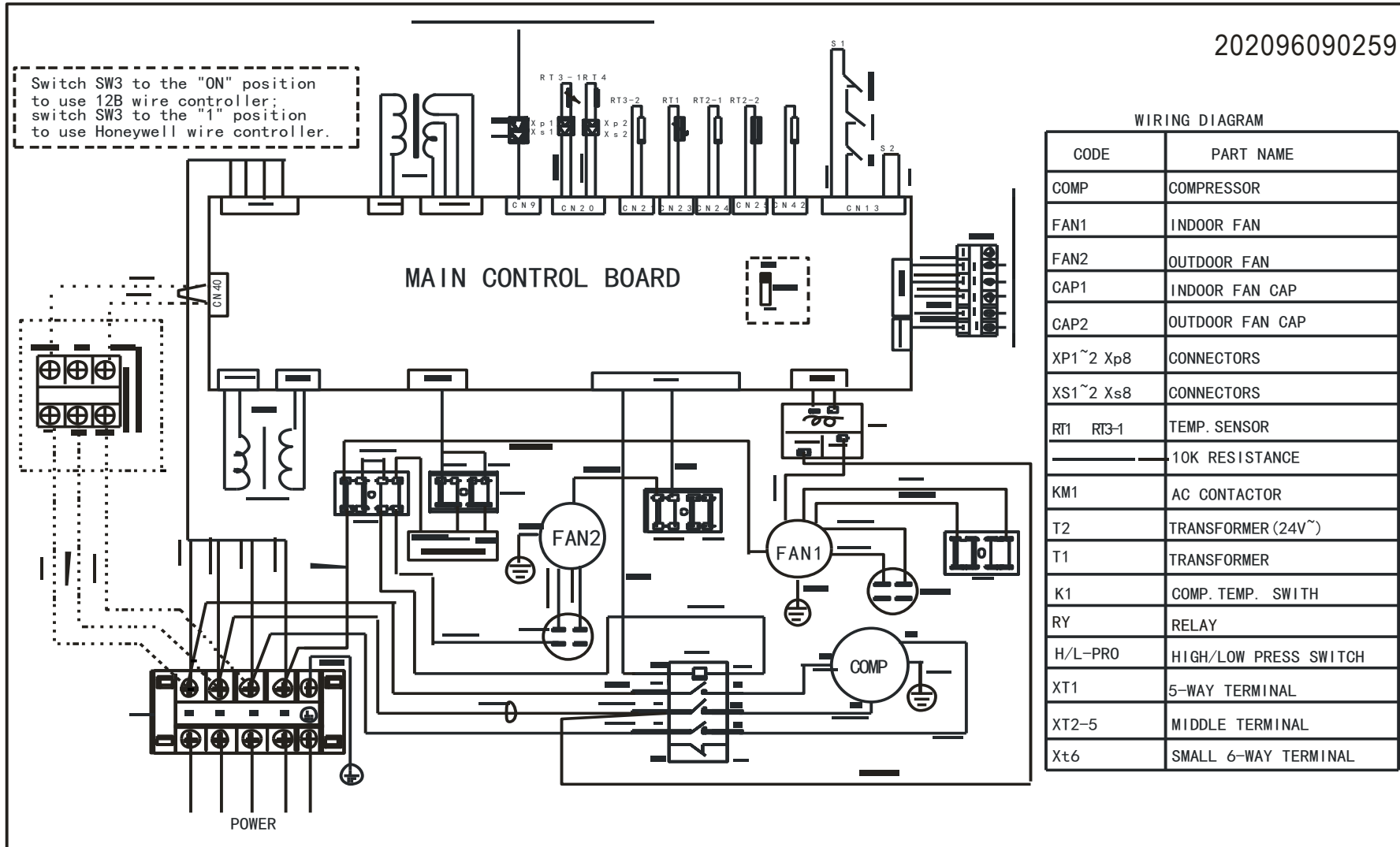
6.7 30 ton



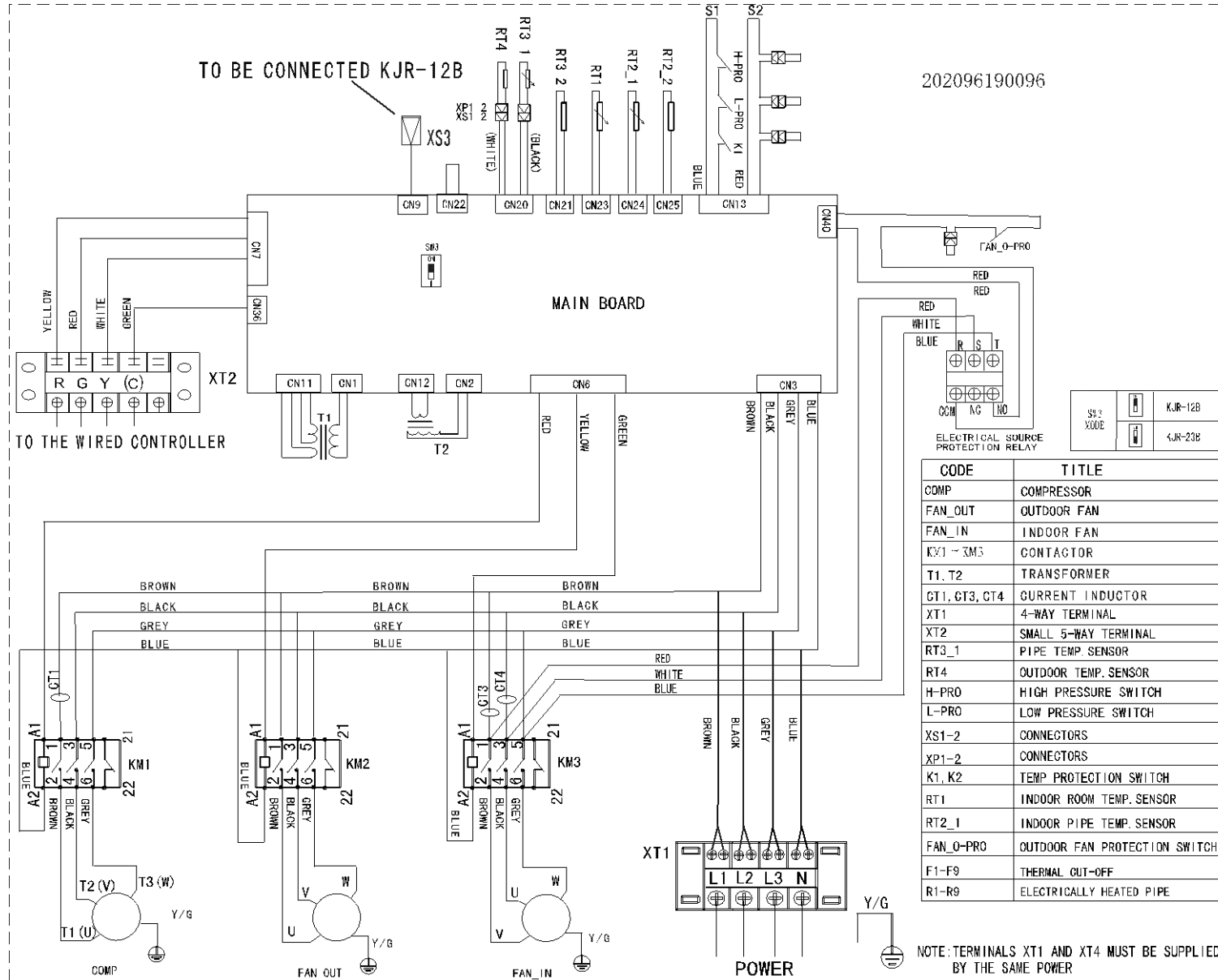
7. Wiring Diagrams

7.1 5ton

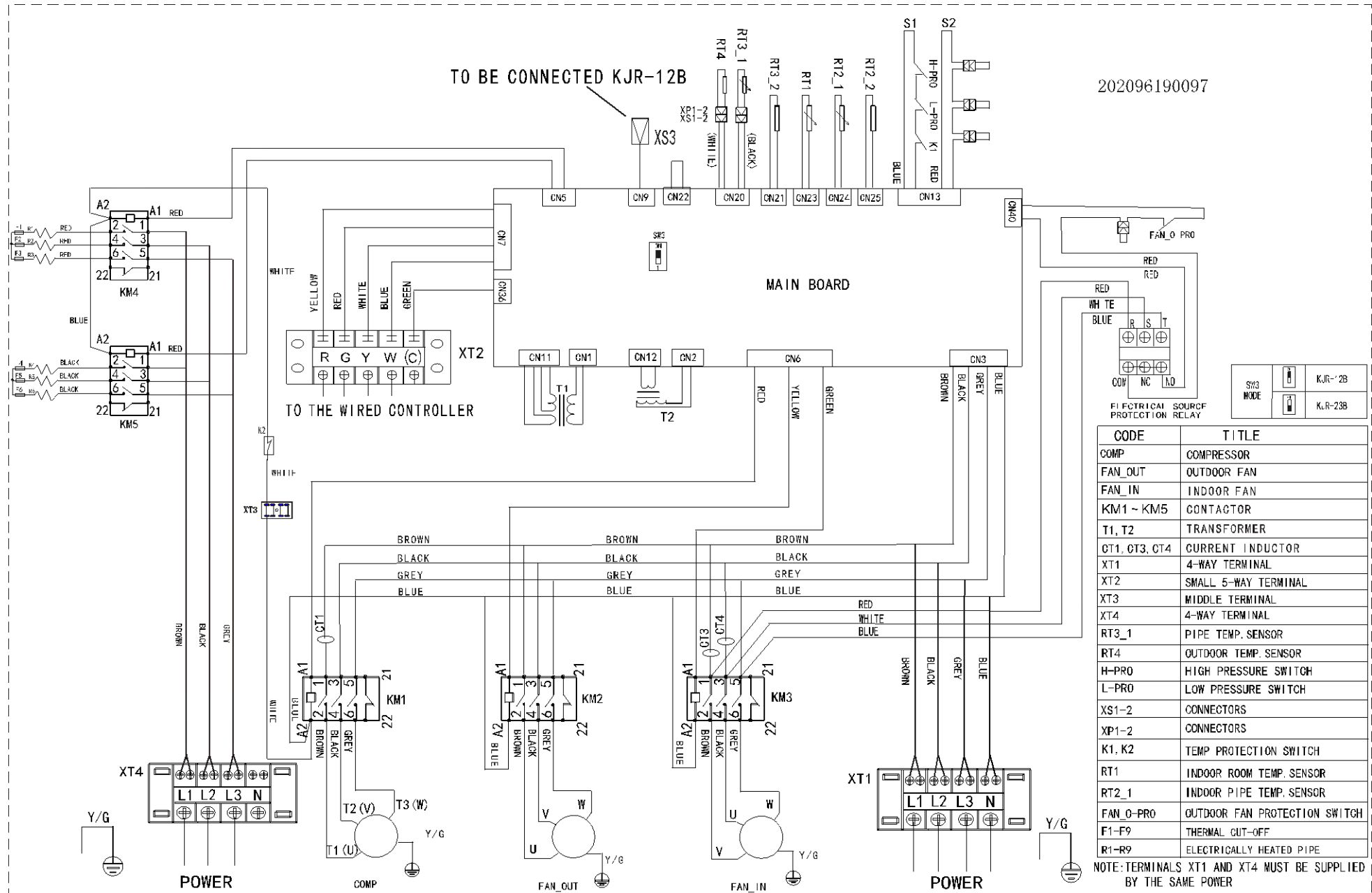
TMC18T3



7.2 6.2ton
TMC22T3

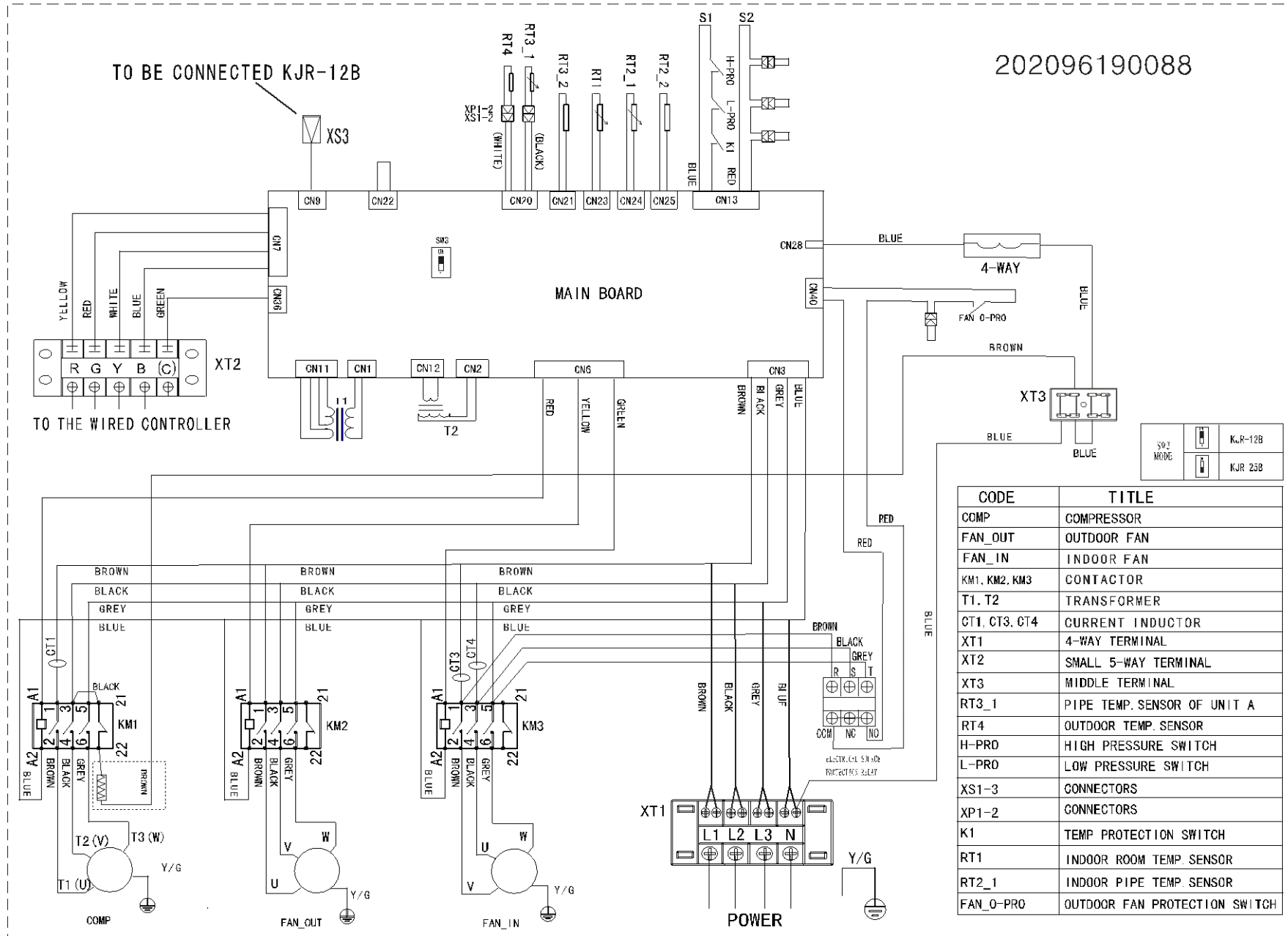


TME22T3

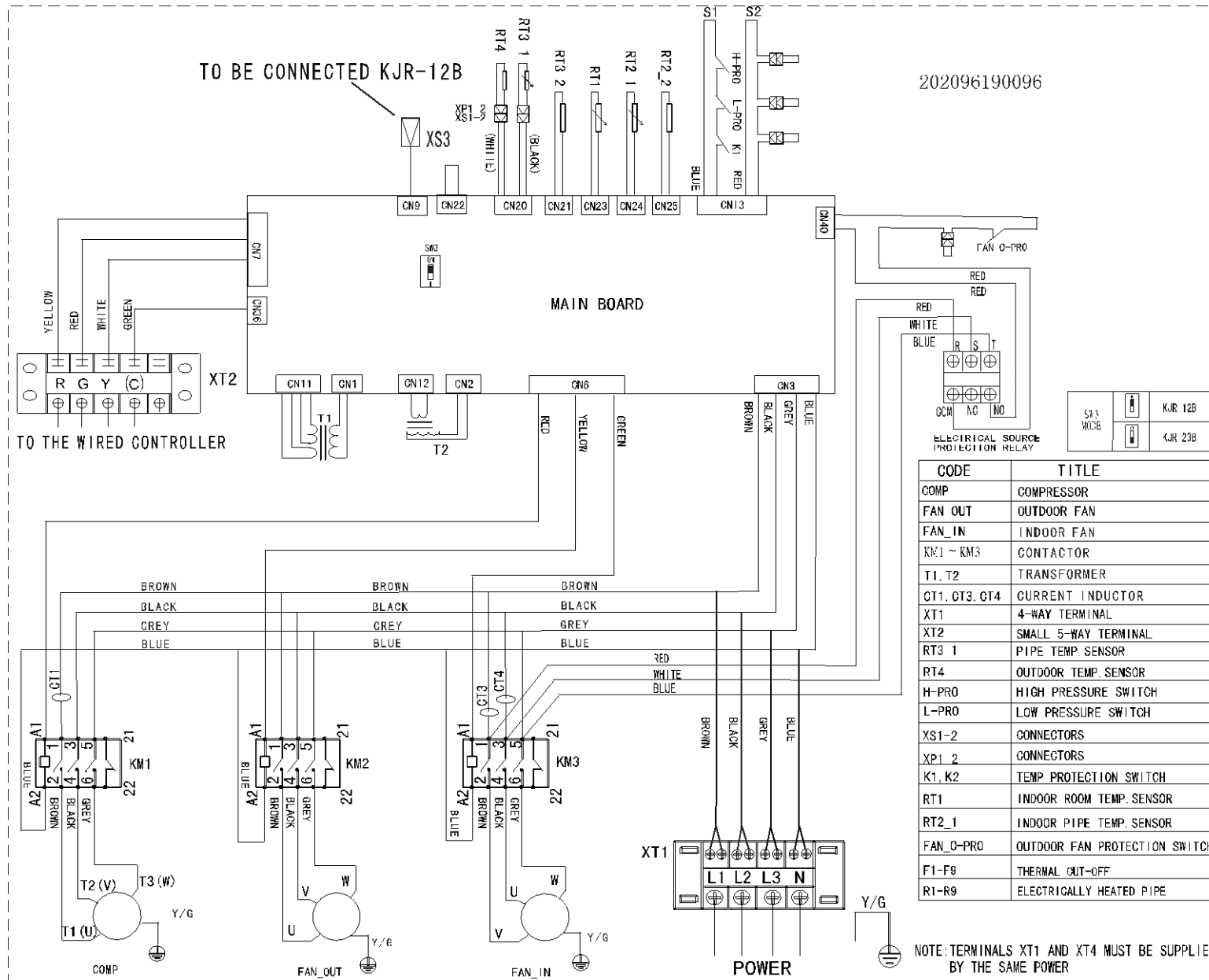


TMH22T3

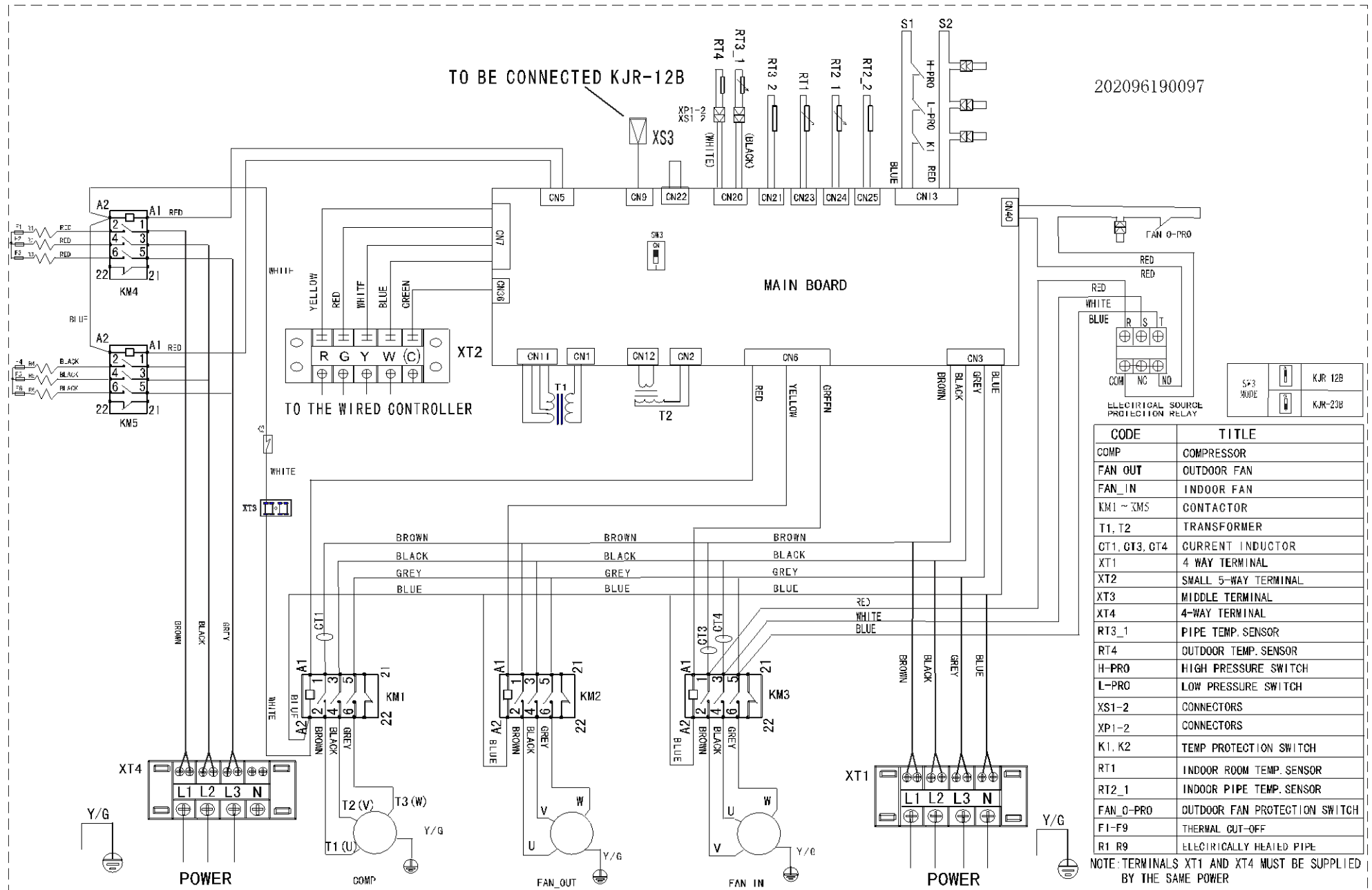
202096190088



7.3 7.5ton
TMC26T3

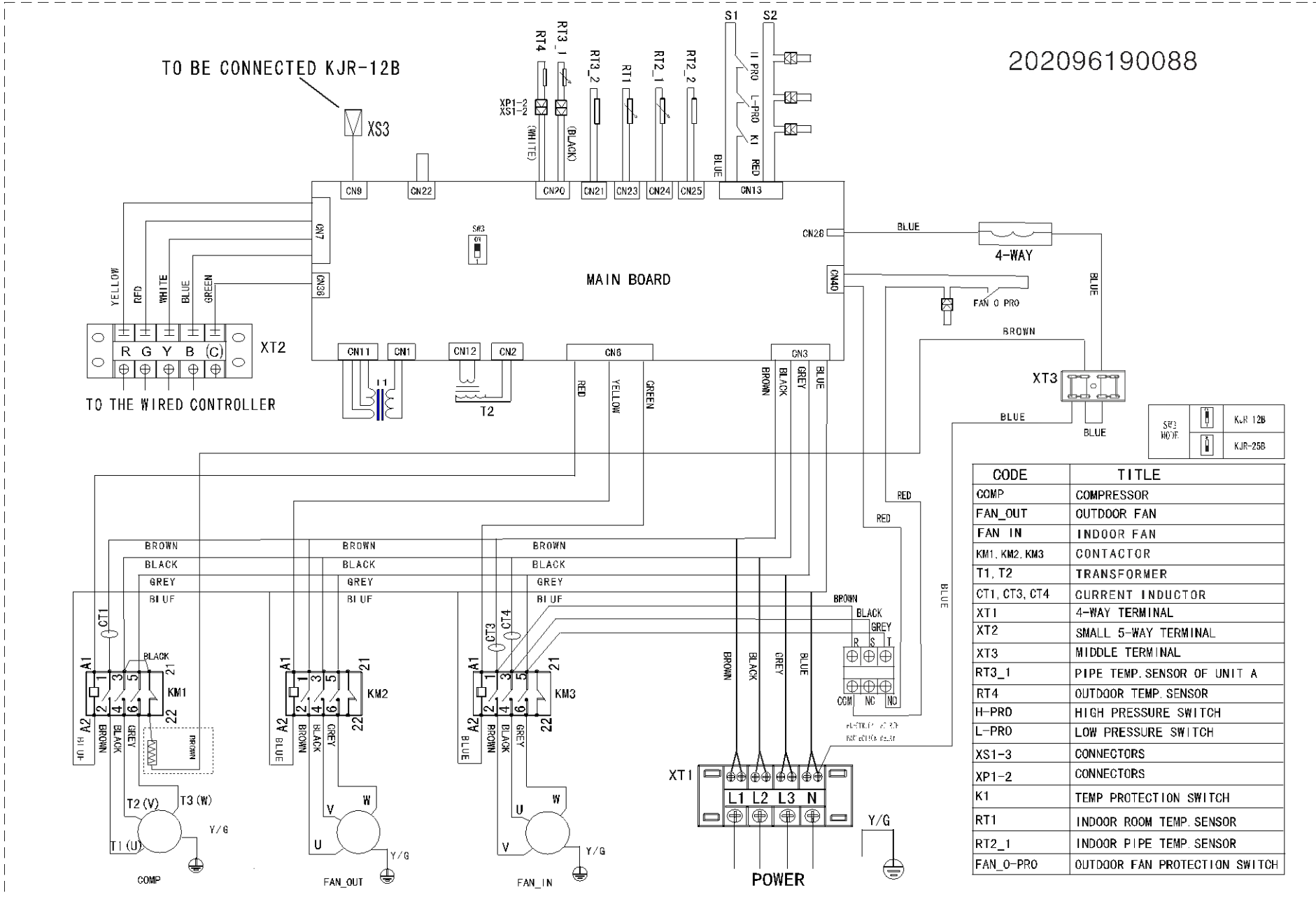


TME26T3



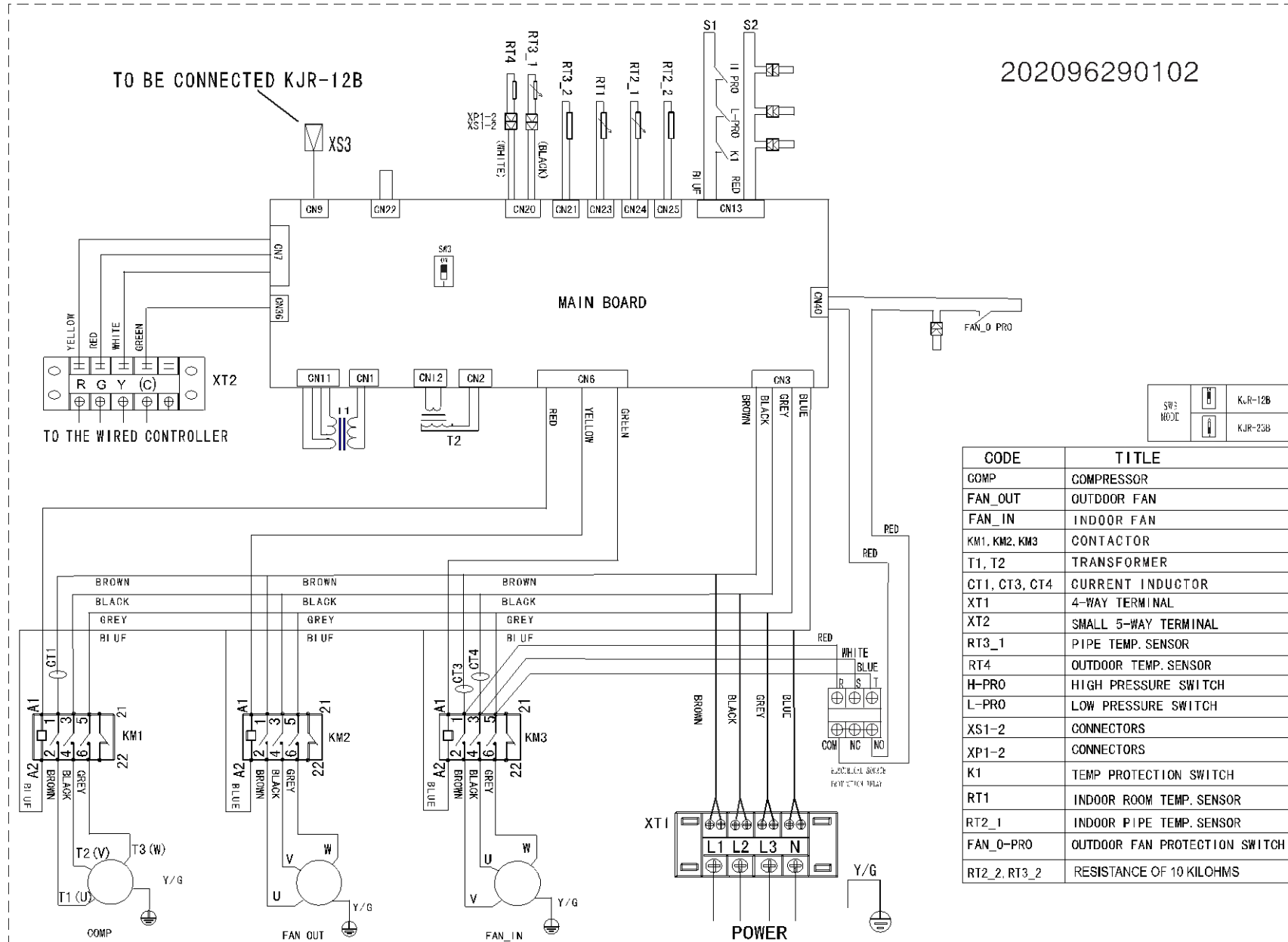
TMH26T3

202096190088

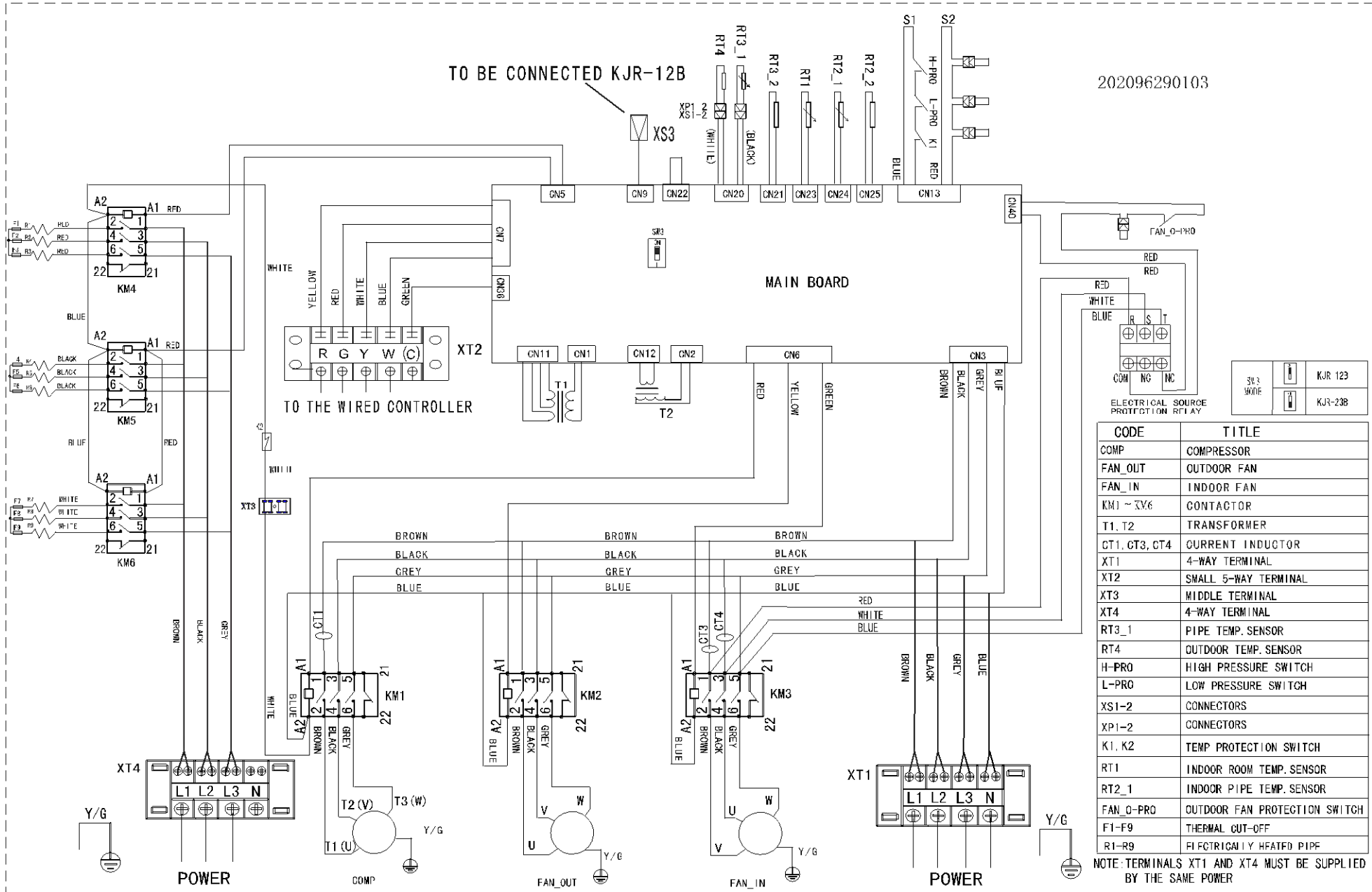


CODE	TITLE
COMP	COMPRESSOR
FAN_OUT	OUTDOOR FAN
FAN_IN	INDOOR FAN
KM1, KM2, KM3	CONTACTOR
T1, T2	TRANSFORMER
CT1, CT3, CT4	CURRENT INDUCTOR
XT1	4-WAY TERMINAL
XT2	SMALL 5-WAY TERMINAL
XT3	MIDDLE TERMINAL
RT3_1	PIPE TEMP. SENSOR OF UNIT A
RT4	OUTDOOR TEMP. SENSOR
H-PRD	HIGH PRESSURE SWITCH
L-PRD	LOW PRESSURE SWITCH
XS1-3	CONNECTORS
XP1-2	CONNECTORS
K1	TEMP PROTECTION SWITCH
RT1	INDOOR ROOM TEMP. SENSOR
RT2_1	INDOOR PIPE TEMP. SENSOR
FAN_0-PRO	OUTDOOR FAN PROTECTION SWITCH

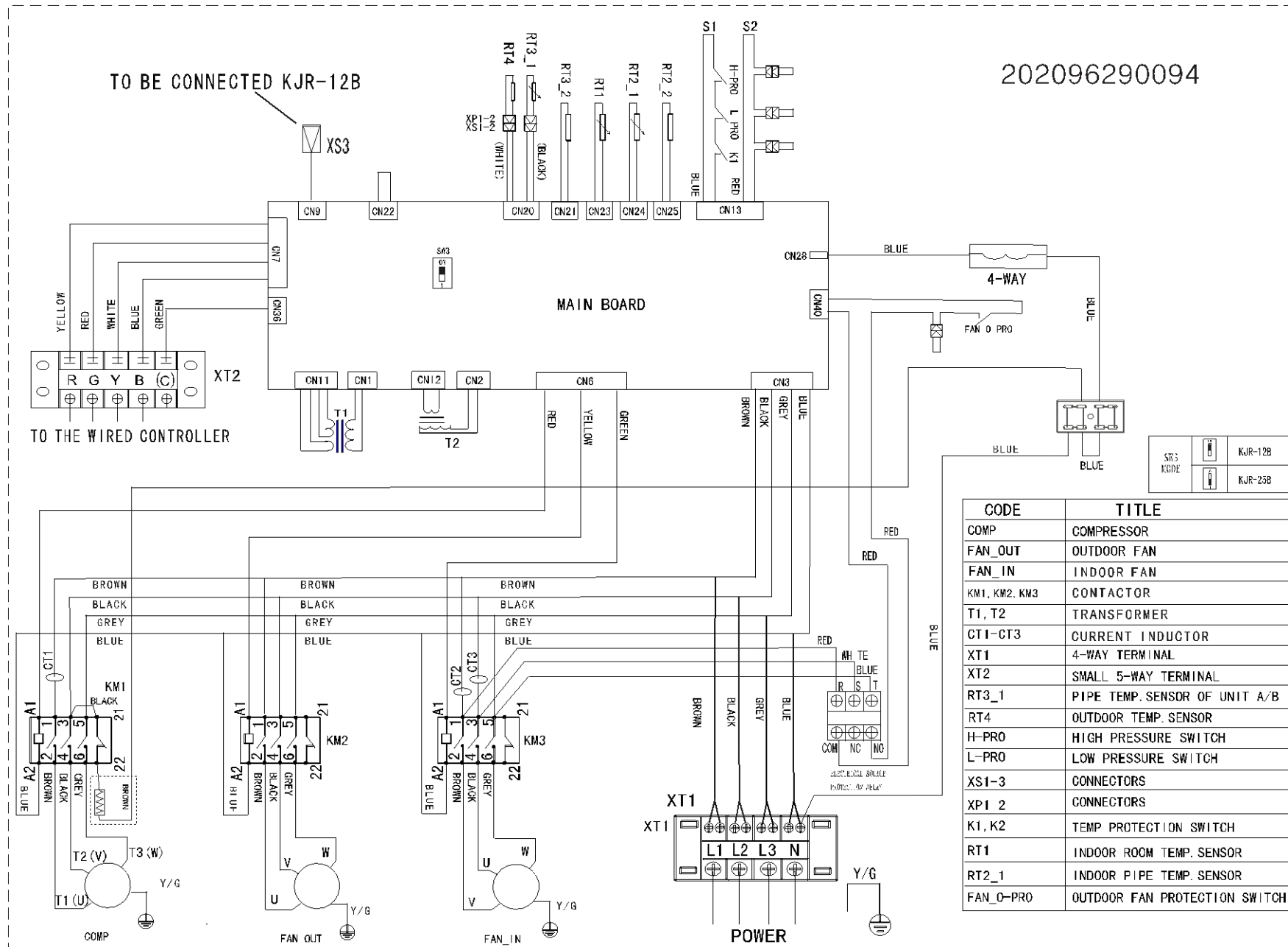
7.4 8.5ton
TMC30T3



TME30T3



TMH30T3

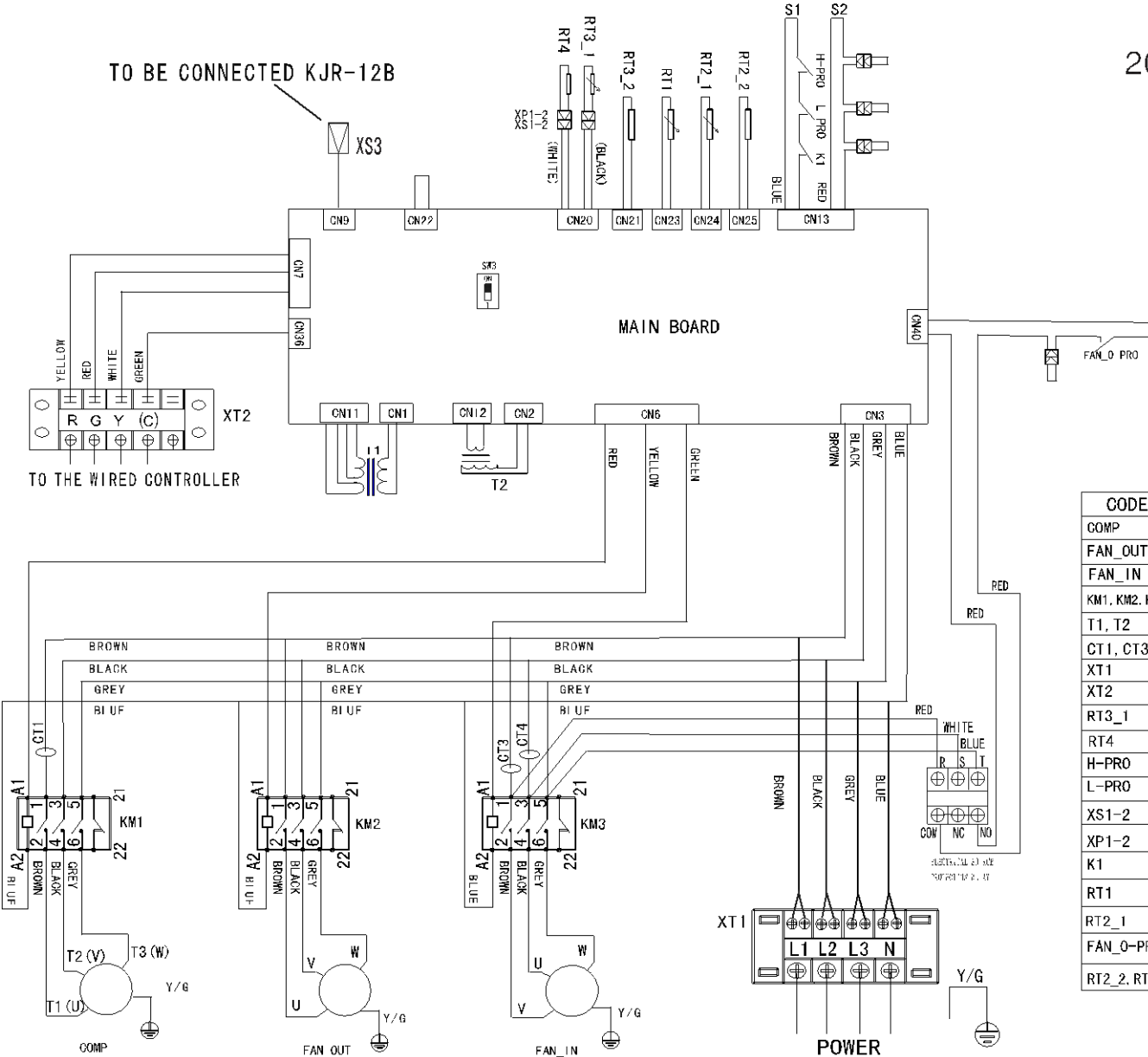


7.5 10ton

TMC35T3

202096290102

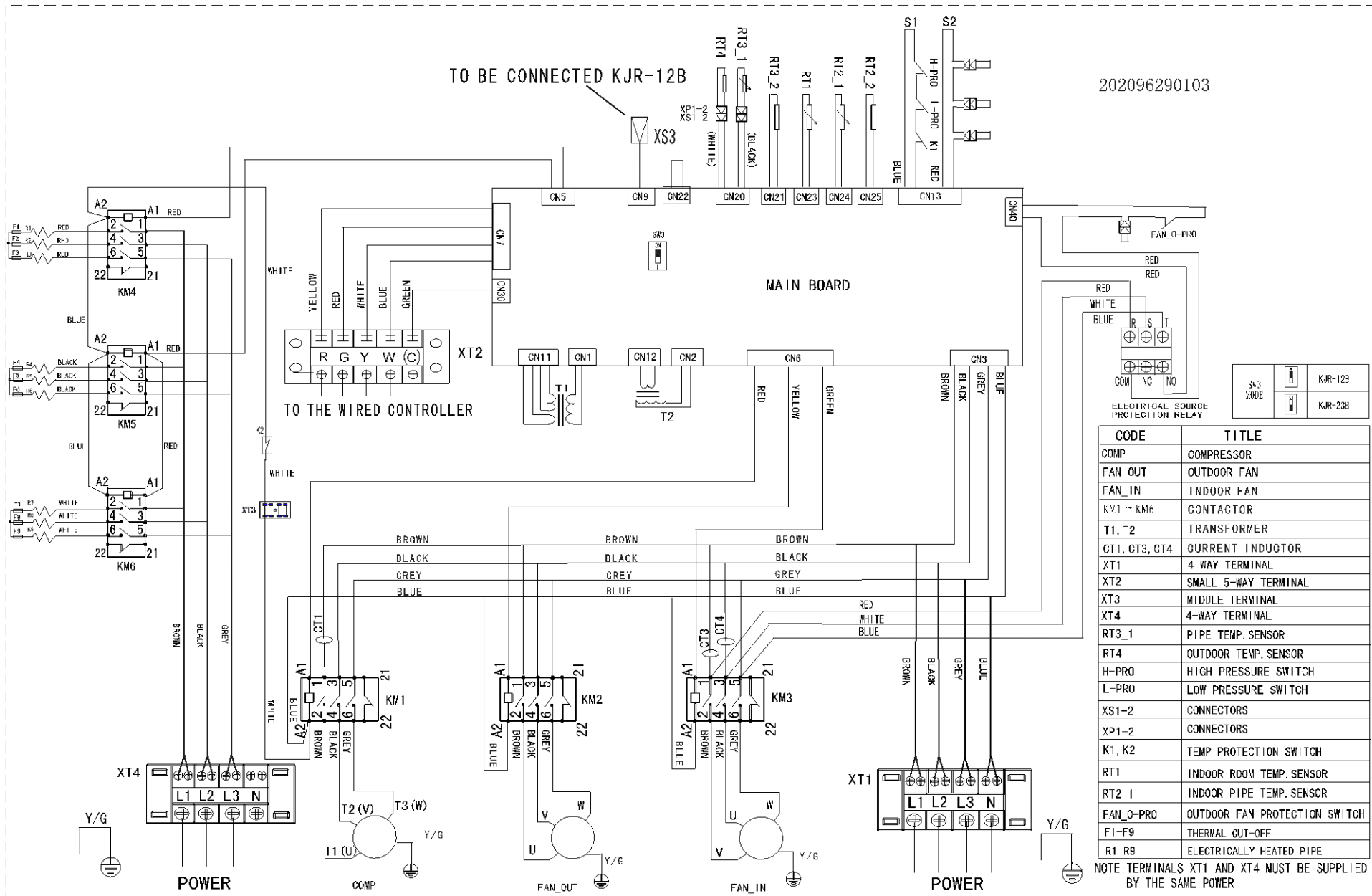
TO BE CONNECTED KJR-12B



SW3		KJR-12B
YODE		KJR-233

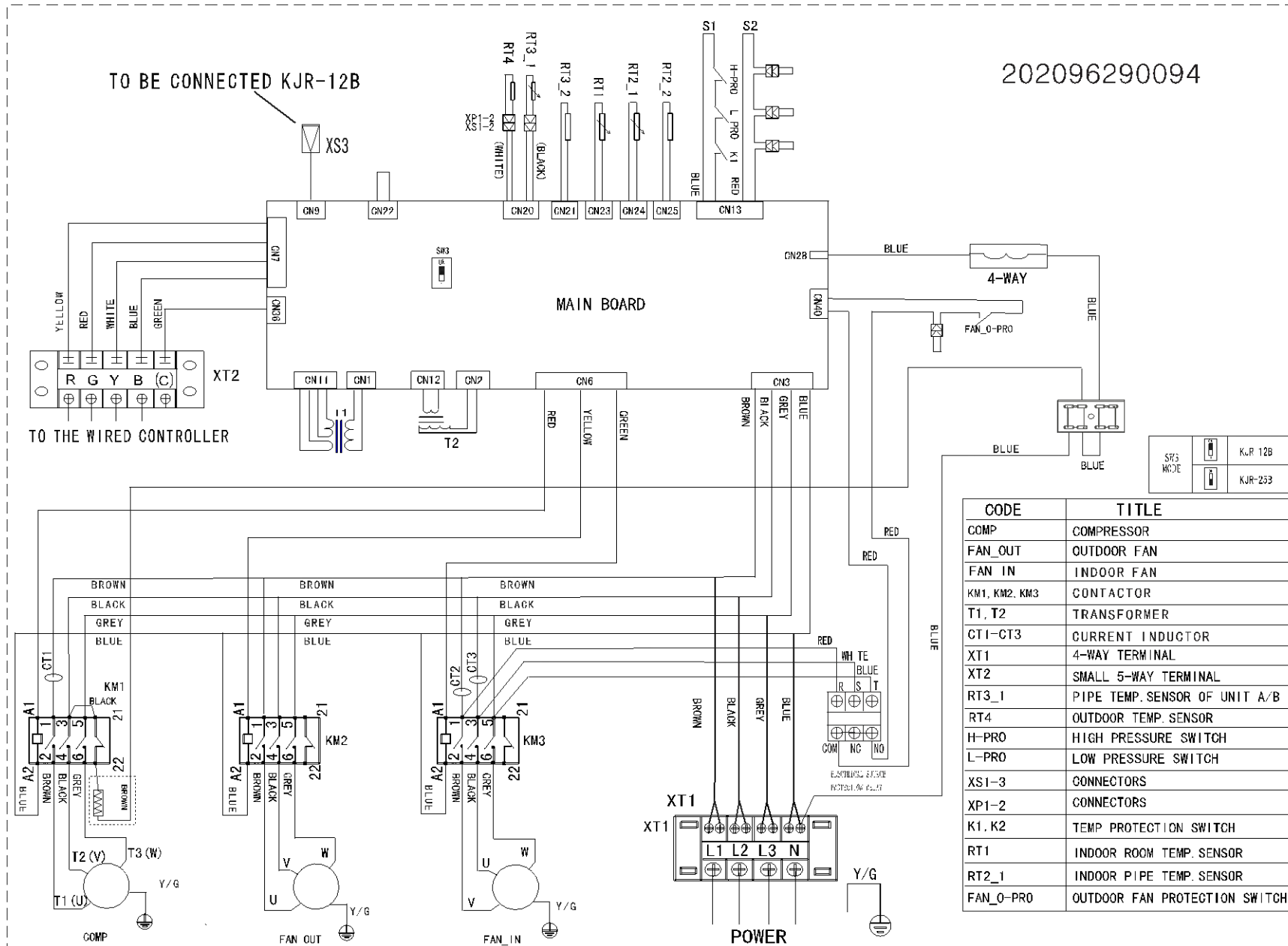
CODE	TITLE
COMP	COMPRESSOR
FAN_OUT	OUTDOOR FAN
FAN_IN	INDOOR FAN
KM1, KM2, KM3	CONTACTOR
T1, T2	TRANSFORMER
CT1, CT3, CT4	CURRENT INDUCTOR
XT1	4-WAY TERMINAL
XT2	SMALL 5-WAY TERMINAL
RT3_1	PIPE TEMP. SENSOR
RT4	OUTDOOR TEMP. SENSOR
H-PRO	HIGH PRESSURE SWITCH
L-PRO	LOW PRESSURE SWITCH
XS1-2	CONNECTORS
XP1-2	CONNECTORS
K1	TEMP PROTECTION SWITCH
RT1	INDOOR ROOM TEMP. SENSOR
RT2_1	INDOOR PIPE TEMP. SENSOR
FAN_O-PRO	OUTDOOR FAN PROTECTION SWITCH
RT2_2, RT3_2	RESISTANCE OF 10 KILOHMS

TME35T3



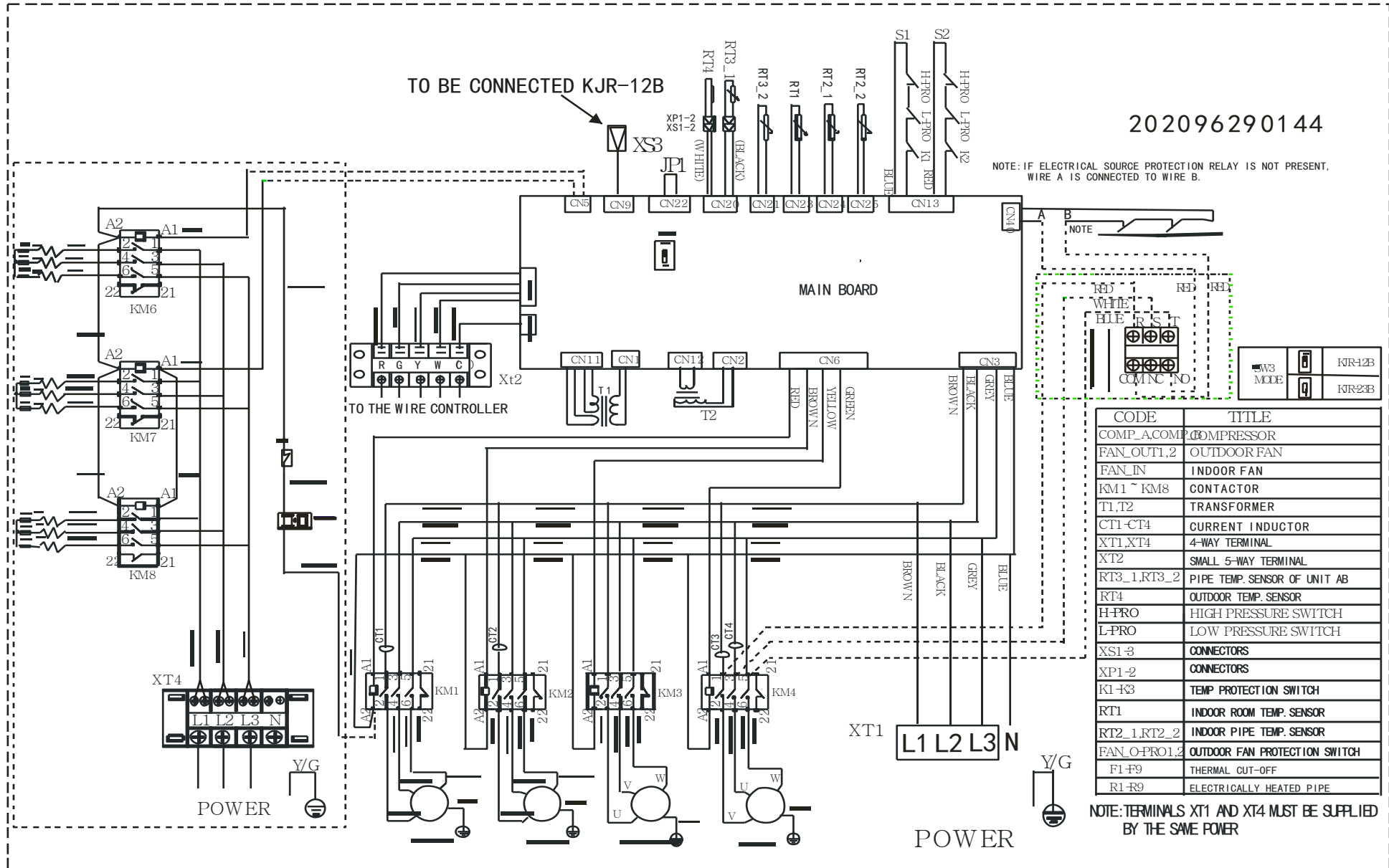
TMH35T3

202096290094



CODE	TITLE
COMP	COMPRESSOR
FAN_OUT	OUTDOOR FAN
FAN_IN	INDOOR FAN
KM1, KM2, KM3	CONTACTOR
T1, T2	TRANSFORMER
CT1-CT3	CURRENT INDUCTOR
XT1	4-WAY TERMINAL
XT2	SMALL 5-WAY TERMINAL
RT3_1	PIPE TEMP. SENSOR OF UNIT A/B
RT4	OUTDOOR TEMP. SENSOR
H-PRO	HIGH PRESSURE SWITCH
L-PRO	LOW PRESSURE SWITCH
XS1-3	CONNECTORS
XP1-2	CONNECTORS
K1, K2	TEMP PROTECTION SWITCH
RT1	INDOOR ROOM TEMP. SENSOR
RT2_1	INDOOR PIPE TEMP. SENSOR
FAN_O-PRO	OUTDOOR FAN PROTECTION SWITCH

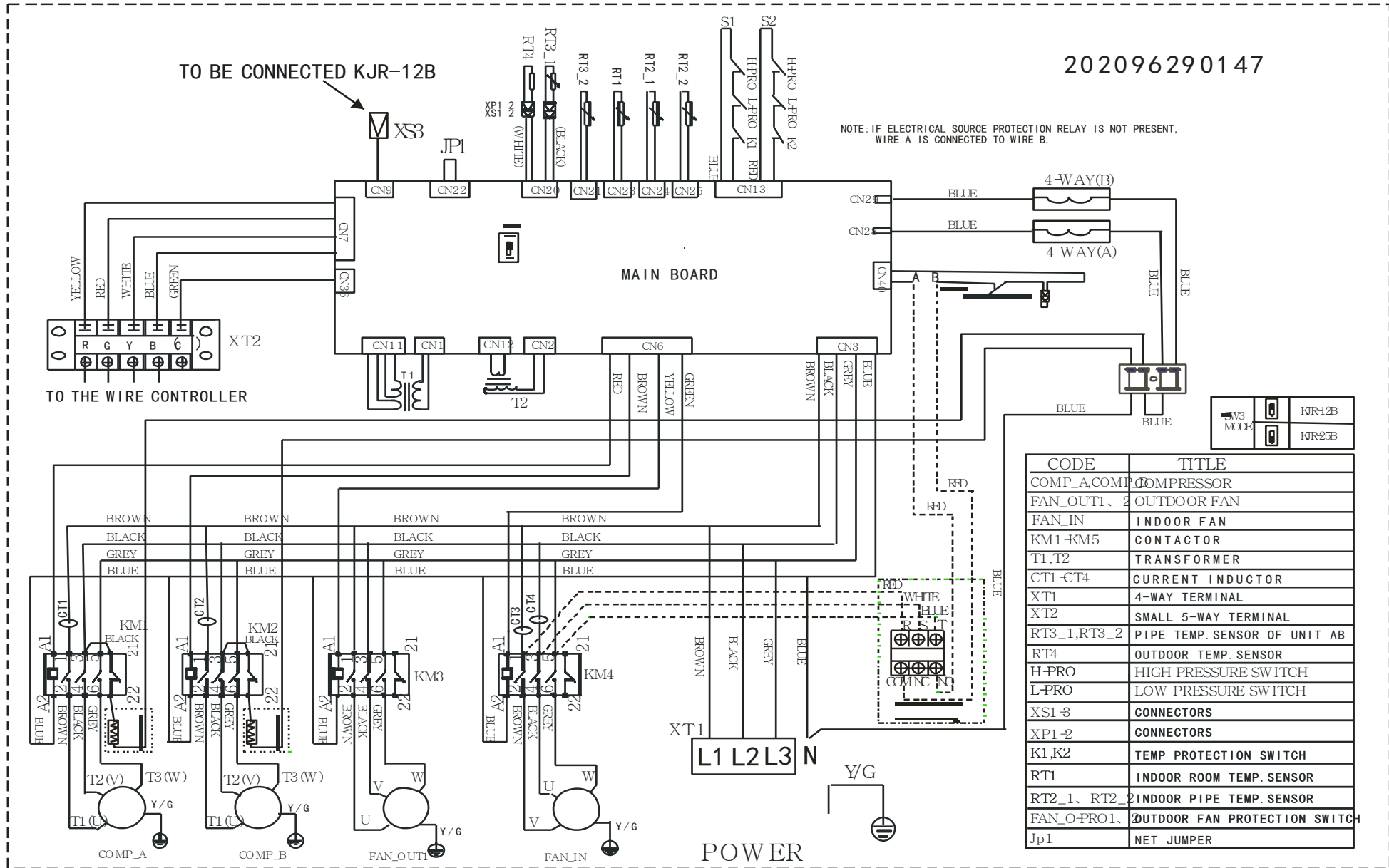
7.6 12.5ton
TMC44T3



TMH44T3

202096290147

NOTE: IF ELECTRICAL SOURCE PROTECTION RELAY IS NOT PRESENT, WIRE A IS CONNECTED TO WIRE B.

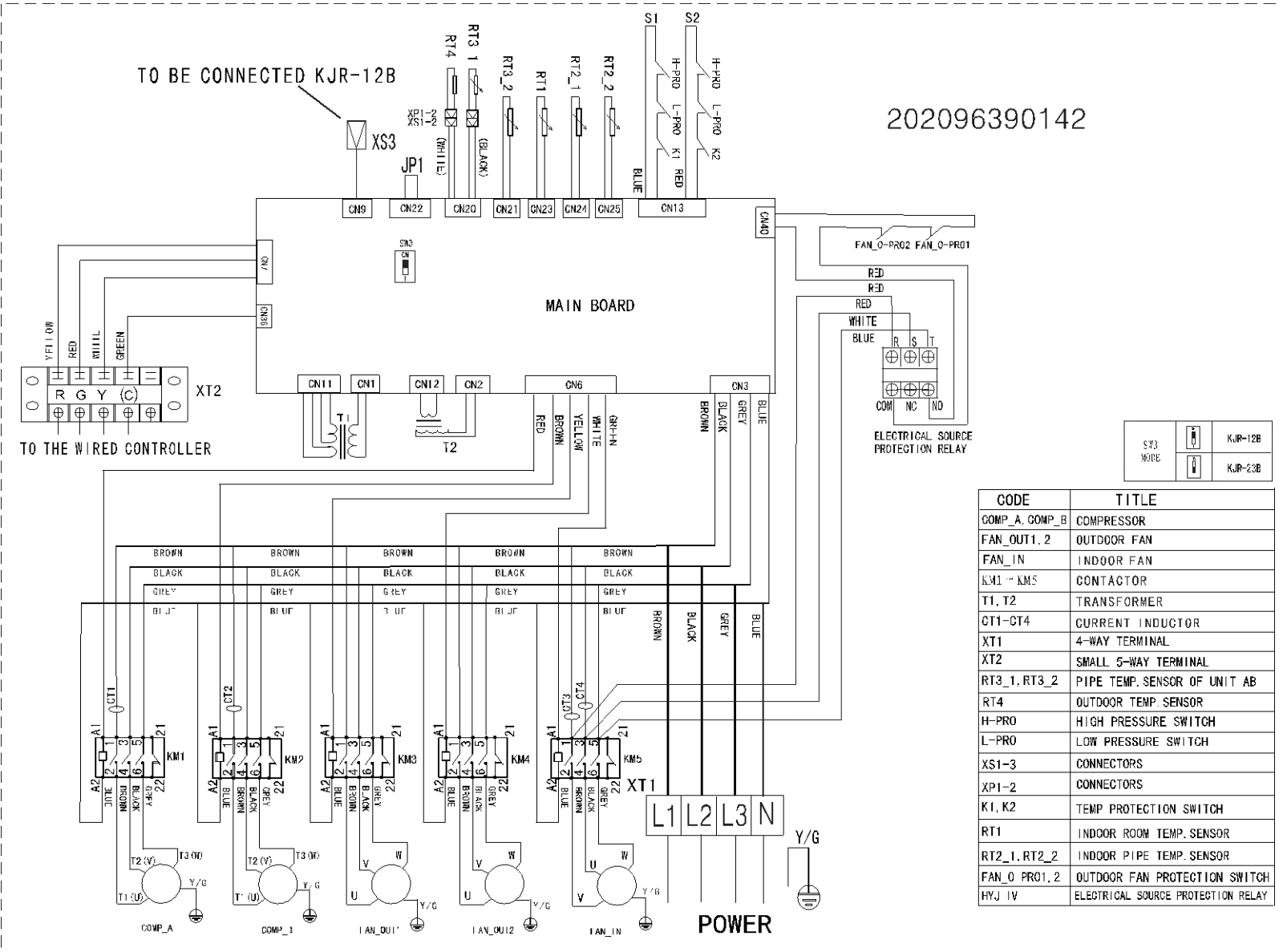


CODE	TITLE
COMP_A, COMP_B	COMPRESSOR
FAN_OUT1, 2	OUTDOOR FAN
FAN_IN	INDOOR FAN
KM1-KM5	CONTACTOR
T1, T2	TRANSFORMER
CT1-CT4	CURRENT INDUCTOR
XT1	4-WAY TERMINAL
XT2	SMALL 5-WAY TERMINAL
RT3_1, RT3_2	PIPE TEMP. SENSOR OF UNIT AB
RT4	OUTDOOR TEMP. SENSOR
H-PRO	HIGH PRESSURE SWITCH
L-PRO	LOW PRESSURE SWITCH
XS1-3	CONNECTORS
XP1-2	CONNECTORS
K1, K2	TEMP PROTECTION SWITCH
RT1	INDOOR ROOM TEMP. SENSOR
RT2_1, RT2_2	INDOOR PIPE TEMP. SENSOR
FAN_O-PRO1, 2	OUTDOOR FAN PROTECTION SWITCH
Jp1	NET JUMPER

7.7 15ton

TMC53T3

202096390142

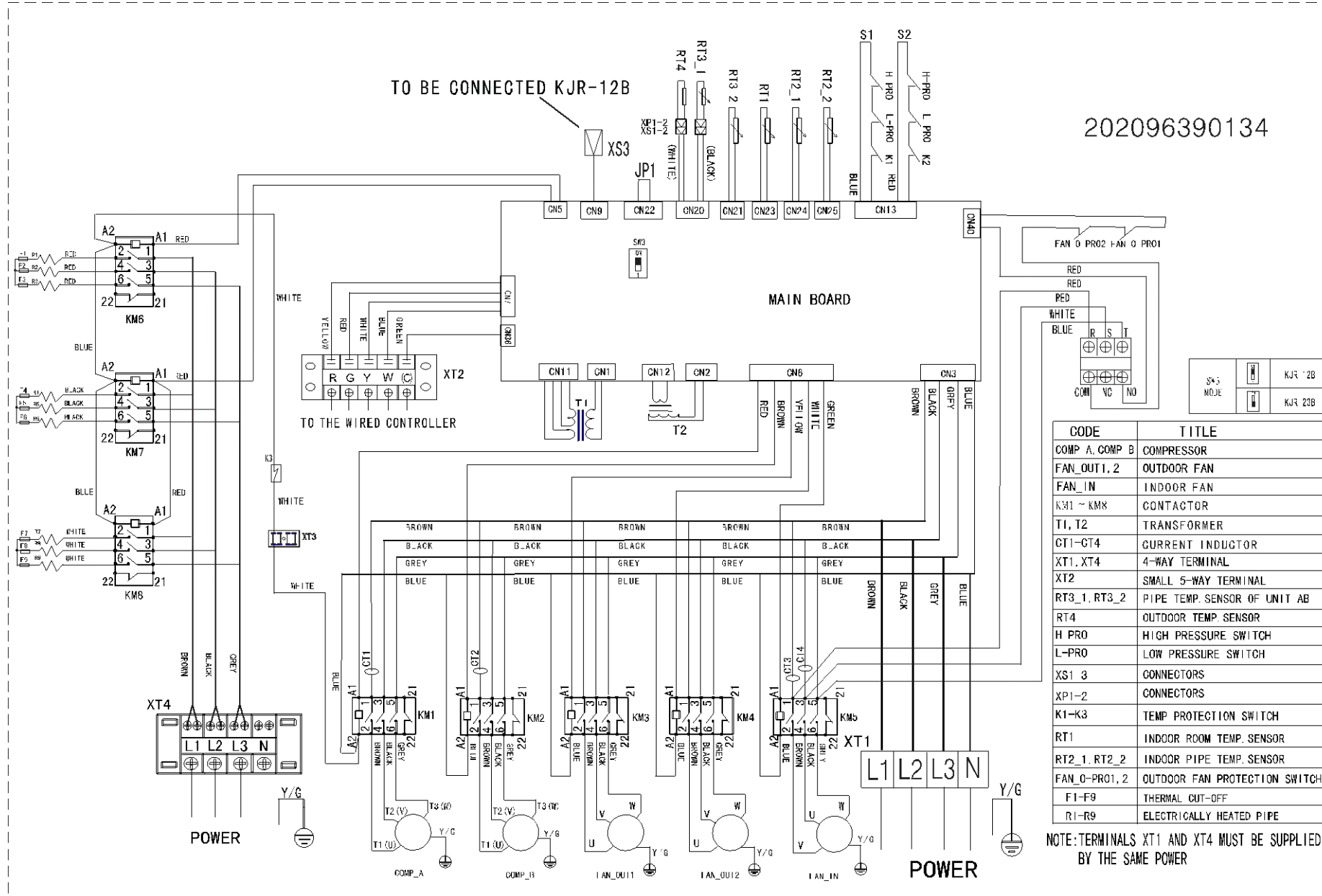


XS3		KJR-12B
WIRE		KJR-23B

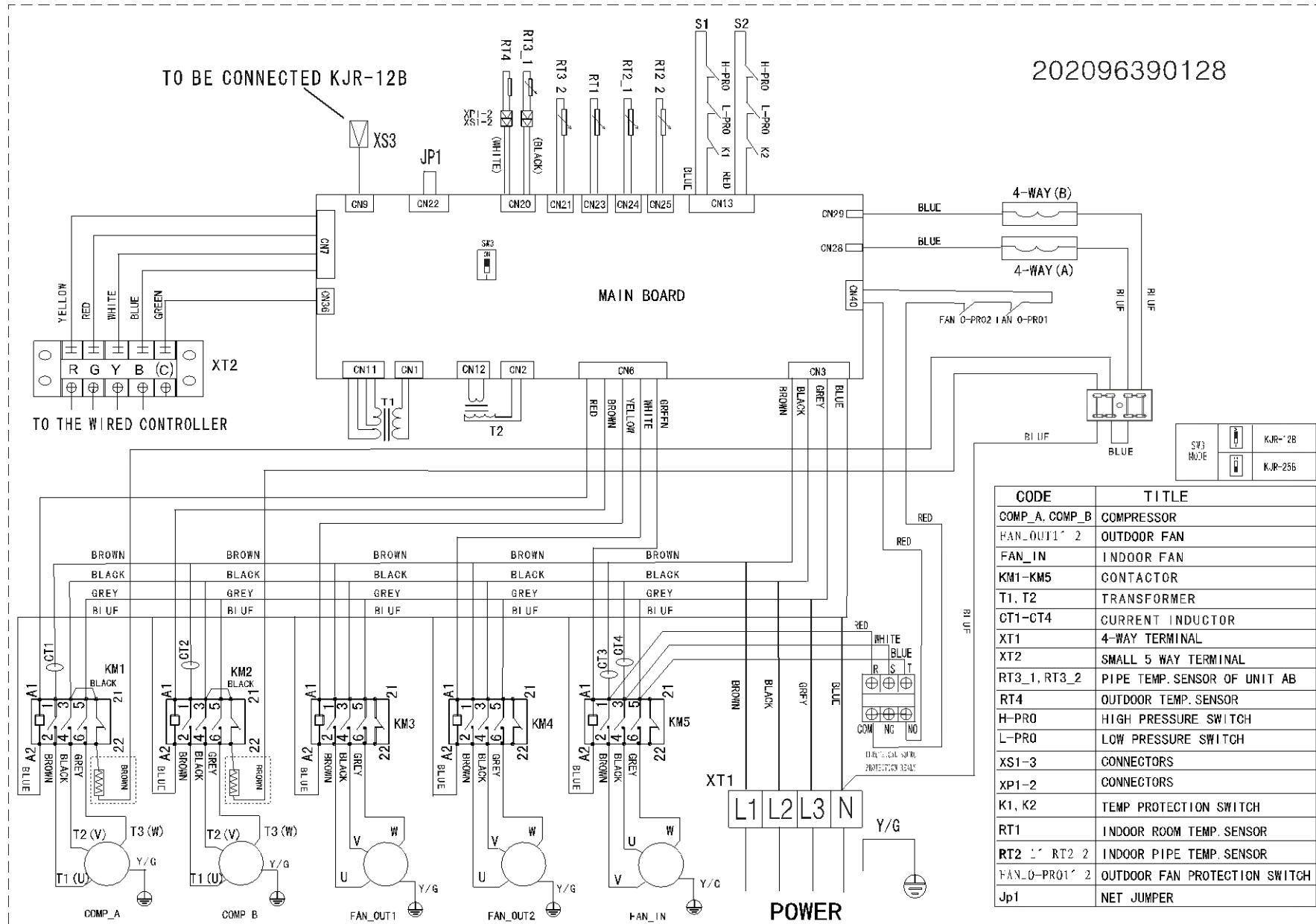
CODE	TITLE
COMP_A, COMP_B	COMPRESSOR
FAN_OUT1, 2	OUTDOOR FAN
FAN_IN	INDOOR FAN
KM1 ~ KM5	CONTACTOR
T1, T2	TRANSFORMER
CT1-CT4	CURRENT INDUCTOR
XT1	4-WAY TERMINAL
XT2	SMALL 5-WAY TERMINAL
RT3_1, RT3_2	PIPE TEMP. SENSOR OF UNIT AB
RT4	OUTDOOR TEMP. SENSOR
H-PRO	HIGH PRESSURE SWITCH
L-PRO	LOW PRESSURE SWITCH
XS1-3	CONNECTORS
XP1-2	CONNECTORS
K1, K2	TEMP PROTECTION SWITCH
RT1	INDOOR ROOM TEMP. SENSOR
RT2_1, RT2_2	INDOOR PIPE TEMP. SENSOR
FAN_O-PRO1, 2	OUTDOOR FAN PROTECTION SWITCH
HVJ IV	ELECTRICAL SOURCE PROTECTION RELAY

TME53T3

202096390134

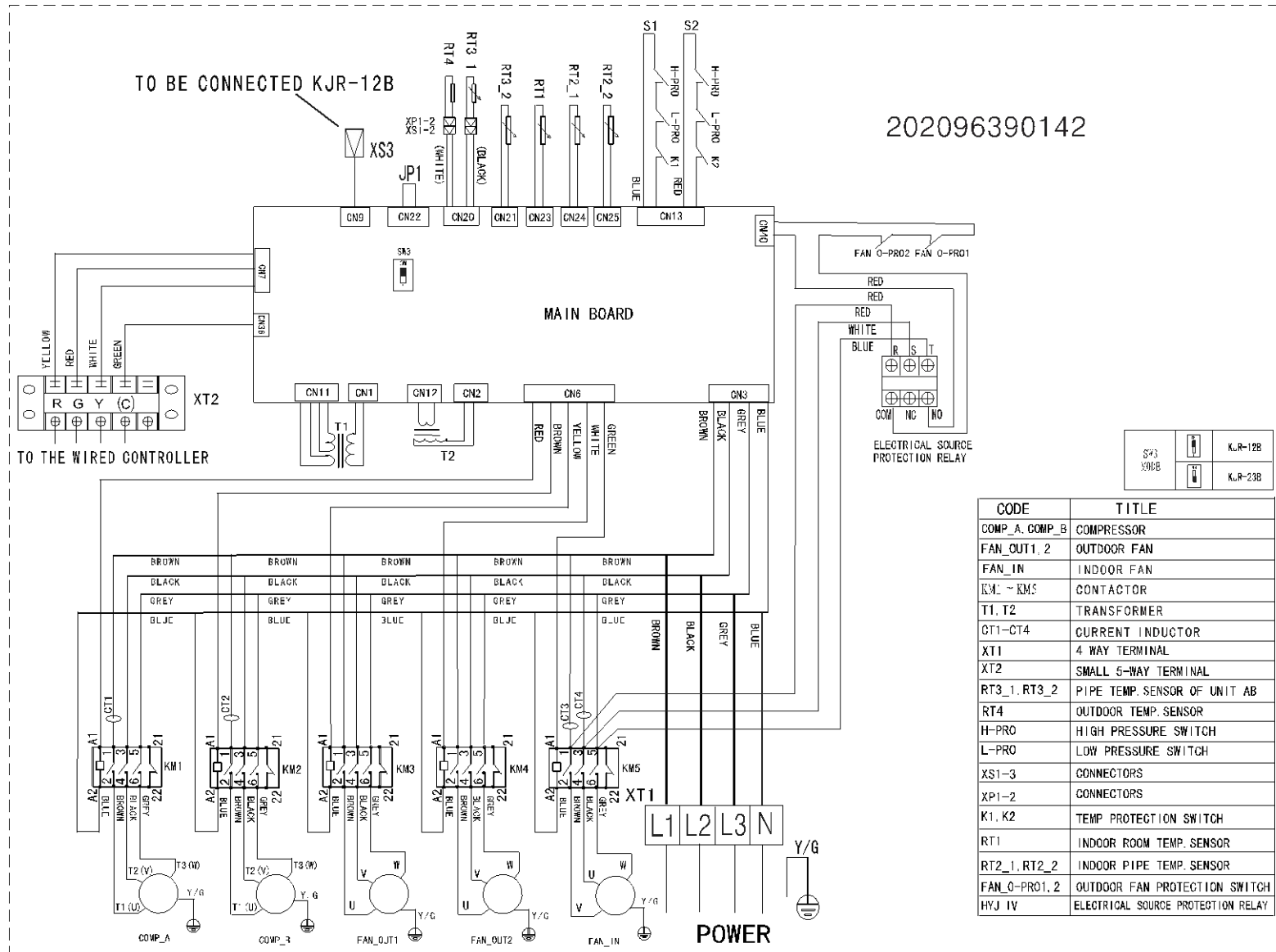


TMH53T3



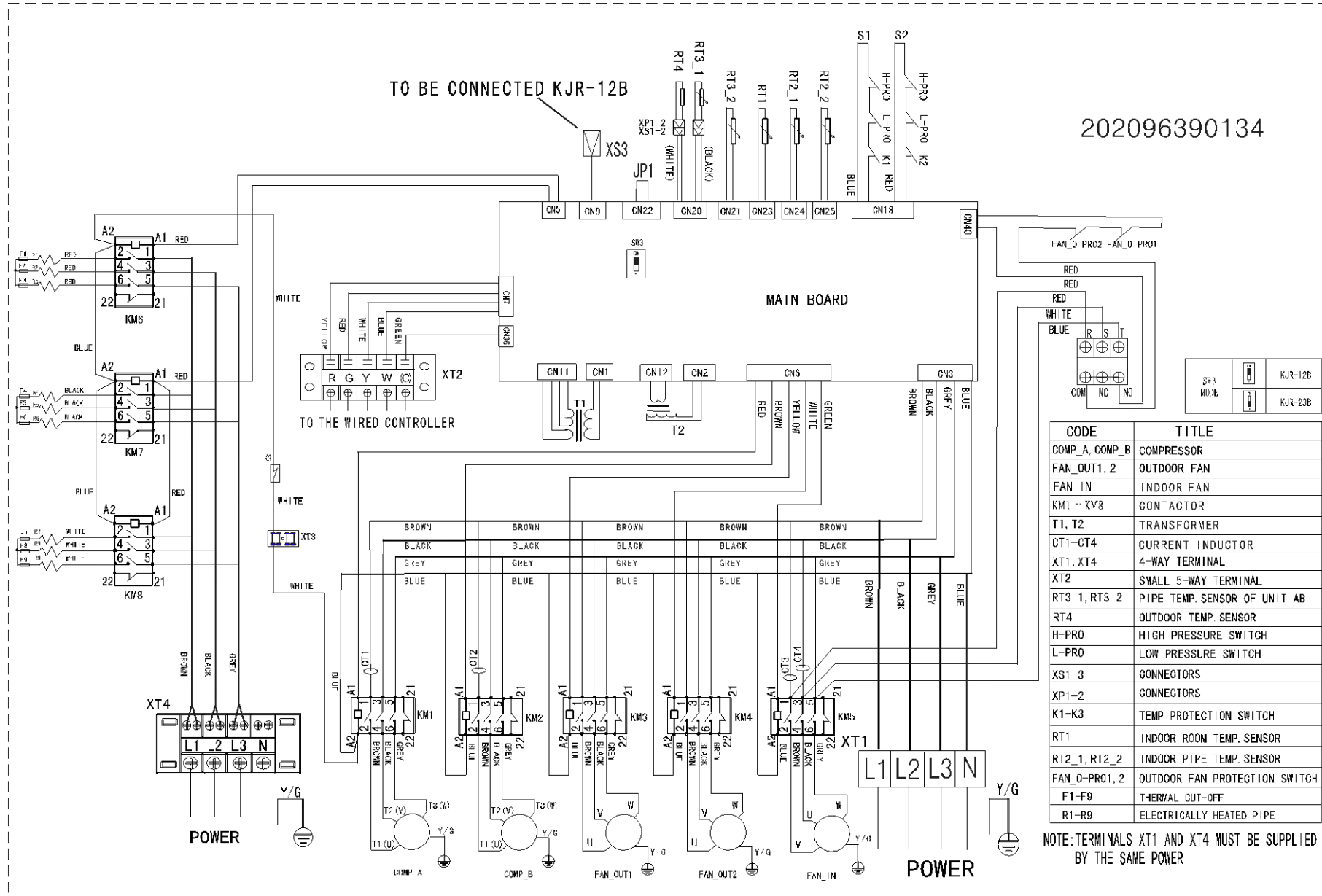
7.8 17.5ton

TMC62T3

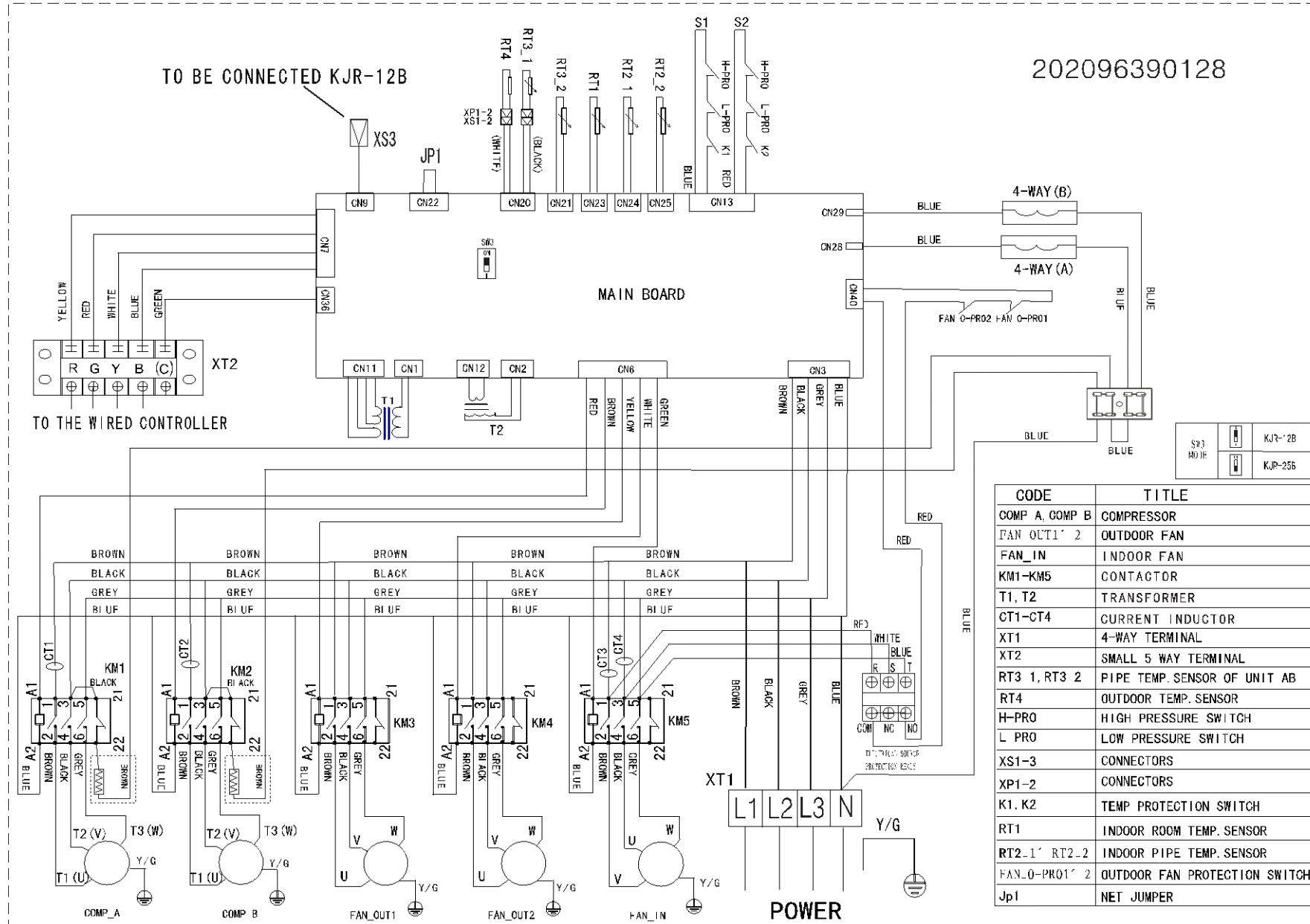


CODE	TITLE
COMP_A, COMP_B	COMPRESSOR
FAN_OUT1,2	OUTDOOR FAN
FAN_IN	INDOOR FAN
KM1 ~ KM5	CONTACTOR
T1, T2	TRANSFORMER
CT1-CT4	CURRENT INDUCTOR
XT1	4 WAY TERMINAL
XT2	SMALL 5-WAY TERMINAL
RT3_1, RT3_2	PIPE TEMP. SENSOR OF UNIT AB
RT4	OUTDOOR TEMP. SENSOR
H-PRO	HIGH PRESSURE SWITCH
L-PRO	LOW PRESSURE SWITCH
XS1-3	CONNECTORS
XP1-2	CONNECTORS
K1, K2	TEMP PROTECTION SWITCH
RT1	INDOOR ROOM TEMP. SENSOR
RT2_1, RT2_2	INDOOR PIPE TEMP. SENSOR
FAN_0-PRO1,2	OUTDOOR FAN PROTECTION SWITCH
HVJ IV	ELECTRICAL SOURCE PROTECTION RELAY

TME62T3

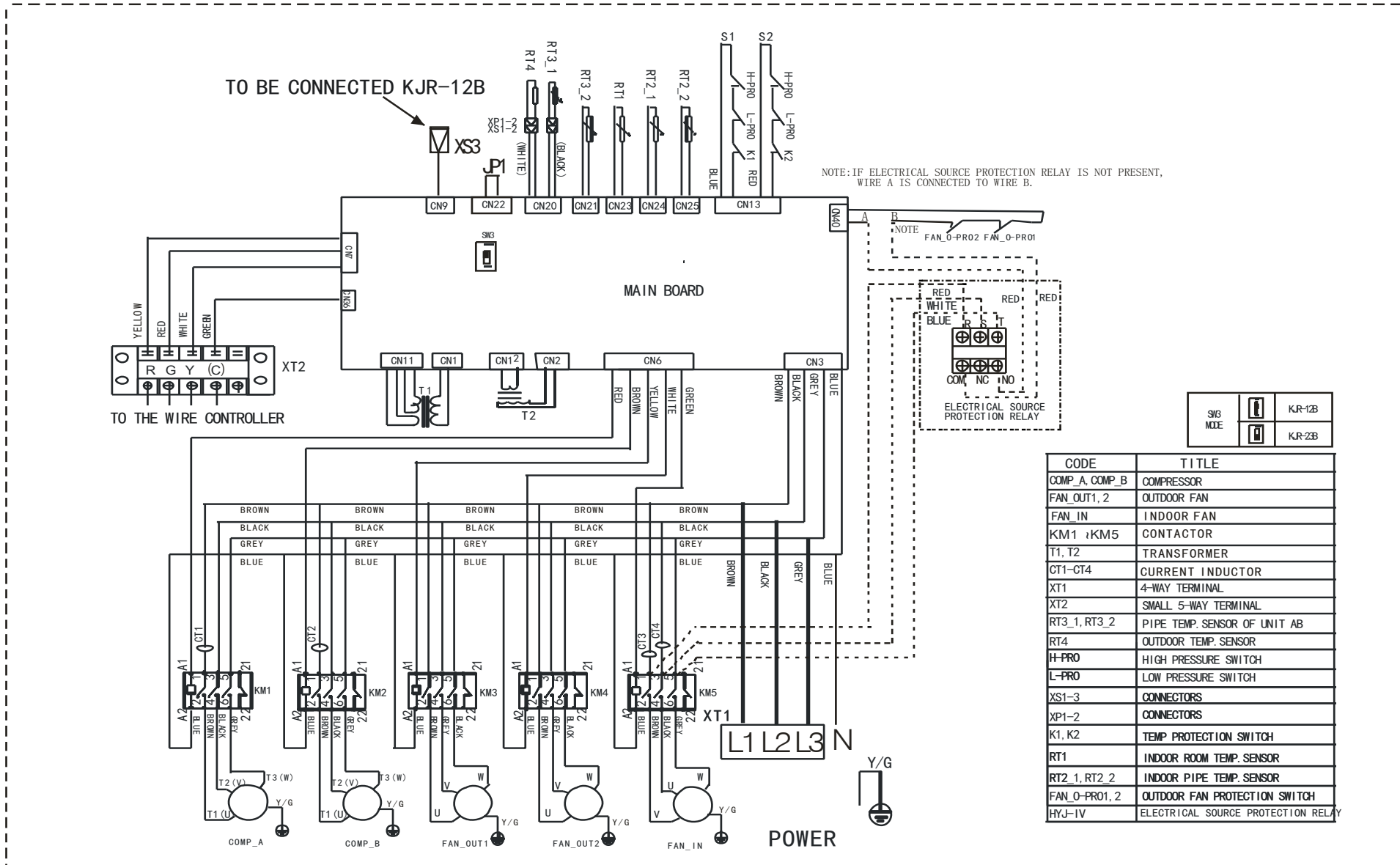


TMH62T3

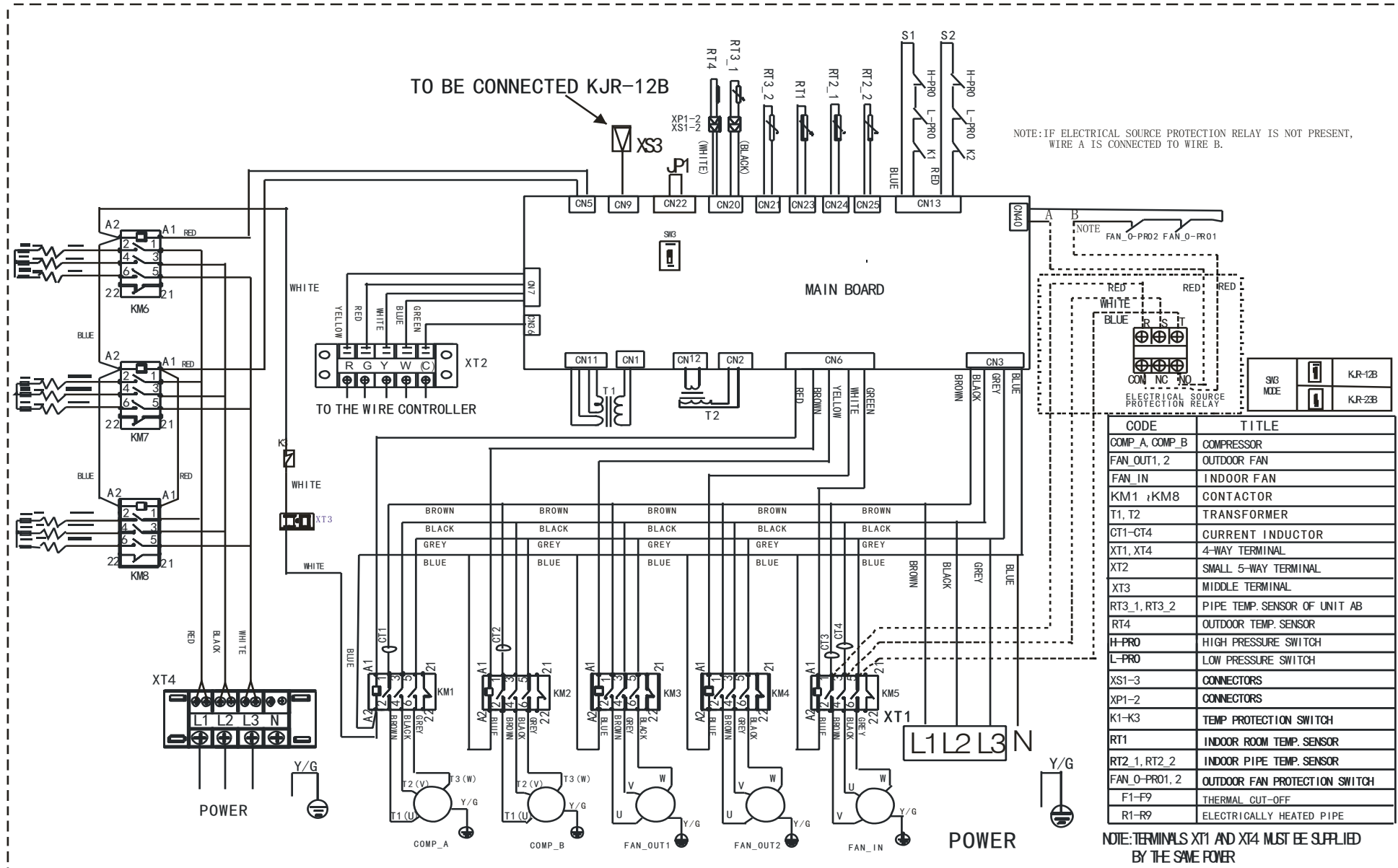


7.9 20ton

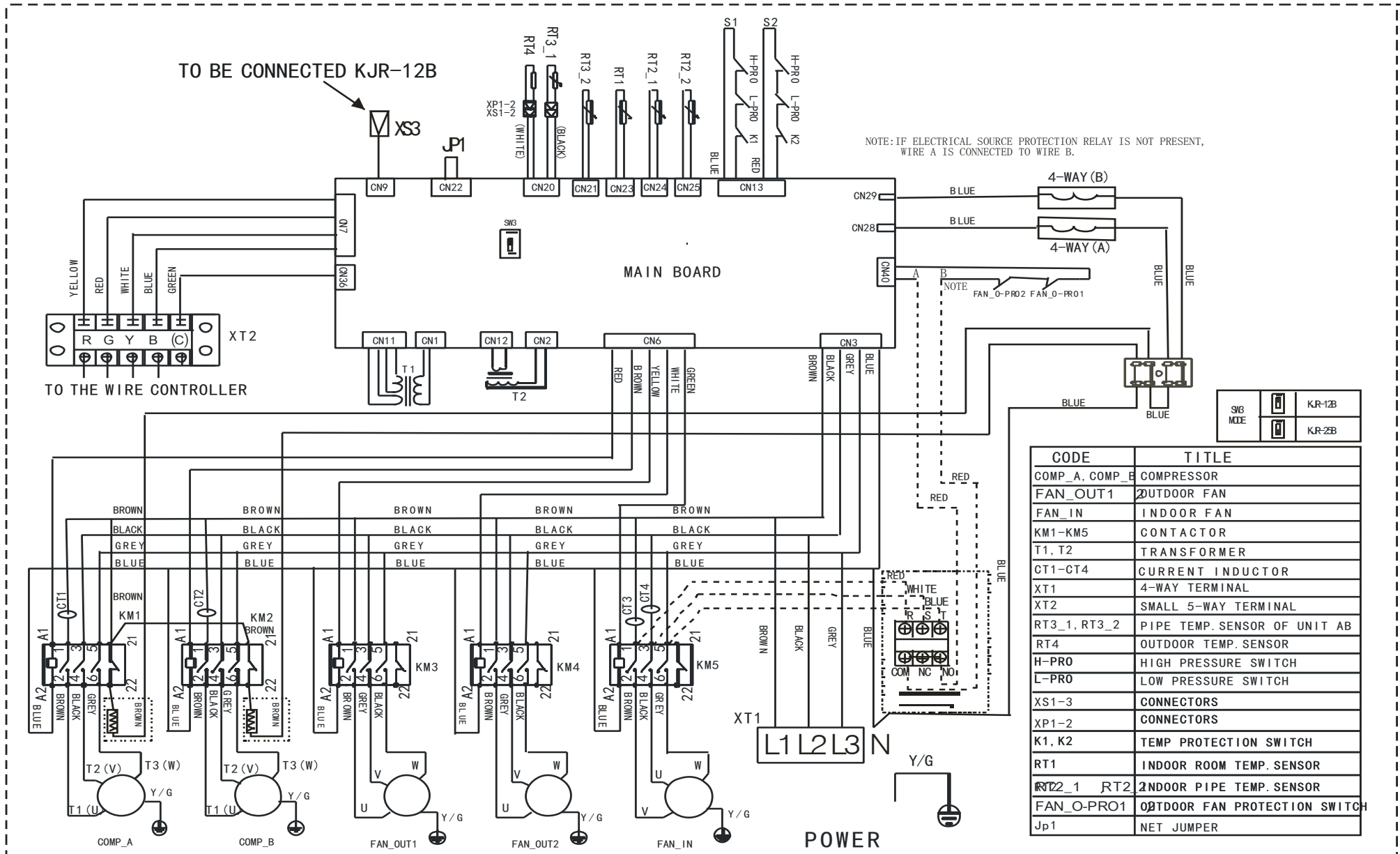
TMC70T3



TME70T3

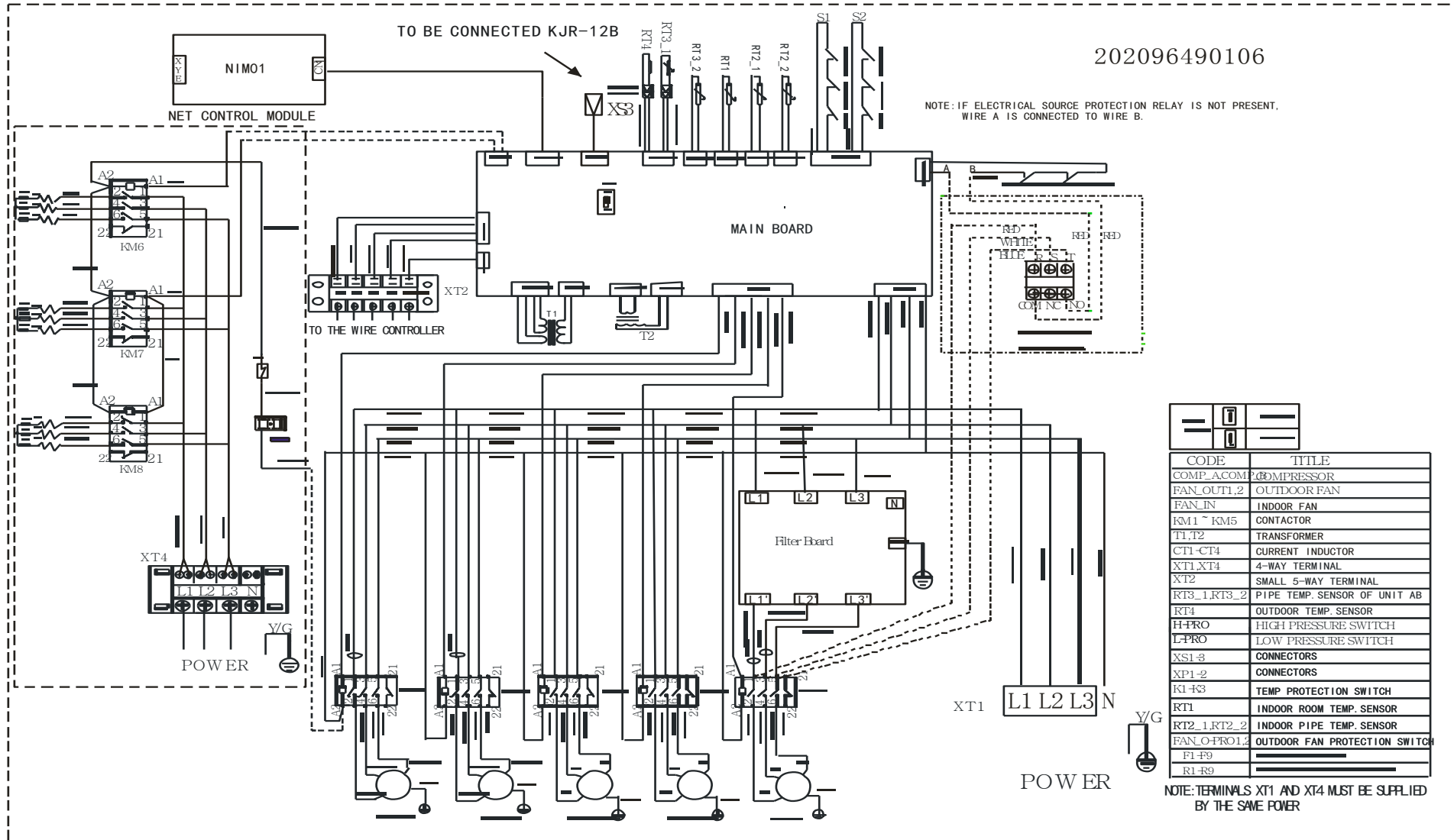


TMH70T3

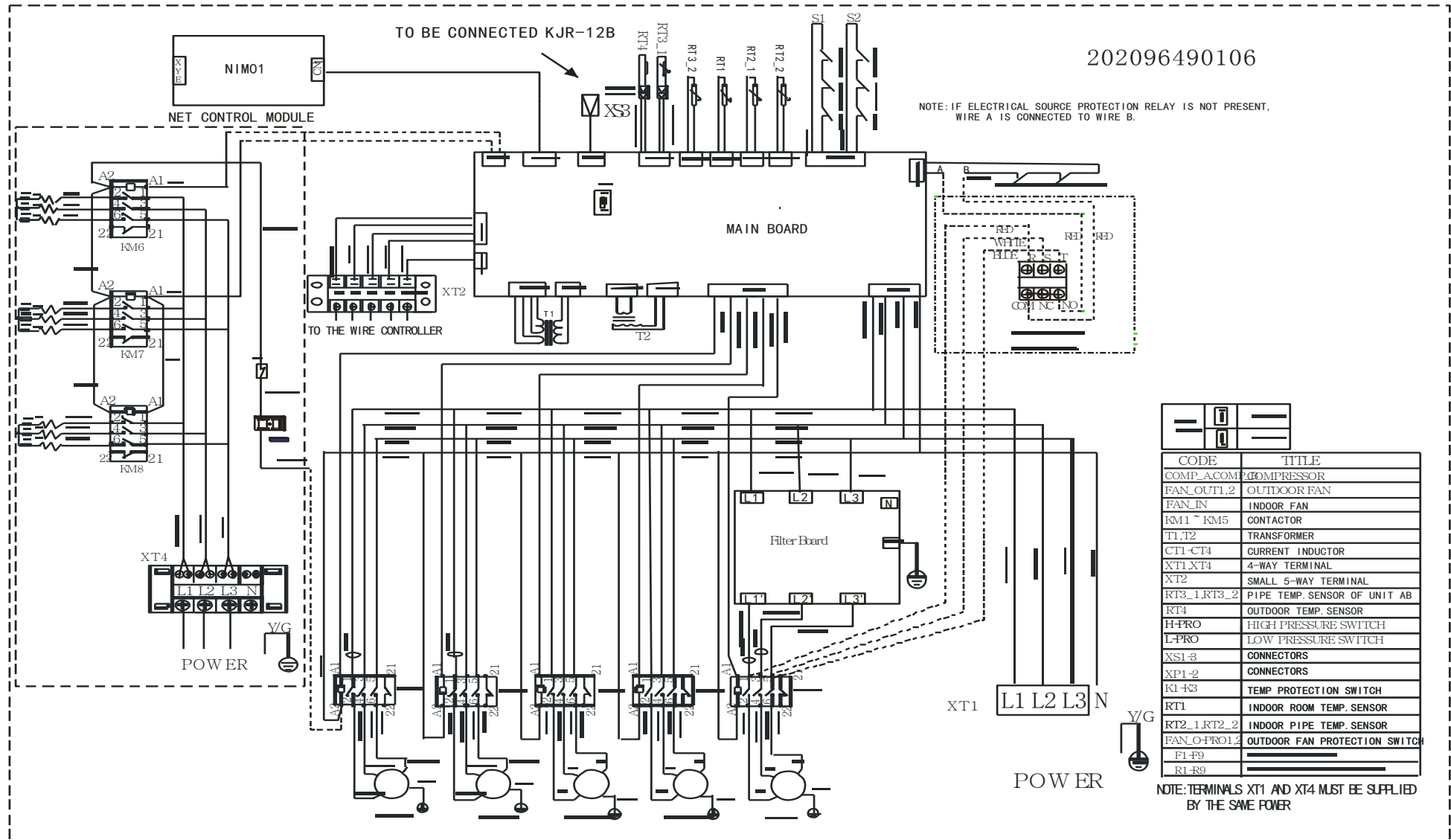


7.10 30ton

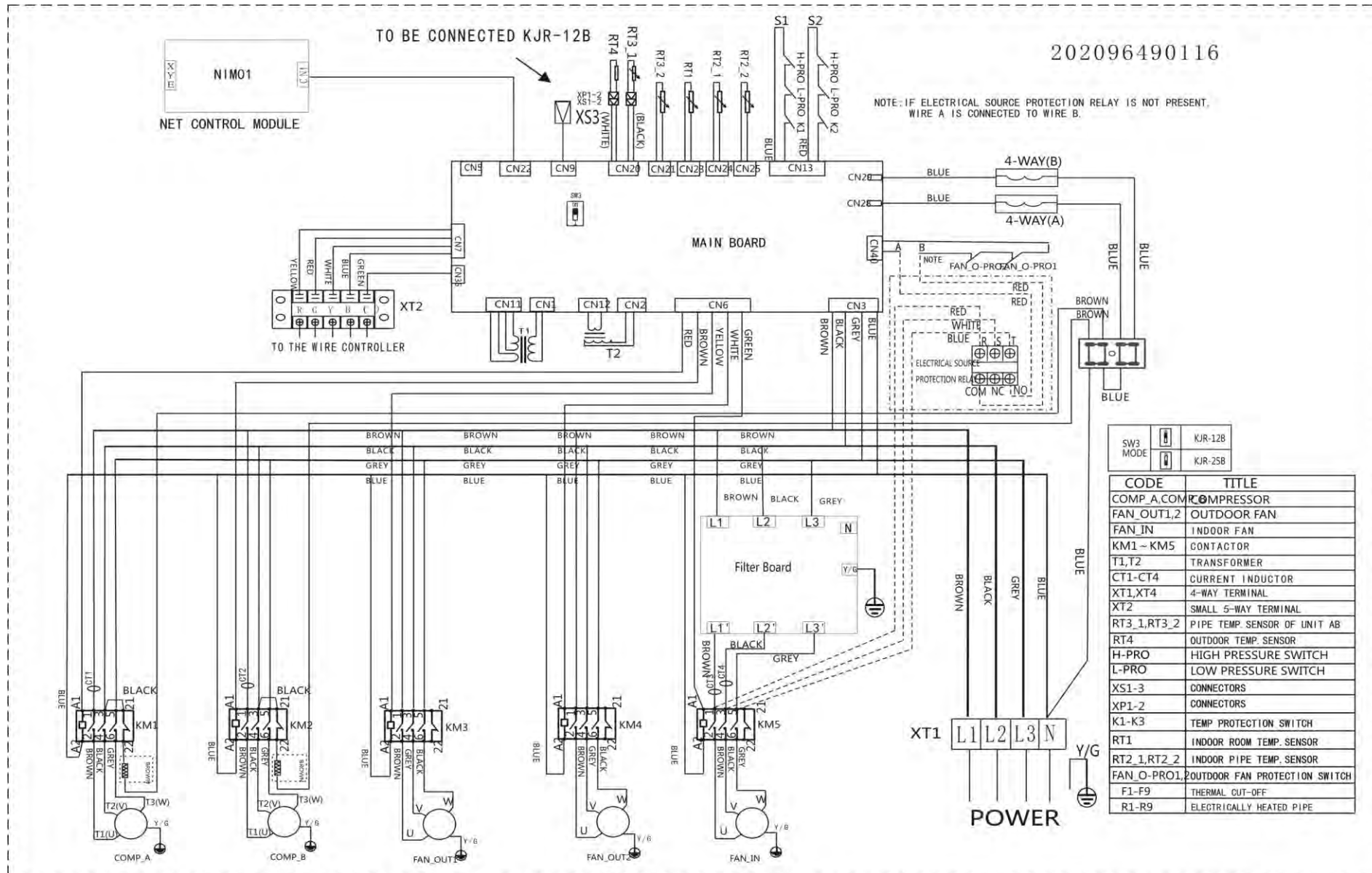
TMC105T3



TME105T3



TMH105T3



8. Performance Data

8.1 Cooling capacity for 5Ton:

	Air Flow		CFM	1800			
	Ent DB	(°F)		75	80	85	90
Ambient Temperature(°F)	75	61	TC	63.6	66.8	72.8	75
			SC	47.8	50.2	54.2	55.7
		67	TC	65.7	69	74.5	76.7
			SC	47.3	49	52.9	54.5
		73	TC	67.4	70.7	76.4	78.3
			SC	46.8	48.1	51.7	53.2
	85	61	TC	59.6	62.6	68.2	70.3
			SC	45.4	47.7	51.5	52.8
		67	TC	61.5	64.6	69.7	71.8
			SC	44.3	46.5	50.2	51.7
		73	TC	63	66.2	71.5	73.3
			SC	42.9	45.1	49.1	50.6
	95	61	TC	55.5	58.3	63	64.8
			SC	42.9	45	48.6	49.8
		67	TC	57.1	60	65	66.9
			SC	41.7	44	47.2	48.8
		73	TC	58.7	61.7	66.6	68.3
			SC	41.1	43.1	46.6	48
	105	61	TC	51.6	54.2	59	60.8
			SC	40.9	43	46.4	47.6
		67	TC	53.2	55.9	60.3	62.2
			SC	40.4	42.5	45.9	47.2
		73	TC	54.6	57.3	61.9	63.4
			SC	39.7	41.7	45.5	46.8
115	61	TC	47.4	49.7	54.2	55.8	
		SC	39.4	41.4	45.1	46.2	
	67	TC	48.8	51.2	55.7	57.4	
		SC	39	39.8	43.7	45.4	
	73	TC	49.9	52.4	57.1	58.6	
		SC	38.8	39.3	42.8	44.1	

Notes:

1. All capacities are gross and have not considered indoor fan heat. To obtain NET cooling capacity subtract indoor fan heat.
2. TC=Total Capacity. (Unit: 1000Btu/h).
3. SC=Sensible Capacity. (Unit: 1000Btu/h).

8.2 Cooling capacity for 6.2Ton:

Air Flow (CFM)			2200				2400				2600				2800				
Ent (DB)		(°F)	75	80	85	90	75	80	85	90	75	80	85	90	75	80	85	90	
Ambient Temperature	85	61	TC	63.4	64.8	66.2	67.6	67.5	68.9	70.4	72.0	69.2	70.7	72.2	73.8	70.6	72.1	73.7	75.3
			SC	55.1	61.6	65.8	67.6	59.1	64.9	68.2	70.7	63.0	65.1	68.0	71.7	66.5	70.0	72.7	74.2
		67	TC	73.8	75.4	77.0	78.7	74.7	76.4	78.0	79.7	75.4	77.0	78.7	80.4	75.9	77.5	79.2	81.0
			SC	40.6	51.8	62.8	73.4	42.7	55.0	65.9	75.1	43.9	56.0	68.2	78.3	45.0	57.7	70.3	78.9
		73	TC	77.0	78.7	80.4	82.1	77.5	79.2	80.9	82.6	77.7	79.4	81.1	82.9	78.0	79.7	81.3	83.1
			SC	24.7	36.8	46.1	54.9	25.2	36.5	46.3	57.1	25.6	40.0	47.2	57.4	26.0	41.6	47.9	58.6
	95	61	TC	60.1	61.5	62.8	64.2	62.1	63.5	64.9	66.4	64.1	65.5	67.0	68.4	65.8	67.2	68.7	70.2
			SC	52.5	57.6	59.6	62.5	54.8	60.1	62.3	65.8	57.2	60.7	64.3	67.0	64.5	65.6	67.4	69.2
		67	TC	66.0	67.5	69.0	70.4	67.3	73.1	75.3	76.5	70.9	75.0	76.6	78.0	72.5	76.6	79.0	79.8
			SC	39.2	50.9	62.6	66.5	41.2	54.2	66.8	70.9	43.3	57.1	70.4	71.4	45.3	59.7	73.6	74.7
		73	TC	76.4	78.0	79.7	81.4	76.8	78.5	80.2	81.9	77.1	78.8	80.5	82.2	77.0	78.7	80.4	82.1
			SC	23.8	36.1	46.3	56.6	24.2	36.9	47.8	59.0	24.7	37.6	49.1	60.6	25.2	40.6	50.2	62.2
	105	61	TC	54.6	55.8	57.1	58.3	56.6	57.8	59.1	60.4	58.3	59.6	61.0	62.3	59.9	61.3	62.6	64.0
			SC	49.8	51.4	53.9	55.5	53.8	54.9	58.2	59.9	57.3	58.3	59.5	61.6	58.0	60.1	61.5	63.4
		67	TC	65.0	66.5	67.9	69.4	66.6	68.1	69.6	71.1	67.9	69.4	70.9	72.5	69.0	70.5	72.0	73.6
			SC	36.8	48.6	60.6	66.6	39.0	49.6	65.5	70.0	41.2	55.6	70.3	71.7	43.4	58.9	69.8	71.8
		73	TC	74.2	75.8	77.5	79.1	74.2	75.8	77.4	79.1	75.4	77.0	78.7	80.4	75.8	77.4	79.1	80.8
			SC	22.5	35.0	47.9	58.6	22.5	36.2	49.1	60.3	23.6	37.8	50.5	62.1	24.0	38.8	51.9	64.3
	115	61	TC	48.9	50.0	51.1	52.2	50.5	51.6	52.7	53.9	52.7	53.8	55.0	56.3	54.6	55.8	57.1	58.3
			SC	47.1	48.3	49.8	51.6	45.4	48.0	50.8	52.1	50.5	52.1	53.7	55.5	53.1	53.8	55.9	57.7
		67	TC	58.5	59.8	61.1	62.5	60.0	61.4	62.7	64.1	61.4	62.7	64.1	65.5	62.6	63.9	65.4	66.8
			SC	34.0	46.1	57.4	61.5	36.3	49.4	59.9	63.1	38.5	53.0	63.1	65.2	40.7	56.6	63.1	66.0
		73	TC	70.4	72.0	73.6	75.2	66.4	67.8	69.3	70.9	72.2	73.8	75.4	77.0	72.8	74.4	76.0	77.6
			SC	21.0	32.8	45.4	58.2	21.5	34.6	47.3	59.7	22.1	36.2	50.0	63.2	22.6	38.0	52.3	66.3
125	61	TC	44.3	45.3	46.3	47.4	45.8	46.8	47.8	48.9	47.8	48.9	50.0	51.1	49.5	50.7	51.8	53.0	
		SC	42.7	43.8	45.1	46.8	41.1	43.5	46.1	47.2	45.8	47.2	48.7	50.5	48.2	48.9	50.7	52.4	
	67	TC	53.2	54.4	55.5	56.8	54.5	55.8	57.0	58.2	55.8	57.1	58.3	59.6	56.9	58.2	59.4	60.7	
		SC	30.7	41.8	52.2	55.9	32.8	44.9	54.4	57.3	34.8	48.1	57.3	59.3	36.8	51.4	57.3	60.0	
	73	TC	64.1	65.5	67.0	68.4	60.4	61.7	63.1	64.4	65.7	67.1	68.7	70.1	66.3	67.7	69.2	70.7	
		SC	18.7	29.6	41.1	52.9	19.2	31.2	42.9	54.3	19.7	32.7	45.3	57.5	20.3	34.4	47.5	60.3	

- Notes: 1. All capacities are gross and have not considered indoor fan heat. To obtain NET cooling capacity subtract indoor fan heat.
 2. TC=Total Capacity. (Unit: 1000Btu/h).
 3. SC=Sensible Capacity. (Unit: 1000Btu/h).

Heating capacity for 6.2Ton:

Outdoor Temp(° F) 70% RH	Net Capacities(kW)-2600 CFM							
	Peak Net Heating(kW) at Indicated Dry Bulb(° F)				Peak Total Power (kW) at Indicated Dry Bulb(° F)			
	59	68	75.2	80.6	59	68	75.2	80.6
23	15.7	15.2	14.8	14.3	6.0	6.3	6.5	6.7
26.6	17.4	16.9	16.4	15.9	6.3	6.6	6.8	7.0
32	19.3	18.8	18.2	17.7	6.7	6.9	7.2	7.4
37.4	22.8	22.1	21.4	20.8	7.0	7.3	7.5	7.8
44.6	26.8	26.0	25.2	24.5	7.4	7.6	7.9	8.2
48.2	28.7	27.8	27.0	26.2	7.5	8.3	8.8	9.3
53.6	30.4	29.5	28.6	27.7	7.8	8.7	9.1	9.7
59	32.2	31.3	30.3	29.4	7.9	8.9	9.3	9.9
64.4	34.1	33.1	32.1	31.2	8.2	9.0	9.6	10.2
69.8	36.2	35.1	34.1	33.0	8.3	9.2	9.7	10.2
75.2	38.3	37.2	36.1	35.0	8.5	9.3	10.1	10.4

- Notes: 1. For other airflows, see heating capacity correction factor tables.
 2. Heating capacities and power are integrated to include the effects of defrost in the frost region.

8.3 Cooling capacity for 7.5Ton:

Air Flow (CFM)			2600				2800				3000				3200				
Ambient Temperature	Ent (DB)		(°F)	75	80	85	90	75	80	85	90	75	80	85	90	75	80	85	90
	85	61	TC	75.3	77.0	78.6	80.3	80.1	81.8	83.6	85.4	82.1	83.9	85.7	87.6	83.8	85.6	87.5	89.4
SC			65.5	73.2	78.1	78.9	70.2	77.1	81.0	83.9	74.8	77.3	80.7	85.1	79.0	83.1	86.3	88.0	
67		TC	87.6	89.5	91.4	93.4	88.7	90.6	92.6	94.6	89.5	91.4	93.4	95.4	90.1	92.0	94.0	96.1	
		SC	48.4	61.6	74.6	87.1	50.8	65.4	78.2	89.1	52.3	66.6	81.0	92.9	53.6	68.6	83.5	93.6	
73		TC	91.4	93.4	95.4	97.4	92.0	94.0	96.0	98.0	92.2	94.2	96.2	98.3	92.5	94.5	96.5	98.6	
		SC	29.6	43.8	54.8	65.2	30.1	43.5	55.1	67.9	30.6	47.6	56.1	68.2	31.1	49.5	57.0	69.6	
95		61	TC	71.4	73.0	74.6	76.2	73.8	75.4	77.1	78.8	76.1	77.8	79.5	81.2	78.1	79.8	81.5	83.3
			SC	62.4	68.4	70.8	74.2	65.1	71.4	74.0	78.1	68.0	72.1	76.3	79.5	76.6	77.9	80.0	82.1
		67	TC	78.4	80.1	81.9	83.6	79.9	86.8	89.4	90.8	84.2	89.0	90.9	92.6	86.0	90.9	93.7	94.7
			SC	46.7	60.5	74.4	79.0	49.1	64.4	79.3	84.1	51.5	67.8	83.6	84.8	53.9	70.9	87.3	88.7
		73	TC	90.6	92.6	94.6	96.6	91.1	93.1	95.1	97.1	91.5	93.5	95.5	97.5	91.4	93.4	95.4	97.4
			SC	28.5	43.0	55.1	67.3	29.0	44.0	56.9	70.1	29.6	44.8	58.4	72.0	30.1	48.4	59.7	73.9
105		61	TC	64.9	66.3	67.8	69.3	67.2	68.7	70.2	71.8	69.3	70.8	72.4	74.0	71.2	72.8	74.4	76.0
			SC	59.2	61.1	64.1	66.0	64.0	65.2	69.1	71.2	68.1	69.3	70.7	73.2	68.9	71.4	73.1	75.3
		67	TC	77.2	78.9	80.6	82.4	79.1	80.8	82.6	84.4	80.6	82.4	84.1	86.0	81.9	83.7	85.5	87.4
			SC	43.8	57.8	72.0	79.1	46.5	59.0	77.8	83.1	49.1	66.1	83.4	85.1	51.6	70.0	82.9	85.2
		73	TC	88.1	90.0	92.0	93.9	88.0	89.9	91.8	93.8	89.5	91.4	93.4	95.4	89.9	91.8	93.8	95.8
			SC	27.0	41.7	57.0	69.6	26.9	43.2	58.4	71.6	28.2	45.0	60.0	73.7	28.7	46.2	61.7	76.3
115		61	TC	58.1	59.4	60.7	62.1	60.0	61.3	62.7	64.1	62.6	64.0	65.4	66.9	64.9	66.3	67.8	69.3
			SC	56.0	57.4	59.2	61.4	54.0	57.1	60.4	61.9	60.1	61.9	63.8	66.0	63.1	64.0	66.4	68.6
		67	TC	69.5	71.0	72.6	74.2	71.3	72.9	74.5	76.1	72.9	74.5	76.1	77.8	74.3	75.9	77.6	79.3
			SC	40.6	54.9	68.2	73.0	43.3	58.8	71.1	74.9	45.9	63.0	74.9	77.4	48.5	67.2	74.9	78.4
		73	TC	83.6	85.4	87.3	89.2	78.8	80.5	82.3	84.1	85.7	87.6	89.5	91.4	86.4	88.3	90.2	92.1
			SC	25.2	39.1	54.0	69.2	25.8	41.2	56.3	70.9	26.5	43.2	59.4	75.1	27.1	45.3	62.2	78.7
125	61	TC	52.7	53.9	55.1	56.4	54.5	55.7	56.9	58.2	56.8	58.1	59.4	60.8	58.9	60.3	61.6	63.0	
		SC	50.8	52.1	53.7	55.7	48.9	51.8	54.8	56.2	54.5	56.2	57.9	60.0	57.3	58.1	60.3	62.3	
	67	TC	63.2	64.6	66.0	67.5	64.8	66.3	67.7	69.2	66.3	67.8	69.3	70.8	67.6	69.1	70.6	72.1	
		SC	36.7	49.8	62.0	66.4	39.1	53.4	64.6	68.1	41.5	57.2	68.1	70.4	43.9	61.1	68.1	71.3	
	73	TC	76.1	77.8	79.5	81.2	71.7	73.3	74.9	76.5	78.0	79.7	81.5	83.2	78.7	80.4	82.1	83.9	
		SC	22.5	35.3	48.9	62.9	23.1	37.2	51.1	64.5	23.7	39.0	53.9	68.3	24.3	41.0	56.5	71.6	

- Notes: 1. All capacities are gross and have not considered indoor fan heat. To obtain NET cooling capacity subtract indoor fan heat.
 2. TC=Total Capacity. (Unit: 1000Btu/h).
 3. SC=Sensible Capacity. (Unit: 1000Btu/h).

Heating capacity for 7.5Ton:

Net Capacities(kW)-3000 CFM									
Outdoor Temp(°F) 70% RH	Peak Net Heating(kW) at Indicated Dry Bulb(°F)				Peak Total Power(kW) at Indicated Dry Bulb(°F)				
	59	68	75.2	80.6	59	68	75.2	80.8	
5	14.9	14.0	13.7	13.4	6.9	7.6	8.0	8.5	
10.4	16.0	15.3	15.0	14.9	7.1	7.7	8.1	8.6	
15.8	17.0	16.5	16.4	16.4	7.1	7.8	8.2	8.8	
21.2	17.8	17.3	17.1	16.9	7.2	7.9	8.3	8.9	
26.6	18.8	18.5	18.4	18.1	7.3	8.0	8.5	9.1	
32	20.3	20.0	19.7	19.4	7.4	8.1	8.6	9.2	
37.4	23.3	23.1	22.7	22.4	7.5	8.3	8.8	9.3	
44.6	30.3	30	29.6	29.2	7.8	8.8	9.1	9.6	
48.2	30.5	30.2	29.9	29.6	8.1	9.0	9.5	10.1	
53.6	32.4	33.5	33.4	33.1	8.4	9.4	9.9	10.5	
59	35.0	34.4	34.2	33.8	8.6	9.6	10.1	10.7	
64.4	37.1	36.4	36.0	35.7	8.9	9.8	10.4	11.0	
69.8	39.8	38.9	38.4	37.9	9.0	10.0	10.5	11.0	
75.2	42.0	40.9	40.2	39.8	9.2	10.1	10.9	11.3	

- Notes: 1. For other airflows, see heating capacity correction factor tables.
 2. Heating capacities and power are integrated to include the effects of defrost in the frost region.

8.4 Cooling capacity for 8.5Ton:

Air Flow (CFM)			3000				3300				3600				3900				
Ambient Temperature	Ent (DB)	(°F)	75	80	85	90	75	80	85	90	75	80	85	90	75	80	85	90	
			85	61	TC	884	902	922	942	908	928	948	968	932	951	972	992	950	970
SC	763	779			796	813	818	836	854	872	869	888	907	926	916	936	956	976	
67	TC	991		1012	1034	1056	1001	1022	1044	1066	1010	1032	1054	1076	1016	1047	1059	1082	
	SC	560		722	861	1003	581	741	900	1034	602	767	932	1051	615	788	956	1058	
73	TC	1029		1052	1074	1096	1033	1055	1077	1100	1035	1058	1080	1103	1046	1068	1090	1113	
	SC	342		489	615	750	347	497	629	762	353	551	639	776	359	581	655	801	
95	61	TC		814	832	850	868	841	859	878	896	866	885	904	924	885	902	924	944
		SC		728	744	759	776	783	800	818	836	836	854	873	892	794	812	830	848
	67	TC		950	971	992	1013	983	1022	1034	1048	994	1030	1036	1067	1005	1042	1047	1076
		SC		540	703	864	991	570	746	910	998	596	784	964	1034	620	818	1010	1032
	73	TC		1020	1041	1064	1087	1022	1044	1066	1089	1028	1051	1073	1095	1031	1053	1076	1098
		SC		330	494	632	771	338	505	656	806	340	512	668	830	348	522	686	848
105	61	TC		743	759	776	793	771	788	806	823	788	806	823	841	820	838	856	874
		SC		692	708	723	739	749	765	782	799	734	750	766	782	800	818	836	854
	67	TC		878	897	917	937	901	920	940	960	915	935	955	975	930	950	970	991
		SC		512	674	841	924	544	722	908	944	569	776	923	941	600	814	924	973
	73	TC		994	1016	1037	1059	1001	1022	1044	1066	1006	1028	1050	1072	1011	1033	1055	1077
		SC		313	475	627	776	320	495	664	822	325	512	678	848	330	530	715	879
115	61	TC		673	687	703	718	698	713	728	745	724	740	756	772	754	770	788	805
		SC		658	673	687	703	672	686	702	717	706	722	737	753	741	758	774	791
	67	TC		801	818	836	854	818	850	854	872	838	856	875	894	860	879	898	917
		SC		477	646	808	825	510	689	836	854	540	740	853	880	568	787	878	897
	73	TC		955	975	996	1017	962	983	1004	1026	968	989	1010	1032	971	992	1013	1034
		SC		295	458	620	779	301	482	656	825	308	506	686	870	313	525	715	899
125	61	TC	606	619	632	647	628	642	656	671	652	667	686	696	680	694	710	725	
		SC	592	605	619	632	605	618	632	646	636	650	664	679	668	682	698	713	
	67	TC	722	738	754	770	737	772	775	787	756	774	789	806	776	793	810	828	
		SC	428	581	728	745	458	620	753	770	485	666	769	794	511	709	793	810	
	73	TC	862	880	899	919	869	888	907	926	874	893	913	932	877	896	914	934	
		SC	262	410	557	702	267	433	590	744	273	453	618	785	278	471	644	812	

- Notes: 1. All capacities are gross and have not considered indoor fan heat. To obtain NET cooling capacity subtract indoor fan heat.
 2. TC=Total Capacity. (Unit: 1000Btu/h).
 3. SC=Sensible Capacity. (Unit: 1000Btu/h).

Heating capacity for 8.5Ton:

Outdoor Temp(°F) 70% RH	Net Capacities(kW)-3600 CFM							
	Peak Net Heating(kW) at Indicated Dry Bulb(°F)				Peak Total Power(kW) at Indicated Dry Bulb(°F)			
	59	68	75.2	80.6	59	68	75.2	80.8
5	18.7	17.6	17.2	16.9	8.6	8.8	9.2	9.7
10.4	20.1	19.3	18.9	18.7	8.8	8.9	9.4	9.9
15.8	21.4	20.8	20.6	20.6	8.9	9.1	9.6	10.1
21.2	22.4	21.8	21.6	21.3	9.0	9.3	9.9	10.3
26.6	23.7	23.4	23.2	22.8	9.1	9.6	10.1	10.5
32	25.5	25.2	24.8	24.5	9.2	9.8	10.3	10.8
37.4	29.4	29.1	28.7	28.3	9.4	10.0	10.5	11.0
44.6	35.4	35.0	33.0	32.8	9.7	10.2	10.7	11.2
48.2	38.5	38.0	37.7	37.3	9.9	10.4	10.9	11.5
53.6	40.9	42.3	42.1	41.7	10.1	10.6	11.1	11.7
59	44.1	43.4	43.1	42.7	10.3	10.9	11.4	12.1
64.4	46.7	45.9	45.4	45.0	10.5	11.1	11.7	12.3
69.8	50.1	49.1	48.4	47.8	10.9	11.4	11.9	12.5
75.2	53.0	51.6	50.7	50.1	11.1	11.6	12.2	12.8

- Notes: 1. For other airflows, see heating capacity correction factor tables.
 2. Heating capacities and power are integrated to include the effects of defrost in the frost region.

8.5 Cooling capacity for 10Ton:

Air Flow (CFM)			3600				3800				4000				4200				
Ambient Temperature	Ent (DB)	(°F)	75	80	85	90	75	80	85	90	75	80	85	90	75	80	85	90	
			85	61	TC	104.1	106.3	108.6	110.9	107.0	109.3	111.6	114.0	109.7	112.0	114.4	116.8	111.8	114.2
SC	90.0	91.9			93.9	95.9	96.4	98.5	100.6	102.7	102.4	104.6	106.8	109.1	107.9	110.2	112.5	114.9	
67	TC	116.6		119.1	121.6	124.2	117.8	120.3	122.8	125.4	118.9	121.4	124.0	126.6	119.5	123.2	124.6	127.2	
	SC	66.4		85.2	101.5	118.0	68.8	87.5	106.0	121.7	71.2	90.5	109.7	123.6	72.8	92.9	112.6	124.4	
73	TC	121.1		123.7	126.3	128.9	121.5	124.1	126.7	129.4	121.8	124.4	127.0	129.7	123.0	125.6	128.2	130.9	
	SC	40.9		58.1	72.8	88.5	41.5	59.0	74.4	89.9	42.2	65.3	75.6	91.6	42.9	68.8	77.4	94.5	
95	61	TC		96.0	98.1	100.2	102.3	99.1	101.2	103.4	105.6	102.1	104.3	106.5	108.8	104.3	106.5	108.8	111.1
		SC		85.9	87.8	89.6	91.6	92.4	94.4	96.4	98.5	98.6	100.7	102.9	105.1	93.7	95.7	97.8	99.9
	67	TC		111.9	114.3	116.7	119.2	115.7	120.2	121.7	123.3	117.0	121.2	121.9	125.5	118.3	122.6	123.2	126.5
		SC		64.0	83.0	101.8	116.6	67.5	88.0	107.2	117.5	70.6	92.5	113.5	121.6	73.4	96.4	118.9	121.4
	73	TC		120.0	122.5	125.1	127.8	120.3	122.8	125.4	128.1	121.0	123.6	126.2	128.8	121.3	123.9	126.5	129.1
		SC		39.5	58.6	74.7	91.0	40.4	59.9	77.5	95.1	40.7	60.8	79.0	97.9	41.6	61.9	81.1	100.0
105	61	TC		87.7	89.6	91.5	93.5	91.0	93.0	95.0	97.0	93.0	95.0	97.0	99.1	96.7	98.8	100.9	103.0
		SC		81.8	83.6	85.4	87.2	88.4	90.3	92.2	94.2	86.6	88.5	90.4	92.3	94.4	96.4	98.5	100.6
	67	TC		103.5	105.7	108.0	110.3	106.1	108.4	110.7	113.0	107.8	110.1	112.4	114.8	109.5	111.8	114.2	116.6
		SC		60.8	79.6	99.1	108.8	64.5	85.3	106.9	111.1	67.4	91.5	108.7	110.8	71.0	96.0	108.8	114.5
	73	TC		117.0	119.5	122.0	124.6	117.8	120.3	122.8	125.4	118.4	120.9	123.5	126.1	119.0	121.5	124.1	126.7
		SC		37.5	56.4	74.2	91.5	38.4	58.8	78.5	96.9	38.9	60.7	80.1	100.0	39.5	62.9	84.4	103.6
115	61	TC		79.5	81.2	83.0	84.8	82.4	84.2	86.0	87.9	85.5	87.3	89.2	91.1	89.0	90.9	92.9	94.9
		SC		77.8	79.5	81.2	83.0	79.4	81.1	82.9	84.7	83.4	85.2	87.0	88.9	87.5	89.4	91.3	93.3
	67	TC		94.5	96.5	98.6	100.7	96.4	100.2	100.6	102.7	98.8	100.9	103.1	105.3	101.4	103.6	105.8	108.0
		SC		56.7	76.4	95.3	97.3	60.5	81.4	98.5	100.6	64.0	87.3	100.5	103.7	67.3	92.8	103.5	105.7
	73	TC		112.4	114.8	117.2	119.7	113.3	115.7	118.2	120.7	114.0	116.4	118.9	121.4	114.3	116.7	119.2	121.7
		SC		35.4	54.5	73.3	91.9	36.1	57.3	77.5	97.3	36.9	60.0	81.1	102.5	37.5	62.3	84.4	105.9
125	61	TC	71.7	73.2	74.8	76.5	74.3	75.9	77.6	79.3	77.1	78.8	80.5	82.2	80.3	82.0	83.8	85.6	
		SC	70.1	71.6	73.2	74.8	71.6	73.1	74.7	76.4	75.2	76.8	78.5	80.2	78.9	80.6	82.4	84.2	
	67	TC	85.3	87.1	89.0	90.9	87.0	91.1	91.4	92.8	89.2	91.3	93.1	95.1	91.6	93.5	95.5	97.6	
		SC	50.9	68.8	86.0	87.9	54.4	73.4	88.9	90.8	57.6	78.7	90.7	93.7	60.6	83.7	93.5	95.5	
	73	TC	101.6	103.7	105.9	108.2	102.4	104.6	106.8	109.1	103.0	105.2	107.5	109.7	103.3	105.5	107.7	110.0	
		SC	31.6	48.9	66.0	82.9	32.2	51.5	69.8	87.8	32.9	53.9	73.1	92.6	33.5	56.0	76.1	95.7	

- Notes: 1. All capacities are gross and have not considered indoor fan heat. To obtain NET cooling capacity subtract indoor fan heat.
 2. TC=Total Capacity. (Unit: 1000Btu/h).
 3. SC=Sensible Capacity. (Unit: 1000Btu/h).

Heating capacity for 10Ton:

Outdoor Temp(°F) 70% RH	Net Capacities(KW)-3800 CFM							
	Peak Net Heating(KW) at Indicated Dry Bulb(°F)				Peak Total Power(KW) at Indicated Dry Bulb(°F)			
	59	68	75.2	80.6	59	68	75.2	80.8
5	19.8	18.6	18.2	17.9	9.2	10.1	10.7	11.3
10.4	21.3	20.4	20	19.8	9.4	10.3	10.8	11.5
15.8	22.6	22	21.8	21.8	9.5	10.4	10.9	11.7
21.2	23.7	23	22.8	22.5	9.6	10.5	11.1	11.9
26.6	25.1	24.7	24.5	24.1	9.7	10.6	11.3	12.1
32	27	26.6	26.2	25.9	9.8	10.8	11.5	12.2
37.4	31.1	30.8	30.3	29.9	10	11	11.7	12.4
44.6	37.8	37	36.3	35.7	10.4	10.9	11.9	12.8
48.2	40.7	40.2	39.8	39.4	10.8	12	12.7	13.5
53.6	43.2	44.7	44.5	44.1	11.2	12.5	13.2	14
59	46.6	45.9	45.6	45.1	11.5	12.8	13.5	14.3
64.4	49.4	48.5	48	47.6	11.8	13.1	13.9	14.6
69.8	53	51.9	51.2	50.5	12	13.3	14	14.7
75.2	56	54.5	53.6	53	12.3	13.5	14.5	15

- Notes: 1. For other airflows, see heating capacity correction factor tables.
 2. Heating capacities and power are integrated to include the effects of defrost in the frost region.

8.6 Cooling capacity for 12.5Ton:

	ArFlow (CFM)		(F)	4600				5100				5600				6100			
				75	80	85	90	75	80	85	90	75	80	85	90	75	80	85	90
	Ent	DB	Ambient Temperature																
85	61	TC	1295	1321	1349	1376	1330	1367	1385	1414	1362	1390	1418	1447	1387	1416	1445	1475	
		SC	1126	1148	1172	1196	1202	1228	1253	1278	1274	1301	1327	1355	1340	1368	1396	1424	
	67	TC	1445	1475	1505	1536	1459	1489	1519	1550	1472	1502	1534	1565	1480	1524	1541	1572	
		SC	842	1068	1264	1462	87.1	1096	1318	1506	90.0	1132	1362	1529	91.9	1160	1397	1538	
	73	TC	1499	1530	156.1	1592	1504	1535	1566	1598	1507	1538	1570	1602	1522	1553	1584	1616	
		SC	536	743	919	1108	544	754	938	1124	552	829	953	1145	560	87.1	97.4	1180	
	95	61	TC	1198	1223	1248	127.3	1235	1260	1286	131.3	127.1	1297	1324	135.1	129.7	1321	135.1	137.9
			SC	1076	1099	112.1	114.5	1154	117.8	120.2	122.8	122.9	125.4	128.0	130.7	117.0	119.4	121.9	124.4
		67	TC	1388	1417	144.6	147.6	1434	148.8	150.6	152.5	145.0	150.0	150.8	155.2	146.5	151.7	152.4	156.4
			SC	814	104.2	126.7	144.5	85.6	110.2	133.2	145.6	89.3	115.6	140.8	150.5	92.6	120.2	147.2	150.2
		73	TC	1486	151.6	154.7	157.9	148.9	151.9	155.0	158.3	149.8	152.9	156.0	159.1	150.1	153.2	156.4	159.5
			SC	520	749	942	113.8	530	764	97.6	118.7	534	77.5	99.4	122.0	54.5	78.8	101.9	124.6
105	61	TC	1098	112.1	114.4	116.8	113.8	116.2	118.6	121.0	116.2	118.6	121.0	123.5	120.6	123.1	125.6	128.2	
		SC	1027	104.9	107.0	109.2	110.6	112.9	115.2	117.6	108.5	110.8	113.0	115.3	117.8	120.2	122.8	125.3	
	67	TC	1288	131.4	134.2	136.9	131.9	134.6	137.4	140.2	133.9	136.7	139.4	142.3	136.0	138.7	141.6	144.5	
		SC	775	100.1	123.5	135.1	82.0	106.9	132.8	137.9	85.4	114.4	135.0	137.5	89.8	119.8	135.1	142.0	
	73	TC	1450	148.0	151.0	154.1	145.9	148.9	151.9	155.0	146.6	149.6	152.8	155.9	147.4	150.4	153.5	156.6	
		SC	496	722	936	114.4	50.6	75.1	98.8	120.8	51.2	77.4	100.7	124.6	52.0	80.0	105.8	128.9	
115	61	TC	1000	1020	104.2	106.3	103.4	105.6	107.8	110.0	107.2	109.3	111.6	113.9	111.4	113.6	116.0	118.4	
		SC	97.9	100.0	102.0	104.2	99.8	101.9	104.0	106.2	104.6	106.8	109.0	111.2	109.6	111.8	114.1	116.5	
	67	TC	1180	120.4	122.9	125.4	120.2	124.8	125.3	127.8	123.1	125.6	128.3	130.9	126.2	128.9	131.5	134.2	
		SC	726	96.2	118.9	121.3	77.2	102.2	122.8	125.3	81.4	109.3	125.2	129.0	85.3	115.9	128.8	131.4	
	73	TC	1394	142.3	145.2	148.2	140.5	143.4	146.4	149.4	141.4	144.2	147.2	150.2	141.7	144.6	147.6	150.6	
		SC	470	700	925	114.8	47.9	73.3	97.6	121.3	48.8	76.6	101.9	127.6	49.6	79.3	105.8	131.6	
125	61	TC	906	92.4	94.3	96.4	93.7	95.6	97.7	99.7	97.1	99.1	101.8	103.2	100.9	103.0	105.1	107.3	
		SC	88.7	90.5	92.4	94.3	90.5	92.3	94.2	96.2	94.8	96.7	98.8	100.8	99.2	101.3	103.4	105.6	
	67	TC	1069	109.1	111.4	113.6	109.0	113.9	114.2	115.9	111.6	114.1	116.3	118.7	114.5	116.8	119.2	121.7	
		SC	656	87.1	107.8	110.0	69.8	92.6	111.2	113.5	73.7	99.0	113.4	117.0	77.3	105.0	116.8	119.2	
	73	TC	1265	129.0	131.6	134.4	127.4	130.1	132.7	135.5	128.2	130.8	133.6	136.2	128.5	131.2	133.8	136.6	
		SC	425	632	838	104.0	43.2	66.4	88.3	109.9	44.0	69.2	92.3	115.7	44.8	71.8	95.9	119.4	

- Notes: 1. All capacities are gross and have not considered indoor fan heat. To obtain NET cooling capacity subtract indoor fan heat.
 2. TC=Total Capacity. (Unit: 1000Btu/h).
 3. SC=Sensible Capacity. (Unit: 1000Btu/h).

Heating capacity for 12.5Ton:

Outdoor Temp(°F) 70% RH	Net Capacities(kW)-5600 CFM							
	Peak Net Heating(kW) at Indicated Dry Bulb(°F)				Peak Total Power (kW) at Indicated Dry Bulb(°F)			
	59	70	75	80	59	70	75	80
23	29.2	28.4	28.1	27.8	12.1	13.2	13.9	14.9
27	30.9	30.5	30.2	29.7	12.2	13.3	14.2	15.1
32	33.3	32.8	32.3	31.9	12.3	13.5	14.4	15.3
37	38.3	37.9	37.3	36.8	12.6	13.8	14.6	15.5
43	44.1	43.5	43.0	42.7	13.0	14.0	15.1	16.0
48	50.1	49.5	49.0	48.5	13.5	15.0	15.9	16.9
54	53.2	55.0	54.8	54.3	14.0	15.6	16.5	17.5
60	57.4	56.5	56.1	55.5	14.4	16.0	16.9	17.8
64	60.8	59.7	59.1	58.6	14.8	16.4	17.3	18.2
70	65.2	63.9	63.0	62.2	15.0	16.6	17.5	18.3
75	68.9	67.1	66.0	65.2	15.4	16.9	18.1	18.7

- Notes: 1. For other airflows, see heating capacity correction factor tables.
 2. Heating capacities and power are integrated to include the effects of defrost in the frost region.

8.8 Cooling capacity for 17.5Ton:

AirFlow (CFM)			7000				7300				7600				7900					
			75	80	85	90	75	80	85	90	75	80	85	90	75	80	85	90		
Ambient Temperature	Ent (DB)	(°F)																		
			85	61	TC	1862	1885	1969	2081	1912	1954	2039	2150	1934	1983	2108	2206	2011	2039	2151
	SC	1494			177.3	188.9	199.6	157.6	188.5	197.7	208.4	166.1	190.3	202.4	211.8	173.2	195.6	206.5	214.4	
	67	TC		2088	211.3	213.7	216.7	2150	216.5	217.7	219.2	217.6	219.3	220.6	222.3	219.3	220.6	223.5	224.8	
		SC		118.7	145.1	170.4	196.9	123.9	150.8	178.7	205.2	126.1	155.0	184.4	213.7	129.0	159.2	189.9	220.6	
	73	TC	2206	224.8	227.7	230.5	223.1	226.2	230.5	233.1	226.0	229.1	231.7	234.6	229.1	232.7	235.5	238.4		
		SC	81.4	109.6	132.8	155.0	83.0	112.1	135.7	157.5	84.5	113.2	138.0	163.4	85.9	114.4	139.8	167.8		
	95	61	TC	174.5	178.7	187.2	199.7	176.7	184.4	195.5	206.6	183.0	187.2	201.1	212.2	187.2	194.1	206.6	216.5	
			SC	142.3	170.4	181.5	193.6	150.8	178.7	189.6	200.4	159.2	181.5	195.0	205.9	166.1	188.3	200.4	209.9	
		67	TC	195.5	198.3	201.1	205.2	203.9	205.0	208.1	209.5	210.8	212.5	213.8	215.0	211.5	214.4	216.2	225.5	
			SC	113.2	139.6	166.1	192.6	118.0	146.5	174.6	203.9	122.6	150.9	183.0	212.2	126.0	157.9	189.9	215.2	
		73	TC	215.1	217.7	220.5	223.5	216.7	219.0	222.4	226.2	218.6	221.4	224.3	225.6	222.9	227.1	229.9	232.7	
			SC	77.7	105.4	130.2	153.6	79.4	109.0	133.7	159.2	80.9	110.9	137.0	163.4	82.5	112.7	139.6	167.6	
		105	61	TC	162.2	166.5	175.0	189.1	167.8	172.1	186.2	194.7	170.7	177.7	193.2	205.9	175.0	184.8	198.9	210.2
				SC	135.7	159.7	167.8	181.4	145.3	165.1	178.6	186.8	153.7	172.3	187.3	197.2	159.2	179.2	192.8	203.9
	67		TC	186.2	189.1	193.2	194.7	187.6	191.8	197.4	200.3	197.4	200.3	203.2	205.9	201.7	204.5	207.3	212.5	
			SC	107.1	134.0	160.6	188.6	123.6	141.0	170.4	194.2	116.2	148.0	178.7	199.7	120.5	153.6	187.2	210.2	
	73		TC	211.5	213.0	214.4	215.8	214.4	215.8	217.3	220.0	217.3	218.6	220.0	221.4	218.6	220.0	221.4	224.3	
			SC	73.8	100.9	126.7	150.9	75.4	104.4	131.0	157.9	76.9	107.9	134.6	161.9	78.4	109.4	137.9	169.2	
	115		61	TC	148.1	153.7	167.8	182.0	152.4	160.9	175.0	189.1	156.6	159.6	171.6	196.1	160.9	172.1	187.6	200.3
				SC	129.9	149.0	162.8	176.4	138.0	154.3	167.8	181.4	145.3	154.8	167.0	190.1	144.6	166.9	182.0	194.2
		67	TC	175.0	177.7	179.1	182.0	176.3	180.6	183.3	186.2	186.2	189.1	193.2	198.1	190.4	193.2	196.1	200.3	
			SC	111.4	128.6	155.1	182.0	117.1	136.1	165.0	186.2	122.7	142.5	172.1	192.2	115.3	149.5	183.3	196.3	
		73	TC	197.4	200.3	203.2	204.5	203.2	205.9	207.3	208.8	207.3	208.8	210.2	211.5	208.8	210.2	211.5	213.0	
SC			69.8	96.8	123.5	149.5	71.4	101.6	128.4	155.1	74.7	104.4	134.0	163.6	74.7	108.6	136.8	166.5		
125		61	TC	142.4	147.8	161.3	173.0	146.4	154.5	168.1	181.7	150.5	159.9	175.0	188.5	154.5	165.4	180.3	192.5	
			SC	124.8	143.3	156.5	167.7	132.8	149.8	163.0	176.2	139.6	155.1	169.6	182.8	139.0	158.8	173.0	184.8	
	67	TC	168.1	170.8	172.2	175.0	169.5	173.6	176.2	179.0	179.0	181.7	185.7	190.2	183.0	185.7	188.5	194.8		
		SC	99.0	123.6	149.2	175.0	112.1	130.8	158.7	173.6	118.0	136.9	165.4	184.5	110.9	143.7	176.2	188.9		
	73	TC	189.9	192.5	195.3	196.6	195.3	198.0	199.3	200.6	199.3	200.6	202.0	203.4	200.6	202.0	203.4	204.8		
		SC	67.1	93.0	118.7	143.7	68.5	97.6	123.4	149.2	71.9	100.3	128.7	157.3	71.9	104.4	131.5	159.9		

- Notes: 1. All capacities are gross and have not considered indoor fan heat. To obtain NET cooling capacity subtract indoor fan heat.
 2. TC=Total Capacity. (Unit: 1000Btu/h).
 3. SC=Sensible Capacity. (Unit: 1000Btu/h).

Heating capacity for 17.5Ton:

Outdoor Temp(°F) 70% RH	Net Capacities(kW)-7300 CFM							
	Peak Net Heating(kW) at Indicated Dry Bulb(°F)				Peak Total Power(kW) at Indicated Dry Bulb(°F)			
	59	68	75.2	80.6	59	68	75.2	80.8
5	35.6	33.5	32.8	32.3	15.6	17.2	18.2	19.2
10.4	38.4	36.7	36.0	35.6	15.9	17.5	18.3	19.5
15.8	40.7	39.6	39.2	39.2	16.2	17.6	18.5	19.9
21.2	42.7	41.4	41.0	40.6	16.3	17.9	18.9	20.2
26.6	45.2	44.5	44.2	43.4	16.5	18.0	19.2	20.6
32	48.6	47.9	47.2	46.7	16.6	18.3	19.5	20.7
37.4	56.0	55.4	54.6	53.9	17.0	18.6	19.9	21.0
44.6	68.5	67.0	62.9	62.5	17.6	19.8	20.6	21.7
48.2	73.3	72.4	71.6	70.9	18.3	20.3	21.6	22.9
53.6	77.8	80.5	80.2	79.4	19.0	21.2	22.4	23.7
59	83.9	82.7	82.1	81.2	19.5	21.7	22.9	24.3
64.4	88.9	87.4	86.4	85.7	20.0	22.3	23.6	24.7
69.8	95.4	93.5	92.2	91.0	20.3	22.6	23.7	25.0
75.2	100.8	98.2	96.5	95.4	20.9	22.9	24.6	25.4

- Notes: 1. For other airflows, see heating capacity correction factor tables.
 2. Heating capacities and power are integrated to include the effects of defrost in the frost region.

8.9 Cooling capacity for 20Ton:

AirFlow (CFM)			6800				7600				8400				9200				
Ambient Temperature	Ert (DB)	(°F)	75	80	85	90	75	80	85	90	75	80	85	90	75	80	85	90	
			85	61	TC	209.7	212.3	222.1	234.9	215.6	220.3	230.0	242.9	218.0	223.7	238.2	249.4	227.0	230.0
SC	167.3	199.5			215.2	227.7	176.9	212.3	222.9	235.4	186.7	216.8	230.8	241.7	194.8	222.9	235.6	244.9	
67	TC	235.7		238.7	241.4	244.8	242.9	244.7	246.1	247.8	246.0	247.9	249.4	251.3	247.9	249.4	252.6	254.3	
	SC	131.9		162.4	191.5	222.1	138.1	168.9	201.1	231.7	140.5	173.8	207.6	241.4	143.8	178.7	214.0	249.4	
73	TC	249.4		254.3	257.5	260.8	252.3	255.9	260.8	263.8	255.6	259.1	262.2	265.5	259.1	263.4	266.6	269.9	
	SC	89.0		121.5	148.1	173.8	90.8	124.4	151.6	176.7	92.6	125.6	154.3	183.4	94.2	127.0	156.3	188.6	
95	61	TC		196.2	201.1	210.9	225.3	198.8	207.6	220.5	233.3	206.0	210.9	227.0	239.8	210.9	218.8	233.3	244.7
		SC		159.2	191.5	204.3	218.4	168.9	199.1	211.4	223.7	178.7	204.3	219.9	232.4	186.7	212.1	226.1	237.1
	67	TC		220.5	223.7	227.0	231.7	230.0	233.6	234.9	236.5	238.2	240.0	241.6	242.9	239.0	242.2	244.3	247.1
		SC		125.6	156.1	186.7	217.2	131.1	164.1	196.4	230.0	136.4	169.1	206.0	239.8	140.3	177.1	214.0	227.1
	73	TC		243.0	246.1	249.2	252.6	244.8	247.6	251.5	255.9	247.1	250.4	253.6	255.2	252.0	256.9	260.1	263.4
		SC		84.8	116.6	145.2	172.2	86.7	120.8	149.3	178.7	88.5	123.0	153.0	183.4	90.3	125.1	156.1	188.3
105	61	TC		182.1	187.0	196.7	213.0	188.6	193.5	209.7	219.5	191.9	200.0	217.9	232.5	196.7	208.1	224.4	237.4
		SC		151.6	181.2	190.6	206.4	162.6	187.5	203.2	212.7	172.4	193.8	211.1	225.3	178.7	201.7	217.4	230.0
	67	TC		209.7	213.0	217.9	219.5	211.4	216.2	222.7	226.0	222.7	226.0	229.2	232.5	227.6	230.9	234.1	237.4
		SC		118.6	149.6	180.3	212.5	137.6	157.7	191.5	202.7	129.1	165.7	201.1	232.5	134.0	172.2	210.9	227.4
	73	TC		239.0	240.6	242.2	243.9	242.2	243.9	245.5	248.7	245.5	247.1	248.7	250.4	247.1	248.7	250.4	253.6
		SC		80.2	111.4	141.2	169.1	82.2	115.6	146.2	177.1	83.8	119.5	150.3	181.8	85.6	121.2	154.2	190.2
115	61	TC		165.9	172.4	188.6	204.9	170.7	180.5	196.7	213.0	175.6	187.0	204.9	221.1	180.5	193.5	211.4	226.0
		SC		144.9	167.0	182.8	198.5	154.3	174.9	190.6	206.4	162.6	181.2	198.5	214.3	174.5	187.5	204.8	219.0
	67	TC		196.7	200.0	201.6	204.9	198.4	203.2	206.5	209.7	209.7	213.0	217.9	221.1	214.6	217.9	221.1	227.7
		SC		123.6	143.4	174.0	204.9	130.1	152.0	185.4	209.7	136.6	159.4	193.5	221.1	128.2	167.5	206.5	226.0
	73	TC		222.7	226.0	229.2	230.9	229.2	232.5	234.1	235.7	234.1	235.7	237.4	239.0	235.7	237.4	239.0	240.6
		SC		75.7	106.7	137.4	167.5	77.5	112.2	143.1	174.0	81.4	115.5	149.6	183.7	81.4	120.4	152.9	187.0
125	61	TC	156.1	162.2	177.6	192.9	160.7	169.9	185.2	200.6	165.3	176.0	192.9	208.2	169.9	182.2	199.0	212.8	
		SC	136.3	157.2	172.0	186.9	145.2	164.6	179.5	194.3	153.0	170.6	186.9	201.8	163.9	176.5	192.9	206.2	
	67	TC	185.2	188.3	189.8	203.9	186.8	191.4	194.4	197.5	197.5	200.6	205.2	208.2	202.1	205.2	208.2	214.7	
		SC	116.2	134.9	163.8	182.9	122.4	143.1	174.5	193.4	128.5	150.0	182.2	203.9	120.5	157.6	194.4	210.3	
	73	TC	209.8	212.8	215.9	217.4	215.9	219.0	220.5	222.0	220.5	222.0	223.6	225.1	222.0	223.6	225.1	226.6	
		SC	71.0	100.3	129.3	157.6	72.7	105.5	134.6	163.8	76.4	108.6	140.8	173.0	76.4	113.2	143.8	176.0	

- Notes: 1. All capacities are gross and have not considered indoor fan heat. To obtain NET cooling capacity subtract indoor fan heat.
 2. TC=Total Capacity. (Unit: 1000Btu/h).
 3. SC=Sensible Capacity. (Unit: 1000Btu/h).

Heating capacity for 20Ton:

Outdoor Temp(°F) 70% RH	Net Capacities(kW)-8400 CFM							
	Peak Net Heating(kW) at Indicated Dry Bulb(°F)				Peak Total Power(KW) at Indicated Dry Bulb(°F)			
	59	68	75.2	80.6	59	68	75.2	80.8
5	39.6	37.2	36.4	35.8	18.4	20.2	21.4	22.6
10.4	42.6	40.8	40.0	39.6	18.8	20.6	21.6	23.0
15.8	45.2	44.0	43.6	43.6	19.0	20.8	21.8	23.4
21.2	47.4	46.0	45.6	45.0	19.2	21.0	22.2	23.8
26.6	50.2	49.4	49.0	48.2	19.4	21.2	22.6	24.2
32	54.0	53.2	52.4	51.8	19.6	21.6	23.0	24.4
37.4	62.2	61.6	60.6	59.8	20.0	22.0	23.4	24.8
44.6	75.8	75	74.2	73.6	20.8	23.4	24.2	25.6
48.2	81.4	80.4	79.6	78.8	21.6	24.0	25.4	27.0
53.6	86.4	89.4	89.0	88.2	22.4	25.0	26.4	28.0
59	93.2	91.8	91.2	90.2	23.0	25.6	27.0	28.6
64.4	98.8	97.0	96.0	95.2	23.6	26.2	27.8	29.2
69.8	106.0	103.8	102.4	101.0	24.0	26.6	28.0	29.4
75.2	112.0	109.0	107.2	106.0	24.6	27.0	29.0	30.0

- Notes: 1. For other airflows, see heating capacity correction factor tables.
 2. Heating capacities and power are integrated to include the effects of defrost in the frost region.

8.10 Cooling capacity for 30Ton:

Air Flow (CFM)			10000				12000				13500				14800				
			75	80	85	90	75	80	85	90	75	80	85	90	75	80	85	90	
Ambient Temperature	85	61	TC	3179	3219	3359	355.1	326.4	333.5	347.7	366.7	330.1	338.5	359.5	376.1	343.1	347.8	366.7	381.0
			SC	2602	3072	3269	345.0	274.1	326.2	341.6	353.9	288.4	329.3	349.5	365.5	300.4	338.2	356.4	370.0
		67	TC	3560	3604	3643	3696	366.5	369.1	371.1	373.8	370.9	373.9	375.9	379.0	373.8	376.0	380.8	383.3
			SC	2083	253.1	295.5	340.4	217.2	262.6	309.7	354.5	220.9	269.7	319.1	348.8	225.7	276.9	328.4	360.4
		73	TC	3759	3832	387.9	392.8	380.2	385.5	392.6	397.2	385.0	390.3	394.7	399.7	390.2	396.5	401.1	406.1
			SC	1455	193.2	232.1	269.8	148.2	197.4	237.2	274.1	150.7	199.2	241.0	250.2	153.1	201.3	243.9	291.5
	95	61	TC	2982	3055	319.7	340.9	301.9	342.2	333.6	352.5	312.5	319.8	343.1	362.0	319.7	331.4	352.3	369.2
			SC	2482	295.6	314.3	335.0	262.5	305.0	328.0	346.4	276.8	314.4	337.1	355.7	288.4	325.8	346.2	362.4
		67	TC	3439	348.8	353.4	360.5	351.0	358.3	365.2	367.7	369.8	372.6	374.8	377.0	371.0	375.9	378.9	394.7
			SC	199.1	243.8	288.4	333.2	259.2	307.4	330.7	342.2	261.9	278.8	322.8	348.3	271.7	310.2	328.4	371.3
		73	TC	366.7	371.2	375.7	381.0	369.4	373.3	379.0	385.6	372.6	377.4	382.1	384.6	379.8	387.1	391.6	396.6
			SC	139.3	186.0	227.9	267.5	142.2	192.2	233.7	277.0	144.7	195.3	239.3	283.9	147.4	198.4	243.7	291.1
	105	61	TC	277.5	284.8	299.0	323.0	287.0	294.3	317.9	332.4	291.8	303.7	329.7	351.4	299.0	315.7	339.4	358.5
			SC	237.2	277.7	291.3	314.3	253.2	286.7	309.5	323.4	267.5	298.9	324.2	341.0	276.8	310.5	333.4	352.2
		67	TC	317.9	322.9	329.7	332.4	320.3	327.5	336.9	341.9	336.9	341.8	346.5	351.4	344.0	349.0	353.5	362.4
			SC	188.8	234.4	279.1	326.5	216.7	246.1	295.5	336.0	204.3	257.9	309.7	345.2	211.4	267.4	324.0	352.8
		73	TC	360.7	363.3	365.5	368.0	365.5	367.9	370.3	375.2	370.3	372.7	375.0	377.1	372.6	375.1	377.3	382.3
			SC	132.8	178.5	221.9	262.9	135.5	184.5	229.2	274.7	138.0	190.3	235.2	281.4	140.5	192.8	240.8	293.8
	115	61	TC	263.7	273.3	297.0	321.0	270.9	285.3	309.0	333.0	278.1	283.2	303.4	344.8	285.2	304.3	330.3	351.9
			SC	227.3	259.7	282.8	306.0	241.0	268.6	291.3	314.3	253.2	267.3	279.9	319.0	252.0	289.8	315.1	336.0
		67	TC	319.0	323.7	325.9	331.0	321.3	328.6	331.1	338.1	337.9	342.9	349.7	358.2	345.1	349.8	354.6	362.1
			SC	221.8	250.9	295.4	320.1	231.2	263.4	312.1	316.1	245.7	279.3	319.0	323.1	253.3	311.1	322.4	329.4
		73	TC	336.9	341.8	346.5	349.1	346.5	351.3	353.5	356.2	353.5	356.1	358.3	360.9	356.0	358.4	360.7	363.4
			SC	126.0	171.5	216.5	260.6	131.7	179.6	224.8	270.0	134.3	184.5	234.3	284.3	194.3	221.4	238.9	289.2
125	61	TC	244.1	253.3	276.0	295.9	250.8	264.7	287.4	310.6	257.8	273.8	299.0	322.0	264.6	283.0	308.1	328.8	
		SC	218.8	230.0	252.1	271.3	232.1	261.0	283.2	305.6	243.7	259.9	284.2	314.6	242.6	276.1	300.0	310.1	
	67	TC	287.4	292.1	294.3	299.2	289.7	296.8	301.1	306.0	305.8	310.5	317.2	324.9	312.5	317.3	321.8	332.6	
		SC	175.3	216.8	259.8	283.5	197.3	228.9	275.8	291.2	207.2	239.2	287.2	315.5	195.2	250.6	305.4	327.1	
	73	TC	324.1	328.7	333.2	335.7	333.2	337.9	340.0	342.5	340.0	342.4	344.6	347.1	342.3	344.7	346.9	349.5	
		SC	121.3	165.1	208.3	250.7	123.9	172.9	216.3	260.0	129.5	177.5	225.4	273.7	129.5	184.5	230.0	278.1	

- Notes: 1. All capacities are gross and have not considered indoor fan heat. To obtain NET cooling capacity subtract indoor fan heat.
 2. TC=Total Capacity. (Unit: 1000Btu/h).
 3. SC=Sensible Capacity. (Unit: 1000Btu/h).

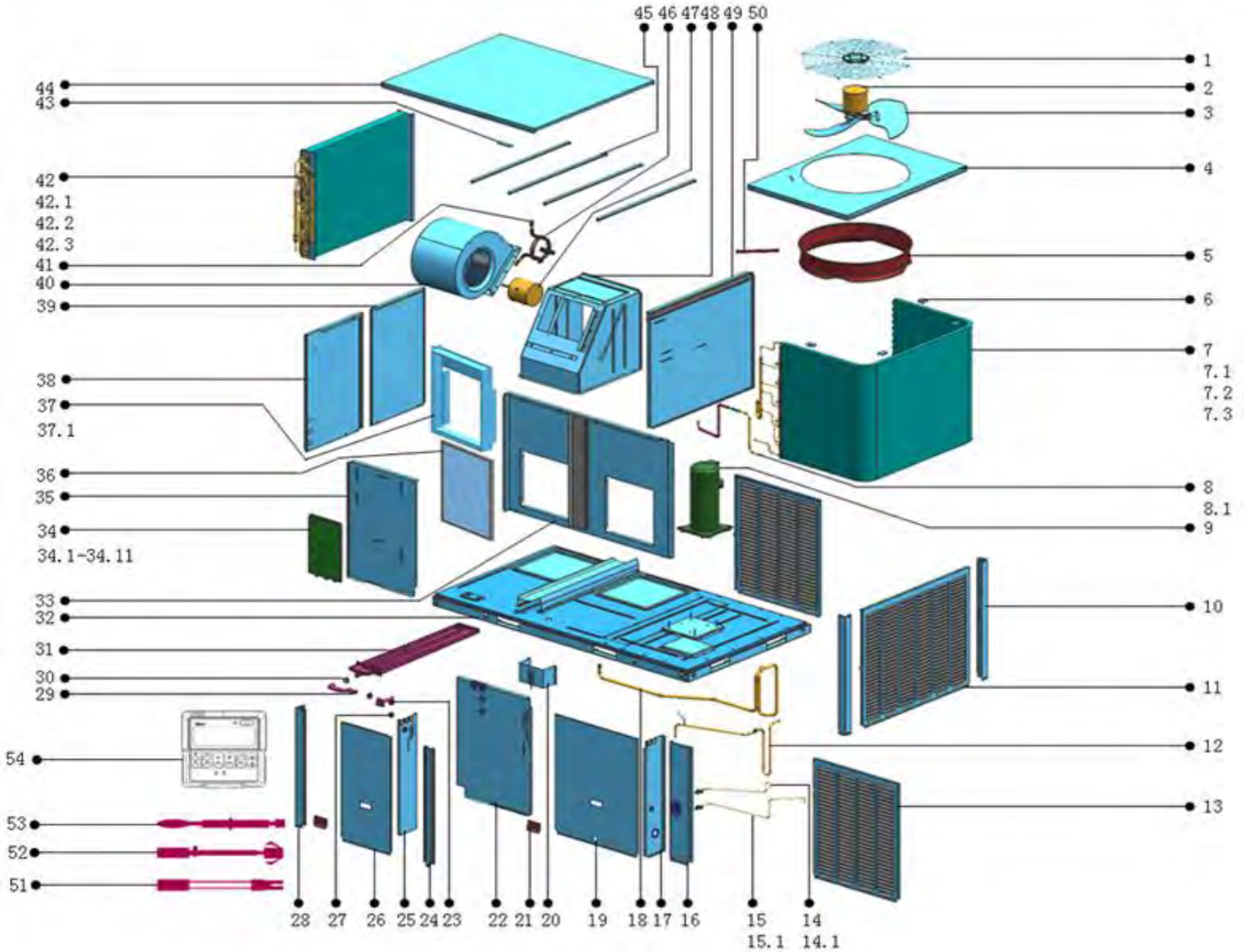
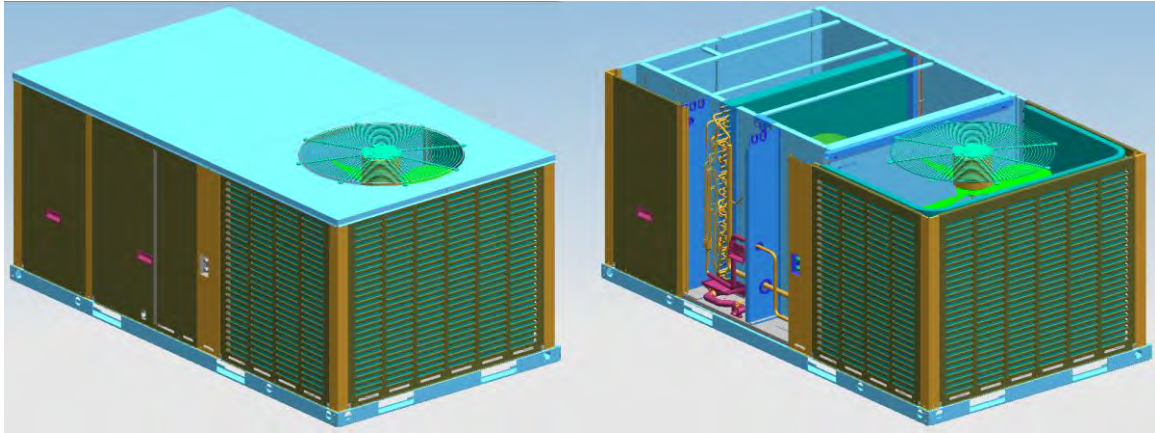
Heating capacity for 30Ton:

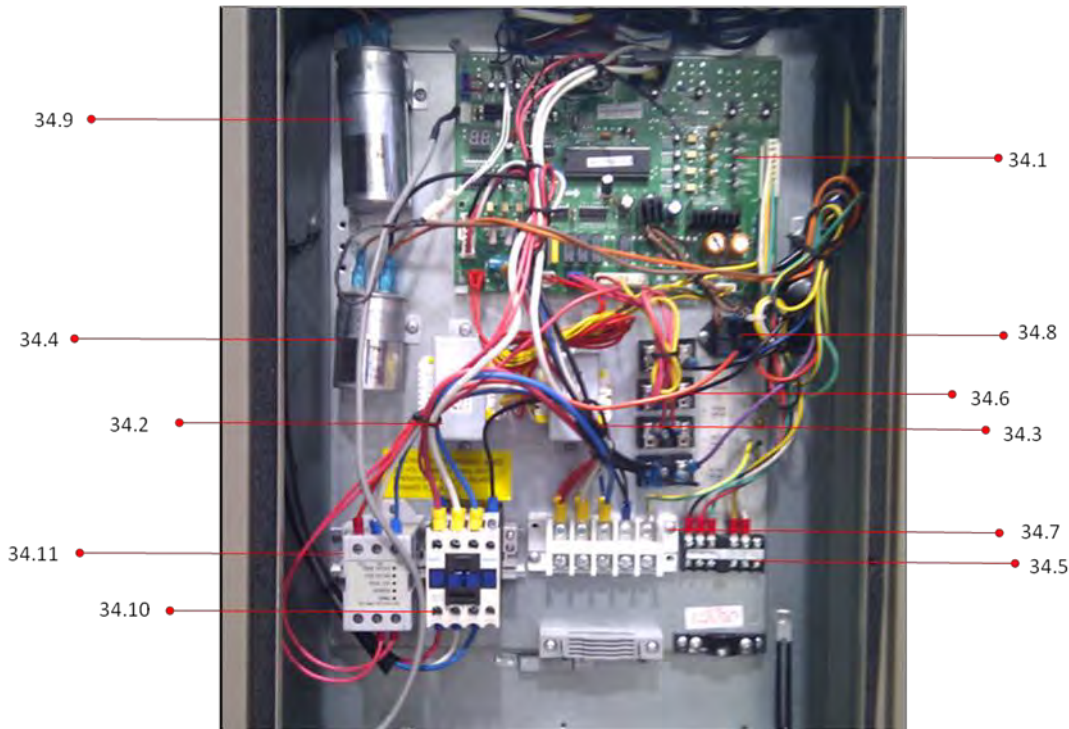
Net Capacities(kW)-12000 CFM								
Outdoor Temp(°F) 70% RH	Peak Net Heating(kW) at Indicated Dry Bulb(°F)				Peak Total Power (kW) at Indicated Dry Bulb(°F)			
	59	68	75.2	80.6	59	68	75.2	80.8
5	59.4	55.8	54.6	53.8	27.6	30.4	32.2	34
10.4	64	61.2	60	59.4	28.2	31	32.4	34.6
15.8	67.8	66	65.4	65.4	28.6	31.2	32.8	35.2
21.2	71.2	69	68.4	67.6	28.8	31.6	33.4	35.8
26.6	75.4	74.2	73.6	72.4	29.2	31.8	34	36.4
32	81	79.8	78.6	77.8	29.4	32.4	34.6	36.6
37.4	93.4	92.4	91	89.8	30	33	35.2	37.2
44.6	107.4	105.0	104.8	104.2	31.2	34.8	36.4	38.4
48.2	122.2	120.6	119.4	118.2	32.4	36	38.2	40.6
53.6	129.6	134.2	133.6	132.4	33.6	37.6	39.6	42
59	139.8	137.8	136.8	135.4	34.6	38.4	40.6	43
64.4	148.2	145.6	144	142.8	35.4	39.4	41.8	43.8
69.8	159	155.8	153.6	151.6	36	40	42	44.2
75.2	168	163.6	160.8	159	37	40.6	43.6	45

- Notes: 1. For other airflows, see heating capacity correction factor tables.
 2. Heating capacities and power are integrated to include the effects of defrost in the frost region.

9. Explode View

9.1 5ton TMC18T3





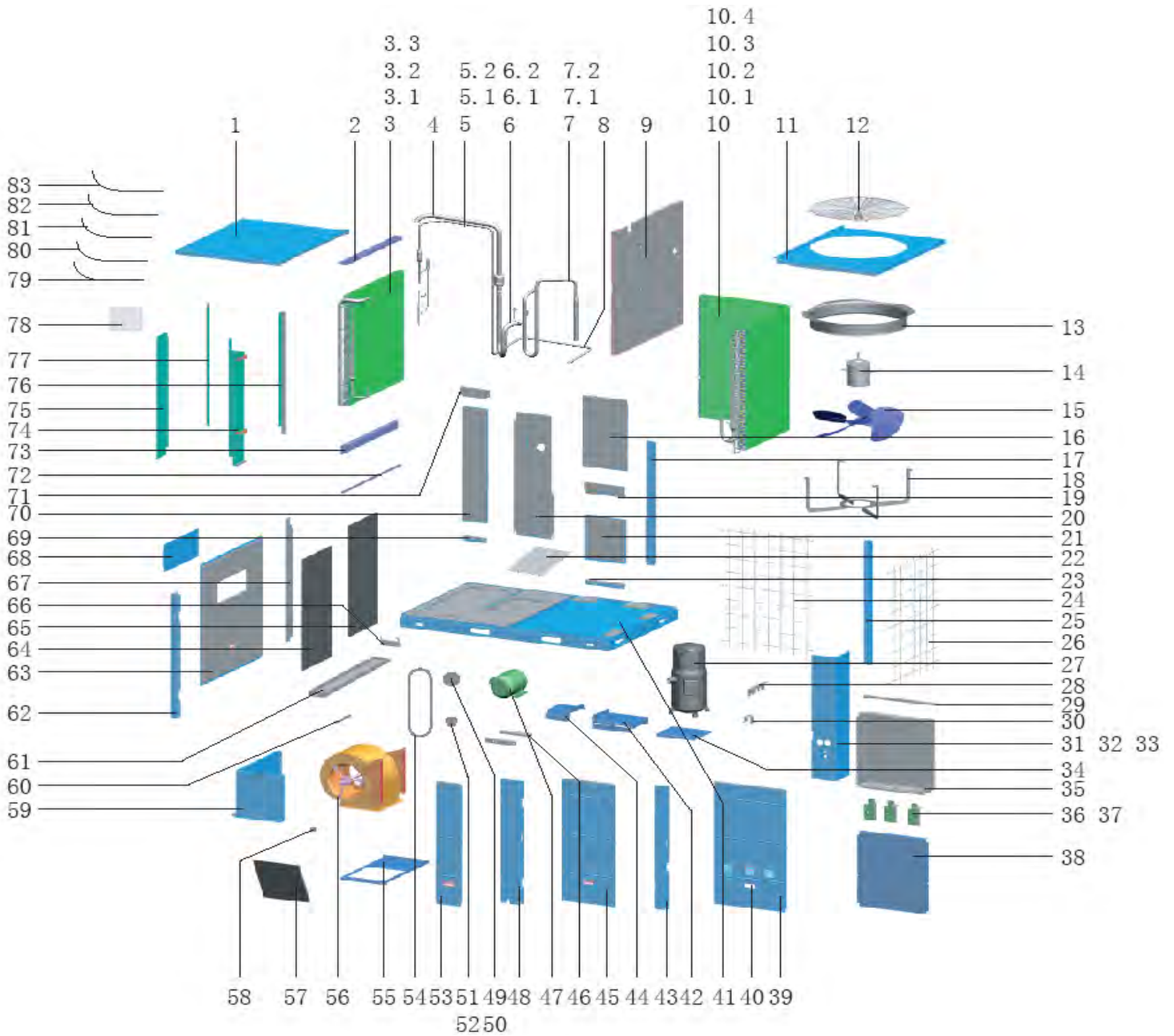
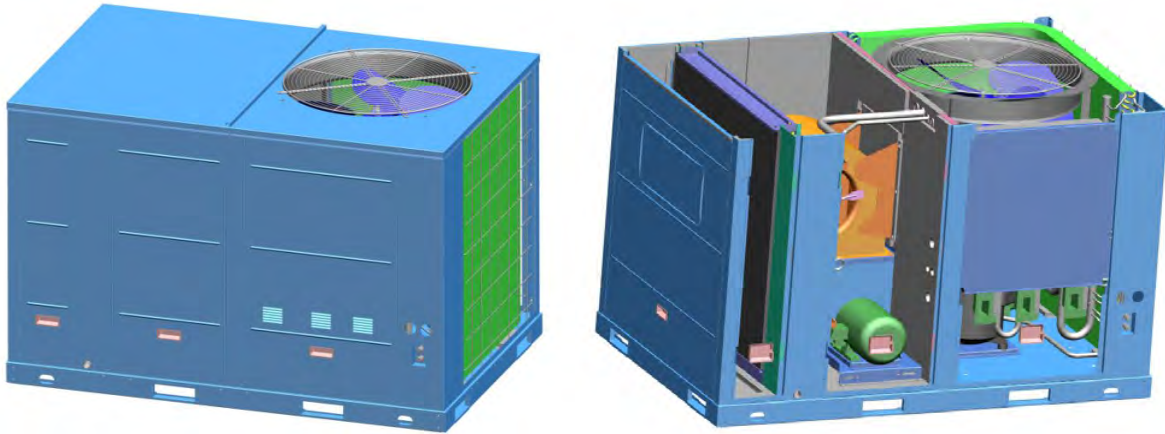
No.	Part Name	Qty	No.	Part Name	Qty
1	Top cover veil	1	33	Back to the panel kit	1
2	Motor	1	34	Rooftop electric box ass'y	1
3	Axial fan	1	34.1	Outdoor main board ass'y	1
4	Top cover	1	34.2	24V AC transformer	1
5	Ring	1	34.3	Transformer	1
6	Fixture clip	4	34.4	Compressor capacitor	1
7	Condenser ass'y	1	34.5	Wire joint	1
7.1	Condenser	1	34.6	Wire joint	4
7.2	Condenser inlet pipe ass'y	1	34.7	Wire joint, 6p	1
7.3	Condenser output pipe ass'y	1	34.8	Relay	1
8	Throttling parts	1	34.9	Compressor capacitor	1
8.1	One-way throttle valve pipe	1	34.10	AC contactor	1
9	Compressor	1	35	Connection board ass'y of evaporator	1
10	Left pole	2	36	Fliter	1
11	clapboard	1	37	Installation holder of filter	1
12	Suction pipe ass'y of compressor	1	37.1	Extraction board of filter	1
13	clapboard	2	37.2	Screw	1
14	High pressure gauge ports ass'y	1	38	Return II lateral plate assemblies	1
14.1	Pipe joint	1	39	Return I lateral plate assemblies	1
15	Low pressure gauge ports ass'y	1	40	Centrifugal fan	1
15.1	Pipe joint	1	41	Motor bracket I	3
16	Table connector box connection plate weld	1	42	Evaporator ass'y	1
17	Waterproof baffle components	1	42.1	Evaporator	1
18	Suction pipe ass'y of compressor	1	42.2	Input tube evaporator components	1
19	middle clapboard ass'y	1	42.3	Output tube evaporator components	1
20	Baffle ass'y	1	43	Clapboard supporting board	1

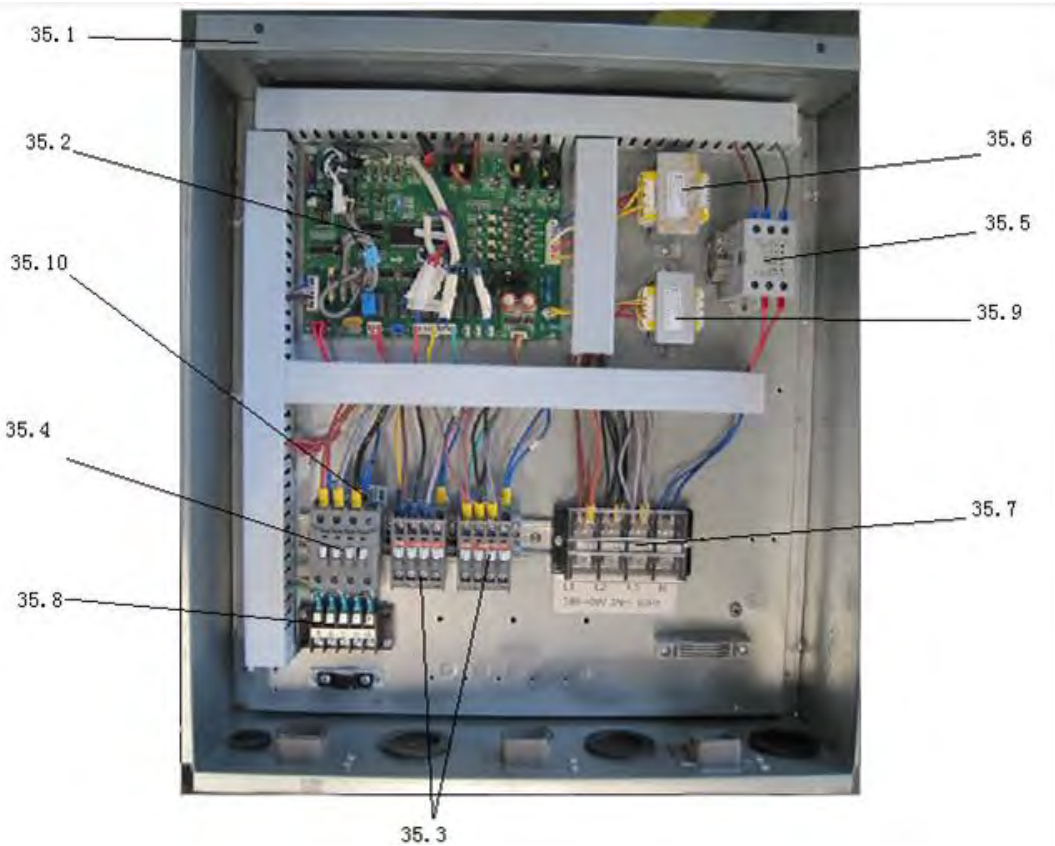
R410A Tropical Rooftop Package Unit 50Hz

21	Handle	2	44	Top cover ass'y	1
22	Evaporator right linking slab components	1	45	beam	4
23	Water outlet joint	1	46	Motor bracket II	1
24	Pole	1	47	Motor	1
25	Electronic components clapboard	1	48	Baffle ass'y	1
26	Electronic front cover	1	49	board ass'y	1
27	Seal Stopper	1	50	Pipe	1
28	Pole	1	51	Discharge temp sensor	1
29	Connecting pipe	1	52	Pipe temp. sensor	1
30	Throat bander	2	53	Indoor temp. sensor ass'y	1
31	Drainage pan ass'y	1	54	Wired controller	1
32	Base ass'y	1	55	R410A	5

9.2 6.2ton

TMC22T3

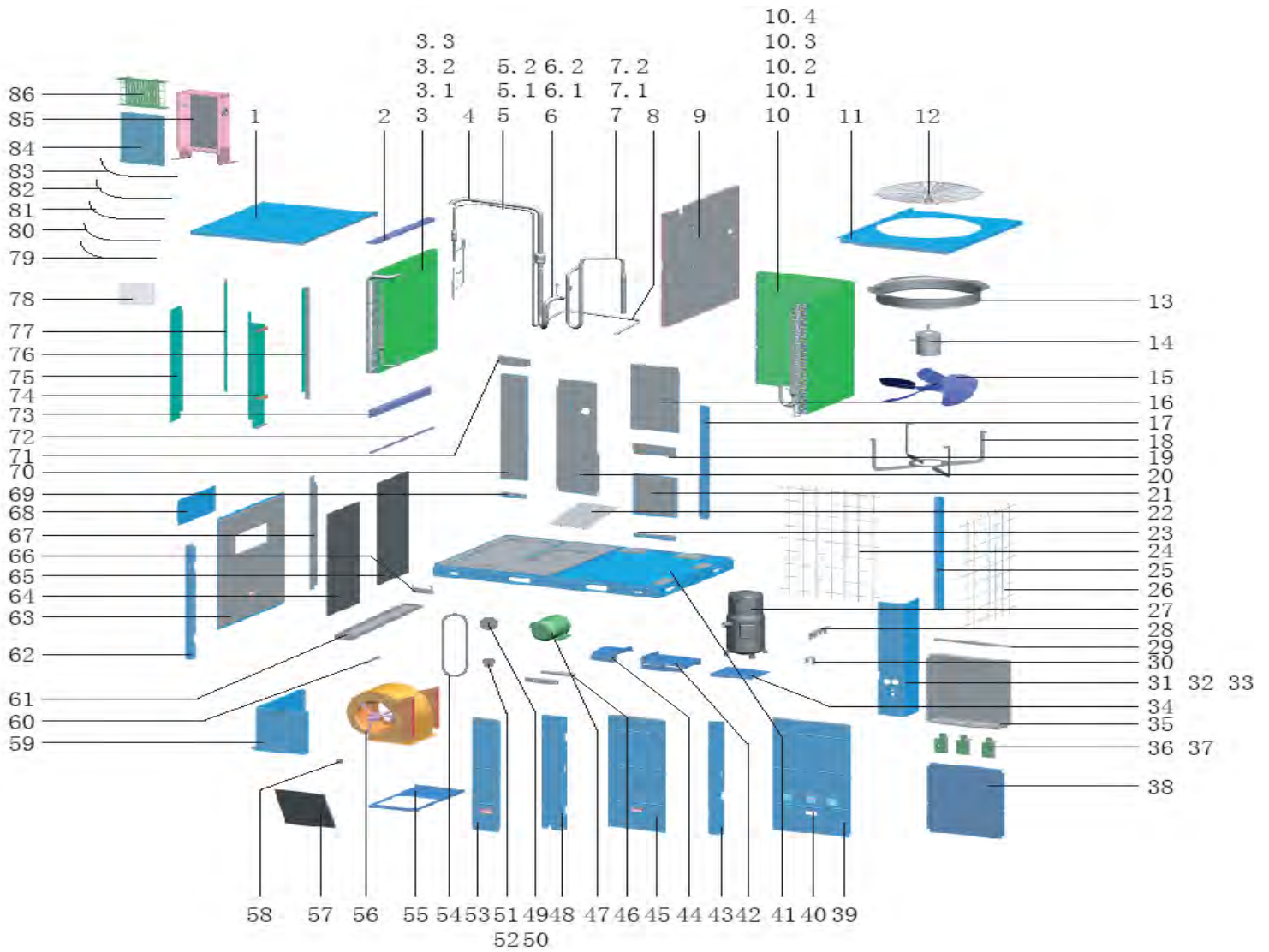
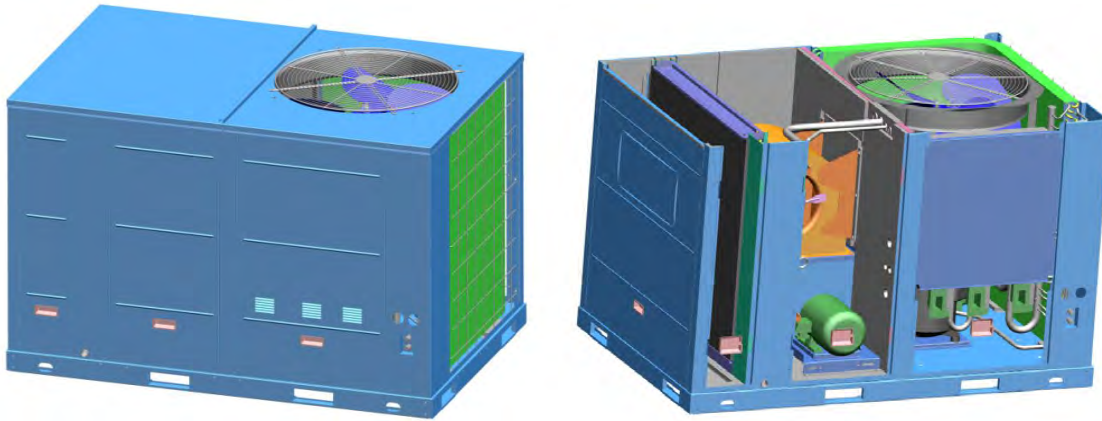


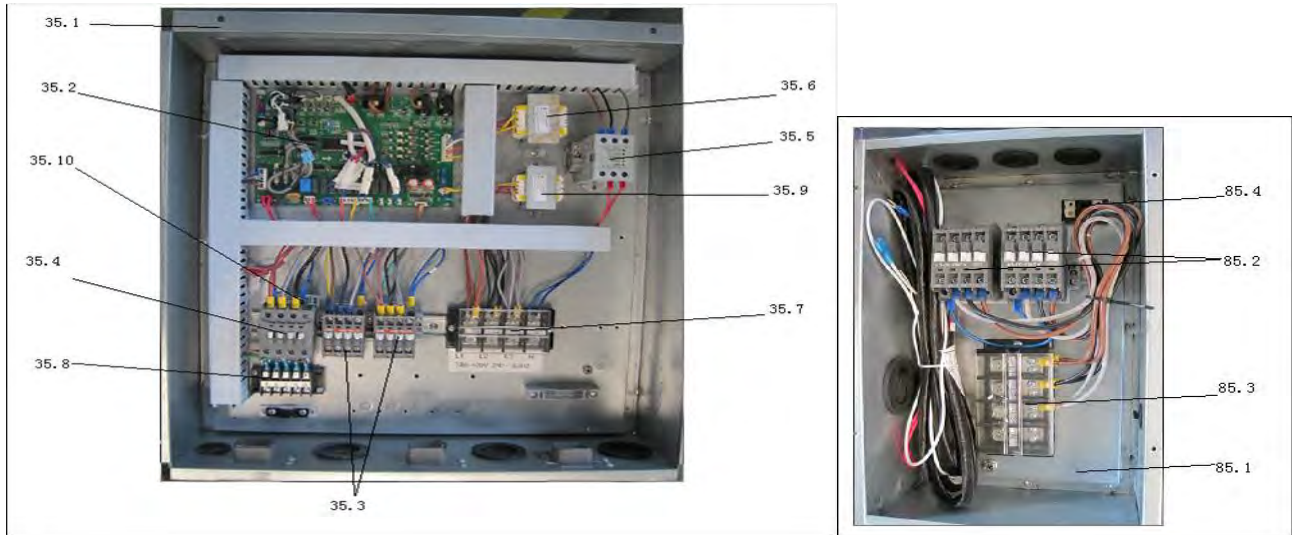


No.	Part Name	Qty	No.	Part Name	Qty
1	Components inside the top cover	1	35.7	Wire joint	1
2	Components on the seal plate evaporator	1	35.8	Wire joint	1
3	Evaporator parts	1	35.9	Transformer	1
3.1	Evaporator	1	35.10	Surge suppresser	3
3.2	Evaporator tube assembly output	1	36	Duct	3
3.3	Enter the evaporator tube assembly	1	37	Fixing board	3
4	Evaporator tube assembly output connector	1	38	Electronic control box cover plate	1
5	Evaporator input connection pipe ass'y	1	39	Lateral panel components	1
5.1	Strainer	1	40	Handle	4
5.2	One way valve	1	41	Chassis Parts	1
6	Suction pipe ass'y	1	42	I welding pieces of the motor bracket	1
6.1	Form fitting assemblies	1	43	Right anterior column II	1
6.2	Pressure controller	1	44	II welding pieces of the motor bracket	1
7	Discharge pipe ass'y	1	45	Middle panel components	1
7.1	Form fitting assemblies	1	46	Motor bracket sliding board assembly	2
7.2	Pressure controller	1	47	Motor	1
8	Condenser tube assembly output connector	1	48	Components of the left anterior column II	1
9	Partition board ass'y	1	49	Wheel	1
10	Condenser components	1	50	Sleeve	1
10.1	Condenser	1	51	Wheel	1
10.2	Input tube condenser components	1	52	Sleeve	1
10.3	Output tube condenser components	1	53	II components inside the panel	1
10.4	Over the condenser cooling tubes	1	54	Belt	1
11	Outside the top cover plate welding parts	1	55	Supporting board ass'y	1

12	Grille	1	56	Fan	1
13	Deflector	1	57	Side air deflector	1
14	Motor	1	58	Pipe clamp B	2
15	Fan blade	1	59	Circuit board assembly duct	1
16	Thermoelectric power auxiliary control board assembly lid	1	60	Then water board assembly inside	1
17	Right after the column II	1	61	Water tray components	1
18	Motor fixed holder	1	62	I component left column	1
19	I component supply air flange	1	63	Components inside the panel I	1
20	Components of the left rear column II	1	64	Air Filter	1
21	Side of the outlet cover assembly	1	65	Air Filter	1
22	Insulation board	1	66	Water tray support components	1
23	Supply air flange II	1	67	Components of the left rear column I	1
24	Fence II	1	68	Cover plate ass'y	1
25	Right after the column I	1	69	Return air flange II	1
26	I fence	1	70	Side of the return air cover components	1
27	Compressor	1	71	I return air flange components	1
28	Press plate assy	1	72	Filter fixed support	1
29	Electronic control box support plate	1	73	Components under the seal plate evaporator	1
30	Pipe support plate	1	74	IV evaporator components fixed support	1
31	Welding pieces of the right anterior column I	1	75	III evaporator components fixed support	1
32	Peccadillo coacervation	2	76	I support the evaporator component of fixed	1
33	Winding	2	77	Evaporator components fixed support II	1
34	Welding together pieces of the compressor base	1	78	Wire controller	1
35	Rooftop electrical box parts	1	79	Temp sensor ass'y	1
35.1	Welding together pieces of electronic control box	1	80	Coil temp sensor ass'y	1
35.2	Outdoor main board ass'y	1	81	room temp sensor ass'y	1
35.3	Contactactor	2	82	Wire	1
35.4	AC contactactor	1	83	Compressor wire joint ass'y	1
35.6	24V AC transformer	1			

TME22T3

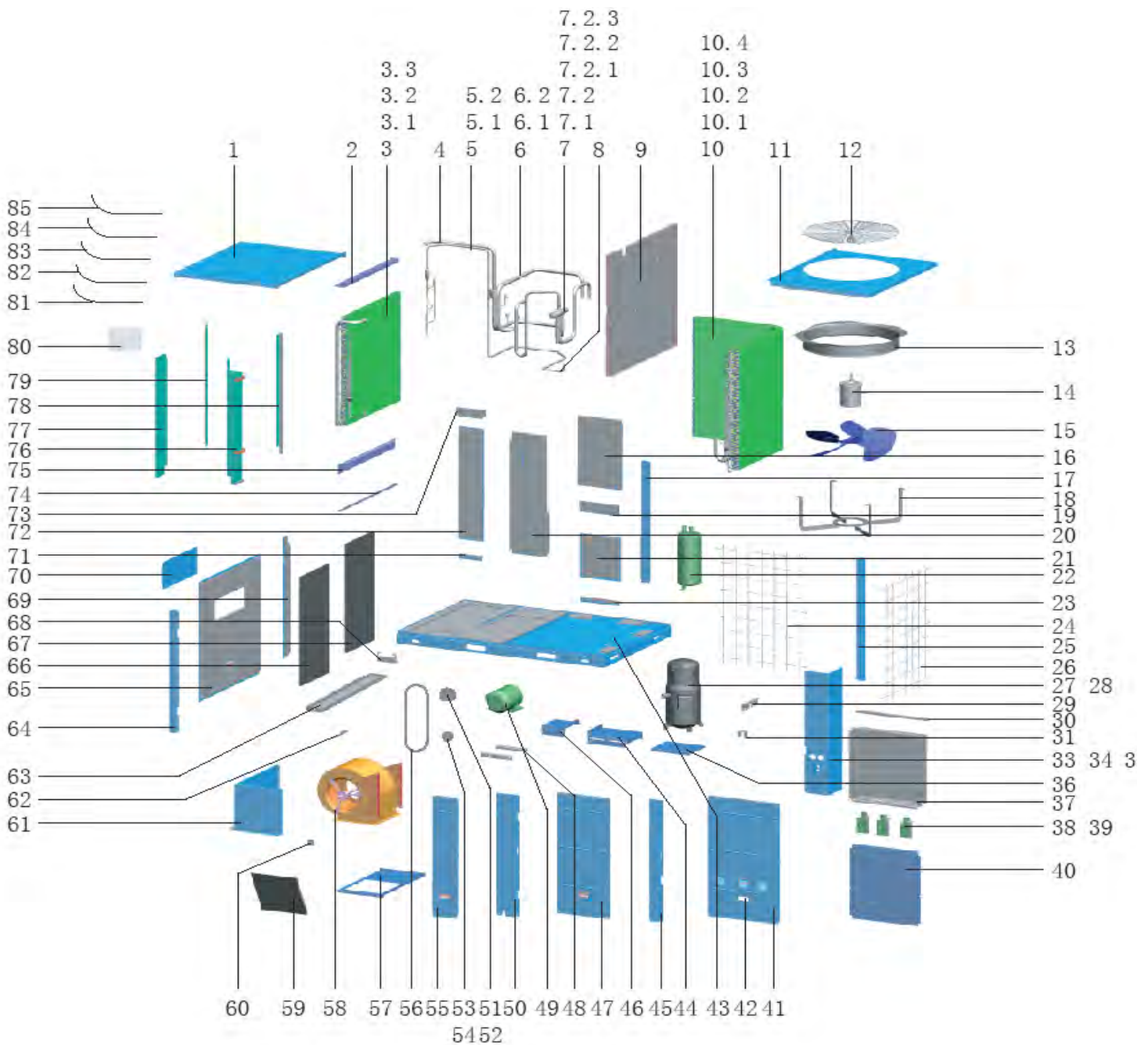
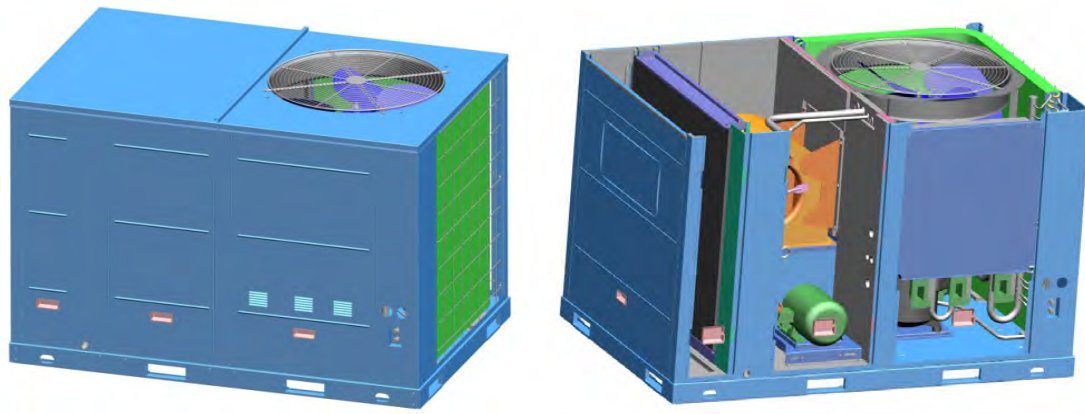


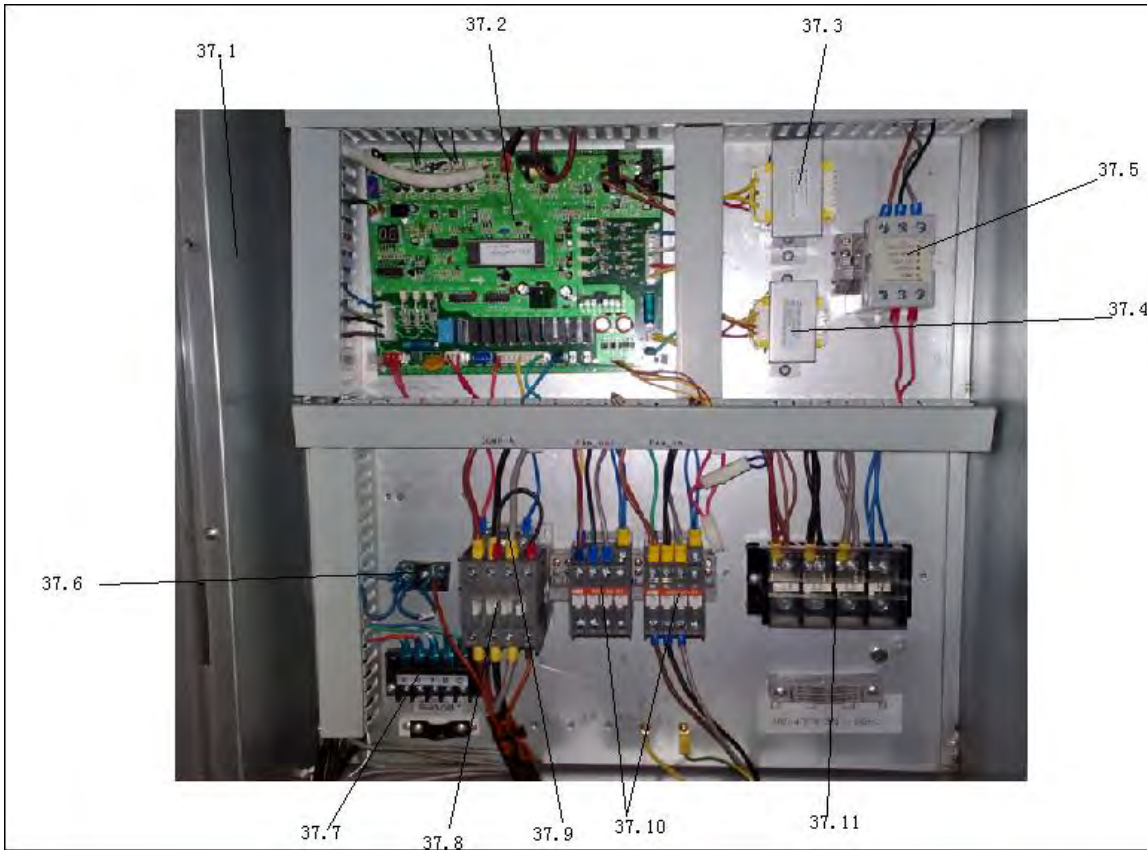


No.	Part Name	Qty	No.	Part Name	Qty
1	Components inside the top cover	1	35.10	Surge suppresser	3
2	Components on the seal plate evaporator	1	36	Duct	3
3	Evaporator parts	1	37	Fixing board	3
3.1	Evaporator	1	38	Electronic control box cover plate	1
3.2	Evaporator tube assembly output	1	39	Lateral panel components	1
3.3	Enter the evaporator tube assembly	1	40	Handle	4
4	Evaporator tube assembly output connector	1	41	Chassis Parts	1
5	Evaporator input connection pipe ass'y	1	42	I welding pieces of the motor bracket	1
5.1	Strainer	1	43	Right anterior column II	1
5.2	One way valve	1	44	II welding pieces of the motor bracket	1
6	Suction pipe ass'y	1	45	Middle panel components	1
6.1	Form fitting assemblies	1	46	Motor bracket sliding board assembly	2
6.2	Pressure controller	1	47	Motor	1
7	Discharge pipe ass'y	1	48	Components of the left anterior column II	1
7.1	Form fitting assemblies	1	49	Wheel	1
7.2	Pressure controller	1	50	Sleeve	1
8	Condenser tube assembly output connector	1	51	Wheel	1
9	Partition board ass'y	1	52	Sleeve	1
10	Condenser components	1	53	II components inside the panel	1
10.1	Condenser	1	54	Belt	1
10.2	Input tube condenser components	1	55	Supporting board ass'y	1
10.3	Output tube condenser components	1	56	Fan	1
10.4	Over the condenser cooling tubes	1	57	Side air deflector	1
11	Outside the top cover plate welding parts	1	58	Pipe clamp B	2
12	Grille	1	59	Circuit board assembly duct	1
13	Deflector	1	60	Then water board assembly inside	1
14	Motor	1	61	Water tray components	1
15	Fan blade	1	62	I component left column	1
16	Thermoelectric power auxiliary control board assembly lid	1	63	Components inside the panel I	1
17	Right after the column II	1	64	Air Filter	1

18	Motor fixed holder	1	65	Air Filter	1
19	I component supply air flange	1	66	Water tray support components	1
20	Components of the left rear column II	1	67	Components of the left rear column I	1
21	Side of the outlet cover assembly	1	68	Cover plate ass'y	1
22	Insulation board	1	69	Return air flange II	1
23	Supply air flange II	1	70	Side of the return air cover components	1
24	Fence II	1	71	I return air flange components	1
25	Right after the column I	1	72	Filter fixed support	1
26	I fence	1	73	Components under the seal plate evaporator	1
27	Compressor	1	74	IV evaporator components fixed support	1
28	Press plate assy	1	75	III evaporator components fixed support	1
29	Electronic control box support plate	1	76	I support the evaporator component of fixed	1
30	Pipe support plate	1	77	Evaporator components fixed support II	1
31	Welding pieces of the right anterior column I	1	78	Wire controller	1
32	Peccadillo coacervation	2	79	Temp sensor ass'y	1
33	Winding	2	80	Coil temp sensor ass'y	1
34	Welding together pieces of the compressor base	1	81	room temp sensor ass'y	1
35	Rooftop electrical parts	1	82	Wire	1
35.1	Welding together pieces of electronic control box	1	83	Compressor wire joint ass'y	1
35.2	Outdoor main board ass'y	1	84	E-Part box cover	1
35.3	Contactator	2	85	E-part box ass'y	1
35.4	AC contactor	1	85.1	E-part box	1
35.6	24V AC transformer	1	85.2	Contactator	2
35.7	Wire joint	1	85.3	Wire joint	1
35.8	Wire joint	1	85.4	Wire joint	1
35.9	Transformer	1	86	Electric heater ass'y	1

TMH22T3

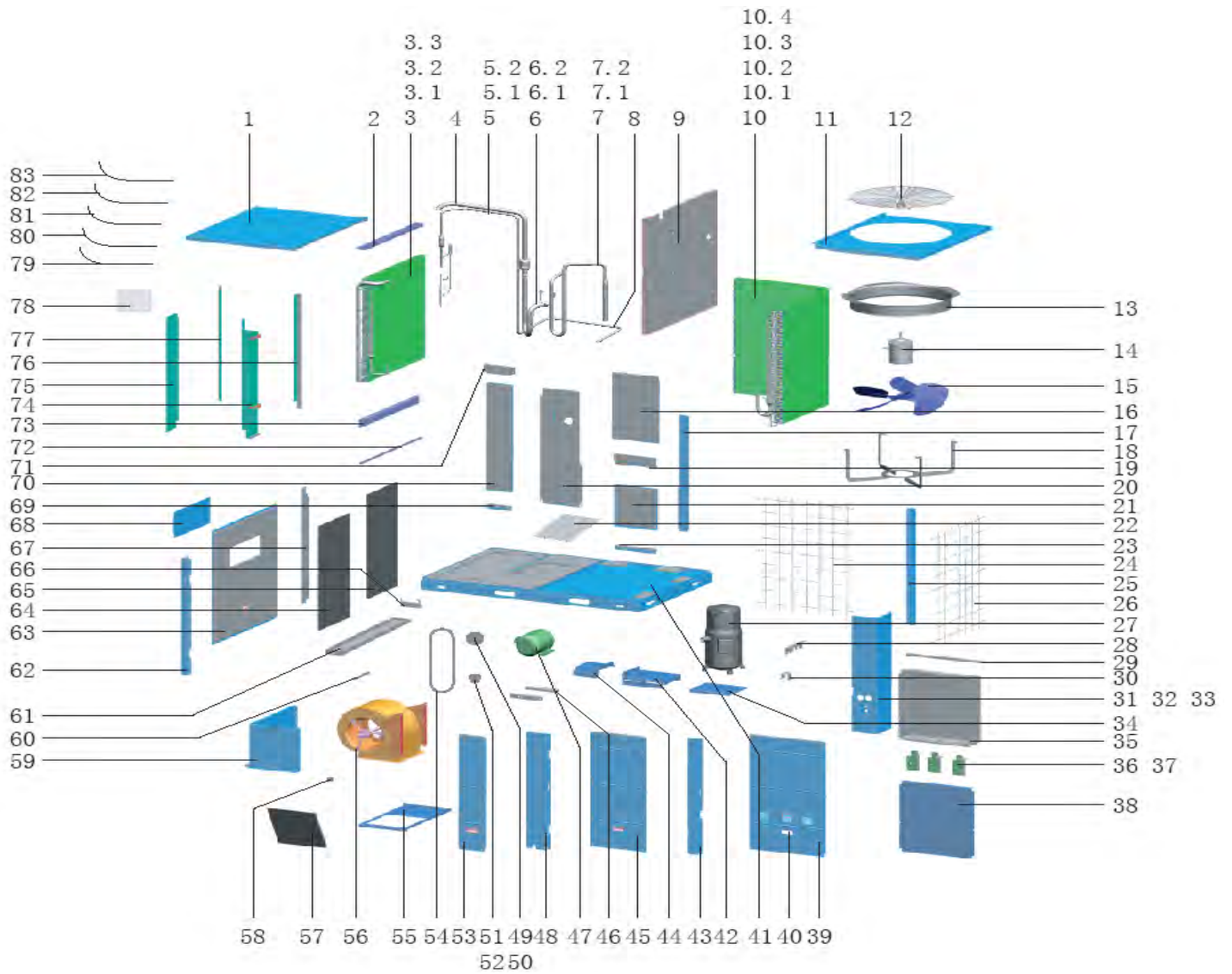
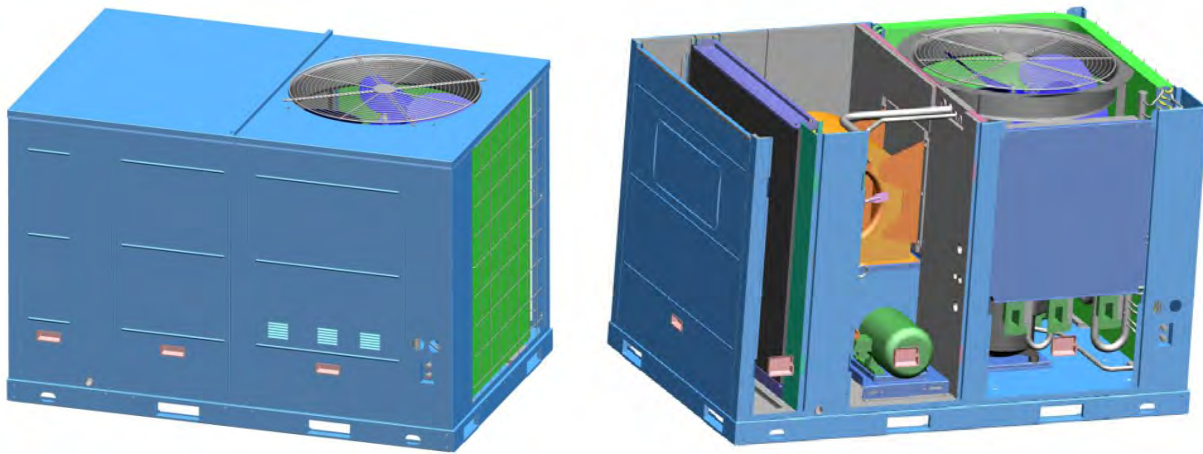


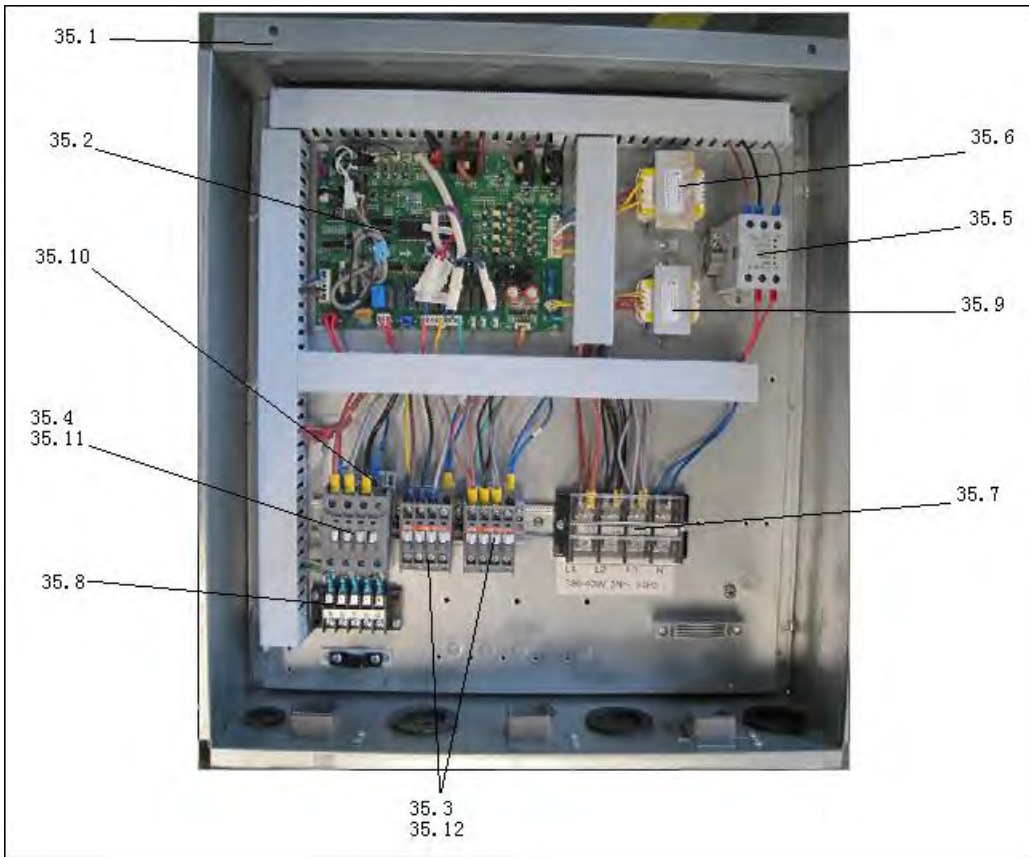


No.	Part Name	Qty	No.	Part Name	Qty
1	Components inside the top cover	1	37.4	Transformer	1
2	Components on the seal plate evaporator	1	37.6	Wire joint	1
3	Evaporator parts	1	37.7	Wire joint	1
3.1	Evaporator	1	37.8	AC contactor	1
3.2	Evaporator tube assembly output	1	37.9	Surge suppresser	3
3.3	Enter the evaporator tube assembly	1	37.10	Contactur	2
4	Evaporator tube assembly output connector	1	37.11	Wire joint	1
5	Evaporator input connection pipe ass'y	1	38	Duct	3
5.1	Strainer	1	39	Fixing board	3
5.2	One way valve	1	40	Electronic control box cover plate	1
6	Components of the compressor back to the trachea	1	41	Lateral panel components	1
6.1	Pressure controller	1	42	Handle	4
6.2	Form fitting assemblies	1	43	Chassis Parts	1
7	Four-way valve parts	1	44	I welding pieces of the motor bracket	1
7.1	4-Ways valve solenoid	1	45	Right anterior column II	1
7.2	Four-way valve assembly	1	46	II welding pieces of the motor bracket	1
7.2.1	4-way valve	1	47	Middle panel components	1
7.2.2	Pressure controller	1	48	Motor bracket sliding board assembly	2
7.2.3	Form fitting assemblies	1	49	Motor	1
8	Condenser tube assembly output connector	1	50	Components of the left anterior column II	1

9	Outside the partition component	1	51	Wheel	1
10	Condenser components	1	52	Sleeve	1
10.1	Condenser	1	53	Wheel	1
10.2	Input tube condenser components	1	54	Sleeve	1
10.3	Output tube condenser components	1	55	II components inside the panel	1
10.4	Over the condenser cooling tubes	1	56	Belt	1
11	Outside the top cover plate welding parts	1	57	Pieces of fan support plate welding	1
12	Grille	1	58	Fan	1
13	Deflector	1	59	Side air deflector	1
14	Motor	1	60	Pipe clamp B	2
15	Fan blade	1	61	Circuit board assembly duct	1
16	Thermoelectric power auxiliary control board assembly lid	1	62	Then water board assembly inside	1
17	Right after the column II	1	63	Water tray components	1
18	Motor fixed holder	1	64	I component left column	1
19	I component supply air flange	1	65	Components inside the panel I	1
20	Components of the left rear column II	1	66	Air Filter	1
21	Side of the outlet cover assembly	1	67	Air Filter	1
22	Gas-liquid separator	1	68	Water tray support components	1
23	Supply air flange II	1	69	Components of the left rear column I	1
24	Fence II	1	70	Cover plate ass'y	1
25	Right after the column I	1	71	Return air flange II	1
26	I fence	1	72	Side of the return air cover components	1
27	Compressor	1	73	I return air flange components	1
28	Electrical heating belt compression	1	74	Filter fixed support	1
29	Press plate assy	1	75	Components under the seal plate evaporator	1
30	Electronic control box support plate	1	76	IV evaporator components fixed support	1
31	Pipe support plate	1	77	III evaporator components fixed support	1
33	Welding pieces of the right anterior column I	1	78	I support the evaporator component of fixed	1
34	Peccadillo coacervation	2	79	Evaporator components fixed support II	1
35	Winding	2	80	Wire controller	1
36	Welding together pieces of the compressor base	1	81	Temp sensor ass'y	1
37	Rooftop electrical box parts	1	82	Coil temp sensor ass'y	1
37.1	Welding together pieces of electronic control box	1	83	room temp sensor ass'y	1
37.2	Outdoor main board ass'y	1	84	Wire	1
37.3	24V AC transformer	1	85	Compressor wire joint ass'y	1

9.3 7.5ton
TMC26T3

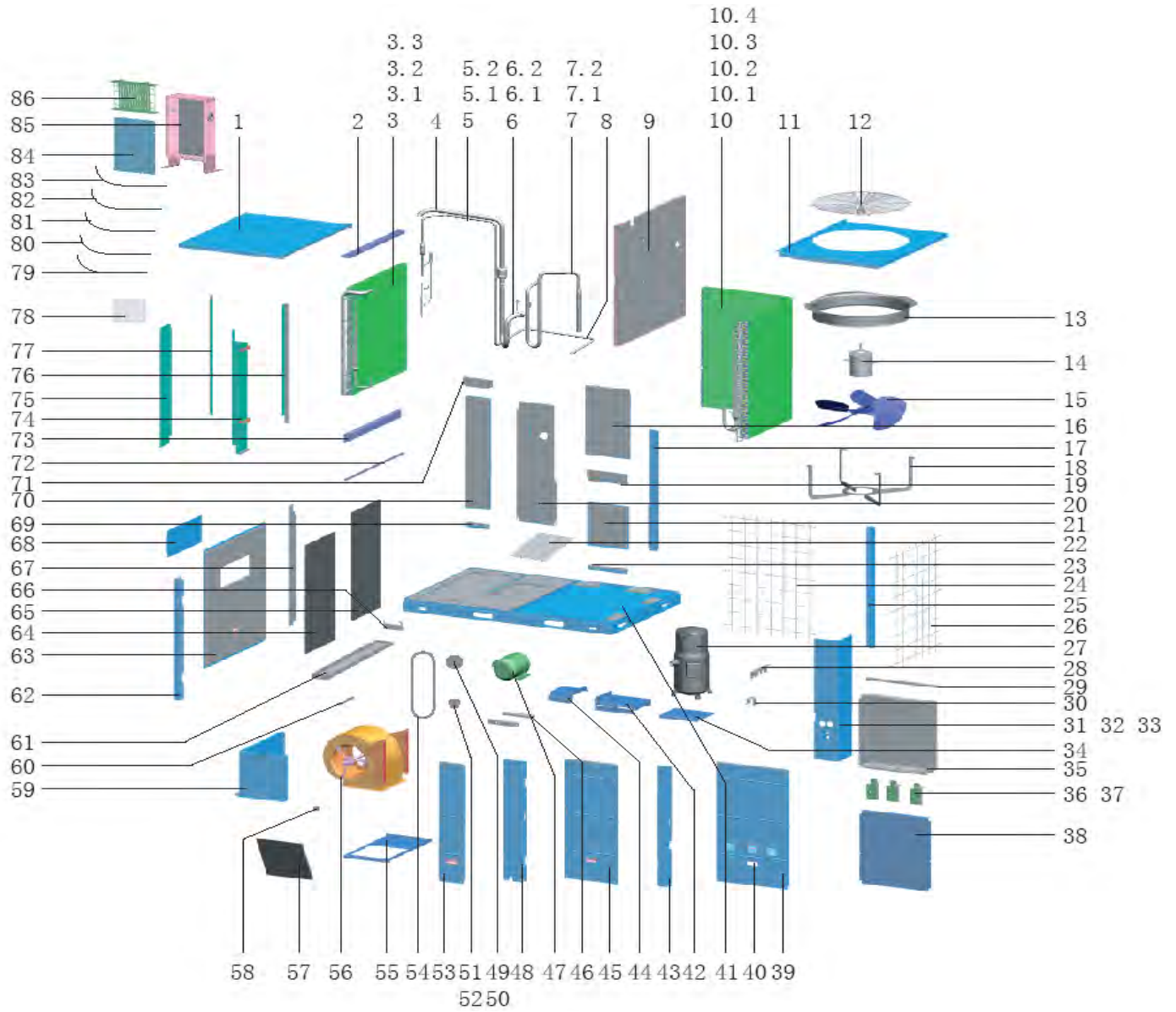


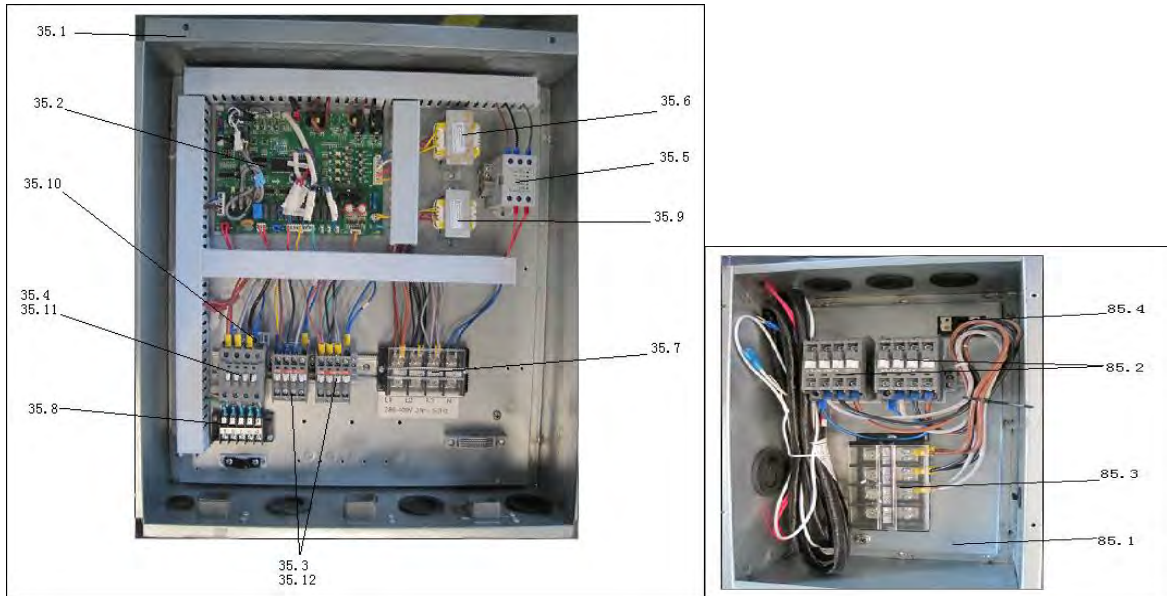


No.	Part Name	Qty	No.	Part Name	Qty
1	Components inside the top cover	1	35.7	Wire joint	1
2	Components on the seal plate evaporator	1	35.8	Wire joint	1
3	Evaporator parts	1	35.10	Surge suppresser	3
3.1	Evaporator	1	35.11	Press contacts cable group	1
3.2	Evaporator tube assembly output	1	35.12	Cable within the fan contactor group	1
3.3	Enter the evaporator tube assembly	1	36	Duct	3
4	Evaporator tube assembly output connector	1	37	Fixing board	3
5	Evaporator tube assembly input connections	1	38	Electronic control box cover plate	1
5.1	Strainer	1	39	Lateral panel components	1
5.2	Unloading valve	1	40	Handle	4
6	Suction pipe ass'y	1	41	Chassis Parts	1
6.1	Form fitting assemblies	1	42	I welding pieces of the motor bracket	1
6.2	Pressure controller	1	43	Right anterior column II	1
7	Discharge pipe ass'y	1	44	II welding pieces of the motor bracket	1
7.1	Form fitting assemblies	1	45	Middle panel components	1
7.2	Pressure controller	1	46	Motor bracket sliding board assembly	2
8	Condenser tube assembly output connector	1	47	Motor	1
9	Partition board ass'y	1	48	Components of the left anterior column II	1
10	Condenser components	1	49	Wheel	1
10.1	Condenser	1	50	Sleeve	1
10.2	Input tube condenser components	1	51	Wheel	1
10.3	Output tube condenser components	1	52	Sleeve	1
10.4	Over the condenser cooling tubes	1	53	II components inside the panel	1
11	Outside the top cover plate welding parts	1	54	Belt	1

12	Grille	1	55	Supporting board ass'y	1
13	Deflector	1	56	Fan	1
14	Motor	1	57	Side air deflector	1
15	Fan blade	1	58	Pipe clamp B	2
16	Thermoelectric power auxiliary control board assembly lid	1	59	Circuit board assembly duct	1
17	Right after the column II	1	60	Then water board assembly inside	1
18	Motor fixed holder	1	61	Water tray components	1
19	I component supply air flange	1	62	I component left column	1
20	Components of the left rear column II	1	63	Components inside the panel I	1
21	Side of the outlet cover assembly	1	64	Air Filter	1
22	Insulation board	1	65	Air Filter	1
23	Supply air flange II	1	66	Water tray support components	1
24	Fence II	1	67	Components of the left rear column I	1
25	Right after the column I	1	68	Cover plate ass'y	1
26	I fence	1	69	Return air flange II	1
27	Compressor	1	70	Side of the return air cover components	1
28	Press plate assy	1	71	I return air flange components	1
29	Electronic control box support plate	1	72	Filter fixed support	1
30	Pipe support plate	1	73	Components under the seal plate evaporator	1
31	Welding pieces of the right anterior column I	1	74	IV evaporator components fixed support	1
32	Peccadillo coacervation	2	75	III evaporator components fixed support	1
33	Winding	2	76	I support the evaporator component of fixed	1
34	Welding together pieces of the compressor base	1	77	Evaporator components fixed support II	1
35	Electrical control box parts roof	1	78	Wire controller	1
35.1	Welding together pieces of electronic control box	1	79	Temp sensor ass'y	1
35.2	Outdoor control board assembly	1	80	Coil temp sensor ass'y	1
35.3	Contactora	2	81	room temp sensor ass'y	1
35.4	AC contactora	1	82	Wire	1
35.5	Transformer	1	83	Compressor wire joint ass'y	1
35.6	24V AC transformer	1			

TME26T3

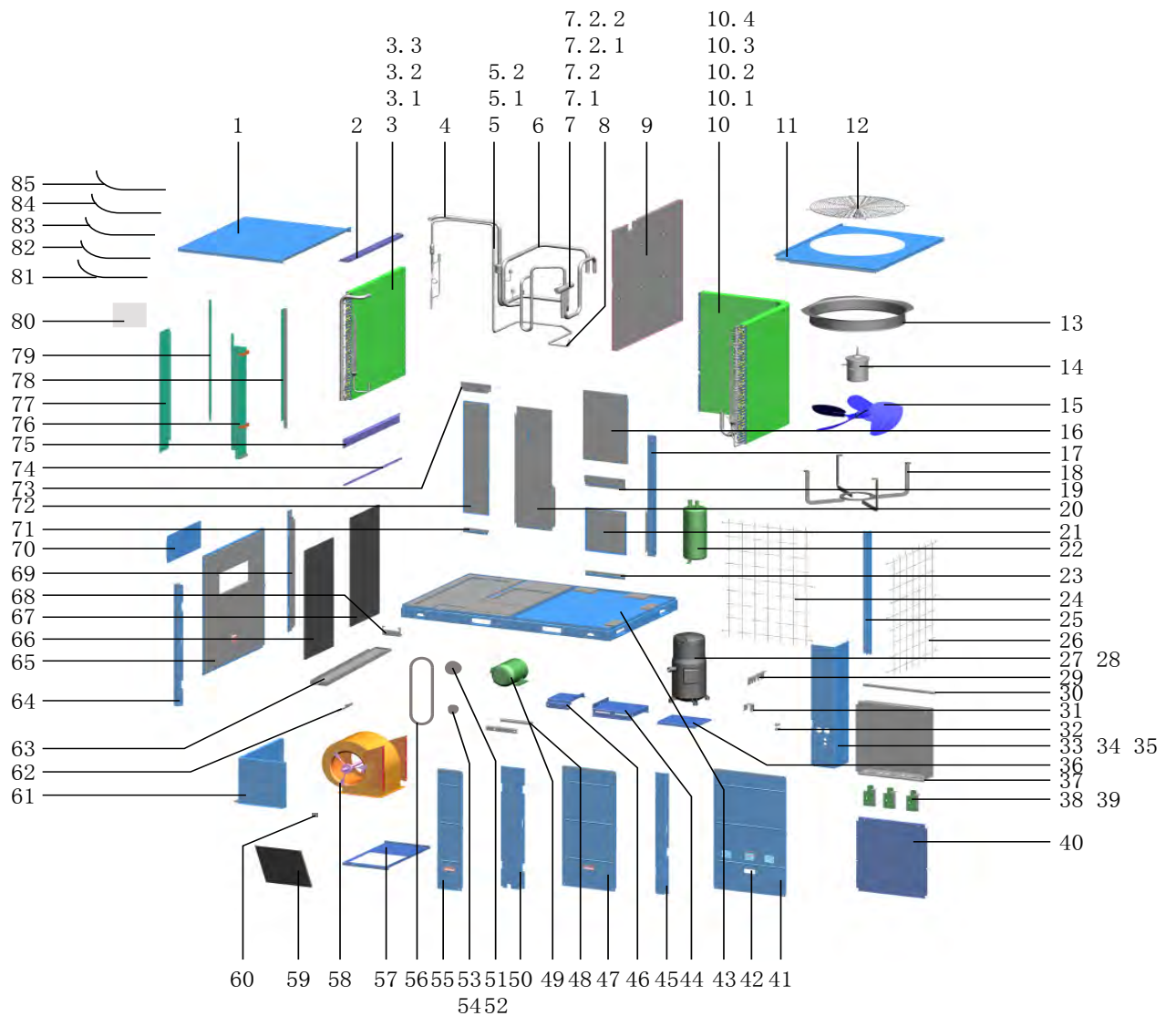
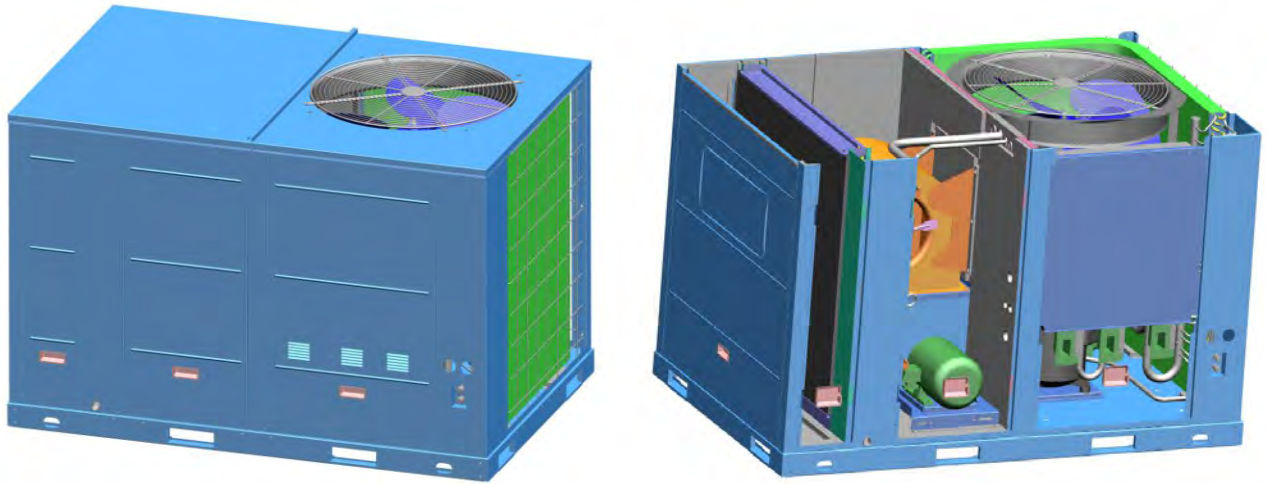


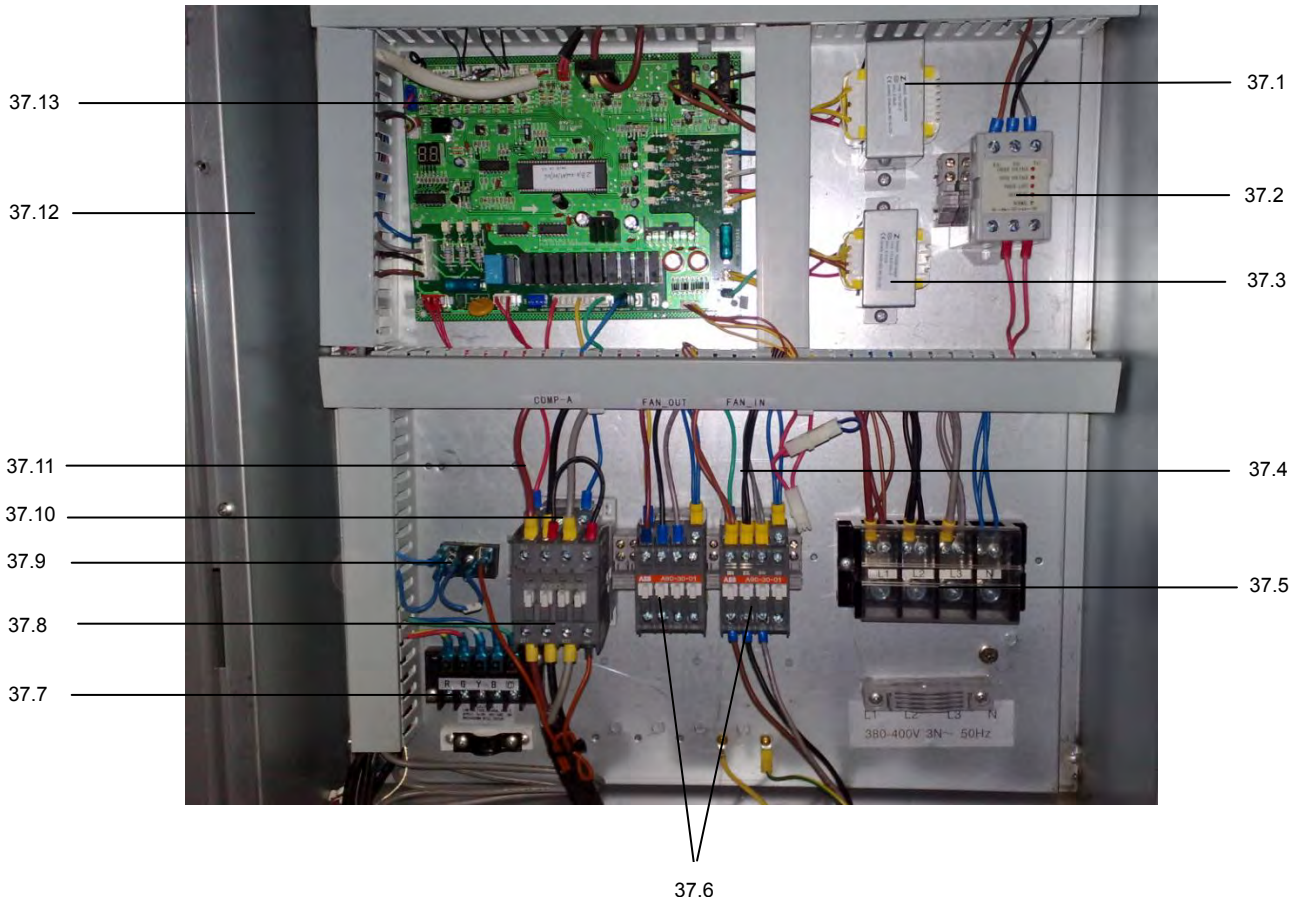


No.	Part Name	Qty	No.	Part Name	Qty
1	Components inside the top cover	1	35.11	Press contacts cable group	1
2	Components on the seal plate evaporator	1	35.12	Cable within the fan contactor group	1
3	Evaporator parts	1	36	Duct	3
3.1	Evaporator	1	37	Fixing board	3
3.2	Evaporator tube assembly output	1	38	Electronic control box cover plate	1
3.3	Enter the evaporator tube assembly	1	39	Lateral panel components	1
4	Evaporator tube assembly output connector	1	40	Handle	4
5	Evaporator tube assembly input connections	1	41	Chassis Parts	1
5.1	Strainer	1	42	I welding pieces of the motor bracket	1
5.2	Unloading valve	1	43	Right anterior column II	1
6	Suction pipe ass'y	1	44	II welding pieces of the motor bracket	1
6.1	Form fitting assemblies	1	45	Middle panel components	1
6.2	Pressure controller	1	46	Motor bracket sliding board assembly	2
7	Discharge pipe ass'y	1	47	Motor	1
7.1	Form fitting assemblies	1	48	Components of the left anterior column II	1
7.2	Pressure controller	1	49	Wheel	1
8	Condenser tube assembly output connector	1	50	Sleeve	1
9	Partition board ass'y	1	51	Wheel	1
10	Condenser components	1	52	Sleeve	1
10.1	Condenser	1	53	II components inside the panel	1
10.2	Input tube condenser components	1	54	Belt	1
10.3	Output tube condenser components	1	55	Supporting board ass'y	1
10.4	Over the condenser cooling tubes	1	56	Fan	1
11	Outside the top cover plate welding parts	1	57	Side air deflector	1
12	Grille	1	58	Pipe clamp B	2
13	Deflector	1	59	Circuit board assembly duct	1
14	Motor	1	60	Then water board assembly inside	1
15	Fan blade	1	61	Water tray components	1
16	Thermoelectric power auxiliary control board assembly lid	1	62	I component left column	1
17	Right after the column II	1	63	Components inside the panel I	1

18	Motor fixed holder	1	64	Air Filter	1
19	I component supply air flange	1	65	Air Filter	1
20	Components of the left rear column II	1	66	Water tray support components	1
21	Side of the outlet cover assembly	1	67	Components of the left rear column I	1
22	Insulation board	1	68	Cover plate ass'y	1
23	Supply air flange II	1	69	Return air flange II	1
24	Fence II	1	70	Side of the return air cover components	1
25	Right after the column I	1	71	I return air flange components	1
26	I fence	1	72	Filter fixed support	1
27	Compressor	1	73	Components under the seal plate evaporator	1
28	Press plate ass'y	1	74	IV evaporator components fixed support	1
29	Electronic control box support plate	1	75	III evaporator components fixed support	1
30	Pipe support plate	1	76	I support the evaporator component of fixed	1
31	Welding pieces of the right anterior column I	1	77	Evaporator components fixed support II	1
32	Peccadillo coacervation	2	78	Wire controller	1
33	Winding	2	79	Temp sensor ass'y	1
34	Welding together pieces of the compressor base	1	80	Coil temp sensor ass'y	1
35	E-part box ass'y	1	81	room temp sensor ass'y	1
35.1	Welding together pieces of electronic control box	1	82	Wire	1
35.2	Outdoor control board assembly	1	83	Compressor wire joint ass'y	1
35.3	Contactora	2	84	E-Part box cover	1
35.4	AC contactora	1	85	E-part box ass'y	1
35.6	24V AC transformer	1	85.1	E-part box	1
35.7	Wire joint	1	85.2	Contactora	2
35.8	Wire joint	1	85.3	Wire joint	1
35.9	Transformer	1	85.4	Wire joint	1
35.10	Surge suppresser	3	86	Electric heater ass'y	1

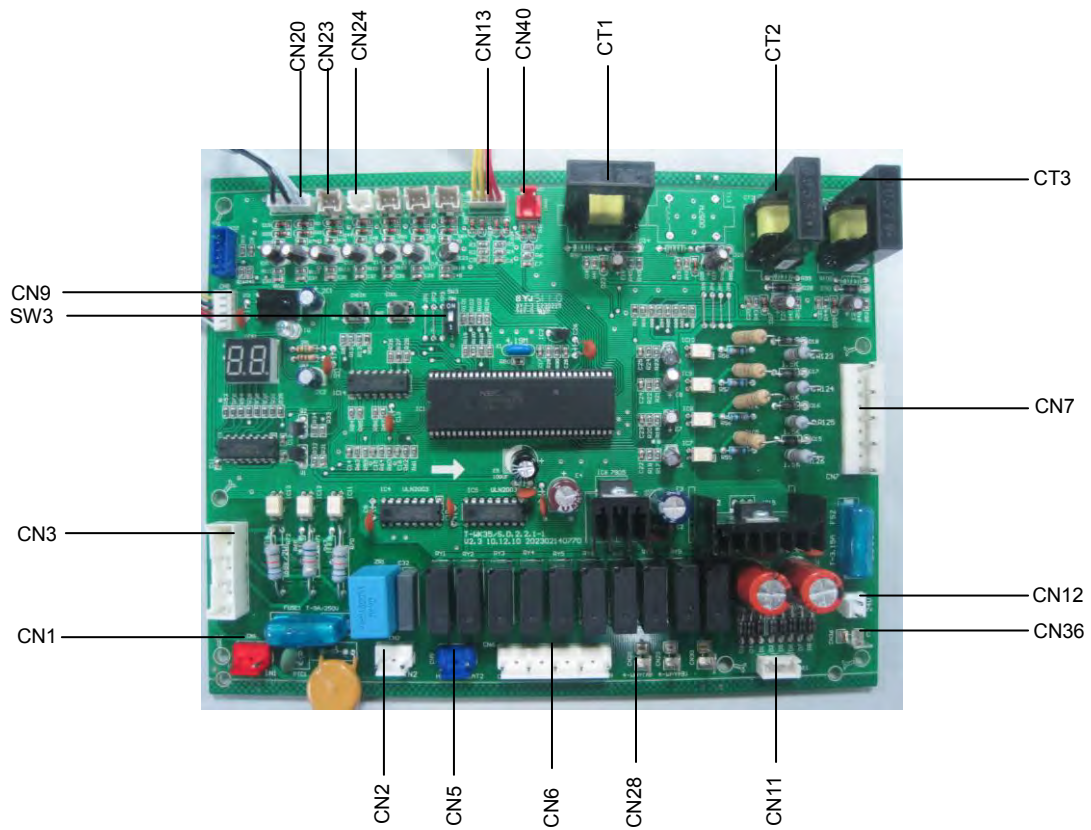
TMH26T3





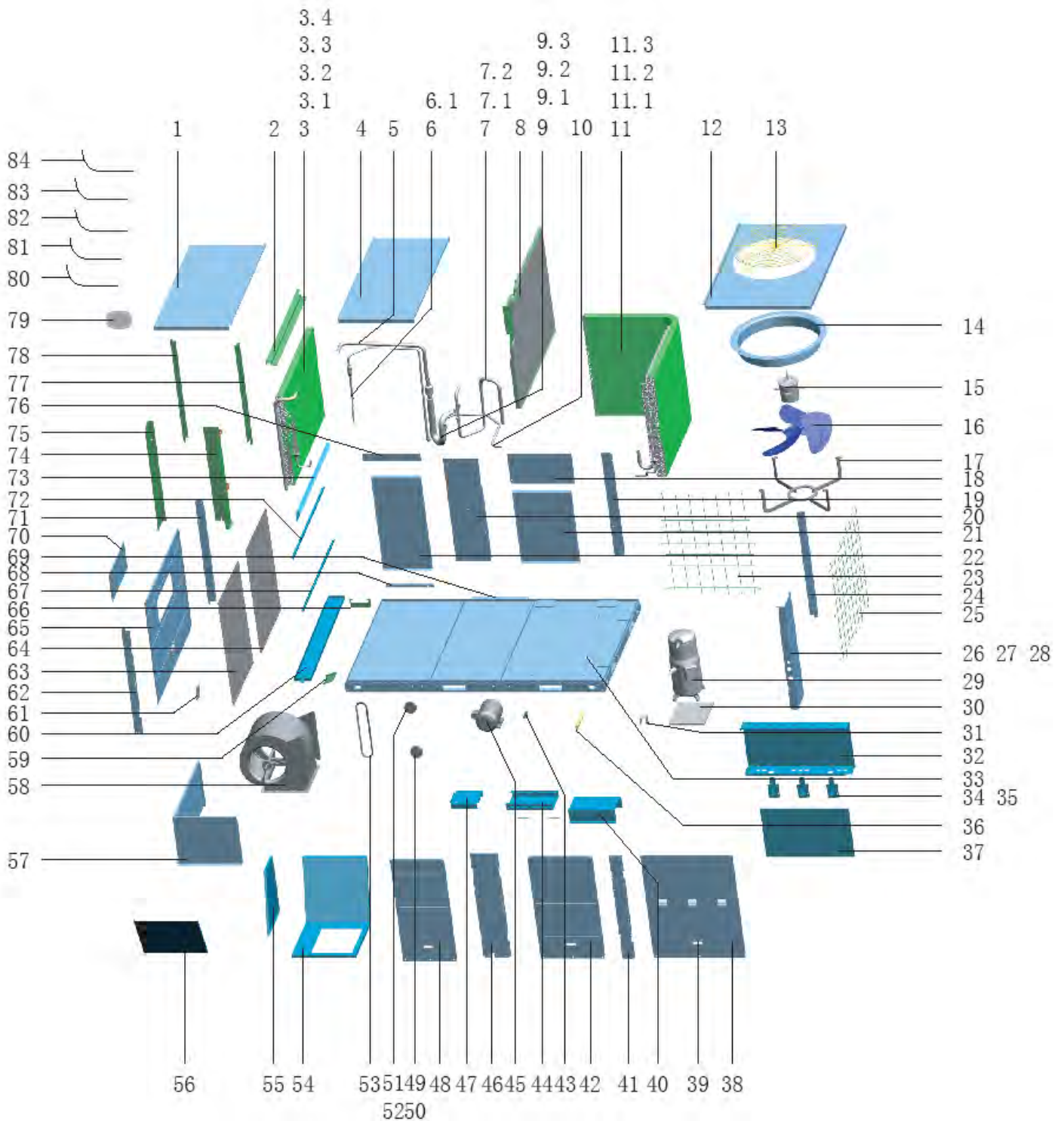
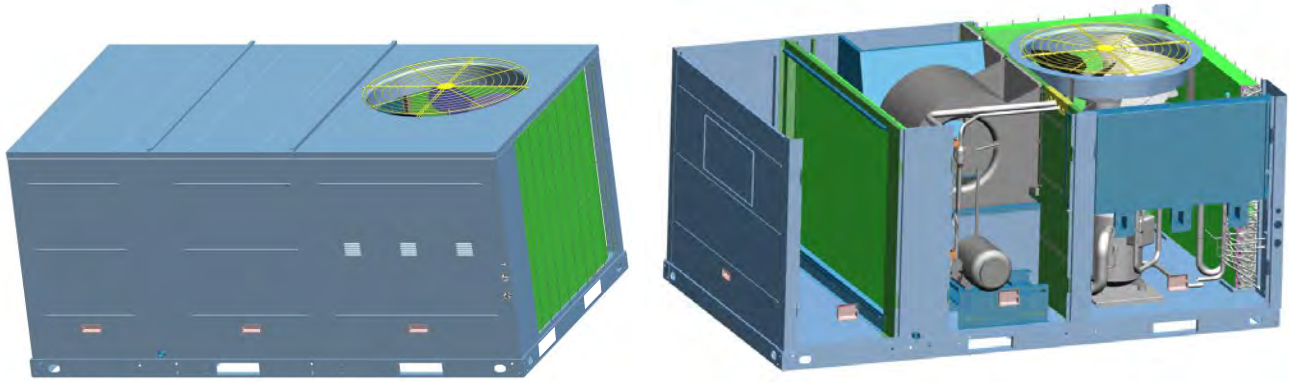
No.	Part Name	Qty	No.	Part Name	Qty
1	Components inside the top cover	1	37.7	Wire joint	1
2	Components on the seal plate evaporator	1	37.8	AC contactor	1
3	Evaporator parts	1	37.9	Wire joint	1
3.1	Evaporator	1	37.10	Surge suppresser	3
3.2	Evaporator tube assembly output	1	37.11	Press contacts cable group	1
3.3	Enter the evaporator tube assembly	1	37.12	Welding together pieces of electronic control box	1
4	Evaporator tube assembly output connector	1	37.13	Outdoor control board assembly	1
5	Evaporator tube assembly input connections	1	38	Duct	3
5.1	Strainer	1	39	Fixing board	3
5.2	Unloading valve	1	40	Electronic control box cover plate	1
6	Components of the compressor back to the trachea	1	41	Lateral panel components	1
7	Four-way valve parts	1	42	Handle	4
7.1	4-Way valve solenoid	1	43	Chassis Parts	1
7.2	Four-way valve assembly	1	44	I welding pieces of the motor bracket	1
7.2.1	4-way valve	1	45	Right anterior column II	1
7.2.2	Pressure controller	1	46	II welding pieces of the motor bracket	1
8	Condenser tube assembly output connector	1	47	Middle panel components	1
9	Outside the partition component	1	48	Motor bracket sliding board assembly	2
10	Condenser components	1	49	Motor	1
10.1	Condenser	1	50	Components of the left anterior column II	1
10.2	Input tube condenser components	1	51	Wheel	1
10.3	Output tube condenser components	1	52	Sleeve	1

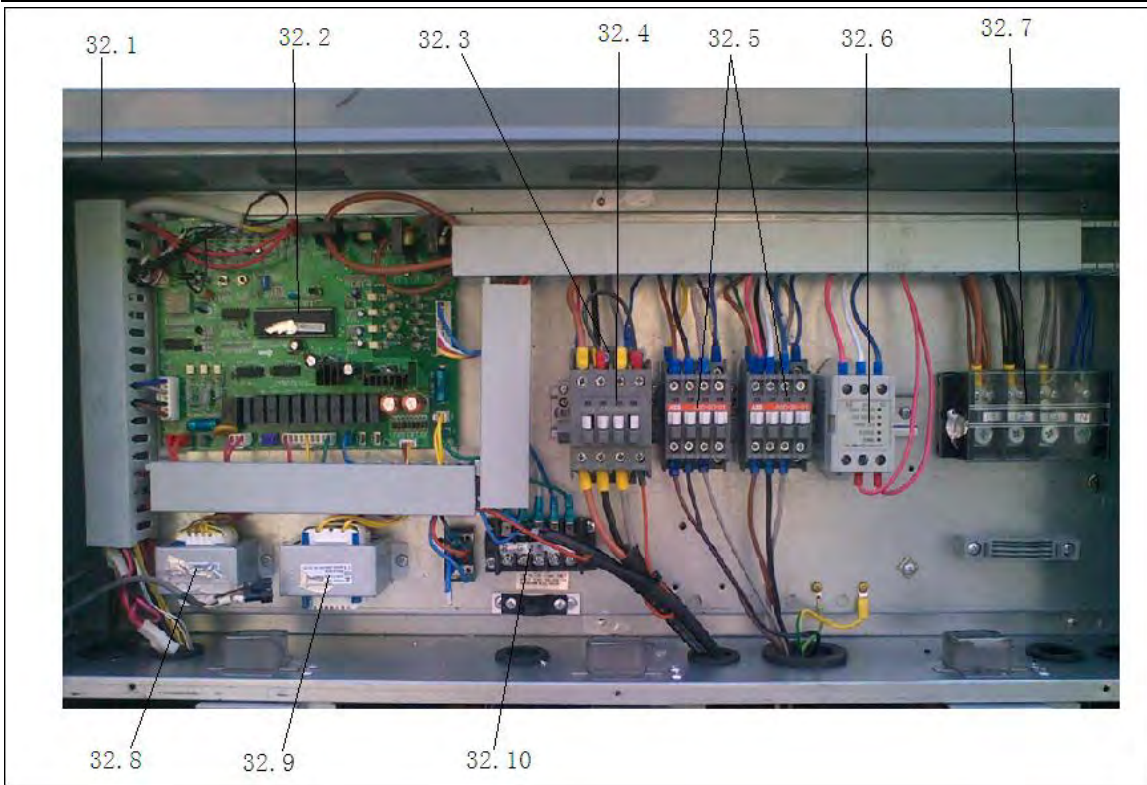
10.4	Over the condenser cooling tubes	1	53	Wheel	1
11	Outside the top cover plate welding parts	1	54	Sleeve	1
12	Grille	1	55	II components inside the panel	1
13	Deflector	1	56	Belt	1
14	Motor	1	57	Pieces of fan support plate welding	1
15	Fan blade	1	58	Fan	1
16	Thermoelectric power auxiliary control board assembly lid	1	59	Side air deflector	1
17	After the assembly the right column II	1	60	Pipe clamp B	2
18	Motor fixed holder	1	61	Circuit board assembly duct	1
19	I component supply air flange	1	62	Then water board assembly inside	1
20	Components of the left rear column II	1	63	Water tray components	1
21	Side of the outlet cover assembly	1	64	I component left column	1
22	Gas-liquid separator	1	65	Components inside the panel I	1
23	Air component flange II	1	66	Air Filter	1
24	Fence II	1	67	Air Filter	1
25	Right after the column I	1	68	Water tray support components	1
26	I fence	1	69	Components of the left rear column I	1
27	Compressor	1	70	Cover plate ass'y	1
28	Compressor electric heater	1	71	II components return air flange	1
29	Press plate assy	1	72	Side of the return air cover components	1
30	Electronic control box support plate	1	73	I return air flange components	1
31	Pipe support plate	1	74	Filter fixed support	1
32	Form fitting assemblies	2	75	Components under the seal plate evaporator	1
33	Welding pieces of the right anterior column I	1	76	IV evaporator components fixed support	1
34	Peccadillo coacervation	2	77	III evaporator components fixed support	1
35	Winding	2	78	I support the evaporator component of fixed	1
36	Welding together pieces of the compressor base	1	79	Evaporator components fixed support II	1
37	Electrical control box parts roof	1	80	Wire controller	1
37.1	24V AC transformer	1	81	Temp sensor ass'y	1
37.3	Transformer	1	82	Coil temp sensor ass'y	1
37.4	Cable within the fan contactor group	1	83	room temp sensor ass'y	1
37.5	Wire joint	1	84	Wire	1
37.6	Contactor	2	85	Compressor wire joint ass'y	1



CODE	TITLE	CODE	TITLE	CODE	TITLE
CN1	Transformer	CN12	Transformer	CN24	Indoor pipe temp. sensor
CN2	Transformer	CN7	To the wire controller	CN23	Indoor room temp. sensor
CN5	Electric heater	CT3	Current indicator	CN20	Pipe temp. sensor of unit A/B Outdoor temp. sensor
CN6	Compressor, outdoor & indoor fan motor power supply	CT2	Current indicator	CN9	To be connected wired controller KJR-12B
CN28	4-way terminal (A)	CT1	Current indicator	SW3	Wired controller set up switch
CN11	Transformer	CN40	Outdoor fan protection switch	CN3	Power supply
CN36	To the wired controller	CN13	High & low pressure switch Temp protection switch		

9.4 8.5ton
TMC30T3

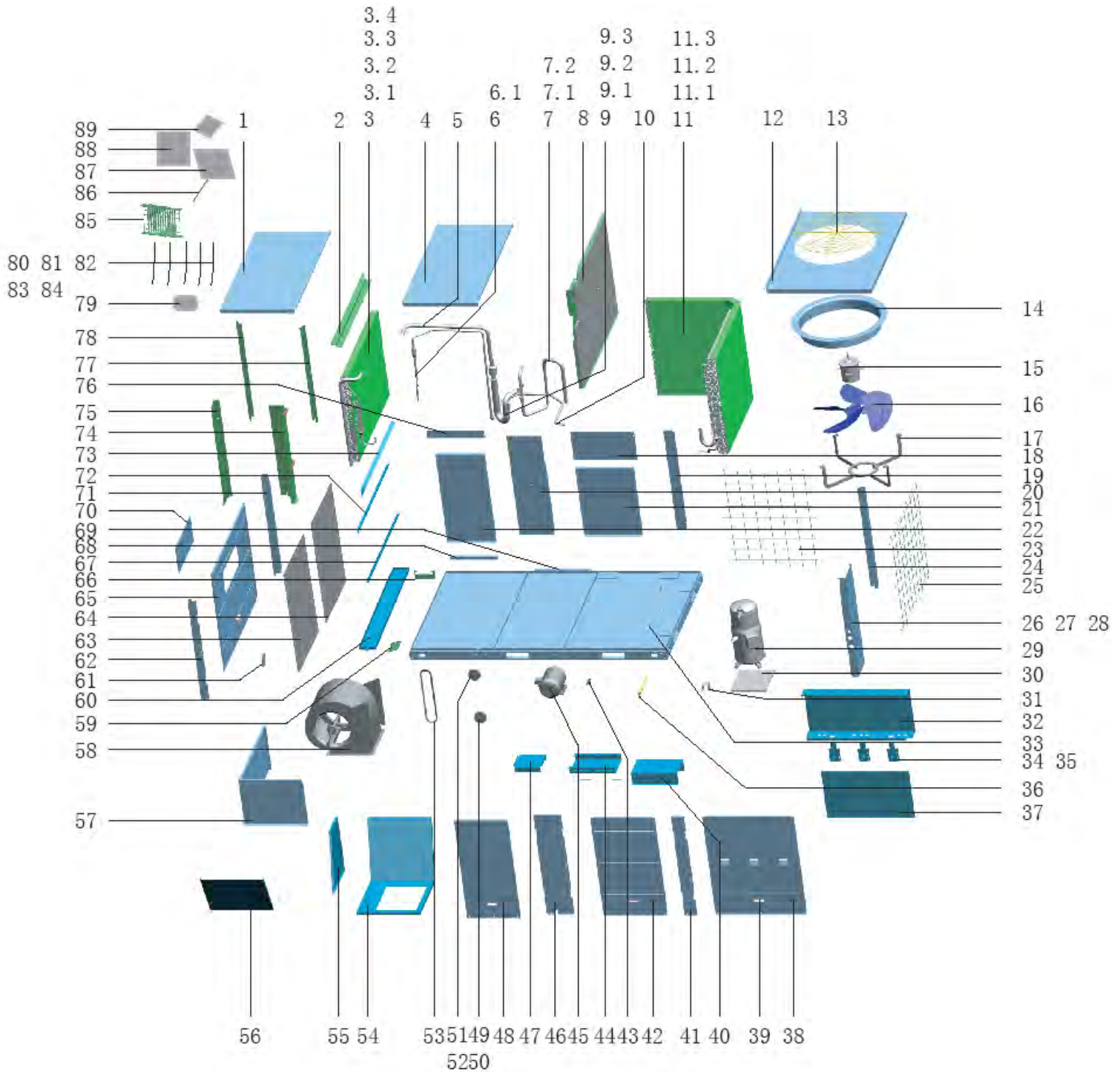
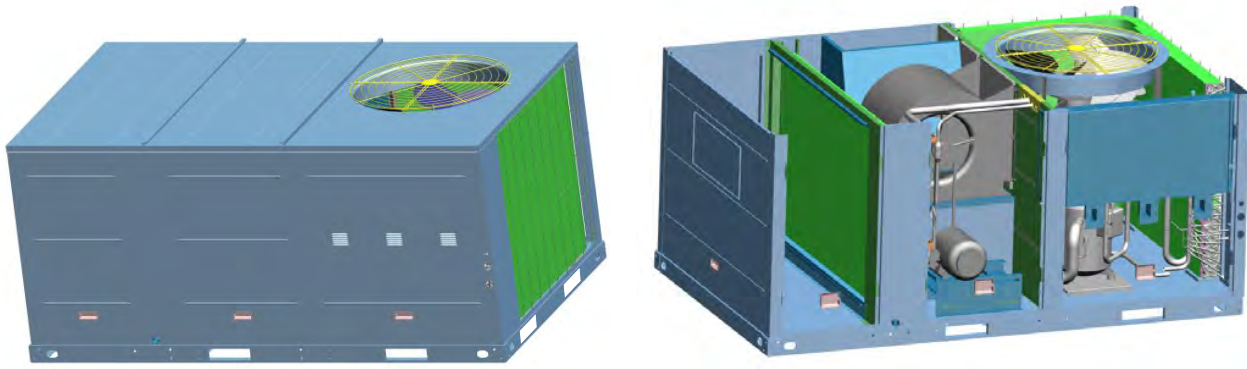


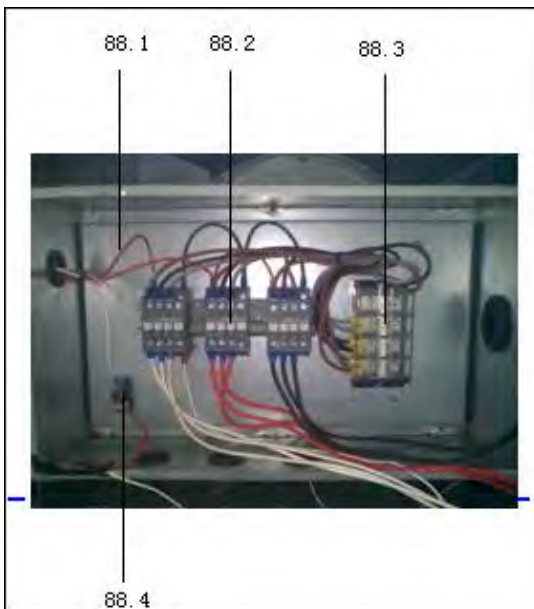
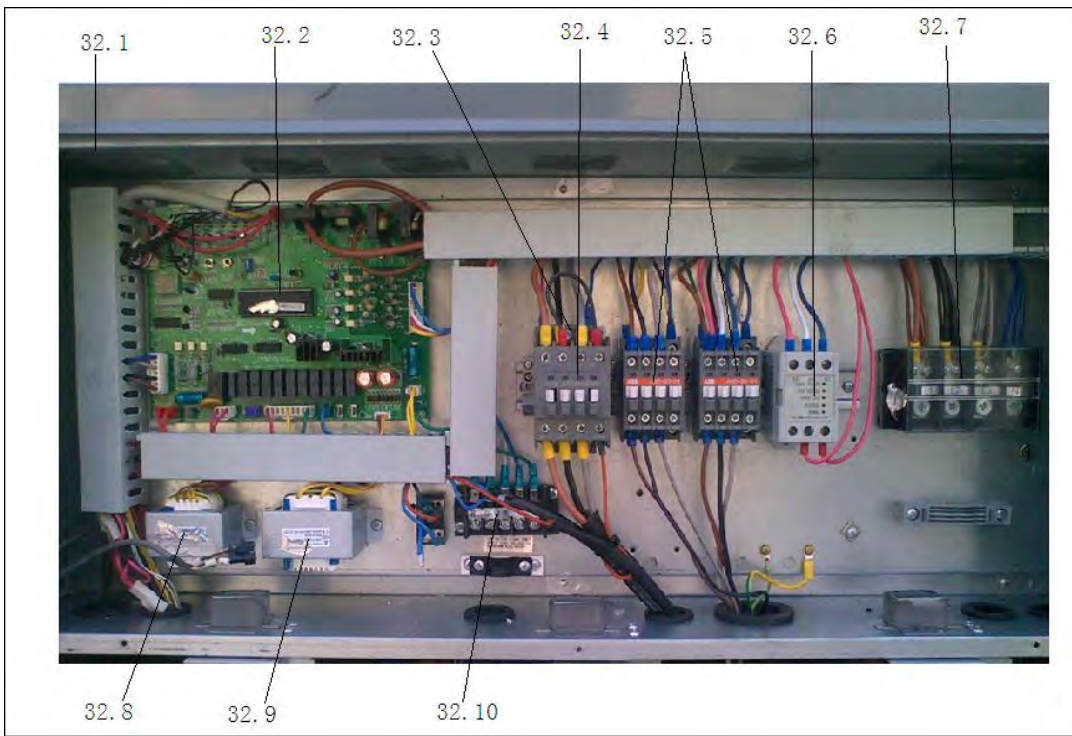


No.	Part Name	Qty	No.	Part Name	Qty
1	Top Cover plate ass'y	1	32.10	Wire joint	1
2	Evaporator seal board ass'y	1	33	Chassis components	1
3	Evaporator parts	1	34	Duct	3
3.1	Evaporator	1	35	Fixing board	3
3.2	Evaporator tube assembly output	1	36	Press plate assy	1
3.3	Enter the evaporator tube assembly	1	37	E-Part box cover	1
3.4	Y-Tee	1	38	Panel ass'y	1
4	Top cover ass'y	1	39	Handle	4
5	Evaporator tube assembly output connector	1	40	Motor bracket boarding	1
6	Evaporator input connetion pipe ass'y	1	41	Front right upright pole boarding	1
6.1	One way valve	1	42	Panel ass'y	1
7	Discharge pipe ass'y	1	43	Pipe clamp B	2
7.1	Pressure controller	1	44	Motor bracket	1
7.2	Form fitting assemblies	1	45	Motor	1
8	Outer baffle assembly	1	46	Rear left upright pole ass'y	1
9	Suction pipe ass'y	1	47	Motor holder	1
9.1	Pressure controller	1	48	Panel ass'y	1
9.2	Strainer	1	49	Wheel	1
9.3	Form fitting assemblies	1	50	Sleeve	1
10	Condenser tube assembly output connector	1	51	Wheel	1
11	Condenser parts	1	52	Sleeve	1
11.1	Condenser	1	53	Belt	1
11.2	Output tube condenser components	1	54	Supporting board	1
11.3	Input tube condenser components	1	55	Partition board ass'y	1
12	Outside the top cover plate welding parts	1	56	Guider board	1
13	Grille	1	57	Partition board ass'y	1

14	Deflector	1	58	Fan	1
15	Motor	1	59	Water collector	1
16	Fan	1	60	Drainage pan ass'y	1
17	Motor bracket	1	61	Fixed supporting	1
18	Supply air flange I ass'y	1	62	Rear left upright pole ass'y	1
19	Rear-right supporter	1	63	Air filter	1
20	Rear left upright pole ass'y	1	64	Air filter	1
21	Supply air cover plate ass'y	1	65	Panel ass'y	1
22	Return air cover plate ass'y	1	66	Supporting ass'y	1
23	Protection Net	1	67	Fixed supporting	1
24	Rear-right supporter	1	68	Return air flange	1
25	Protection Net	1	69	Supply air flange	1
26	Welding pieces of the right anterior column I	1	70	Cover plate ass'y	1
27	Peccadillo coacervation	2	71	Rear left upright pole ass'y	1
28	Winding	2	72	Fixed supporting	1
29	Compreesor	1	73	Evaporator seal board ass'y	1
30	Welding together pieces of the compressor base	1	74	Evaporator holder	1
31	Pipe support plate	1	75	Evaporator holder	1
32	Rooftop electrical box parts	1	76	Return air flange I ass'y	1
32.1	Welding together pieces of electronic control box	1	77	Evaporator holder ass'y	1
32.2	Outdoor main board ass'y	1	78	Evaporator holder	1
32.3	Surge suppresser	3	79	Wire controller	1
32.4	AC contactor	1	80	Temp sensor ass'y	1
32.5	Contactor	2	81	Coil temp sensor ass'y	1
32.7	Wire joint	1	82	room temp sensor ass'y	1
32.8	Transformer	1	83	Wire	1
32.9	24V AC transformer	1	84	Compressor wire joint ass'y	1

TME30T3

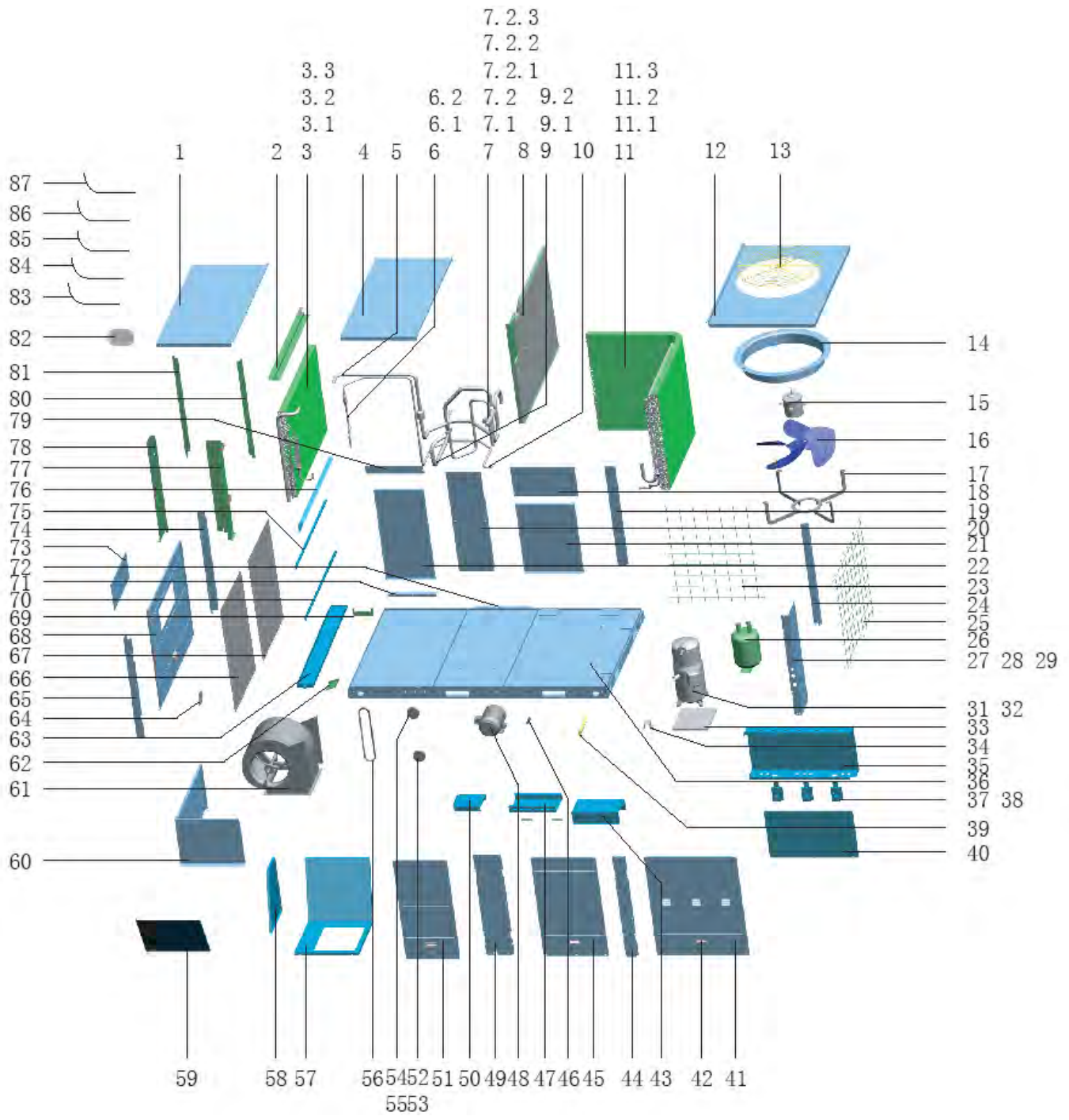
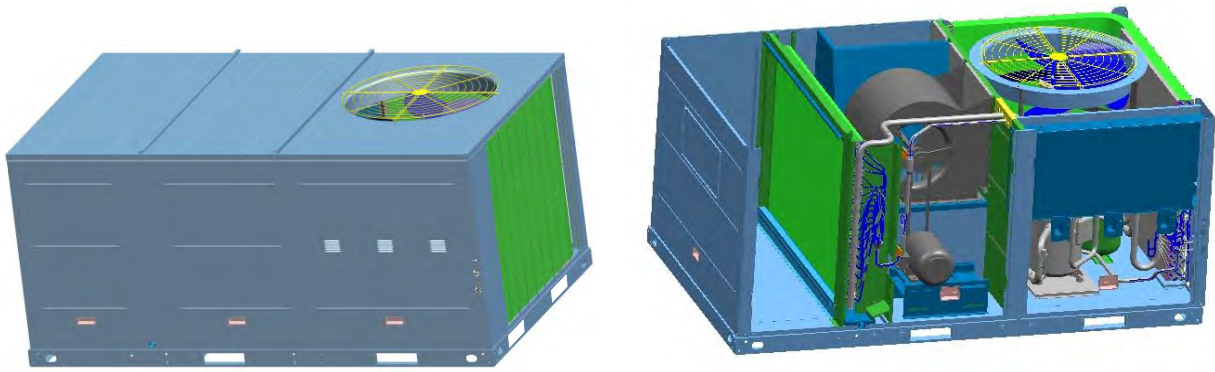


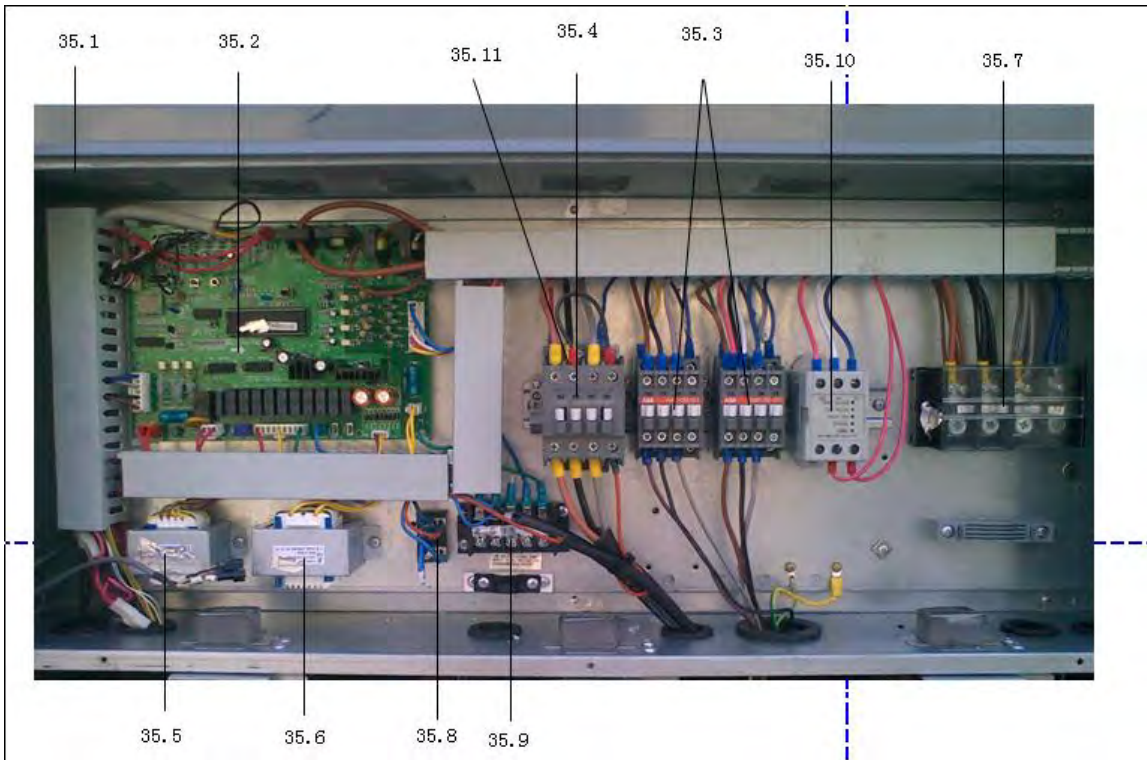


No.	Part Name	Qty	BOM code	No.	Part Name	Qty	BOM code
1	Top cover plate ass'y	1	201296590126	36	Press plate assy	1	201296490084
2	Evaporator seal board ass'y	1	201296290062	37	E-Part box cover	1	201296590100
3	Evaporator parts	1	201596290009	38	Panel ass'y	1	201296590076
3.1	Evaporator	1	201596290005	39	Handle	4	201148700003
3.2	Evaporator tube assembly output	1	201696290212	40	Motor bracket boarding	1	201296590064
3.3	Enter the evaporator tube assembly	1	201696290217	41	Front right upright pole boarding	1	201296590062
3.4	Y-Tee	1	201600500165	42	Panel ass'y	1	201296590072
4	Top cover ass'y	1	201296590124	43	Pipe clamp B	2	201286900515
5	Evaporator tube assembly output connector	1	201696290189	44	Motor bracket	1	201296590044
6	Evaporator input connetion pipe ass'y	1	201696290265	45	Motor	1	202400460005
6.1	One way valve	1	201600800042	46	Rear left upright pole ass'y	1	201296590047
7	Discharge pipe ass'y	1	201696290256	47	Motor holder	1	201296590066
7.1	Pressure controller	1	202301820041	48	Panel ass'y	1	201296590070
7.2	Form fitting assemblies	1	201696490506	49	Wheel	1	202900100220
8	Outer baffle assembly	1	201296290157	50	Sleeve	1	202900200010
9	Suction pipe ass'y	1	201696290254	51	Wheel	1	202900101012
9.1	Pressure controller	1	202301820021	52	Sleeve	1	202900200002
9.2	Strainer	1	201600900101	53	Belt	1	202701000216
9.3	Form fitting assemblies	1	201696490506	54	Supporting board	1	201296290016
10	Condenser tube assembly output connector	1	201696290191	55	Partition board ass'y	1	201296290014
11	Condenser parts	1	201596290012	56	Guider board	1	201296590101
11.1	Condenser	1	201596290004	57	Partition board ass'y	1	201296290002
11.2	Output tube condenser components	1	201696290239	58	Fan	1	201200300023
11.3	Input tube condenser components	1	201696290207	59	Water collector	1	201296290061
12	Outside the top cover plate welding parts	1	201296290137	60	Drainage pan ass'y	1	201296590097
13	Grille	1	201219900914	61	Fixed supporting	1	201296590102
14	Deflector	1	201219900912	62	Rear left upright pole ass'y	1	201296590045
15	Motor	1	202400800256	63	Air filter	1	201101100067
16	Fan	1	201200300225	64	Air filter	1	201101100066
17	Motor bracket	1	201219900913	65	Panel ass'y	1	201296590068
18	Supply air flange I ass'y	1	201296290010	66	Supporting ass'y	1	201296590085
19	Rear-right supporter	1	201296290069	67	Fixed supporting	1	201296590130
20	Rear left upright pole ass'y	1	201296290012	68	Return air flange	1	201296590042
21	Supply air cover plate ass'y	1	201296590112	69	Supply air flange	1	201296590043
22	Return air cover plate ass'y	1	201296590114	70	Cover plate ass'y	1	201296590078
23	Protection Net	1	201296290067	71	Rear left upright pole ass'y	1	201296590056
24	Rear-right supporter	1	201296290065	72	Fixed supporting	1	201296590131

No.	Part Name	Qty	BOM code	No.	Part Name	Qty	BOM code
25	Protection Net	1	201296290066	73	Evaporator seal board ass'y	1	201296290055
26	Welding pieces of the right anterior column I	1	201296290144	74	Evaporator holder	1	201296290083
27	Peccadillo coacervation	2	201196190007	75	Evaporator holder	1	201296290059
28	Winding	2	201196190008	76	Return air flange I ass'y	1	201296590080
29	Compresor	1	201402300210	77	Evaporator holder	1	201296290063
30	Welding together pieces of the compressor base	1	201296290142	78	Evaporator holder ass'y	1	201296290064
31	Pipe support plate	1	201296290146	79	Wire controller	1	203355100023
32	Rooftop electrical box parts	1	203396290033	80	Temp sensor ass'y	1	202301300033
32.1	Welding together pieces of electronic control box	1	201296290134	81	Coil temp sensor ass'y	1	202301300081
32.2	Outdoor main board ass'y	1	201396290035	82	room temp sensor ass'y	1	202301300091
32.3	Surge suppresser	3	202301610601	83	Wire	1	202496590001
32.4	AC contactor	1	202300850050	84	Compressor wire joint ass'y	1	202496590000
32.5	Contactor	2	202300800110	85	Auxiliary electric heater ass'y	1	202403100244
32.7	Wire joint	1	202301450110	86	Fixing board	2	201296290009
32.8	Transformer	1	202300900109	87	E-Part box cover	1	201296290006
32.9	24V AC transformer	1	202300900160	88	E-Part box	1	203396290016
32.10	Wire joint	1	202301450135	88.1	E-Part box	1	201296290021
33	Chassis components	1	201296290147	88.2	Contactor	3	202300850043
34	Duct	3	201295100008	88.3	Wire joint	1	202301450110
35	Fixing board	3	201296590082	88.4	Wire joint	1	202301450122
				89	Insulation board	1	201296290008

TMH30T3

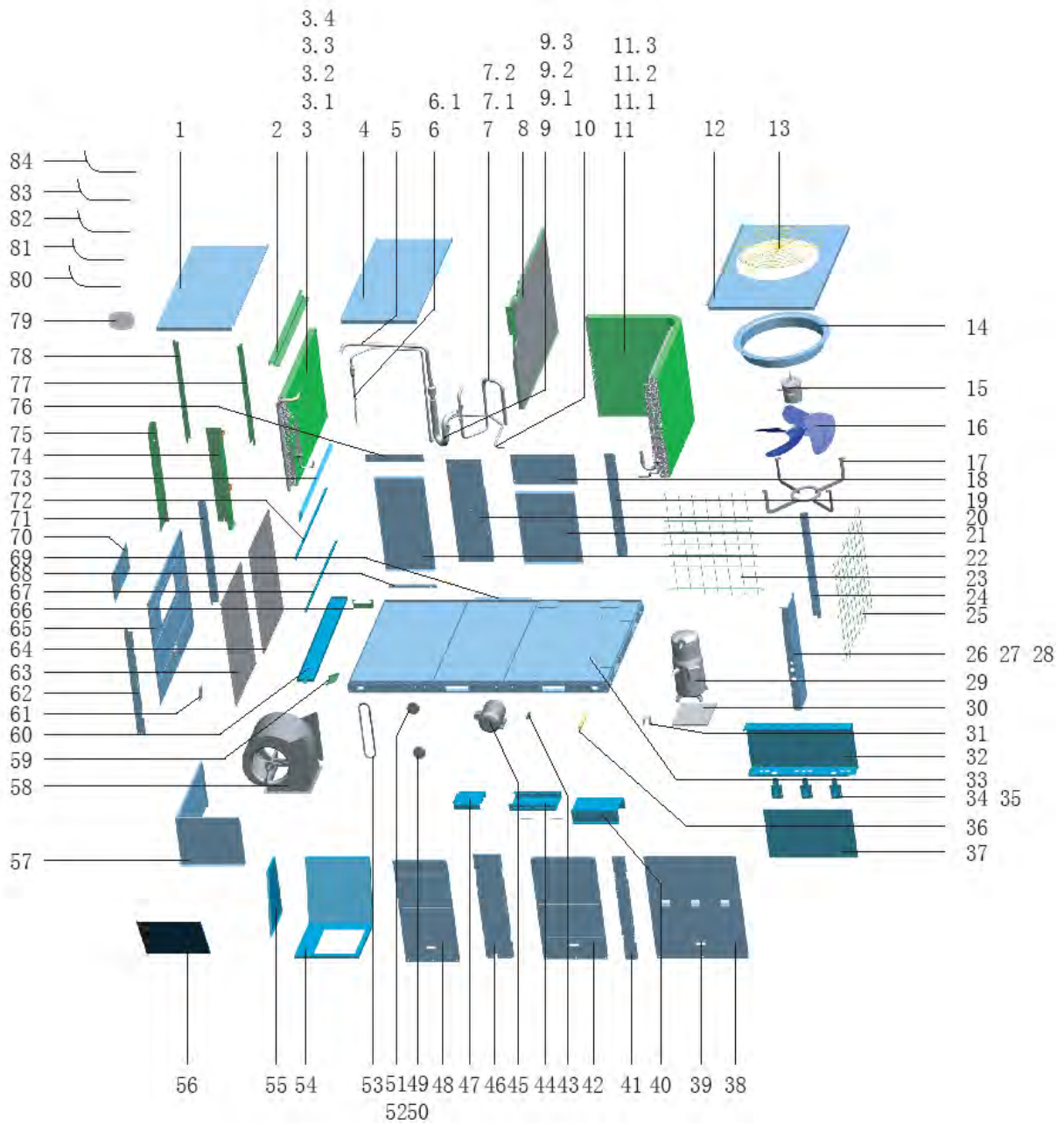
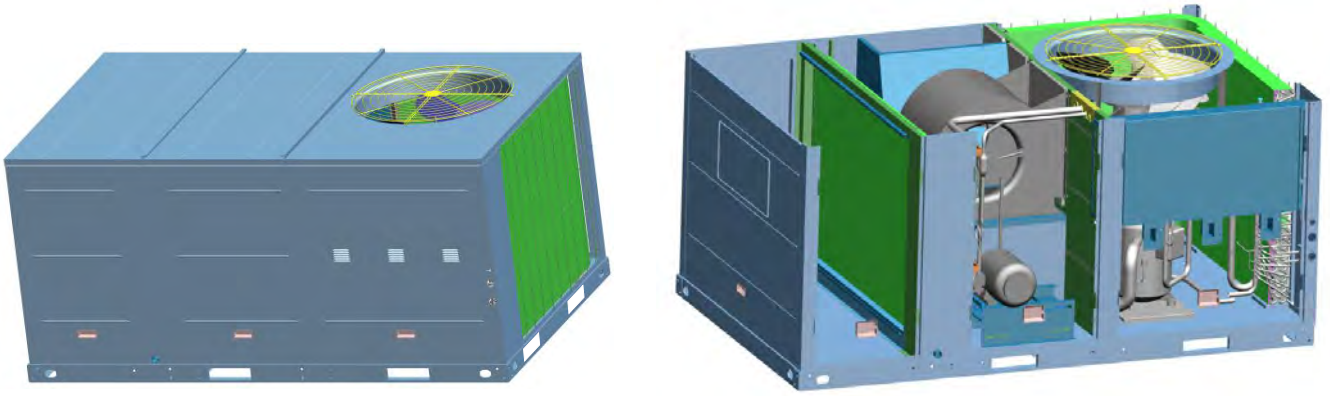


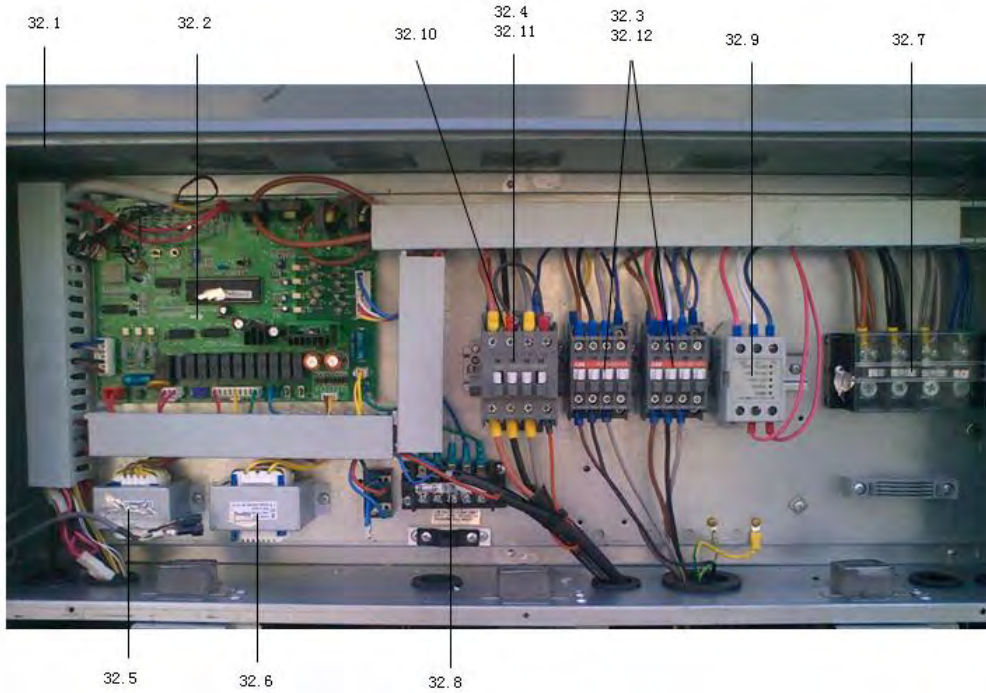


No.	Part Name	Qty	No.	Part Name	Qty
1	Top Cover plate ass'y	1	35.8	Wire joint	1
2	Evaporator seal board ass'y	1	35.9	Wire joint	1
3	Evaporator parts	1	35.11	Surge suppresser	3
3.1	Evaporator	1	36	Chassis components	1
3.2	Evaporator tube assembly output	1	37	Duct	3
3.3	Enter the evaporator tube assembly	1	38	Fixing board	3
4	Top cover ass'y	1	39	Press plate assy	1
5	Evaporator tube assembly output connector	1	40	E-Part box cover	1
6	Evaporator input connetion pipe ass'y	1	41	Panel ass'y	1
6.1	One way valve	1	42	Handle	4
6.2	Strainer	1	43	Motor bracket boarding	1
7	Four-way valve parts	1	44	Front right upright pole boarding	1
7.1	4-Ways valve solenoid	1	45	Panel ass'y	1
7.2	Four-way valve assembly	1	46	Pipe clamp B	2
7.2.1	4-way valve	1	47	Motor bracket	1
7.2.2	Pressure controller	1	48	Motor	1
7.2.3	Form fitting assemblies	1	49	Rear left upright pole ass'y	1
8	Outer baffle assembly	1	50	Motor holder	1
9	Components of the compressor back to the trachea	1	51	Panel ass'y	1
9.1	Pressure controller	1	52	Wheel	1
9.2	Form fitting assemblies	1	53	Sleeve	1
10	Condenser tube assembly output connector	1	54	Wheel	1
11	Condenser parts	1	55	Sleeve	1
11.1	Condenser	1	56	Belt	1
11.2	Input tube condenser components	1	57	Supporting board	1
11.3	Output tube condenser components	1	58	Partition board ass'y	1
12	Outside the top cover plate welding parts	1	59	Guider board	1

13	Grille	1	60	Partition board ass'y	1
14	Deflector	1	61	Fan	1
15	Motor	1	62	Water collector	1
16	Fan	1	63	Drainage pan ass'y	1
17	Motor bracket	1	64	Fixed supporting	1
18	Supply air flange I ass'y	1	65	Rear left upright pole ass'y	1
19	Rear-right supporter	1	66	Air filter	1
20	Rear left upright pole ass'y	1	67	Air filter	1
21	Supply air cover plate ass'y	1	68	Panel ass'y	1
22	Return air cover plate ass'y	1	69	Supporting ass'y	1
23	Protection Net	1	70	Fixed supporting	1
24	Rear-right supporter	1	71	Return air flange	1
25	Protection Net	1	72	Supply air flange	1
26	Separator	1	73	Cover plate ass'y	1
27	Welding pieces of the right anterior column I	1	74	Rear left upright pole ass'y	1
28	Peccadillo coacervation	2	75	Fixed supporting	1
29	Winding	2	76	Evaporator seal board ass'y	1
31	Compressor	1	77	Evaporator holder	1
32	Electrical heating belt compression	1	78	Evaporator holder	1
33	Welding together pieces of the compressor base	1	79	Return air flange I ass'y	1
34	Pipe support plate	1	80	Evaporator holder	1
35	Rooftop electrical box parts	1	81	Evaporator holder ass'y	1
35.1	Welding together pieces of electronic control box	1	82	Wire controller	1
35.2	Outdoor main board ass'y	1	83	Temp sensor ass'y	1
35.3	Contacto	2	84	Coil temp sensor ass'y	1
35.4	AC contacto	1	85	room temp sensor ass'y	1
35.5	Transformer	1	86	Wire	1
35.6	24V AC transformer	1	87	Compressor wire joint ass'y	1
35.7	Wire joint	1			

9.5 10ton
TMC35T3

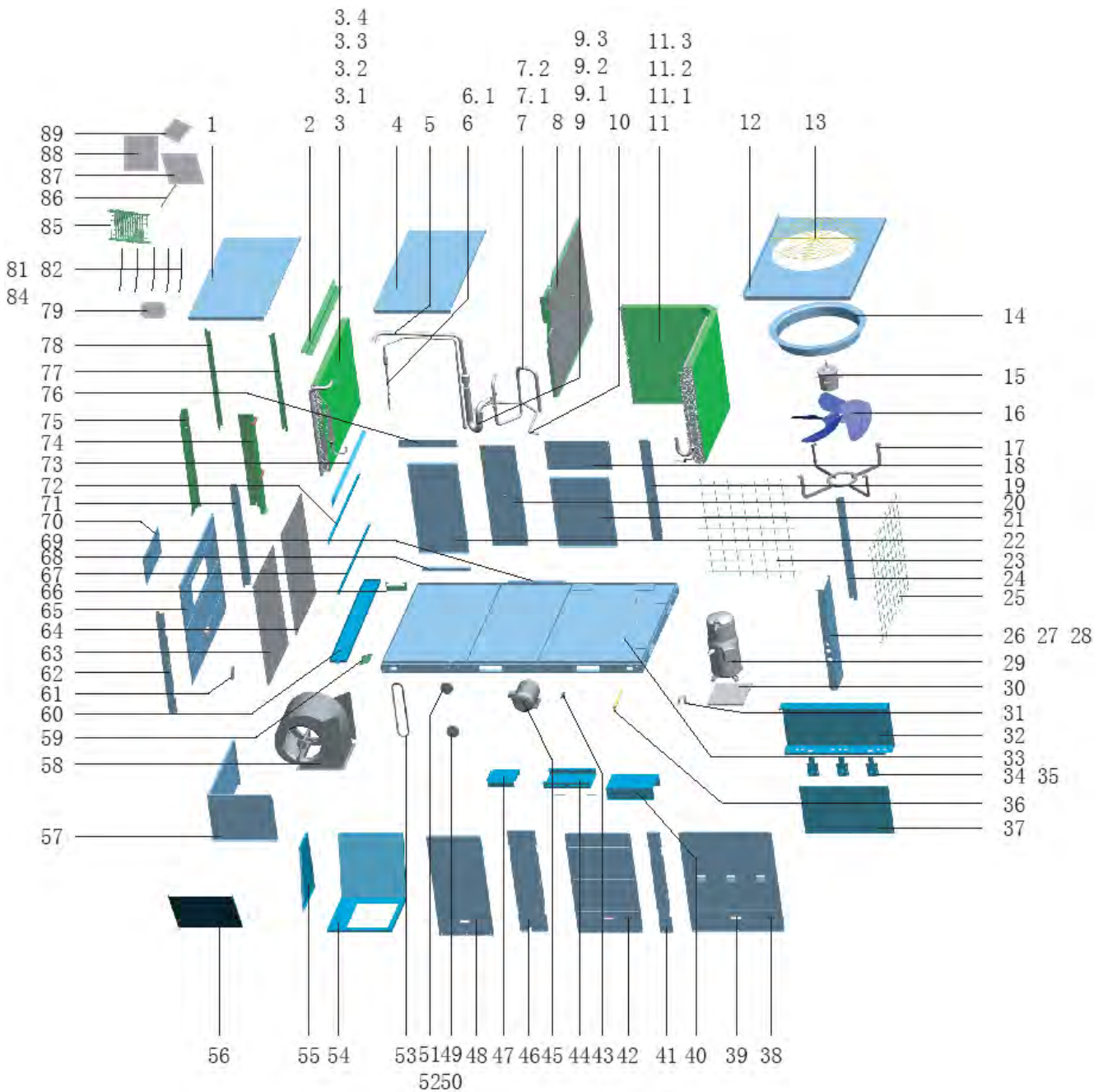
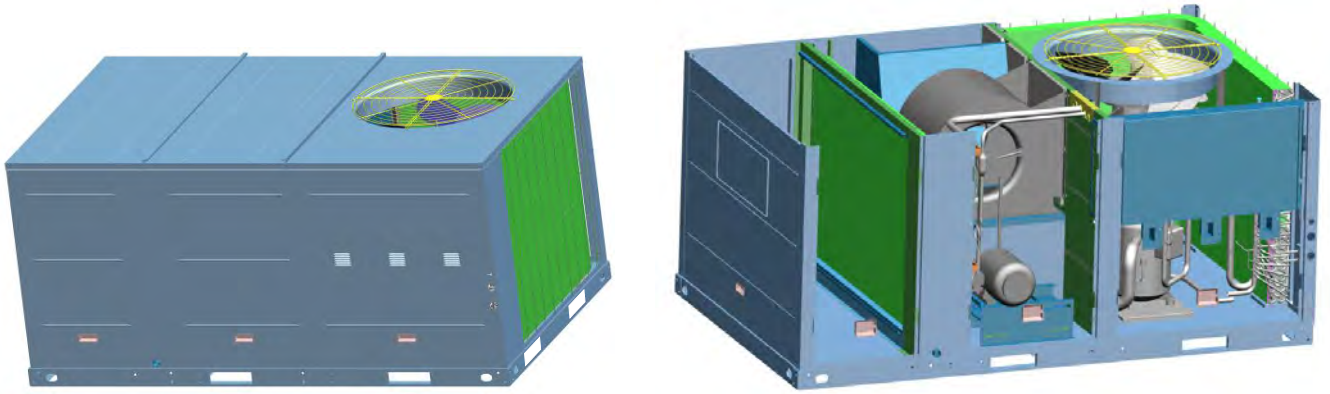


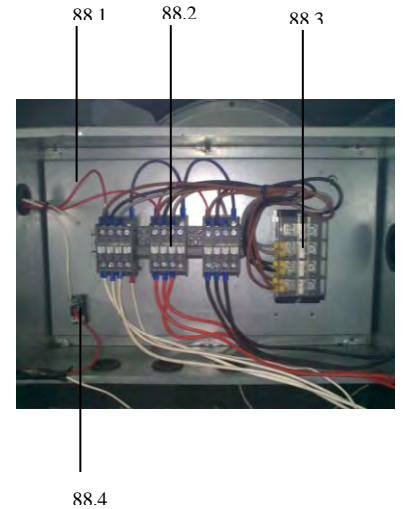
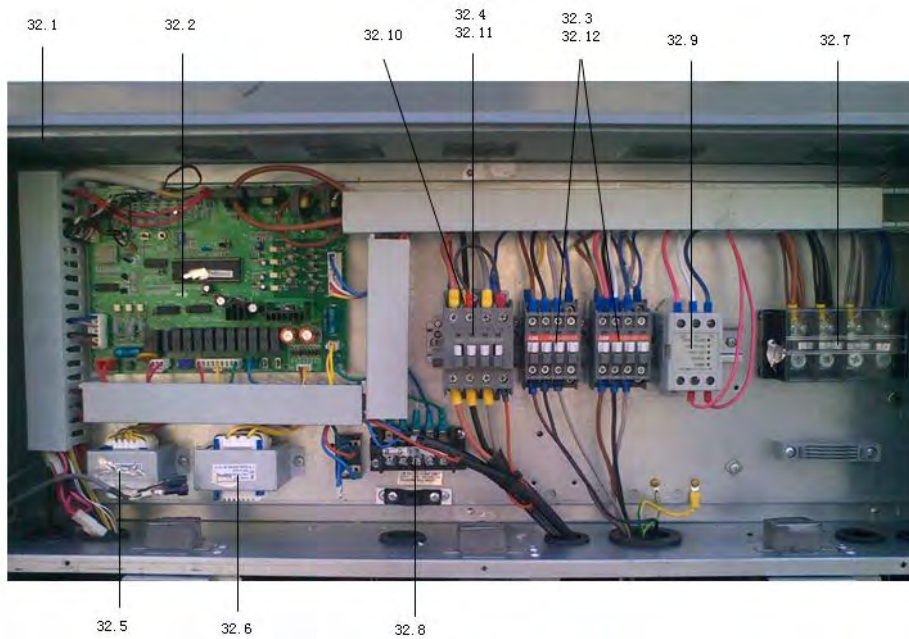


No.	Part Name	Qty	No.	Part Name	Qty
1	Top Cover plate ass'y	1	32.11	Wire joint ass'y	1
2	Evaporator seal board ass'y	1	32.12	Wire joint ass'y	1
3	Evaporator parts	1	33	Chassis components	1
3.1	Evaporator	1	34	Duct	3
3.2	Evaporator tube assembly output	1	35	Fixing board	3
3.3	Enter the evaporator tube assembly	1	36	Press plate assy	1
3.4	Y-Tee	1	37	E-Part box cover	1
4	Top cover ass'y	1	38	Panel ass'y	1
5	Evaporator tube assembly output connector	1	39	Handle	4
6	Evaporator tube assembly input connections	1	40	Motor bracket boarding	1
6.1	Strainer	1	41	Front right upright pole boarding	1
7	Discharge pipe ass'y	1	42	Panel ass'y	1
7.1	Pressure controller	1	43	Pipe clamp B	2
7.2	Form fitting assemblies	1	44	Motor bracket	1
8	Outer baffle assembly	1	45	Motor	1
9	Suction pipe ass'y	1	46	Rear left upright pole ass'y	1
9.1	Pressure controller	1	47	Motor holder	1
9.2	Strainer	1	48	Panel ass'y	1
9.3	Form fitting assemblies	1	49	Wheel	1
10	Condenser tube assembly output connector	1	50	Sleeve	1
11	Condenser components	1	51	Wheel	1
11.1	Condenser	1	52	Sleeve	1
11.2	Input tube condenser components	1	53	Belt	1
11.3	Output tube condenser components	1	54	Supporting board	1
12	Outside the top cover plate welding parts	1	55	Partition board ass'y	1
13	Grille	1	56	Guider board	1

14	Deflector	1	57	Partition board ass'y	1
15	Motor	1	58	Fan	1
16	Fan	1	59	Water collector	1
17	Motor bracket	1	60	Drainage pan ass'y	1
18	Supply air flange I ass'y	1	61	Fixed supporting	1
19	Rear-right supporter	1	62	Rear left upright pole ass'y	1
20	Rear left upright pole ass'y	1	63	Air filter	1
21	Supply air cover plate ass'y	1	64	Air filter	1
22	Return air cover plate ass'y	1	65	Panel ass'y	1
23	Protection Net	1	66	Supporting ass'y	1
24	Rear-right supporter	1	67	Fixed supporting	1
25	Protection Net	1	68	Return air flange	1
26	Welding pieces of the right anterior column I	1	69	Supply air flange	1
27	Peccadillo coacervation	2	70	Cover plate ass'y	1
28	Winding	2	71	Rear left upright pole ass'y	1
29	Compressor	1	72	Fixed supporting	1
30	Welding together pieces of the compressor base	1	73	Evaporator seal board ass'y	1
31	Pipe support plate	1	74	Evaporator holder	1
32	E-part box ass'y	1	75	Evaporator holder	1
32.1	Welding together pieces of electronic control box	1	76	Return air flange I ass'y	1
32.2	Main control board ass'y	1	77	Evaporator holder ass'y	1
32.3	Contactator	2	78	Evaporator holder	1
32.4	AC contactor	1	79	Wire controller	1
32.5	Transformer	1	80	Temp sensor ass'y	1
32.6	24V AC transformer	1	81	Coil temp sensor ass'y	1
32.7	Wire joint	1	82	room temp sensor ass'y	1
32.8	Wire joint	1	83	Wire	1
32.10	Surge suppresser	3	84	Compressor wire joint ass'y	1

TME35T3

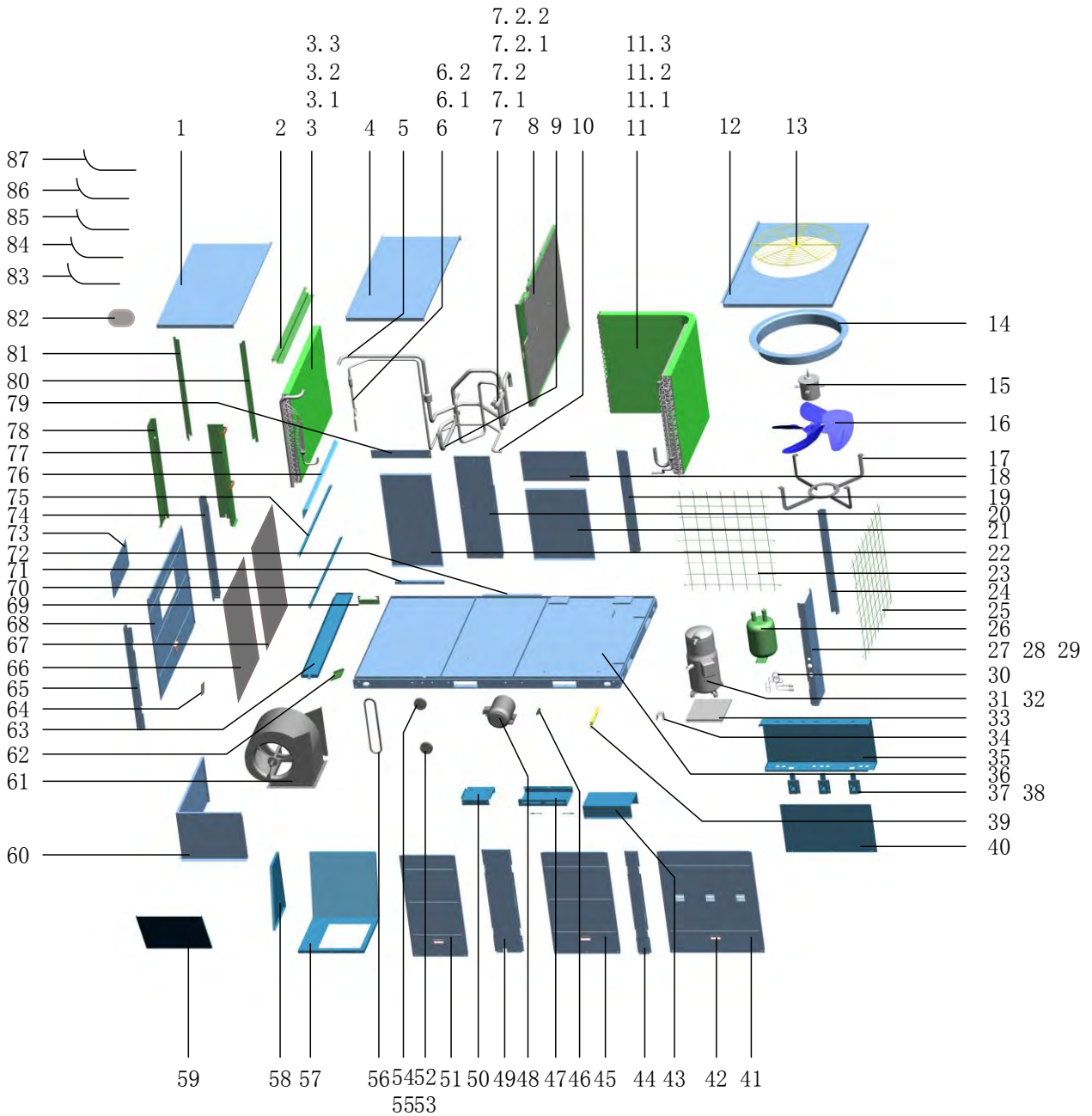
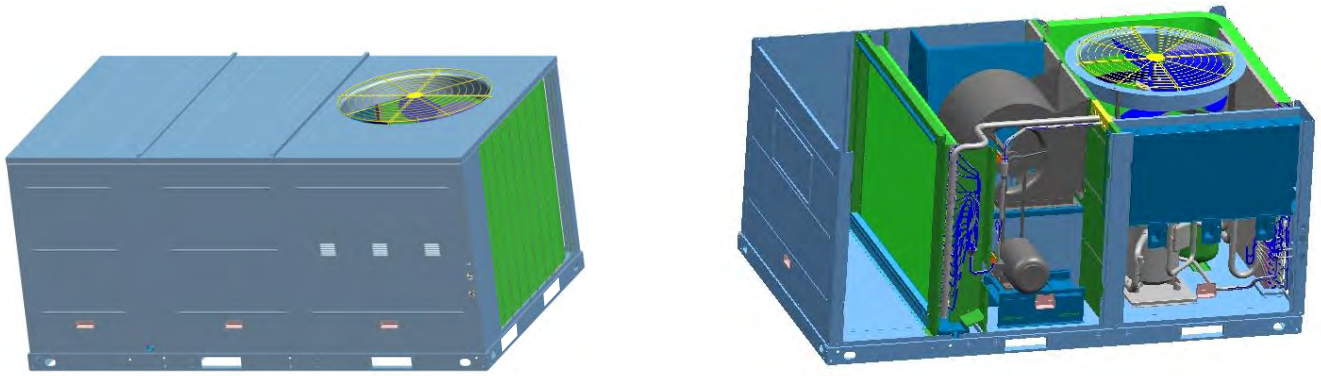


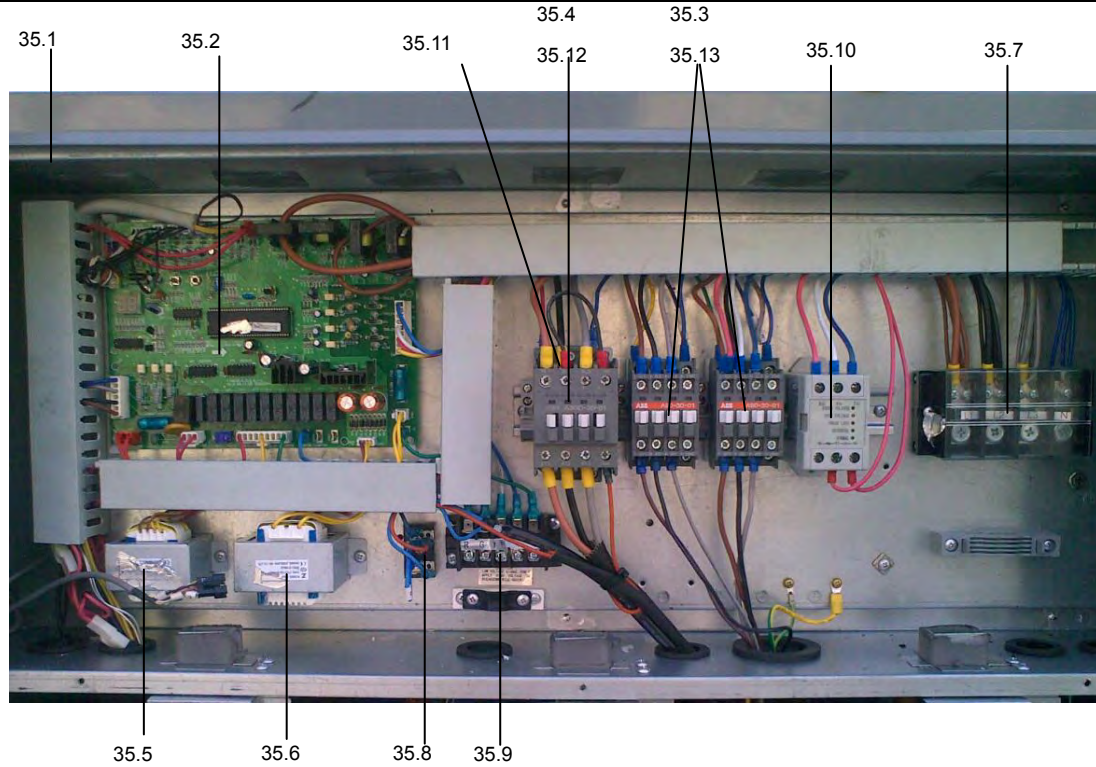


No.	Part Name	Qty	No.	Part Name	Qty
1	Top Cover plate ass'y	1	35	Fixing board	3
2	Evaporator seal board ass'y	1	36	Press plate assy	1
3	Evaporator parts	1	37	E-Part box cover	1
3.1	Evaporator	1	38	Panel ass'y	1
3.2	Evaporator tube assembly output	1	39	Handle	4
3.3	Enter the evaporator tube assembly	1	40	Motor bracket boarding	1
3.4	Y-Tee	1	41	Front right upright pole boarding	1
4	Top cover ass'y	1	42	Panel ass'y	1
5	Evaporator tube assembly output connector	1	43	Pipe clamp B	2
6	Evaporator tube assembly input connections	1	44	Motor bracket	1
6.1	Strainer	1	45	Motor	1
7	Discharge pipe ass'y	1	46	Rear left upright pole ass'y	1
7.1	Pressure controller	1	47	Motor holder	1
7.2	Form fitting assemblies	1	48	Panel ass'y	1
8	Outer baffle assembly	1	49	Wheel	1
9	Suction pipe ass'y	1	50	Sleeve	1
9.1	Pressure controller	1	51	Wheel	1
9.2	Strainer	1	52	Sleeve	1
9.3	Form fitting assemblies	1	53	Belt	1
10	Condenser tube assembly output connector	1	54	Supporting board	1
11	Condenser components	1	55	Partition board ass'y	1
11.1	Condenser	1	56	Guider board	1
11.2	Input tube condenser components	1	57	Partition board ass'y	1
11.3	Output tube condenser components	1	58	Fan	1
12	Outside the top cover plate welding parts	1	59	Water collector	1
13	Grille	1	60	Drainage pan ass'y	1
14	Deflector	1	61	Fixed supporting	1
15	Motor	1	62	Rear left upright pole ass'y	1

16	Fan	1	63	Air filter	1
17	Motor bracket	1	64	Air filter	1
18	Supply air flange I ass'y	1	65	Panel ass'y	1
19	Rear-right supporter	1	66	Supporting ass'y	1
20	Rear left upright pole ass'y	1	67	Fixed supporting	1
21	Supply air cover plate ass'y	1	68	Return air flange	1
22	Return air cover plate ass'y	1	69	Supply air flange	1
23	Protection Net	1	70	Cover plate ass'y	1
24	Rear-right supporter	1	71	Rear left upright pole ass'y	1
25	Protection Net	1	72	Fixed supporting	1
26	Welding pieces of the right anterior column I	1	73	Evaporator seal board ass'y	1
27	Peccadillo coacervation	2	74	Evaporator holder	1
28	Winding	2	75	Evaporator holder	1
29	Compressor	1	76	Return air flange I ass'y	1
30	Welding together pieces of the compressor base	1	77	Evaporator holder	1
31	Pipe support plate	1	78	Evaporator holder ass'y	1
32	E-part box ass'y	1	79	Wire controller	1
32.1	Welding together pieces of electronic control box	1	80	Temp sensor ass'y	1
32.2	Main control board ass'y	1	81	Coil temp sensor ass'y	1
32.3	Contactor	2	82	room temp sensor ass'y	1
32.4	AC contactor	1	83	Wire	1
32.5	Transformer	1	84	Compressor wire joint ass'y	1
32.6	24V AC transformer	1	85	Auxiliary electric heater ass'y	1
32.7	Wire joint	1	86	Fixing board	2
32.8	Wire joint	1	87	E-Part box cover	1
32.10	Surge suppresser	3	88	E-Part box	1
32.11	Wire joint ass'y	1	88.1	E-Part box	1
32.12	Wire joint ass'y	1	88.2	Contactor	3
33	Chassis components	1	88.3	Wire joint	1
34	Duct	3	88.4	Wire joint	1
			89	Insulation board	1

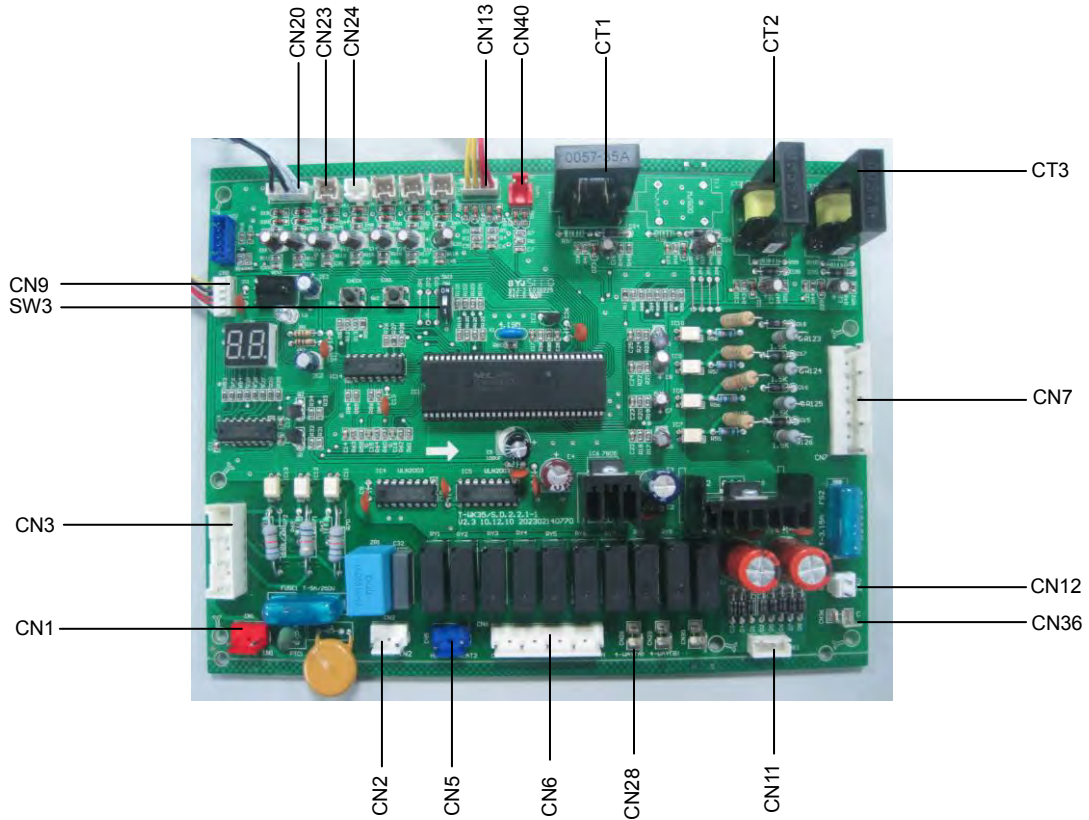
TMH35T3





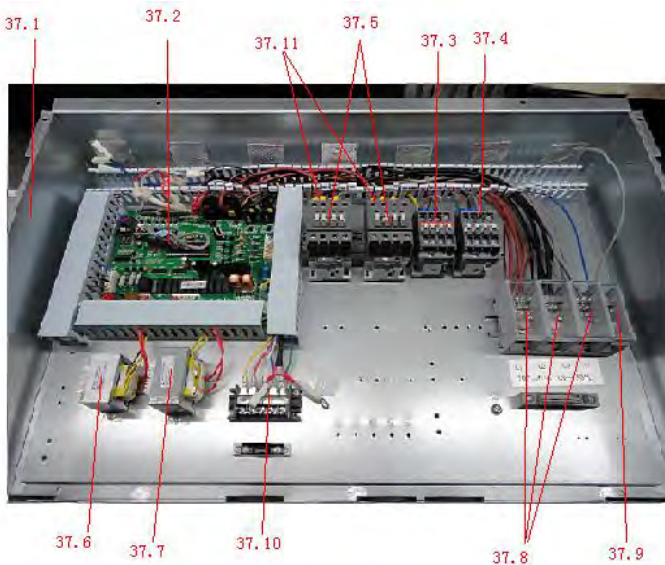
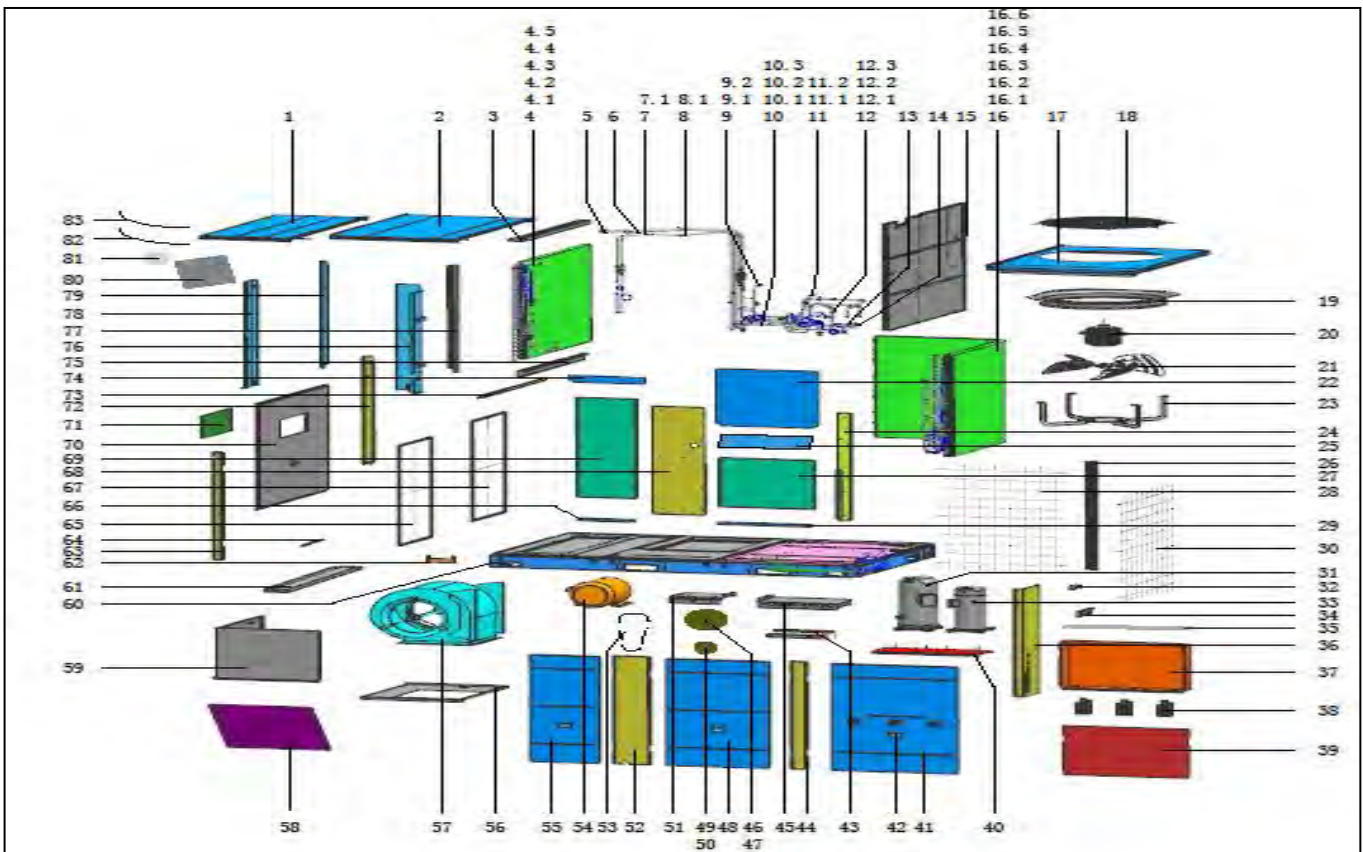
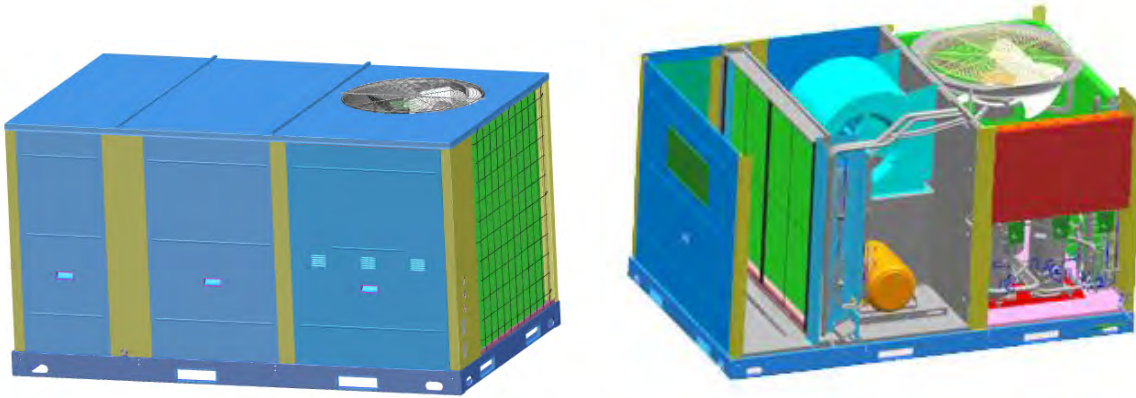
No.	Part Name	Qty	No.	Part Name	Qty
1	Top Cover plate ass'y	1	35.9	Wire joint	1
2	Evaporator seal board ass'y	1	35.11	Surge suppresser	3
3	Evaporator parts	1	35.12	Wire joint ass'y	1
3.1	Evaporator	1	35.13	Wire joint ass'y	1
3.2	Evaporator tube assembly output	1	36	Chassis components	1
3.3	Enter the evaporator tube assembly	1	37	Duct	3
4	Top cover ass'y	1	38	Fixing board	3
5	Evaporator tube assembly output connector	1	39	Press plate ass'y	1
6	Evaporator tube assembly input connections	1	40	E-Part box cover	1
6.1	One way valve	1	41	Panel ass'y	1
6.2	Strainer	1	42	Handle	4
7	Four-way valve parts	1	43	Motor bracket boarding	1
7.1	4-Way valve solenoid	1	44	Front right upright pole boarding	1
7.2	Four-way valve assembly	1	45	Panel ass'y	1
7.2.1	4-way valve	1	46	Pipe clamp B	2
7.2.2	Pressure controller	1	47	Motor bracket	1
8	Outer baffle assembly	1	48	Motor	1
9	Components of the compressor back to the trachea	1	49	Rear left upright pole ass'y	1
10	Condenser tube assembly output connector	1	50	Motor holder	1
11	Condenser components	1	51	Panel ass'y	1
11.1	Condenser	1	52	Wheel	1
11.2	Input tube condenser components	1	53	Sleeve	1
11.3	Output tube condenser components	1	54	Wheel	1
12	Outside the top cover plate welding parts	1	55	Sleeve	1
13	Grille	1	56	Belt	1
14	Deflector	1	57	Supporting board	1
15	Motor	1	58	Partition board ass'y	1

16	Fan	1	59	Guider board	1
17	Motor bracket	1	60	Partition board ass'y	1
18	Supply air flange l ass'y	1	61	Fan	1
19	Rear-right supporter	1	62	Water collector	1
20	Rear left upright pole ass'y	1	63	Drainage pan ass'y	1
21	Supply air cover plate ass'y	1	64	Fixed supporting	1
22	Return air cover plate ass'y	1	65	Rear left upright pole ass'y	1
23	Protection Net	1	66	Air filter	1
24	Rear-right supporter	1	67	Air filter	1
25	Protection Net	1	68	Panel ass'y	1
26	Separator	1	69	Supporting ass'y	1
27	Welding pieces of the right anterior column l	1	70	Fixed supporting	1
28	Peccadillo coacervation	2	71	Return air flange	1
29	Winding	2	72	Supply air flange	1
30	Form fitting assemblies	2	73	Cover plate ass'y	1
31	Compressor	1	74	Rear left upright pole ass'y	1
32	Compressor electric heater	1	75	Fixed supporting	1
33	Welding together pieces of the compressor base	1	76	Evaporator seal board ass'y	1
34	Pipe support plate	1	77	Evaporator holder	1
35	Electrical control box parts roof	1	78	Evaporator holder	1
35.1	Welding together pieces of electronic control box	1	79	Return air flange l ass'y	1
35.2	Outdoor control board assembly	1	80	Evaporator holder	1
35.3	Contactora	2	81	Evaporator holder ass'y	1
35.4	AC contactora	1	82	Wire controller	1
35.5	Transformer	1	83	Temp sensor ass'y	1
35.6	24V AC transformer	1	84	Coil temp sensor ass'y	1
35.7	Wire joint	1	85	room temp sensor ass'y	1
35.8	Wire joint	1	86	Wire	1
			87	Compressor wire joint ass'y	1



CODE	TITLE	CODE	TITLE	CODE	TITLE
CN1	Transformer	CN12	Transformer	CN24	Indoor pipe temp. sensor
CN2	Transformer	CN7	To the wire controller	CN23	Indoor room temp. sensor
CN5	Electric heater	CT3	Current indicator	CN20	Pipe temp. sensor of unit A/B Outdoor temp. sensor
CN6	Compressor , outdoor & indoor fan motor power supply	CT2	Current indicator	CN9	To be connected wired controller KJR-12B
CN28	4-way terminal (A)	CT1	Current indicator	SW3	Wired controller set up switch
CN11	Transformer	CN40	Outdoor fan protection switch	CN3	Power supply
CN36	To the wired controller	CN13	High & low pressure switch Temp protection switch		

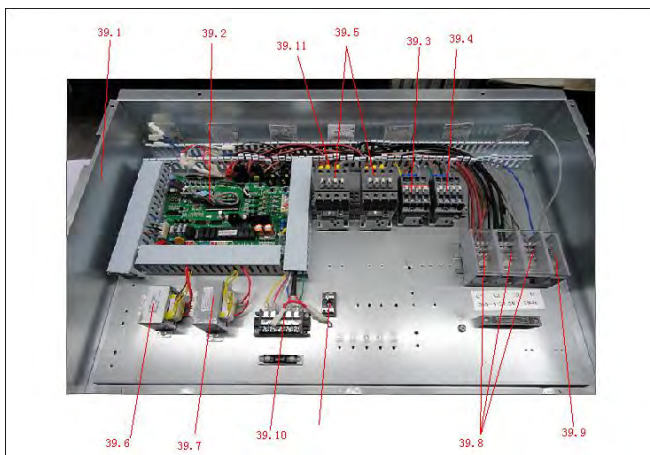
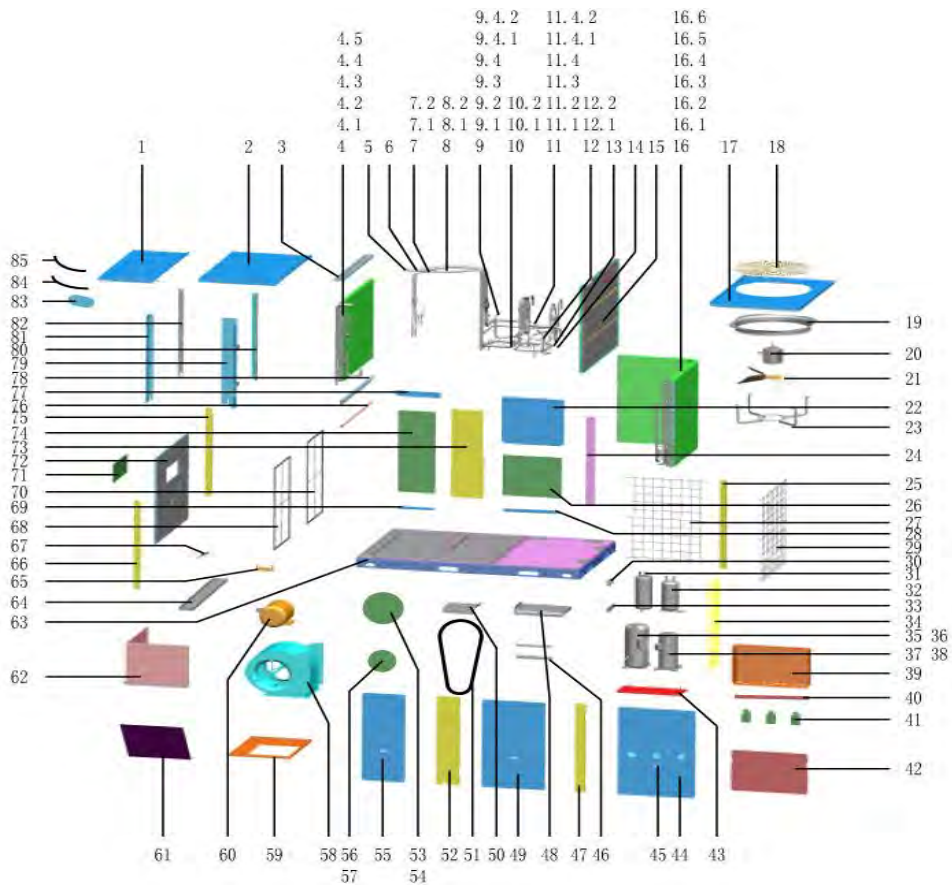
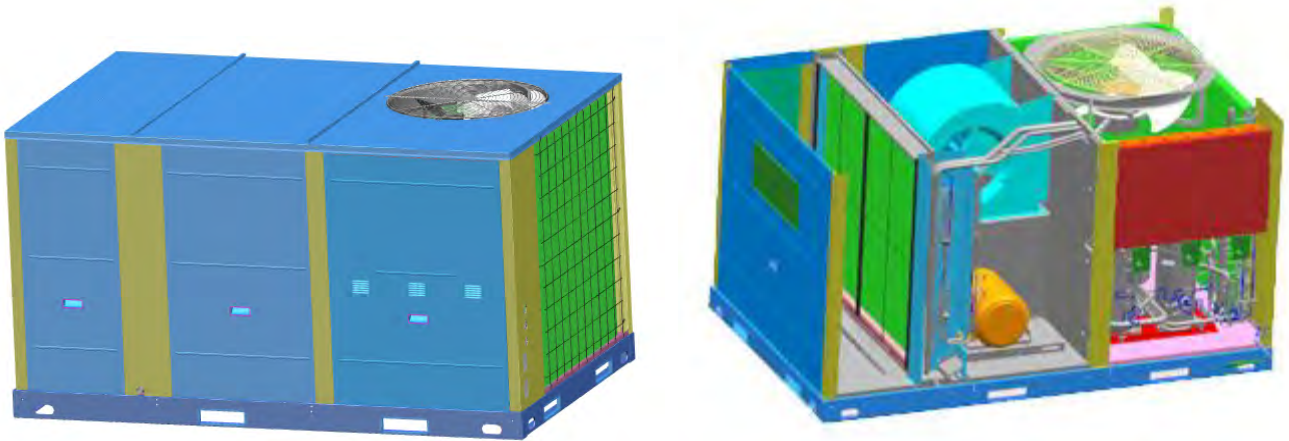
9.6 TMC44T3
12.5ton



No.	Part Name	Qty	No.	Part Name	Qty
1	Inside top cover board ass'y	1	37	E-box ass'y	1
2	Middle top cover ass'y	1	37.1	E-part box	1
3	Evaporator top seal plate ass'y	1	37.2	Main control board ass'y	1
4	Evaporator ass'y	1	37.3	Contactora	1
4.1	Evaporator	1	37.4	Contactora	1
4.2	A evaporator input pipe ass'y	1	37.5	AC contactora	2
4.3	B evaporator input pipe ass'y	1	37.6	Transformer	1
4.4	A evaporator output pipe ass'y	1	37.7	24V AC transformer	1
4.5	B evaporator output pipe ass'y	1	37.8	A Terminal Block	3
5	A evaporator output connection pipe ass'y	1	37.9	A Terminal Block	1
6	B evaporator output connection pipe ass'y	1	37.10	Wire joint	1
7	A evaporator input connection pipe ass'y	1	37.11	Surge suppresser	2
7.1	Strainer	1	38	Air duct ass'y	3
8	B evaporator input connection pipe ass'y	1	39	Electronic control box cover plate	1
8.1	Strainer	1	40	Compressor base	1
9	A compressor discharge pipe ass'y	1	41	Panel	1
9.1	Form fitting assemblies	1	42	Handle	4
9.2	Pressure controller	1	43	Motor bracket ass'y	2
10	A compressor return pipe ass'y	1	44	Front right upright pole ass'y II	1
10.1	Form fitting assemblies	1	45	Motor bracket I ass'y	1
10.2	Pressure controller	1	46	Pulley	1
10.3	Strainer	1	47	Sleeve	1
11	B compressor discharge pipe ass'y	1	48	Panel ass'y	1
11.1	Form fitting assemblies	1	49	Wheel	1
11.2	Pressure controller	1	50	Sleeve	1
12	B compressor return pipe ass'y	1	51	Motor bracket	1
12.1	Strainer	1	52	Rear left upright pole ass'y	1
12.2	Form fitting assemblies	1	53	Belt	1
12.3	Pressure controller	1	54	Motor	1
13	A condenser output pipe ass'y	1	55	Panel ass'y	1
14	B condenser output pipe ass'y	1	56	Motor support board ass'y	1
15	Outer partition board ass'y 2	1	57	Fan	1
16	Condenser ass'y	1	58	Air outlet deflector	1
16.1	Condenser	1	59	Air duct board ass'y	1
16.2	Condenser 1	1	60	Base ass'y	1
16.3	A condenser input pipe ass'y	1	61	Drainage pan ass'y	1
16.4	B condenser input pipe ass'y	1	62	Supporting ass'y	1

16.5	A condenser output pipe ass'y	1	63	Rear left upright pole ass'y	1
16.6	B condenser output pipe ass'y	1	64	Then water board assembly inside	1
17	Outside top cover board ass'y	1	65	Air filter	1
18	Grille	1	66	Components of the return air side of the flange II	1
19	Deflector	1	67	Air filter	1
20	Motor	1	68	Rear left upright pole ass'y	1
21	Fan	1	69	Side of the return air cover components	1
22	Air outlet clapboard ass'y	1	70	Inside panel ass'y I	1
23	Motor bracket	1	71	Cover plate ass'y	1
24	Rear-right supporting board II	1	72	Rear left upright pole ass'y	1
25	Air outlet flange ass'yII	1	73	Filter fixed supporting	1
26	Right rear supporting I	1	74	I return air side of flange components	1
27	Side of the outlet cover assembly	1	75	Evaporator under seal plate ass'y	1
28	Net II	1	76	Evaporator fixed supporting board ass'y IV	1
29	Side air flange kit	1	77	Evaporator fixed supporting board ass'y I	1
30	Net II	1	78	Evaporator fixed supporting board ass'y III	1
31	copeland compressor (with accessory)	1	79	Evaporator fixed supporting board ass'y II	1
32	Pipe support plate	1	80	Fire prevention board	1
33	Scroll Compressor	1	81	Wire controller	1
34	Press plate assy	1	82	Compressor wire joint ass'y	2
35	E-box support board	1	83	Wire	1
36	Front-right supporting board I	1			

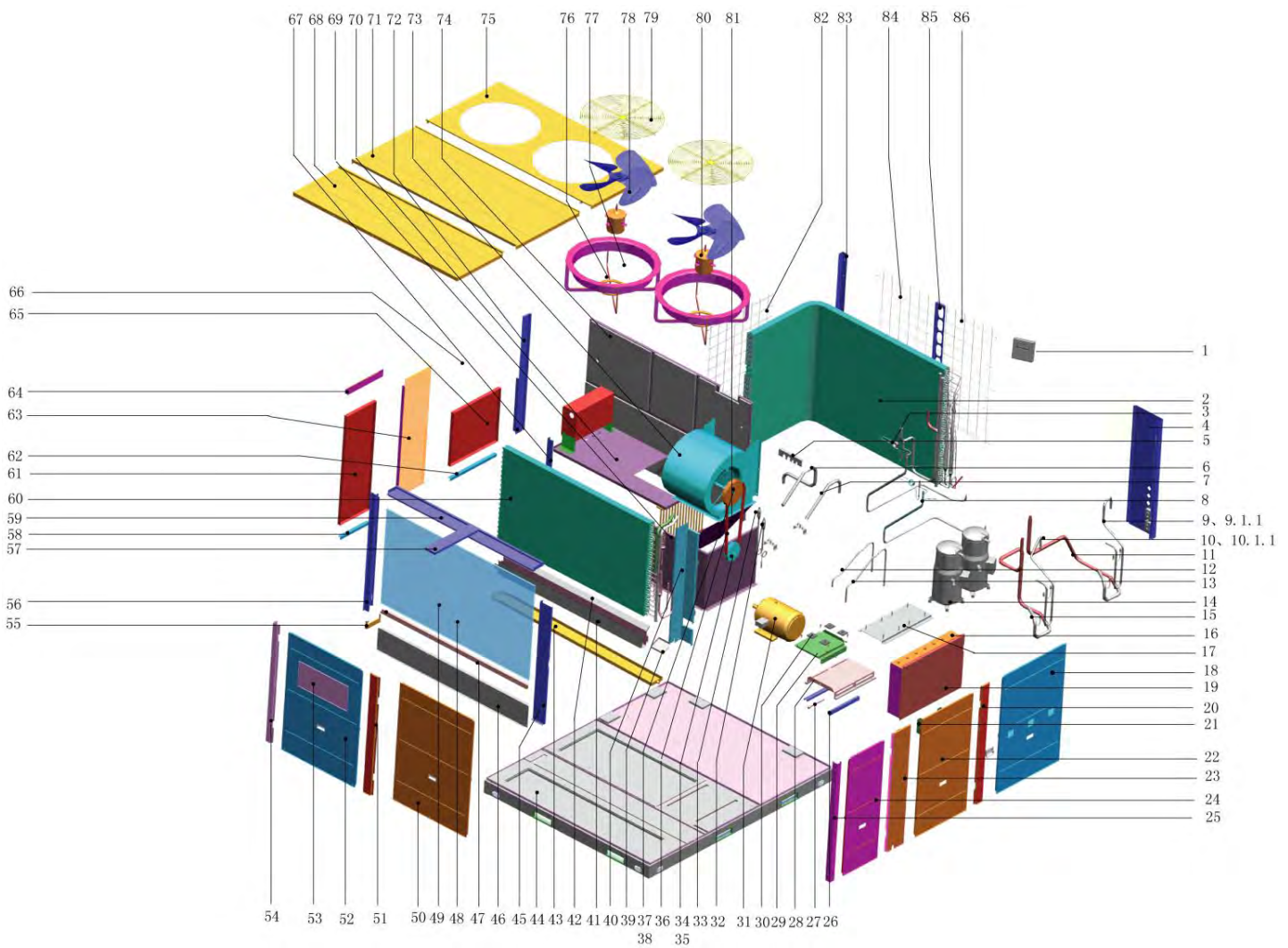
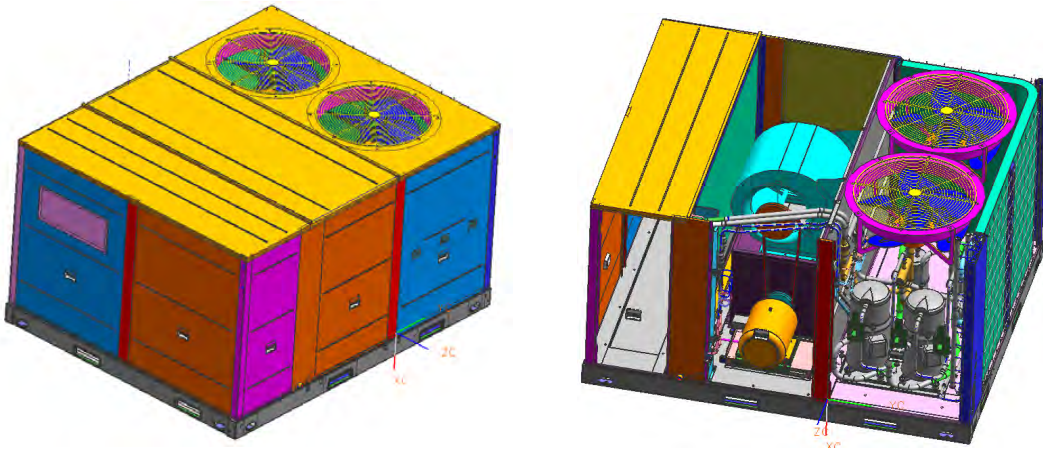
TME44T3

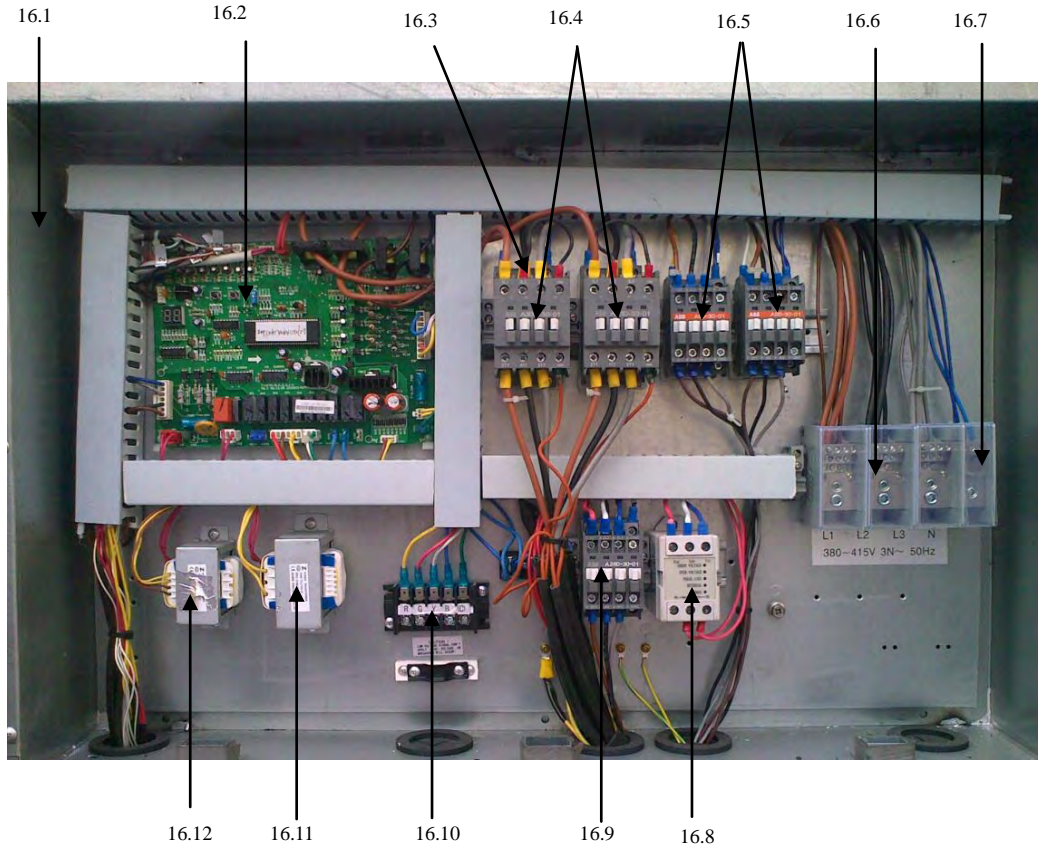


No.	Part Name	Qty	No.	Part Name	Qty
1	Inside top cover board ass'y	1	34	Welding pieces of the right anterior column I	1
2	Middle top cover ass'y	1	35	copeland compressor (with accessory)	1
3	Evaporator top seal plate ass'y	1	36	Compressor electric heater	1
4	Evaporator ass'y	1	37	Scroll Compressor	1
4.1	Evaporator	1	38	Compressor electric heater	1
4.2	A evaporator input pipe ass'y	1	39	E-part box ass'y	1
4.3	B evaporator input pipe ass'y	1	39.1	E-part box	1
4.4	A evaporator output pipe ass'y	1	39.2	Main control board ass'y	1
4.5	B evaporator output pipe ass'y	1	39.3	Contactator	1
5	A evaporator output connection pipe ass'y	1	39.4	Contactator	1
6	B evaporator output connection pipe ass'y	1	39.5	AC contactor	2
7	A evaporator input connection pipe ass'y	1	39.6	Transformer	1
7.1	One way valve	1	39.7	24V AC transformer	1
7.2	Strainer	1	39.8	A Terminal Block	3
8	B evaporator input connection pipe ass'y	1	39.9	A Terminal Block	1
8.1	One way valve	1	39.10	Wire joint	1
8.2	Strainer	1	39.11	Surge suppresser	2
9	4-way valve A	1	40	E-box support board	1
9.1	filter	1	41	Air duct ass'y	3
9.2	4-way valve	1	42	Electronic control box cover plate	1
9.3	4-Ways valve wire	1	43	Compressor base	1
9.4	A compressor exhaust pipe ass'y	1	44	Panel	1
9.4.1	Pressure controller	1	45	Handle	4
9.4.2	Form fitting assemblies	1	46	Motor bracket ass'y	2
10	A compressor return pipe ass'y	1	47	Front right upright pole ass'y II	1
10.1	Pressure controller	1	48	Motor bracket I ass'y	1
10.2	Form fitting assemblies	1	49	Panel ass'y	1
11	4-way valve B	1	50	Motor bracket	1
11.1	Strainer	1	51	Belt	1
11.2	4-way valve	1	52	Rear left upright pole ass'y	1
11.3	4-Ways valve wire	1	53	Pulley	1
11.4	B compressor exhaust pipe ass'y	1	54	Sleeve	1
11.4.1	Pressure controller	1	55	Panel ass'y	1
11.4.2	Form fitting assemblies	1	56	Wheel	1
12	B compressor return pipe ass'y	1	57	Sleeve	1
12.1	Form fitting assemblies	1	58	Fan	1
12.2	Pressure controller	1	59	Motor support board ass'y	1

No.	Part Name	Qty	No.	Part Name	Qty
13	A condenser output pipe ass'y	1	60	Motor	1
14	B condenser output pipe ass'y	1	61	Side air deflector	1
15	Outer partition board ass'y 2	1	62	Air duct board ass'y	1
16	Condenser ass'y	1	63	Base ass'y	1
16.1	Condenser	1	64	Drainage pan ass'y	1
16.2	Condenser 1	1	65	Supporting ass'y	1
16.3	A condenser input pipe ass'y	1	66	Rear left upright pole ass'y	1
16.4	B condenser input pipe ass'y	1	67	Then water board assembly inside	1
16.5	A condenser output pipe ass'y	1	68	Air filter	1
16.6	B condenser output pipe ass'y	1	69	Components of the return air side of the flange II	1
17	Outside top cover board ass'y	1	70	Air filter	1
18	Grille	1	71	Cover plate ass'y	1
19	Deflector	1	72	Inside panel ass'y I	1
20	Motor	1	73	Rear left upright pole ass'y	1
21	Fan	1	74	Side of the return air cover components	1
22	Air outlet clapboard ass'y	1	75	Rear left upright pole ass'y	1
23	Motor bracket	1	76	Filter fixed supporting	1
24	Rear right upright pole ass'y II	1	77	I return air side of flange components	1
25	Rear-right pole ass'y	1	78	Evaporator under seal plate ass'y	1
26	Side of the outlet cover assembly	1	79	Evaporator fixed supporting board ass'y IV	1
27	Net III	1	80	Evaporator fixed supporting board ass'y I	1
28	Side air flange kit	1	81	Evaporator fixed supporting board ass'y III	1
29	Net II	1	82	Evaporator fixed supporting board ass'y II	1
30	Pipe support plate	2	83	Wire controller	1
31	Gas-liquid separator	1	84	Compressor wire joint ass'y	2
32	Accumulator cylinder	1	85	Wire	1
33	Press plate ass'y	1			

9.7 15ton
TMC53T3

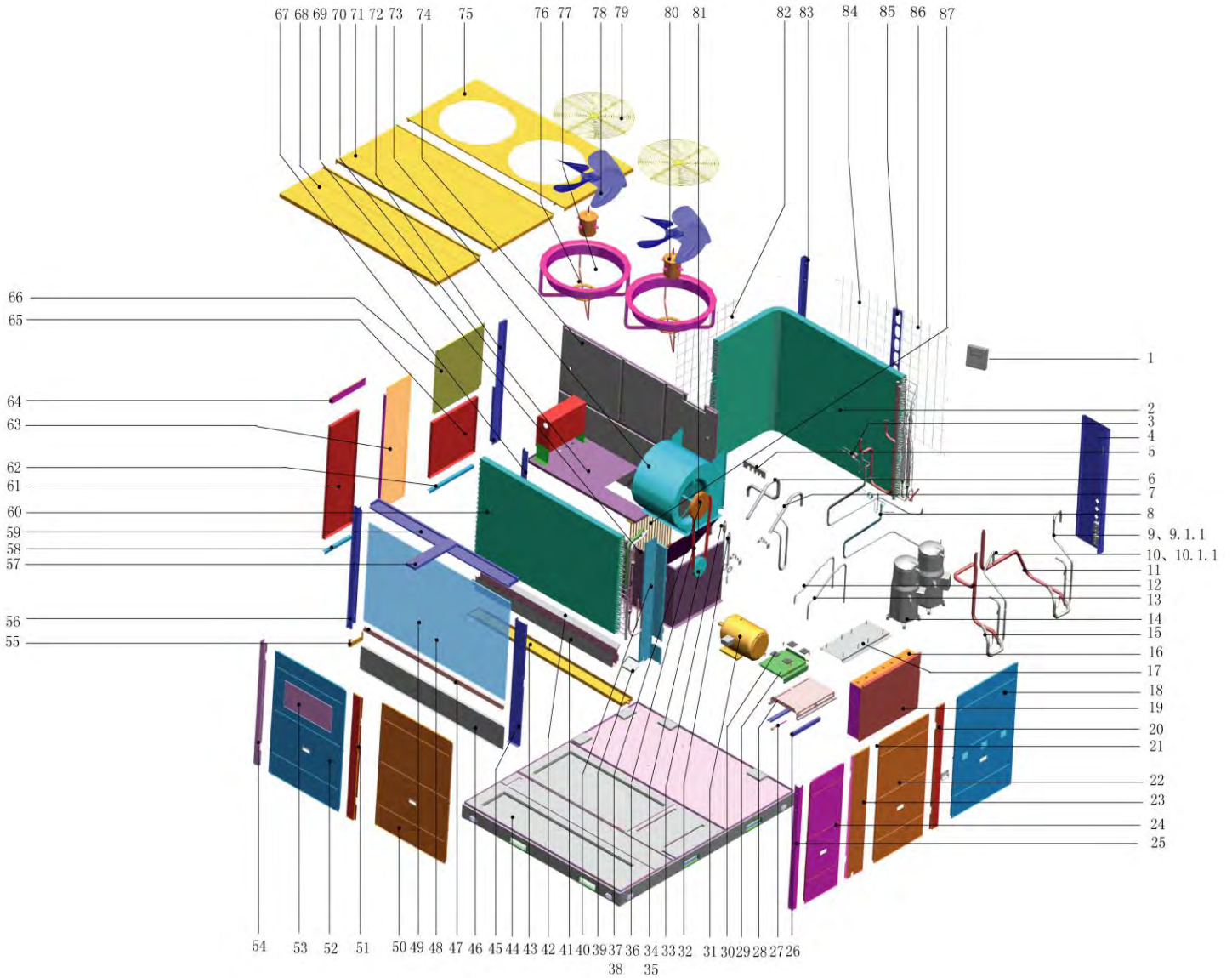
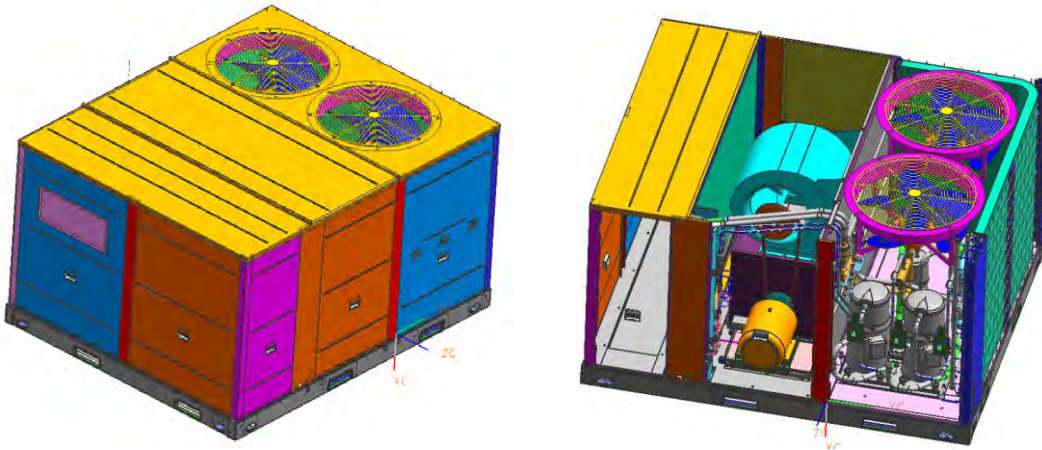


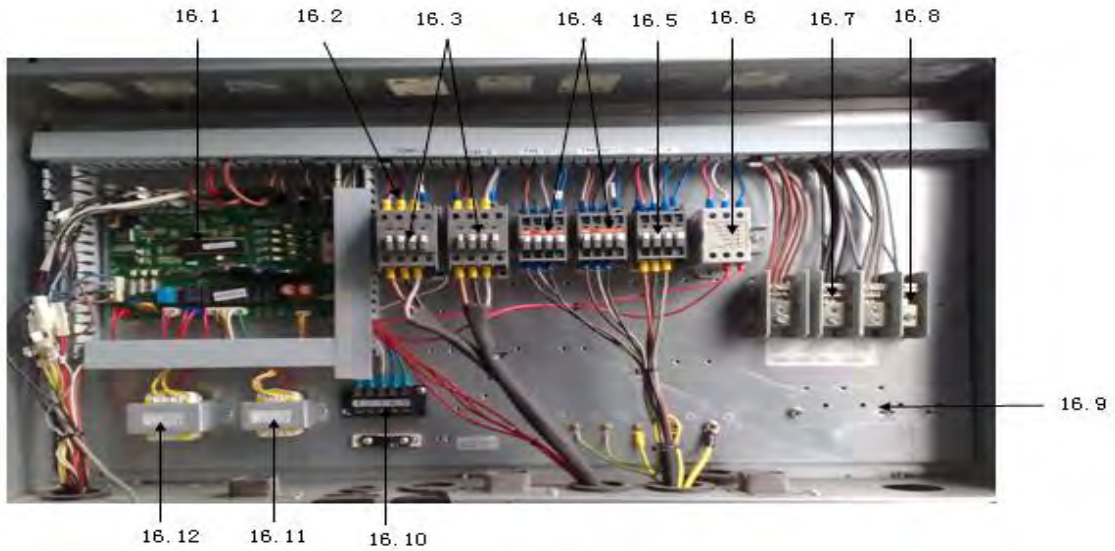


No.	Part Name	Qty	No.	Part Name	Qty
1	Wire controller	1	38	Taper casing	1
2	Evaporator parts	1	39	Then water board assembly inside	1
3	B-I component input tube	1	40	Evaporator fixing board ass'y IV	1
4	Welding pieces of the right anterior column I	1	41	Then water board 2 inside	1
5	Press plate assy	1	42	Then water board assembly 1 inside	1
6	B-1 components of low pressure pipe	1	43	Drainage pan ass'y	1
7	A low-pressure pipe 1 component machine	1	44	Chassis Parts	1
8	A machine component input tube I	1	45	Evaporator fixing board ass'y III	1
9	B Exhaust pipe assembly	1	46	Components under the seal plate evaporator	1
9.1	Pressure controller	1	47	I support the filter fixed	1
10	A local exhaust pipe components	1	48	Air Filter	1
10.1	Pressure controller	1	49	Air Filter	1
11	B machine back to the tube components	1	50	Panel ass'y	1
11.1	Pressure controller	1	51	pole ass'y	1
12	IV B component input tube machine	1	52	Panel ass'y	1
13	A machine component input tube IV	1	53	Cover plate ass'y	1
14	Compressor	2	54	Rear left upright pole ass'y	1
15	A machine back to the tube components	1	55	Supporting ass'y	1
15.1	Pressure controller	1	56	Evaporator fixing board ass'y II	1
16	Electrical control box parts roof	1	57	Inside of the roof support plate welding parts	1
16.1	E-part box	1	58	Components of the return air side of the flange II	1
16.2	Outdoor control board assembly	1	59	Components on the seal plate evaporator	1
16.3	Surge suppresser	5	60	Condenser components	1

16.4	AC contactor	2	61	Side of the return air cover components	1
16.5	Contactora	2	62	Side air flange kit	1
16.6	Wire joint	3	63	Rear left upright pole ass'y	1
16.7	Wire joint	1	64	I return air side of flange components	1
16.9	Contactora	1	65	Side of the outlet cover assembly	1
16.10	Wire joint	1	66	Air outlet clapboard ass'y	1
16.11	24V AC transformer	1	67	Evaporator fixing board ass'y I	1
16.12	Transformer	1	68	Components inside the top cover	1
17	Welding together pieces of the compressor base	1	69	Fan support plate welding parts II	1
18	Panel	1	70	I fan support plate assembly	1
19	Electronic control box cover plate	1	71	Top cover ass'y	1
20	Front right upright pole ass'y II	1	72	Rear right upright pole ass'y II	1
21	Duct	3	73	Fan	1
22	Panel ass'y	1	74	Outside the partition component	1
23	Rear left upright pole ass'y	1	75	Top cover board	1
24	Panel ass'y	1	76	Guider board	2
25	Rear left upright pole ass'y	1	77	Motor fixed holder	2
26	Motor bracket ass'y	2	78	Fan blade	2
27	Screw	1	79	Net	2
28	Motor bracket I ass'y	1	80	Motor	2
29	Motor bracket	1	81	Side air deflector	1
30	Motor vibration pad	4	82	Net III	1
34	Pulley	1	83	Rear-right pole ass'y	1
35	Sleeve	1	84	Net II	1
36	Belt	2	85	Pole ass'y	1
37	Pulley	1	86	Net I	1

TME53T3

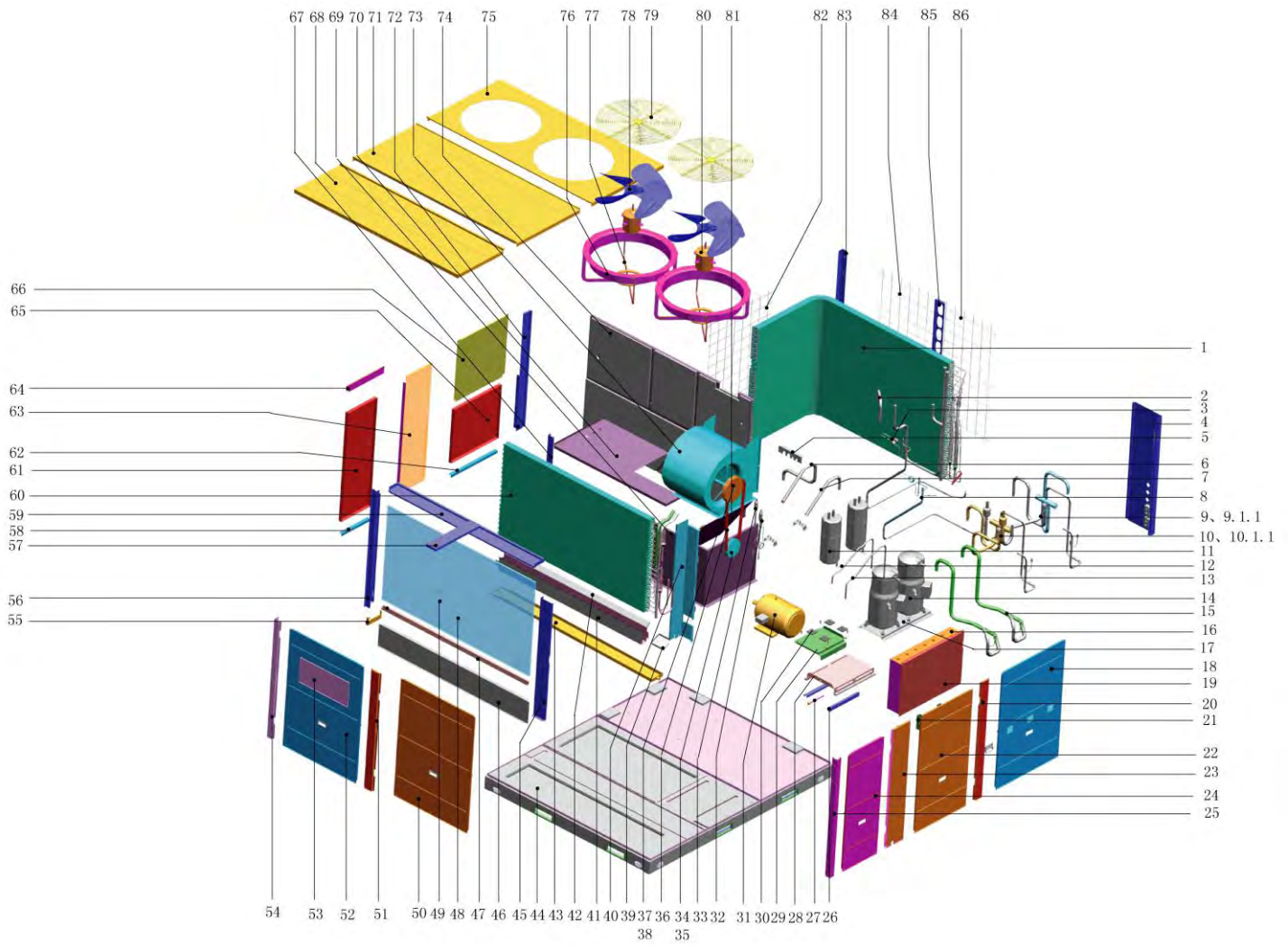
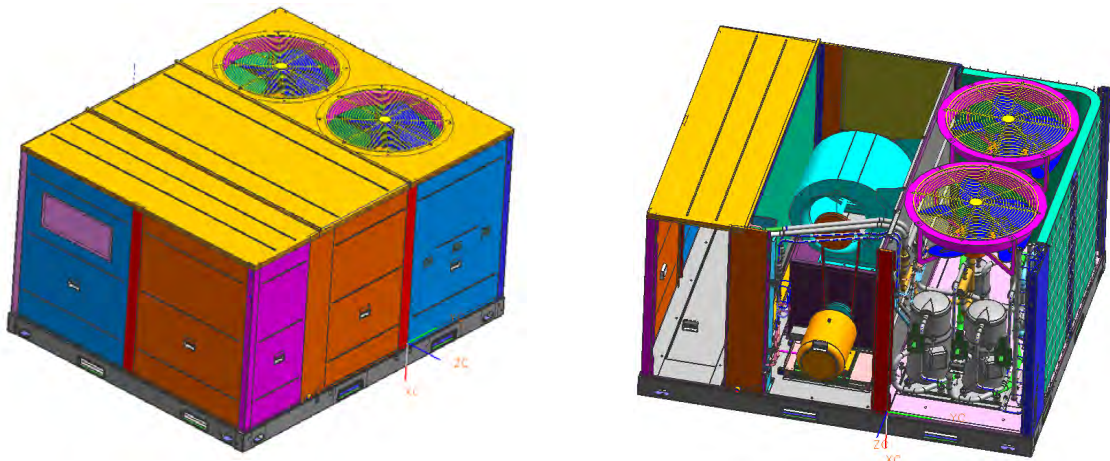


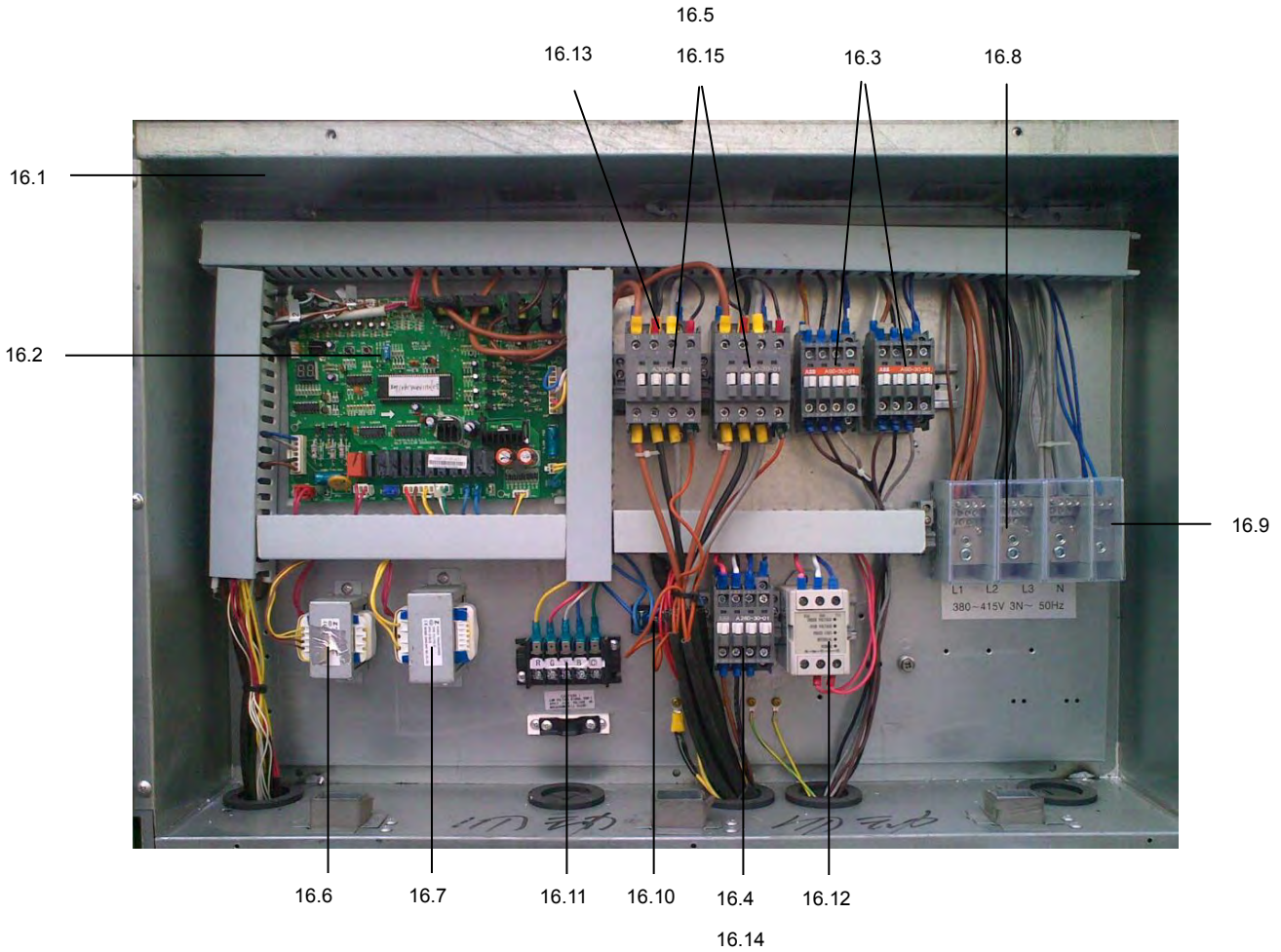


No.	Part Name	Qty	No.	Part Name	Qty
1	Wire controller	1	40	Evaporator fixing board ass'y IV	1
2	Evaporator parts	1	41	Then water board 2 inside	1
3	B-I component input tube	1	42	Then water board assembly 1 inside	1
4	Welding pieces of the right anterior column I	1	43	Drainage pan ass'y	1
5	Press plate assy	1	44	Chassis Parts	1
6	B-1 components of low pressure pipe	1	45	Evaporator fixing board ass'y III	1
7	A low-pressure pipe 1 component machine	1	46	Components under the seal plate evaporator	1
8	A machine component input tube I	1	47	I support the filter fixed	1
9	B Exhaust pipe assembly	1	48	Air Filter	1
9.1	Pressure controller	1	49	Air Filter	1
10	A local exhaust pipe components	1	50	Panel ass'y	1
10.1	Pressure controller	1	51	pole ass'y	1
11	B machine back to the tube components	1	52	Panel ass'y	1
12	IV B component input tube machine	1	53	Cover plate ass'y	1
13	A machine component input tube IV	1	54	Rear left upright pole ass'y	1
14	Compressor	2	55	Supporting ass'y	1
15	A machine back to the tube components	1	56	Evaporator fixing board ass'y II	1
16	Electrical control box parts roof	1	57	Inside of the roof support plate welding parts	1
16.1	Outdoor control board assembly	1	58	Components of the return air side of the flange II	1
16.2	Surge suppresser	5	59	Components on the seal plate evaporator	1

16.3	AC contactor	2	60	Condenser components	1
16.4	Contactora	2	61	Side of the return air cover components	1
16.5	Contactora	1	62	Side air flange kit	1
16.7	Wire joint	3	63	Rear left upright pole ass'y	1
16.8	Wire joint	1	64	I return air side of flange components	1
16.9	E-part box	1	65	Side of the outlet cover assembly	1
16.10	Wire joint	1	67	Evaporator fixing board ass'y I	1
16.11	Transformer	1	68	Components inside the top cover	1
16.12	24V AC transformer	1	69	I fan support plate assembly	1
17	Welding together pieces of the compressor base	1	70	Fan support plate welding parts II	1
18	Panel	1	71	Top cover ass'y	1
19	Electronic control box cover plate	1	72	Part II right after the column	1
20	Front right upright pole ass'y II	1	73	Fan	1
21	Duct	3	74	Outside the partition component	1
22	Panel ass'y	1	75	Top cover board	1
23	Rear left upright pole ass'y	1	76	Guider board	2
24	Panel ass'y	1	77	Motor fixed holder	2
25	Rear left upright pole ass'y	1	78	Fan blade	2
26	Motor bracket ass'y	2	79	Net	2
27	Screw	1	80	Motor	2
28	Motor bracket I ass'y	1	81	Side air deflector	1
29	Motor bracket	1	82	Net III	1
30	Motor vibration pad	4	83	Rear-right pole ass'y	1
31	Three-phase asynchronous motor	1	84	Net II	1
32	B-capillary components	1	85	Pole ass'y	1
33	A unit capillary component	1	86	Net I	1
34	Pulley	1	87	Electric heater ass'y	1
35	Sleeve	1	88	Thermoelectric power auxiliary control box components	1
36	Belt	2	88.1	E-part box	1
37	Pulley	1	88.2	Contactora	3
38	Taper casing	1	88.3	Wire joint	1
39	Then water board assembly inside	1	88.4	Wire joint	1

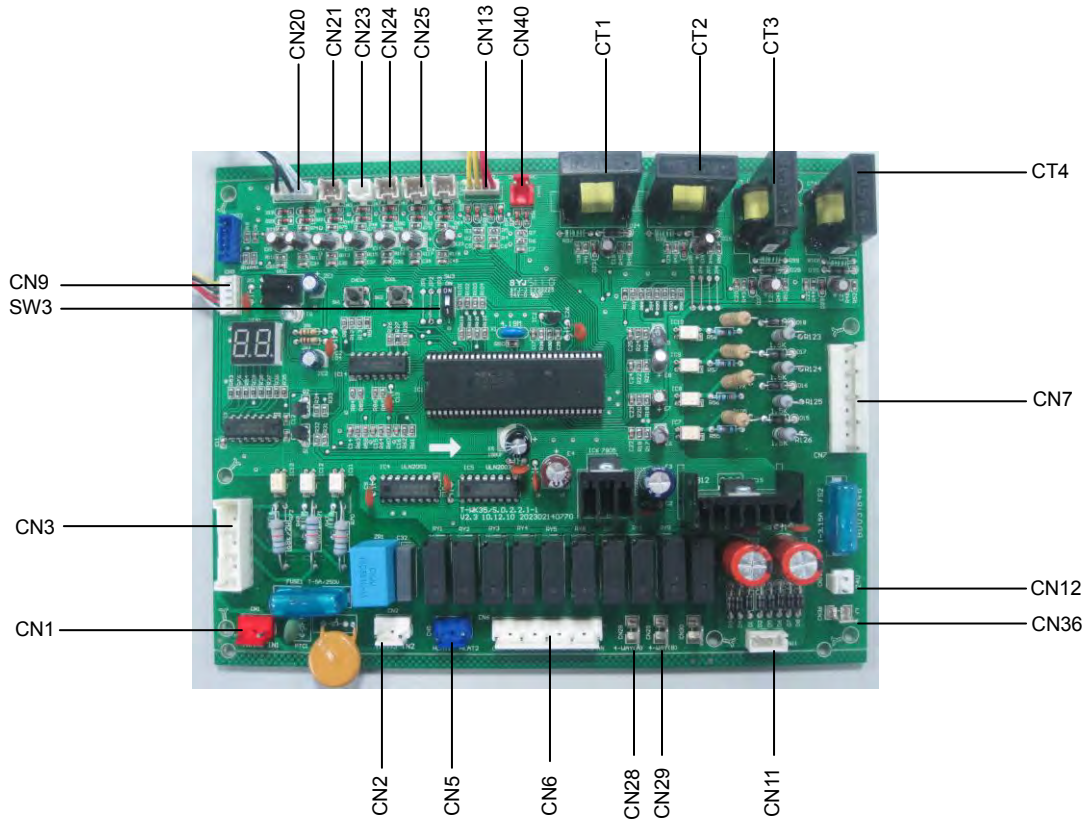
TMH53T3





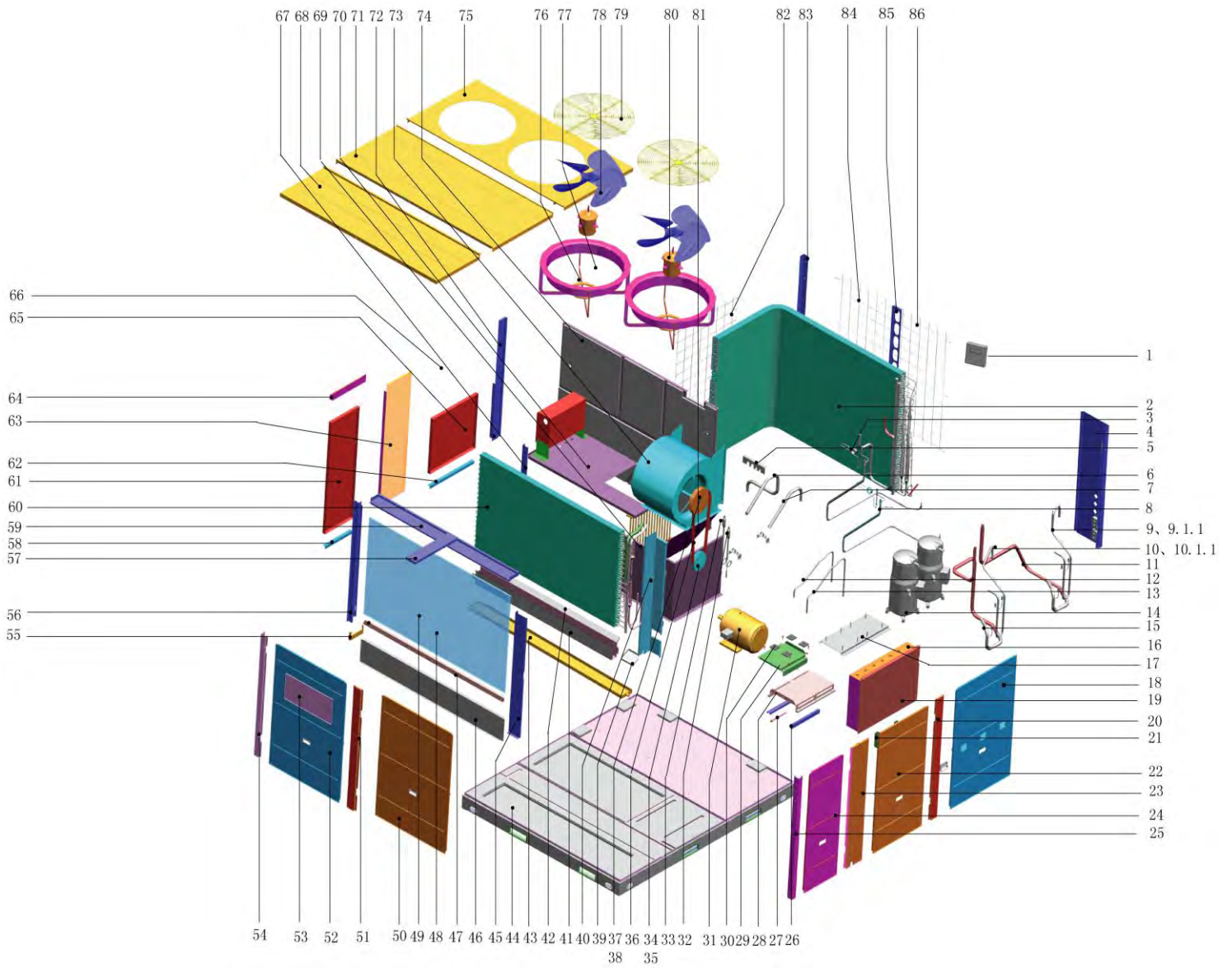
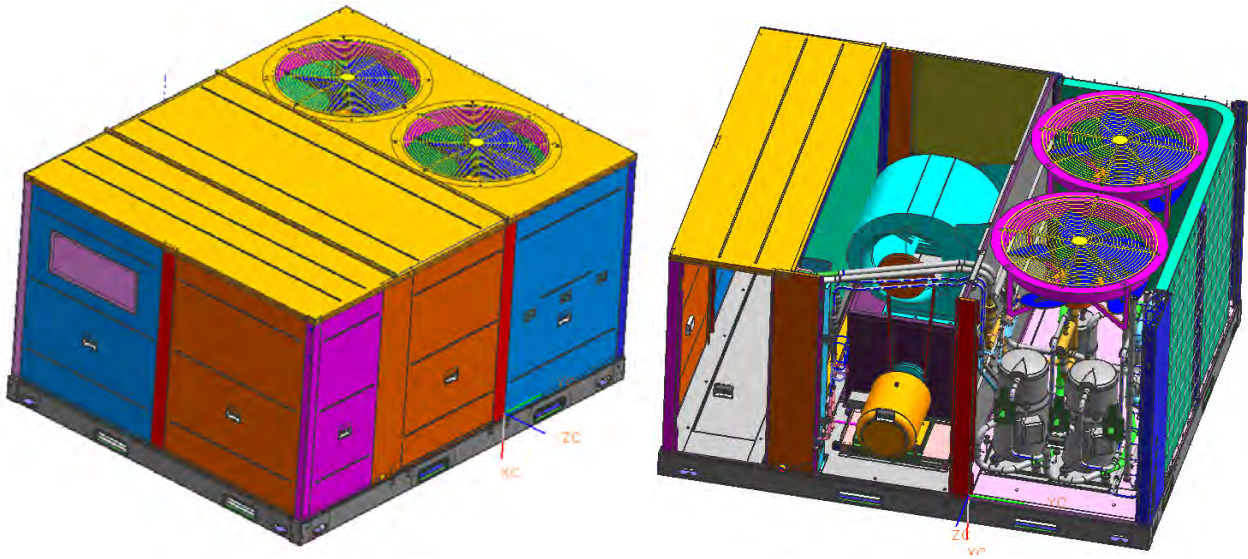
No.	Part Name	Qty	No	Part Name	Qty
1	Condenser components	1	35	Sleeve	1
2	A condenser over	1	36	Belt	2
3	B-I component input tube	1	37	Pulley	1
4	Welding pieces of the right anterior column I	1	38	Taper casing	1
5	Press plate assy	1	39	Then water board assembly inside	1
6	B-1 components of low pressure pipe	1	40	Evaporator fixing board ass'y IV	1
7	A low-pressure pipe 1 component machine	1	41	Then water board 2 inside	1
8	A machine component input tube I	1	42	Then water board assembly 1 inside	1
9	B-way valve parts	1	43	Drainage pan ass'y	1
9.1	A local exhaust pipe components	1	44	Chassis Parts	1
9.1.1	Pressure controller	1	45	Evaporator fixing board ass'y III	1
10	A four-way valve parts machine	1	46	Components under the seal plate evaporator	1
10.1	A local exhaust pipe components	1	47	I support the filter fixed	1
11	Gas-liquid separator	2	48	Air Filter	1
12	IV B component input tube machine	1	49	Air Filter	1
13	A machine component input tube IV	1	50	Panel ass'y	1
14	Compressor	2	51	pole ass'y	1
15	A machine back to the tube components	2	52	Panel ass'y	1
16	Electrical control box parts roof	1	53	Cover plate ass'y	1
16.1	E-part box	1	54	Rear left upright pole ass'y	1
16.2	Outdoor control board assembly	1	55	Supporting ass'y	1
16.3	Contactor	2	56	Evaporator fixing board ass'y II	1

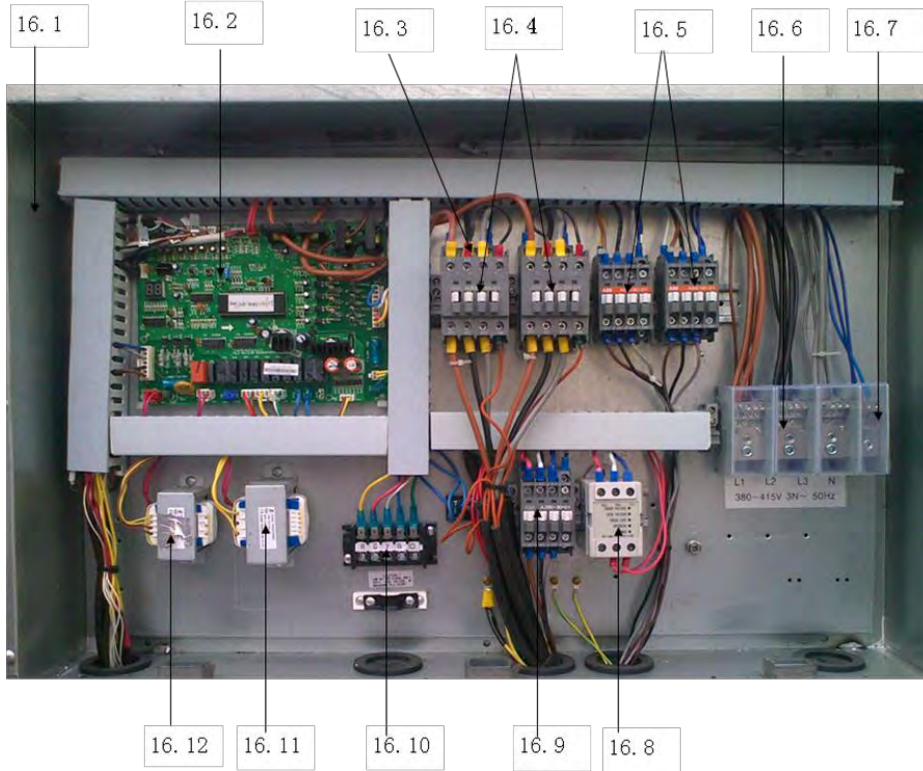
16.4	Contactora	1	57	Cover supporter	1
16.5	AC contactora	2	58	Components of the return air side of the flange II	1
16.6	Transformer	1	59	Components on the seal plate evaporator	1
16.7	24V AC transformer	1	60	Evaporator parts	1
16.8	Wire joint	3	61	Side of the return air cover components	1
16.9	Wire joint	1	62	Side air flange kit	1
16.10	Wire joint	1	63	Rear left upright pole ass'y	1
16.11	Wire joint	1	64	I return air side of flange components	1
16.13	Surge suppresser	5	65	Side of the outlet cover assembly	1
16.14	Contacts within the fan cable group 2	1	66	Air outlet clapboard ass'y	1
16.15	Wire joint ass'y	2	67	Evaporator fixing board ass'y I	1
17	Welding together pieces of the compressor base	1	68	Components inside the top cover	1
18	Panel	1	69	Fan support plate welding parts II	1
19	Electronic control box cover plate	1	70	I fan support plate assembly	1
20	Front right upright pole ass'y II	1	71	Top cover ass'y	1
21	Duct	3	72	Rear right upright pole ass'y II	1
22	Panel ass'y	1	73	Fan	1
23	Rear left upright pole ass'y	1	74	Outside the partition component	1
24	Panel ass'y	1	75	Top cover board	1
25	Rear left upright pole ass'y	1	76	Guider board	2
26	Motor bracket ass'y	2	77	Motor fixed holder	2
27	Screw	1	78	Fan blade	2
28	Motor bracket I ass'y	1	79	Net	2
29	Motor bracket	1	80	Motor	2
30	Motor vibration pad	4	81	Side air deflector	1
31	Motor	1	82	Net III	1
32	A unit capillary component	1	83	Rear-right pole ass'y	1
33	B-capillary components	1	84	Net II	1
34	Pulley	1	85	Pole ass'y	1
			86	Net I	1



CODE	TITLE	CODE	TITLE	CODE	TITLE
CN1	Transformer	CN12	Transformer	CN25	Indoor pipe temp. sensor
CN2	Transformer	CN7	To the wire controller	CN24	Indoor pipe temp. sensor
CN5	Electric heater	CT4	Current indicator	CN23	Indoor room temp. sensor
CN6	Compressor, outdoor & indoor fan motor power supply	CT3	Current indicator	CN21	Pipe temp. sensor of unit AB
CN28	4-way terminal(A)	CT2	Current indicator	CN20	Outdoor temp. sensor
CN29	4-way terminal (B)	CT1	Current indicator	CN9	To be connected wired controller KJR-12B
CN11	Transformer	CN40	Outdoor fan motor protection switch	SW3	Wired controller set up switch
CN36	To the wired controller	CN13	High & low pressure switch Temp protection switch	CN3	Power supply

9.8 17.5 TON
TMC62T3

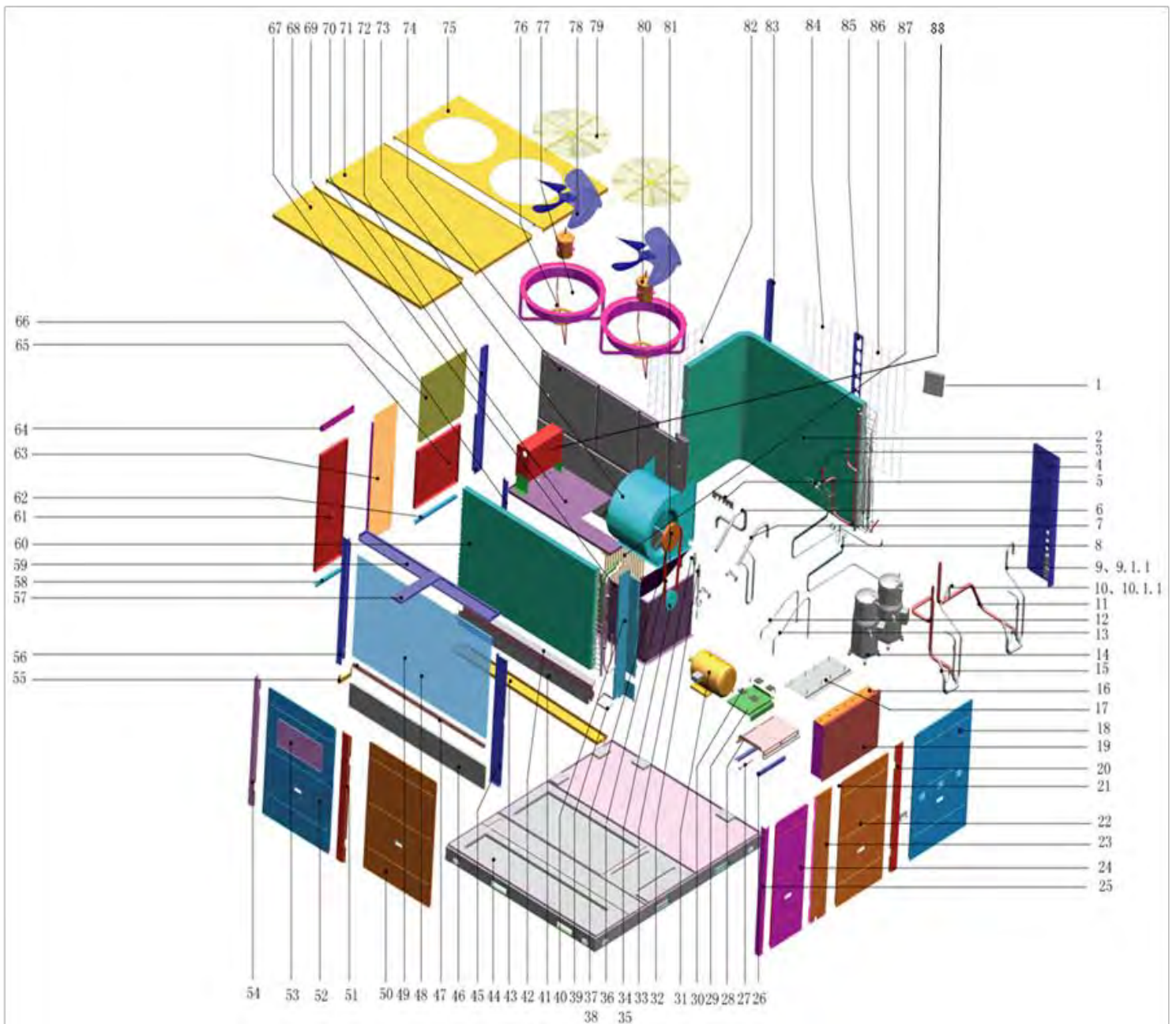
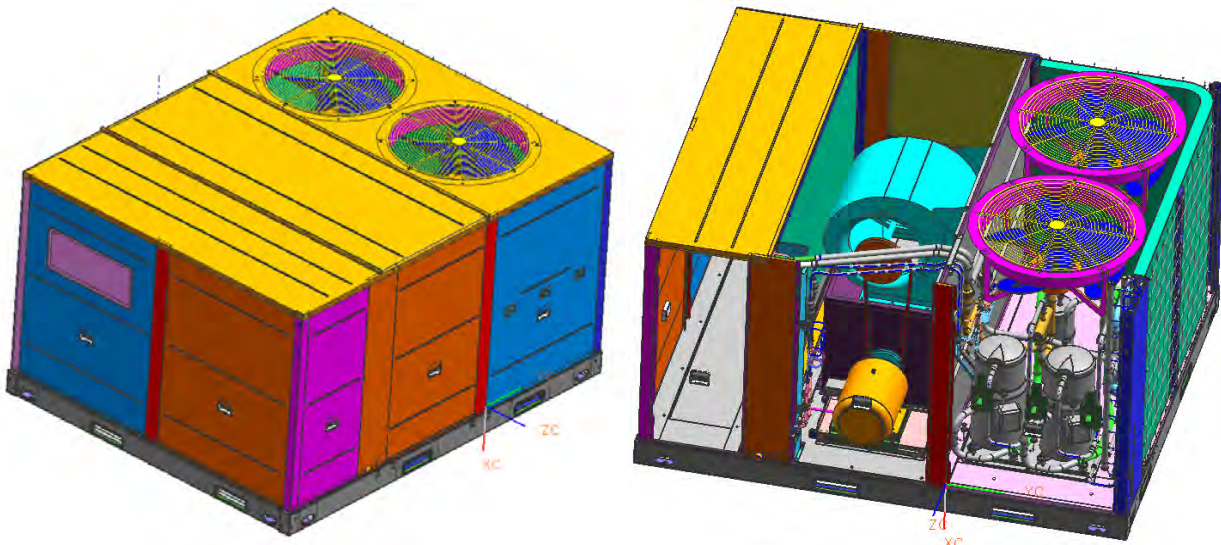


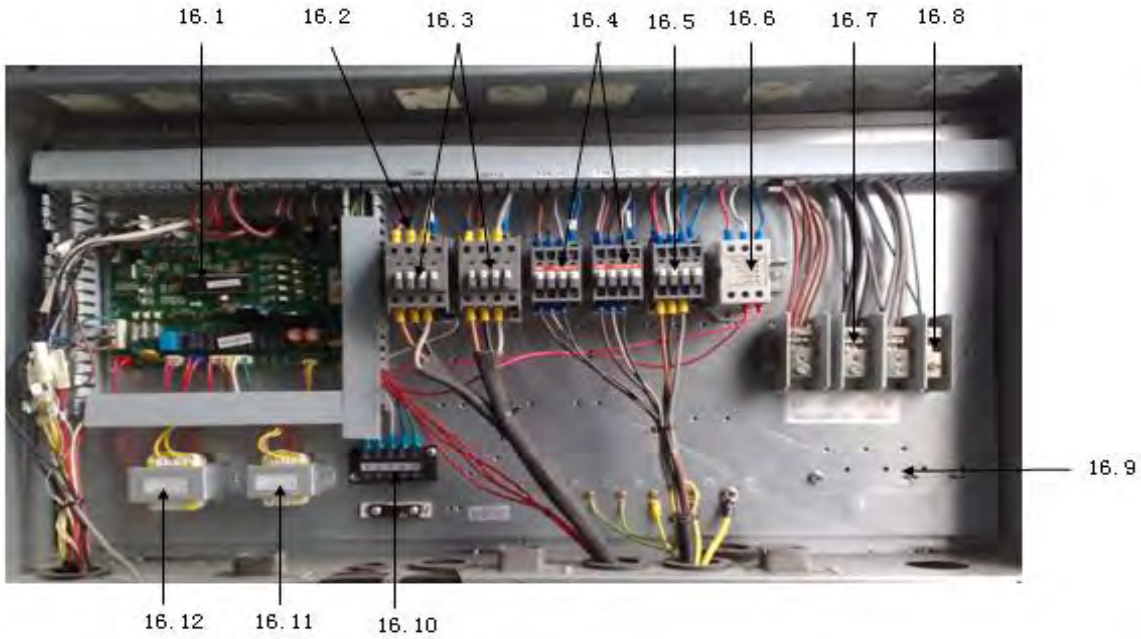


No.	Part Name	Qty	No	Part Name	Qty
1	Wire controller	1	36	Pulley	1
2	Condenser components	1	37	Belt	2
3	B-I component input tube	1	38	Taper casing	1
4	Welding pieces of the right anterior column I	1	39	Then water board assembly inside	1
5	Press plate assy	1	40	Evaporator fixing board ass'y IV	1
6	B-1 components of low pressure pipe	1	41	Then water board 2 inside	1
7	A low-pressure pipe 1 component machine	1	42	Then water board assembly 1 inside	1
8	A machine component input tube I	1	43	Drainage pan ass'y	1
9	B unit discharge pipe ass'y	1	44	Chassis Parts	1
9.1	Pressure controller	1	45	Evaporator fixing board ass'y III	1
10	A unit discharge pipe ass'y	1	46	Components under the seal plate evaporator	1
10.1	Pressure controller	1	47	I support the filter fixed	1
11	B machine back to the tube components	1	48	Air Filter	1
11.1	Pressure controller	1	49	Air Filter	1
12	IV B component input tube machine	1	50	Panel ass'y	1
13	A machine component input tube IV	1	51	pole ass'y	1
14	Compressor	2	52	Panel ass'y	1
15	A machine back to the tube components	1	53	Cover plate ass'y	1
15.1	Pressure controller	1	54	Rear left upright pole ass'y	1
16	Rooftop electrical box parts	1	55	Supporting ass'y	1
16.1	E-part box	1	56	Evaporator fixing board ass'y II	1
16.2	Outdoor main board ass'y	1	57	Inside of the roof support plate welding parts	1
16.3	Surge suppresser	5	58	Components of the return air side of the flange II	1
16.4	AC contactor	2	59	Components on the seal plate evaporator	1
16.5	Contactor	2	60	Evaporator parts	1

16.6	Wire joint	3	61	Side of the return air cover components	1
16.7	Wire joint	1	62	Side air flange kit	1
16.9	Contactora	1	63	Rear left upright pole ass'y	1
16.10	Wire joint	1	64	I return air side of flange components	1
16.11	24V AC transformer	1	65	Side of the outlet cover assembly	1
16.12	Transformer	1	66	Air outlet clapboard ass'y	1
17	Welding together pieces of the compressor base	1	67	Evaporator fixing board ass'y I	1
18	Panel	1	68	Components inside the top cover	1
19	Electronic control box cover plate	1	69	Fan support plate welding parts II	1
20	Front right upright pole ass'y II	1	70	I fan support plate assembly	1
21	Duct	3	71	Top cover ass'y	1
22	Panel ass'y	1	72	Rear right upright pole ass'y II	1
23	Rear left upright pole ass'y	1	73	Fan	1
24	Panel ass'y	1	74	Outside the partition component	1
25	Rear left upright pole ass'y	1	75	Outside top cover welding part	1
26	Motor bracket ass'y	2	76	Deflector	2
27	Screw	1	77	Motor bracket	2
28	Motor bracket I ass'y	1	78	Fan	2
29	Motor bracket	1	79	Grille	2
30	Motor vibration pad	4	80	Motor	2
31	Three-phase asynchronous motor	1	81	Side air deflector	1
32	B unit capillary ass'y	1	82	Net III	1
33	A unit capillary ass'y	1	83	Rear-right pole ass'y	1
34	Pulley	1	84	Net II	1
35	Sleeve	1	85	Pole ass'y	1
			86	Net I	1

TME62T3

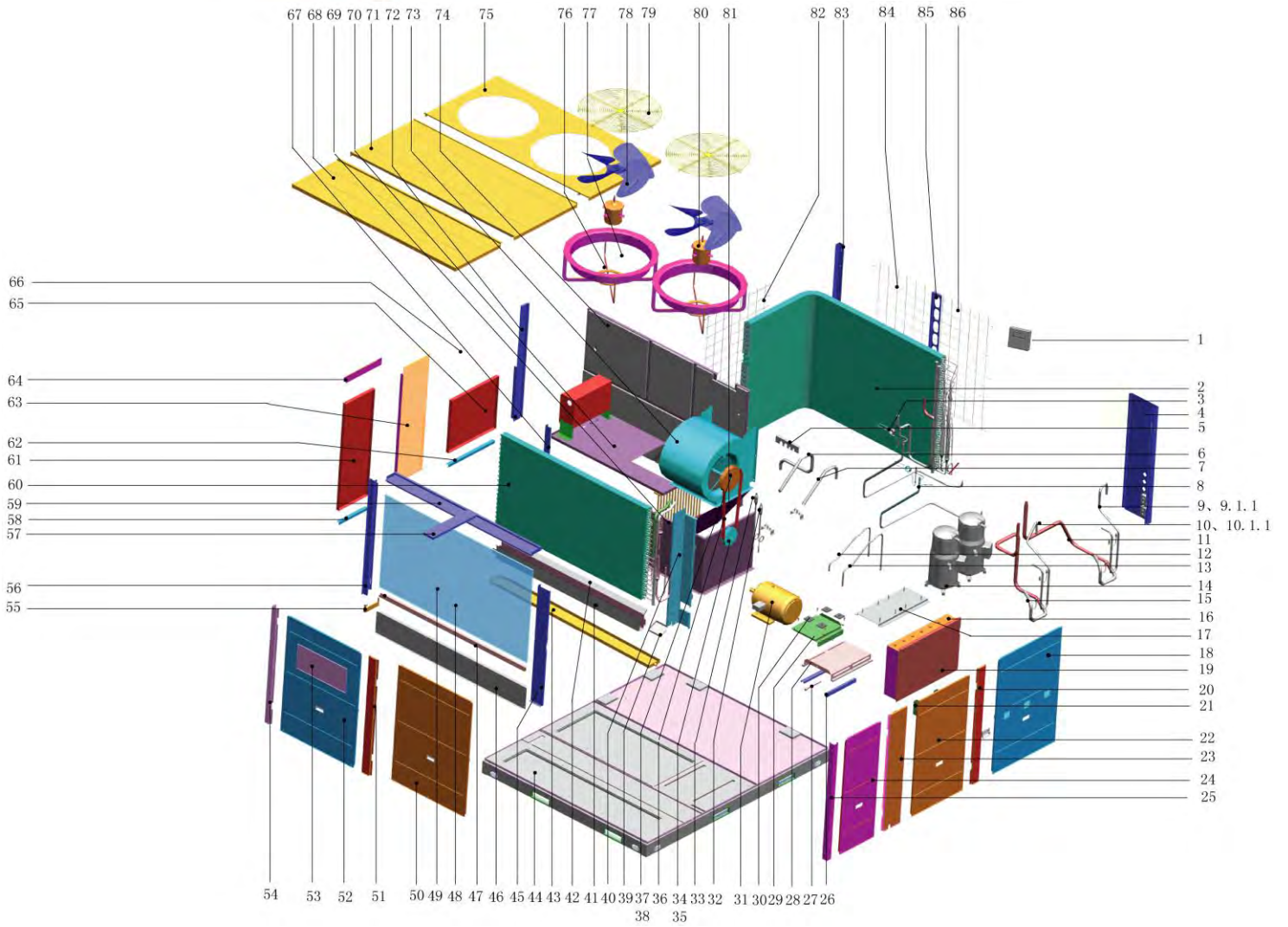
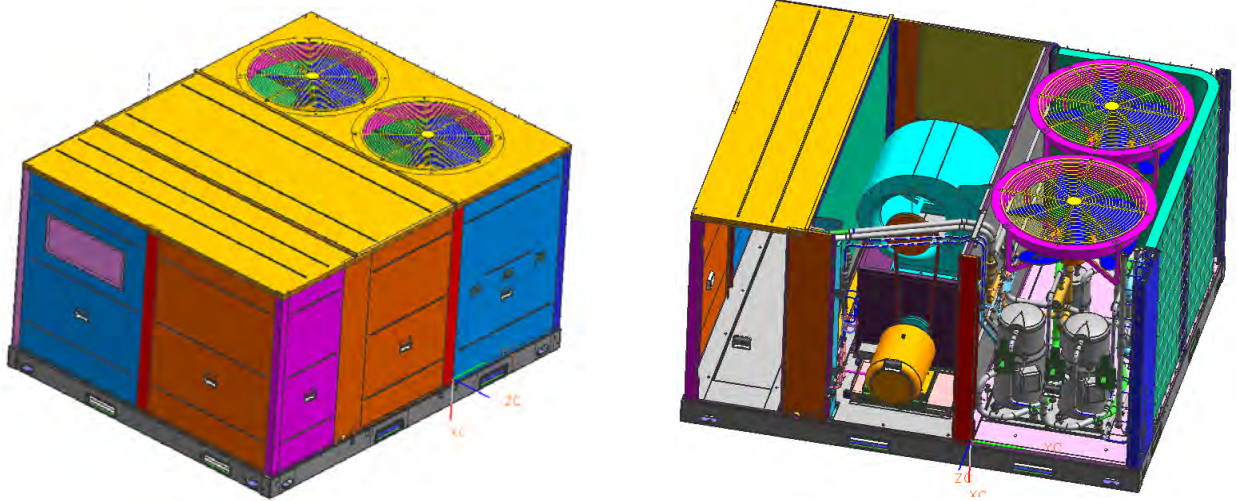


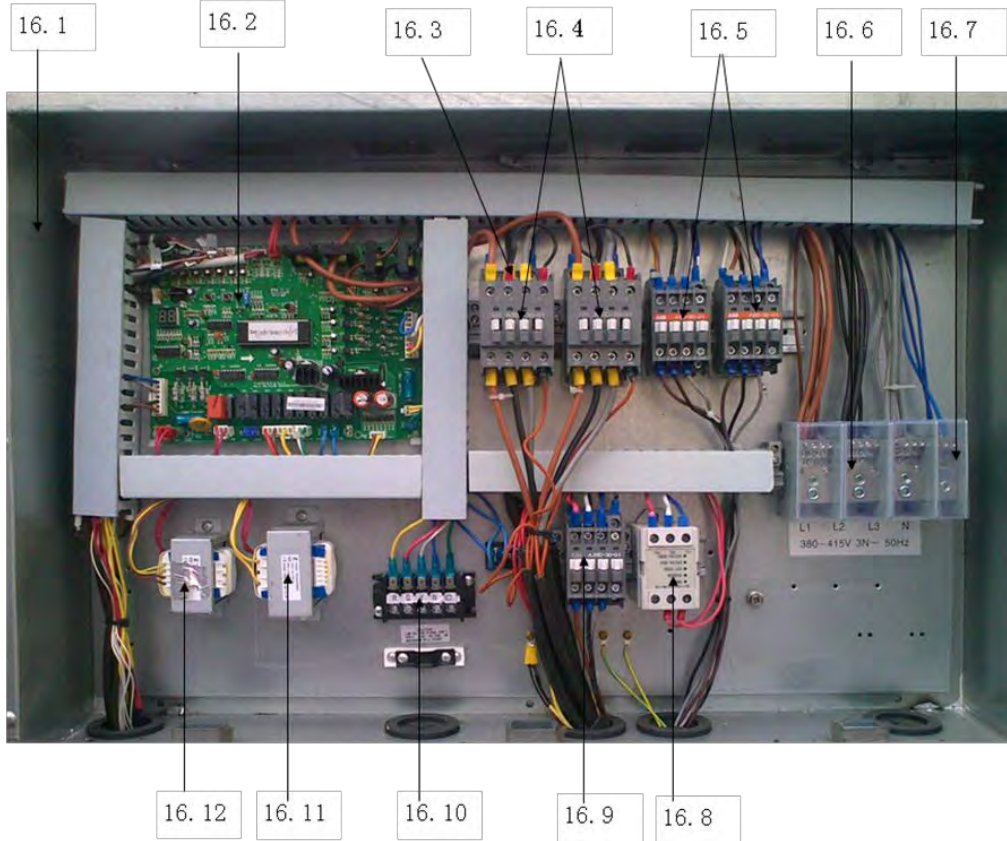


No.	Part Name	Qty	No.	Part Name	Qty
1	Wire controller	1	40	Evaporator fixing board ass'y IV	1
2	Evaporator parts	1	41	Then water board 2 inside	1
3	B-I component input tube	1	42	Then water board assembly 1 inside	1
4	Welding pieces of the right anterior column I	1	43	Drainage pan ass'y	1
5	Press plate ass'y	1	44	Chassis Parts	1
6	B-1 components of low pressure pipe	1	45	Evaporator fixing board ass'y III	1
7	A low-pressure pipe 1 component machine	1	46	Components under the seal plate evaporator	1
8	A machine component input tube I	1	47	I support the filter fixed	1
9	B unit discharge pipe ass'y	1	48	Air Filter	1
9.1	Pressure controller	1	49	Air Filter	1
10	A unit discharge pipe ass'y	1	50	Panel ass'y	1
10.1	Pressure controller	1	51	pole ass'y	1
11	B machine back to the tube components	1	52	Panel ass'y	1
12	IV B component input tube machine	1	53	Cover plate ass'y	1
13	A machine component input tube IV	1	54	Rear left upright pole ass'y	1
14	Compressor	2	55	Supporting ass'y	1
15	A machine back to the tube components	1	56	Evaporator fixing board ass'y II	1
16	Rooftop electrical box parts	1	57	Inside of the roof support plate welding parts	1

16.1	Outdoor main board ass'y	1	58	Components of the return air side of the flange II	1
16.2	Surge suppresser	5	59	Components on the seal plate evaporator	1
16.3	AC contactor	2	60	Condenser components	1
16.4	Contactora	2	61	Side of the return air cover components	1
16.5	Contactora	1	62	Side air flange kit	1
16.7	Wire joint	3	63	Rear left upright pole ass'y	1
16.8	Wire joint	1	64	I return air side of flange components	1
16.9	E-part box	1	65	Side of the outlet cover assembly	1
16.10	Wire joint	1	67	Evaporator fixing board ass'y I	1
16.11	Transformer	1	68	Components inside the top cover	1
16.12	24V AC transformer	1	69	I fan support plate assembly	1
17	Welding together pieces of the compressor base	1	70	Fan support plate welding parts II	1
18	Panel	1	71	Top cover ass'y	1
19	Electronic control box cover plate	1	72	Part II right after the column	1
20	Front right upright pole ass'y II	1	73	Fan	1
21	Duct	3	74	Outside the partition component	1
22	Panel ass'y	1	75	Outside top cover welding part	1
23	Rear left upright pole ass'y	1	76	Deflector	2
24	Panel ass'y	1	77	Motor bracket	2
25	Rear left upright pole ass'y	1	78	Fan	2
26	Motor bracket ass'y	2	79	Grille	2
27	Screw	1	80	Motor	2
28	Motor bracket I ass'y	1	81	Side air deflector	1
29	Motor bracket	1	82	Net III	1
30	Motor vibration pad	4	83	Rear-right pole ass'y	1
31	Three-phase asynchronous motor	1	84	Net II	1
32	B unit capillary ass'y	1	85	Pole ass'y	1
33	A unit capillary ass'y	1	86	Net I	1
34	Pulley	1	87	Electric heater ass'y	1
35	Sleeve	1	88	Thermoelectric power auxiliary control box components	1
36	Pulley	1	88.1	E-part box	1
37	Belt	2	88.2	Contactora	3
38	Taper casing	1	88.3	Wire joint	1
39	Then water board assembly inside	1	88.4	Wire joint	1

TMH62T3



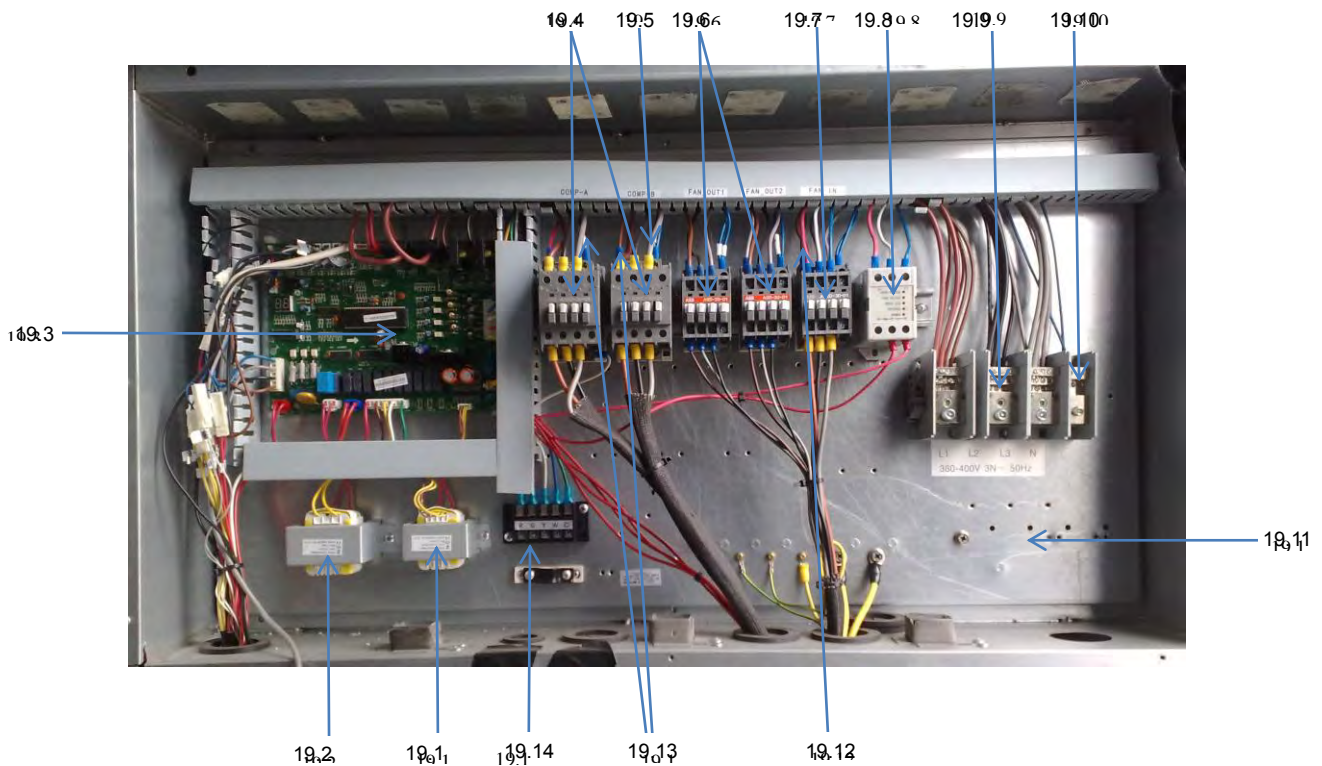


No.	Part Name	Qty	No.	Part Name	Qty
1	Wire controller	1	38	Taper casing	1
2	Condenser components	1	39	Then water board assembly inside	1
3	B-I component input tube	1	40	Evaporator fixing board ass'y IV	1
4	Welding pieces of the right anterior column I	1	41	Then water board 2 inside	1
5	Press plate ass'y	1	42	Then water board assembly 1 inside	1
6	B-1 components of low pressure pipe	1	43	Drainage pan ass'y	1
7	A low-pressure pipe 1 component machine	1	44	Chassis Parts	1
8	A machine component input tube I	1	45	Evaporator fixing board ass'y III	1
9	B-way valve parts	1	46	Components under the seal plate evaporator	1
9.1	A local exhaust pipe components	1	47	I support the filter fixed	1
10	A four-way valve parts machine	1	48	Air Filter	1
10.1	A local exhaust pipe components	1	49	Air Filter	1
11	Gas-liquid separator	2	50	Panel ass'y	1
12	IV B component input tube machine	1	51	pole ass'y	1
13	A machine component input tube IV	1	52	Panel ass'y	1
14	Compressor	2	53	Cover plate ass'y	1
15	A machine back to the tube components	2	54	Rear left upright pole ass'y	1
16	Rooftop electrical box parts	1	55	Supporting ass'y	1
16.1	E-part box	1	56	Evaporator fixing board ass'y II	1
16.2	Outdoor main board ass'y	1	57	Inside of the roof support plate welding parts	1
16.3	Surge suppresser	5	58	Components of the return air side of the flange II	1
16.4	AC contactor	2	59	Components on the seal plate evaporator	1
16.5	Contactor	2	60	Evaporator parts	1
16.6	Wire joint	3	61	Side of the return air cover components	1
16.7	Wire joint	1	62	Side air flange kit	1

16.9	Contactora	1	63	Rear left upright pole ass'y	1
16.10	Wire joint	1			
16.11	24V AC transformer	1	64	I return air side of flange components	1
16.12	Transformer	1	65	Side of the outlet cover assembly	1
17	Welding together pieces of the compressor base	1	66	Air outlet clapboard ass'y	1
18	Panel	1	67	Evaporator fixing board ass'y I	1
19	Electronic control box cover plate	1	68	Components inside the top cover	1
20	Front right upright pole ass'y II	1	69	Fan support plate welding parts II	1
21	Duct	3	70	I fan support plate assembly	1
22	Panel ass'y	1	71	Top cover ass'y	1
23	Rear left upright pole ass'y	1	72	Rear right upright pole ass'y II	1
24	Panel ass'y	1	73	Fan	1
25	Rear left upright pole ass'y	1	74	Outside the partition component	1
26	Motor bracket ass'y	2	75	Outside top cover welding part	1
27	Screw	1	76	Deflector	2
28	Motor bracket I ass'y	1	77	Motor bracket	2
29	Motor bracket	1	78	Fan	2
30	Motor vibration pad	4	79	Grille	2
31	Three-phase asynchronous motor	1	80	Motor	2
32	B unit capillary ass'y	1	81	Side air deflector	1
33	A unit capillary ass'y	1	82	Net III	1
34	Pulley	1	83	Rear-right pole ass'y	1
35	Sleeve	1	84	Net II	1
36	Pulley	1	85	Pole ass'y	1
37	Belt	2	86	Net I	1

9.9 20 TON
TMC70T3



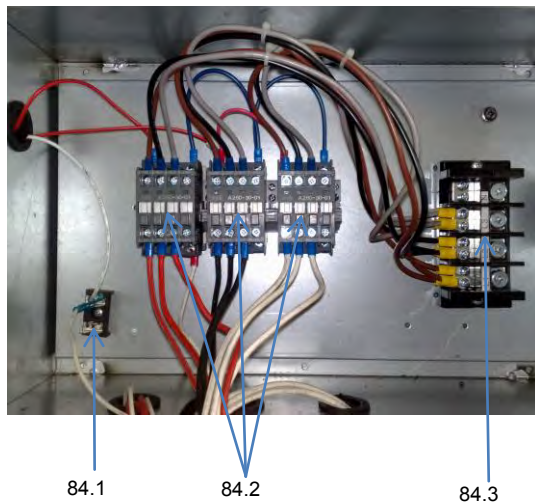
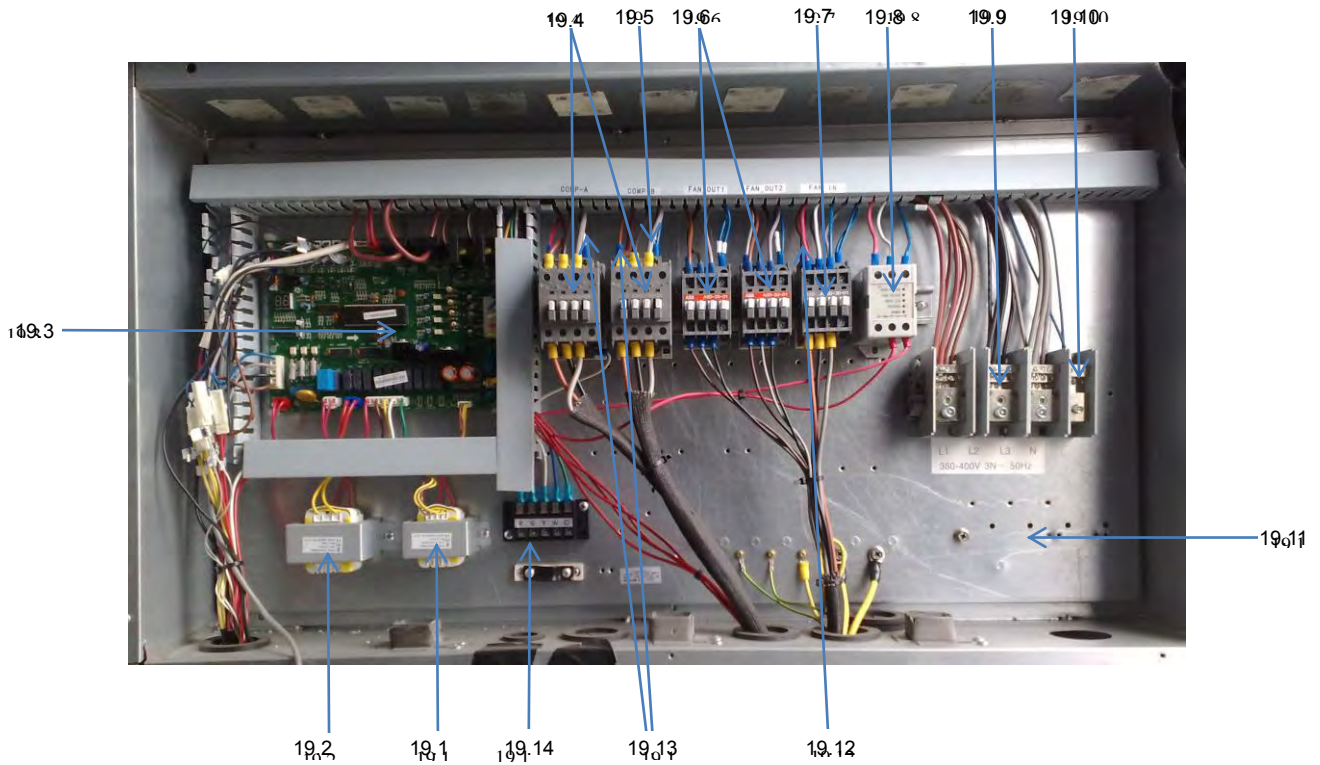


No.	Part Name	Qty	No.	Part Name	Qty
1	A condenser components	1	34	Evaporator parts	1
2	A condenser receiver assembly 1	1	35	III fixed support component evaporator	1
3	Net I	1	36	Water tray components	1
4	A condenser over component 2	1	37	Components under the seal plate evaporator	1
4.1	Unloading valve	1	38	Air filter	2
5	Over component B machine evaporator	1	39	Rear left upright pole ass'y	1
6	A machine components over the evaporator	1	40	Panel ass'y II	1
7	Over component B condenser	1	41	Pole ass'y	1
7.1	Unloading valve	1	42	Panel ass'y I	1
8	Top cover pole	2	43	Cover plate ass'y	1
9	A unit capillary component	1	44	Rear left upright pole ass'y	1
10	Part B condenser	1	45	Air filter	1
12	B-capillary components	1	46	Components on the seal plate evaporator	1
14	B machine back to the tube components	1	47	Fixed supporting	1
14.1	Pressure controller	1	48	Return air flange II ass'y	1
16	A machine back to the tube components	1	49	Supporting ass'y	1
16.1	Pressure controller	1	50	Fixed supporting ass'y II	1
17	Compressor	2	51	Return air cover plate ass'y	1
18	Compressor base	1	52	Return air flange I ass'y	1
19	Electrical control box parts roof	1	53	Fixed supporting ass'y I	1
19.1	Transformer	1	54	Supply air flange II ass'y	1
19.2	24V AC transformer	1	56	Fixing board	3
19.3	Main control board power supply wire	1	57	Supporting board	1
19.4	AC contactor	2	58	Partition board ass'y	1
19.5	Surge suppresser	5	59	Supporting board ass'y	1
19.6	Contactor	2	60	Top cover plate ass'y	1

19.7	Contactora	1	61	Supply air cover plate ass'y	1
19.9	Wire joint	3	62	Duct	3
19.10	Wire joint	1	63	Rear right upright pole II ass'y	1
19.11	E-part box	1	64	Inside of the roof support plate	1
19.12	Wire joint ass'y	1	65	Top cover ass'y	1
19.13	Press contacts cable group	2	66	Net III	1
19.14	Wire joint	1	67	Guide circle	2
20	Welding pieces of the right anterior column I	1	68	Motor	2
21	Panel ass'y	1	69	Outside top cover board assy	1
22	Pole	1	70	Partition board ass'y	1
23	Panel ass'y	1	71	Motor fixed mounted	2
24	Rear left upright pole ass'y	1	72	Axial flow fan	2
25	Panel ass'y III	1	73	Right rear Pole I	1
26	Chassis Parts	1	74	C type net	2
27	Three-phase asynchronous motor	1	75	Fan	1
28	Motor bracket I ass'y	1	76	Pulley	1
29	Motor bracket ass'y	2	77	Sleeve	1
30	Motor bracket	1	78	Taper casing	1
31	Pulley	1	79	Belt	2
32	Evaporator fixed supporter ass'y IV	1	80	Net II	1
33	Water connection board ass'y	1	81	Outside mid Pole ass'y	1
			82	Wire controller	1

TME70T3



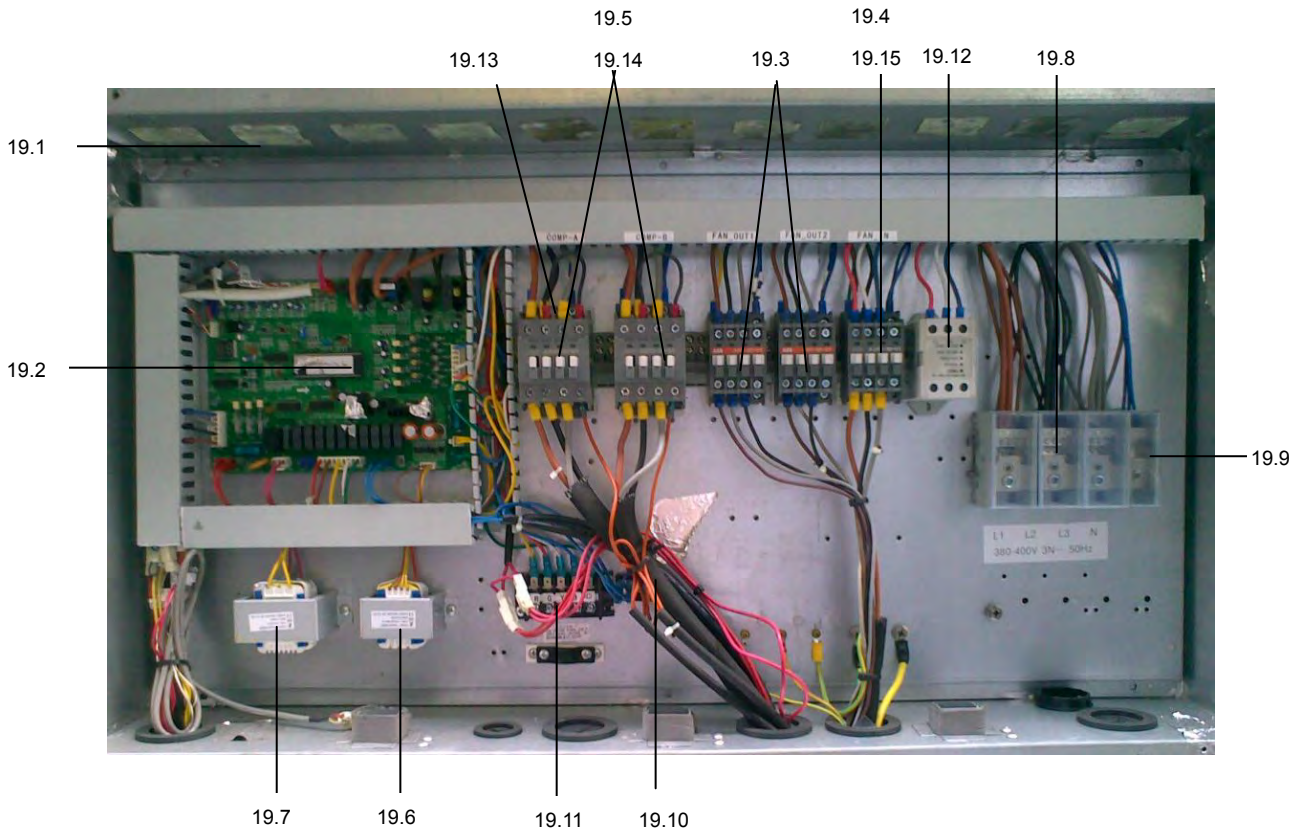


No.	Part Name	Qty	No.	Part Name	Qty
1	A condenser components	1	37	Components under the seal plate evaporator	1
2	A condenser receiver assembly 1	1	38	Air filter	2
3	Net I	1	39	Rear left upright pole ass'y	1
4	A condenser over component 2	1	40	Panel ass'y II	1
4.1	Unloading valve	1	41	Pole ass'y	1
5	Over component B machine evaporator	1	42	Panel ass'y I	1
6	A machine components over the evaporator	1	43	Cover plate ass'y	1
7	Over component B condenser	1	44	Rear left upright pole ass'y	1
7.1	Unloading valve	1	45	Air filter	1
8	Top cover pole	2	46	Components on the seal plate evaporator	1
9	A unit capillary component	1	47	Fixed supporting	1
10	Part B condenser	1	48	Return air flange II ass'y	1
12	B-capillary components	1	49	Supporting ass'y	1
14	B machine back to the tube components	1	50	Fixed supporting ass'y II	1

14.1	Pressure controller	1	51	Return air cover plate ass'y	1
16	A machine back to the tube components	1	52	Return air flange I ass'y	1
16.1	Pressure controller	1	53	Fixed supporting ass'y I	1
17	Compressor	2	54	Supply air flange II ass'y	1
18	Compressor base	1	55	Components of the left rear column II	1
19	Electrical control box parts roof	1	56	Fixing board	3
19.1	Transformer	1	57	Supporting board	1
19.2	24V AC transformer	1	58	Partition board ass'y	1
19.3	Outdoor control board assembly	1	59	Supporting board ass'y	1
19.4	AC contactor	2	60	Top cover plate ass'y	1
19.5	Surge suppresser	5	61	Supply air cover plate ass'y	1
19.6	Contactor	2	62	Duct	3
19.7	Contactor	1	63	Rear right uprigh pole II ass'y	1
19.9	Wire joint	3	64	Inside of the roof support plate	1
19.10	Wire joint	1	65	Top cover ass'y	1
19.11	E-part box	1	66	Net III	1
19.12	Wire joint ass'y	1	67	Guide circle	2
19.13	Press contacts cable group	2	68	Motor	2
19.14	Wire joint	1	69	Outside top cover board assy	1
20	Welding pieces of the right anterior column I	1	70	Outside the partition component	1
21	Panel ass'y	1	71	Motor fixed mounted	2
22	Pole	1	72	Axial flow fan	2
23	Panel ass'y	1	73	Right rear Pole I	1
24	Rear left upright pole ass'y	1	74	C type net	2
25	Panel ass'y III	1	75	Fan	1
26	Chassis Parts	1	76	Pulley	1
27	Three-phase asynchronous motor	1	77	Sleeve	1
28	Motor bracket I ass'y	1	78	Taper casing	1
29	Motor bracket ass'y	2	79	Belt	2
30	Motor bracket	1	80	Net II	1
31	Pulley	1	81	Outside mid Pole ass'y	1
32	Evaporator fixed supporter ass'y IV	1	82	Wire controller	1
33	Water connection board ass'y	1	83	Electric heater ass'y	1
34	Evaporator parts	1	84	Thermoelectric power auxiliary control box components	1
35	III fixed support component evaporator	1	84.1	Wire joint	1
36	Water tray components	1	84.2	Contactor	3
			84.3	Wire joint	1

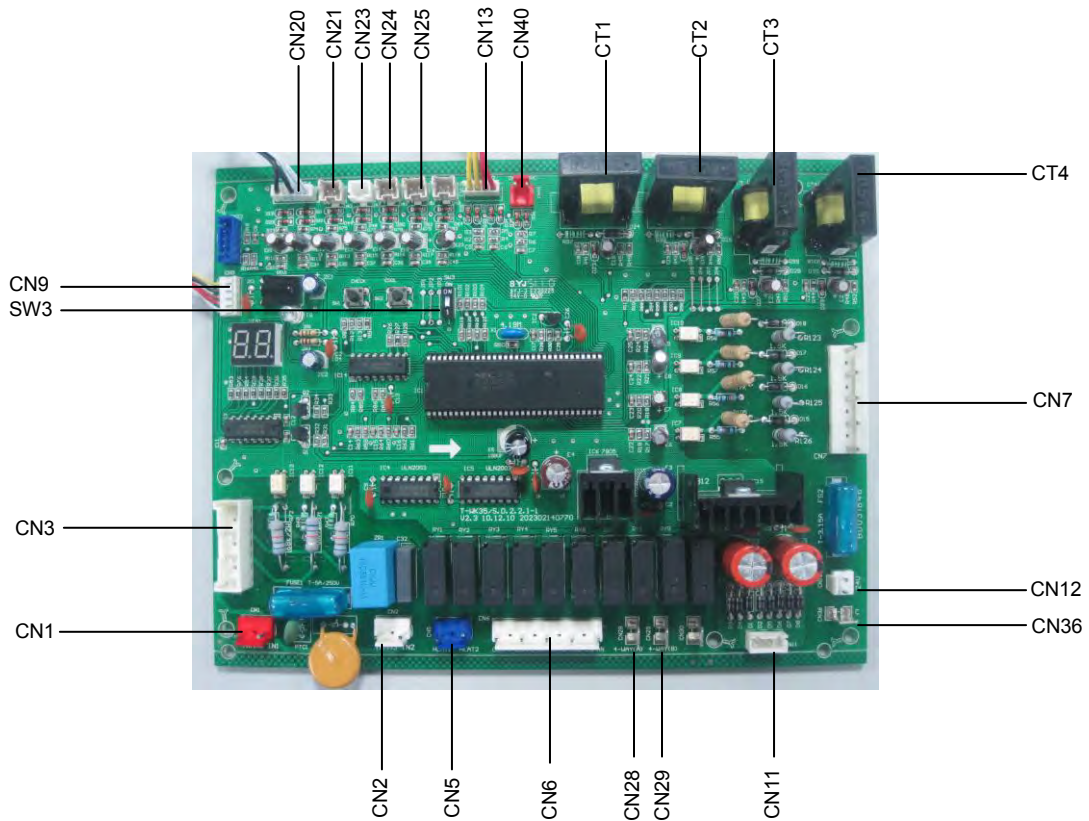
TMH70T3





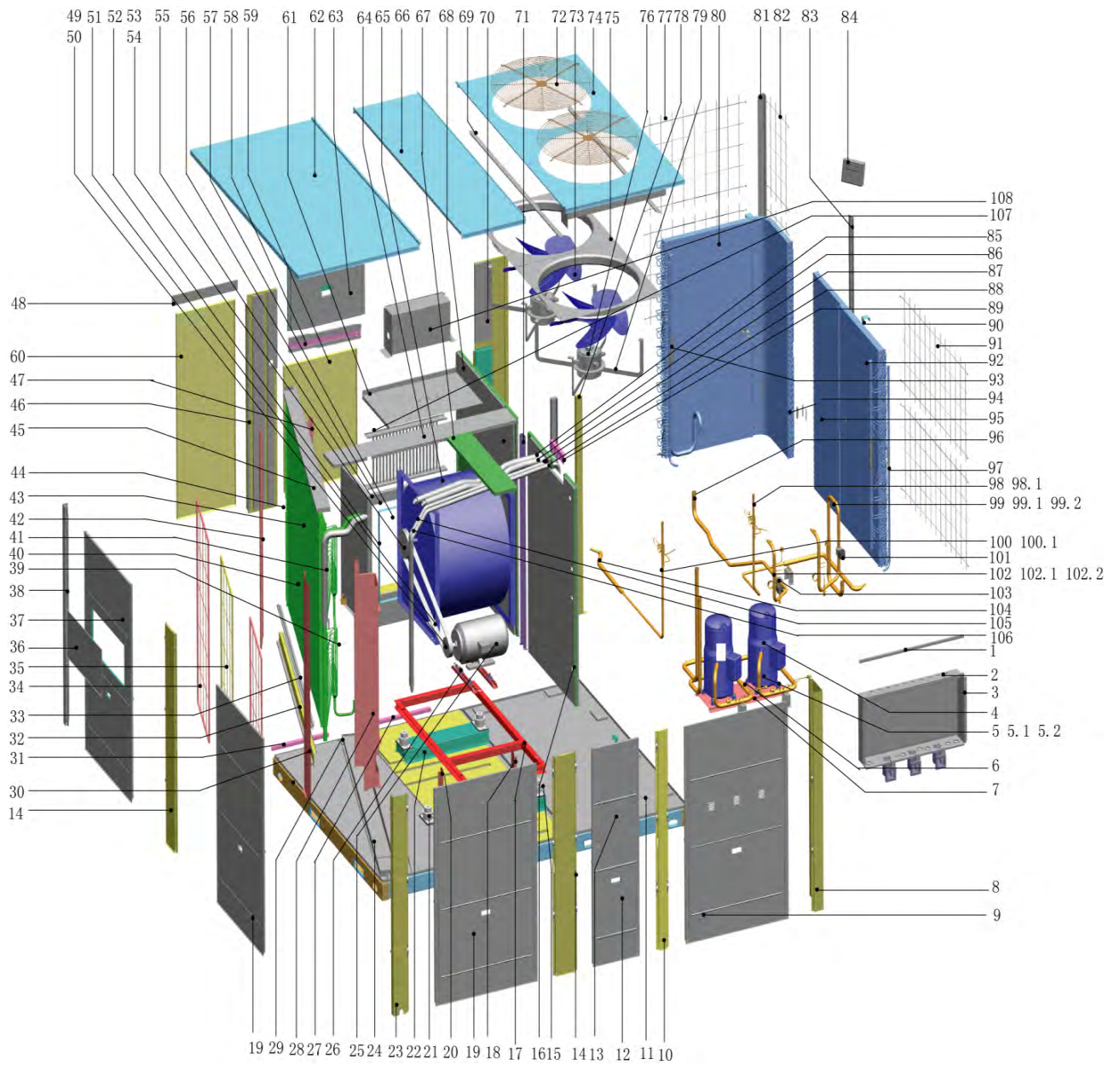
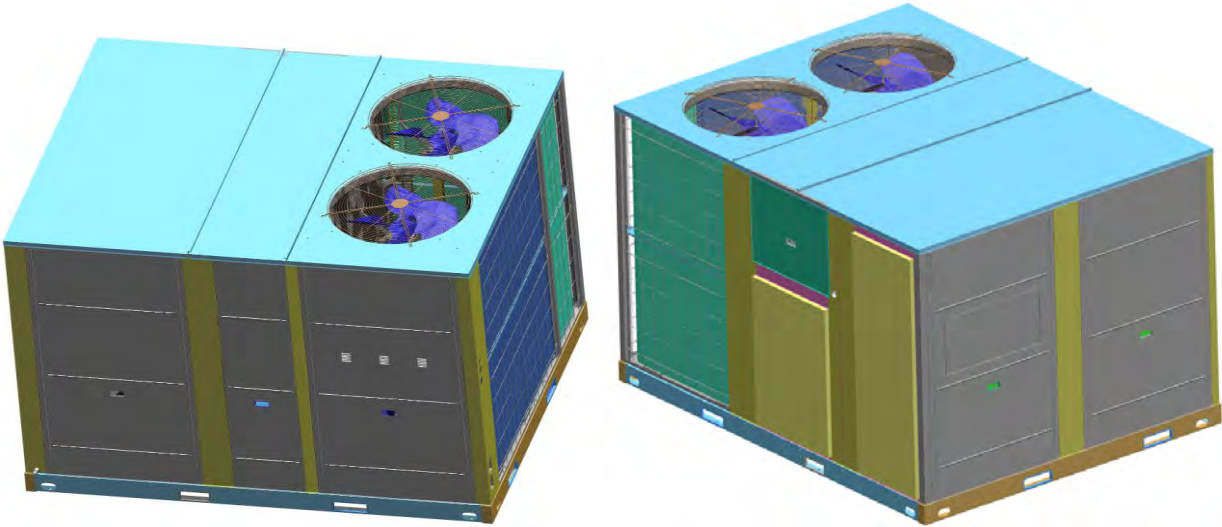
No.	Part Name	Qty	No.	Part Name	Qty
1	A condenser components	1	32	Evaporator fixed supporter ass'y IV	1
2	A condenser receiver assembly 1	1	33	Water connection board ass'y	1
3	Net I	1	34	Evaporator parts	1
4	A condenser over component 2	1	35	III fixed support component evaporator	1
4.1	Unloading valve	1	36	Water tray components	1
5	Over component B machine evaporator	1	37	Components under the seal plate evaporator	1
6	A machine components over the evaporator	1	38	Air filter	2
7	Over component B condenser	1	39	Rear left upright pole ass'y	1
7.1	Unloading valve	1	40	Panel ass'y II	1
8	Top cover pole	2	41	Pole ass'y	1
9	Separator	2	42	Panel ass'y I	1
10	Part B condenser	1	43	Cover plate ass'y	1
11	Form fitting assemblies	4	44	Rear left upright pole ass'y	1
12	Back to the trachea components	2	45	Air filter	1
13	A unit capillary component	1	46	Components on the seal plate evaporator	1
14	B-capillary components	1	47	Fixed supporting	1
15	B-way valve assembly	1	48	Return air flange II ass'y	1
15.1	Pressure controller	1	49	Supporting ass'y	1
16	A four-way valve assembly machine	1	50	Fixed supporting ass'y II	1
16.1	Pressure controller	1	51	Return air cover plate ass'y	1
17	Compressor	2	52	Return air flange I ass'y	1
18	Compressor base	1	53	Fixed supporting ass'y I	1
19	Electrical control box parts roof	1	54	Supply air flange II ass'y	1
19.1	E-part box	1	55	Rear left upright pole ass'y	1

19.2	Outdoor control board assembly	1	56	Partition board ass'y	1
19.3	Contactora	2	57	Supporting board	1
19.4	Contactora	1	58	Partition board ass'y	1
19.5	AC contactora	2	59	Supporting board ass'y	1
19.6	Transformer	1	60	Top cover plate ass'y	1
19.7	24V AC transformer	1	61	Supply air cover plate ass'y	1
19.8	Wire joint	3	62	Supply air flange I ass'y	1
19.9	Wire joint	1	63	Rear right upright pole II ass'y	1
19.10	Wire joint	1	64	Inside of the roof support plate	1
19.11	Wire joint	1	65	Top cover ass'y	1
19.13	Surge suppresser	5	66	Net III	1
19.14	Press contacts cable group	2	67	Guide circle	2
19.15	Wire joint ass'y	1	68	Motor	2
20	Welding pieces of the right anterior column I	1	69	Outside top cover board assy	1
21	Panel ass'y	1	70	Partition board ass'y	1
22	Pole	1	71	Motor fixed mounted	2
23	Panel ass'y	1	72	Axial flow fan	2
24	Rear left upright pole ass'y	1	73	Right rear Pole I	1
25	Panel ass'y III	1	74	C type net	2
26	Chassis Parts	1	75	Fan	1
27	Motor	1	76	Pulley	1
28	Motor bracket I ass'y	1	77	Sleeve	1
29	Motor bracket ass'y	2	78	Taper casing	1
30	Motor bracket	1	79	Belt	2
31	Pulley	1	80	Net II	1
			81	Outside mid Pole ass'y	1



CODE	TITLE	CODE	TITLE	CODE	TITLE
CN1	Transformer	CN12	Transformer	CN25	Indoor pipe temp. sensor
CN2	Transformer	CN7	To the wire controller	CN24	Indoor pipe temp. sensor
CN5	Electric heater	CT4	Current indicator	CN23	Indoor room temp. sensor
CN6	Compressor, outdoor & indoor fan motor power supply	CT3	Current indicator	CN21	Pipe temp. sensor of unit AB
CN28	4-way terminal (A)	CT2	Current indicator	CN20	Outdoor temp. sensor
CN29	4-way terminal (B)	CT1	Current indicator	CN9	To be connected wired controller KJR-12B
CN11	Transformer	CN40	Outdoor fan motor protection switch	SW3	Wired controller set up switch
CN36	To the wired controller	CN13	High & low pressure switch Temp protection switch	CN3	Power supply

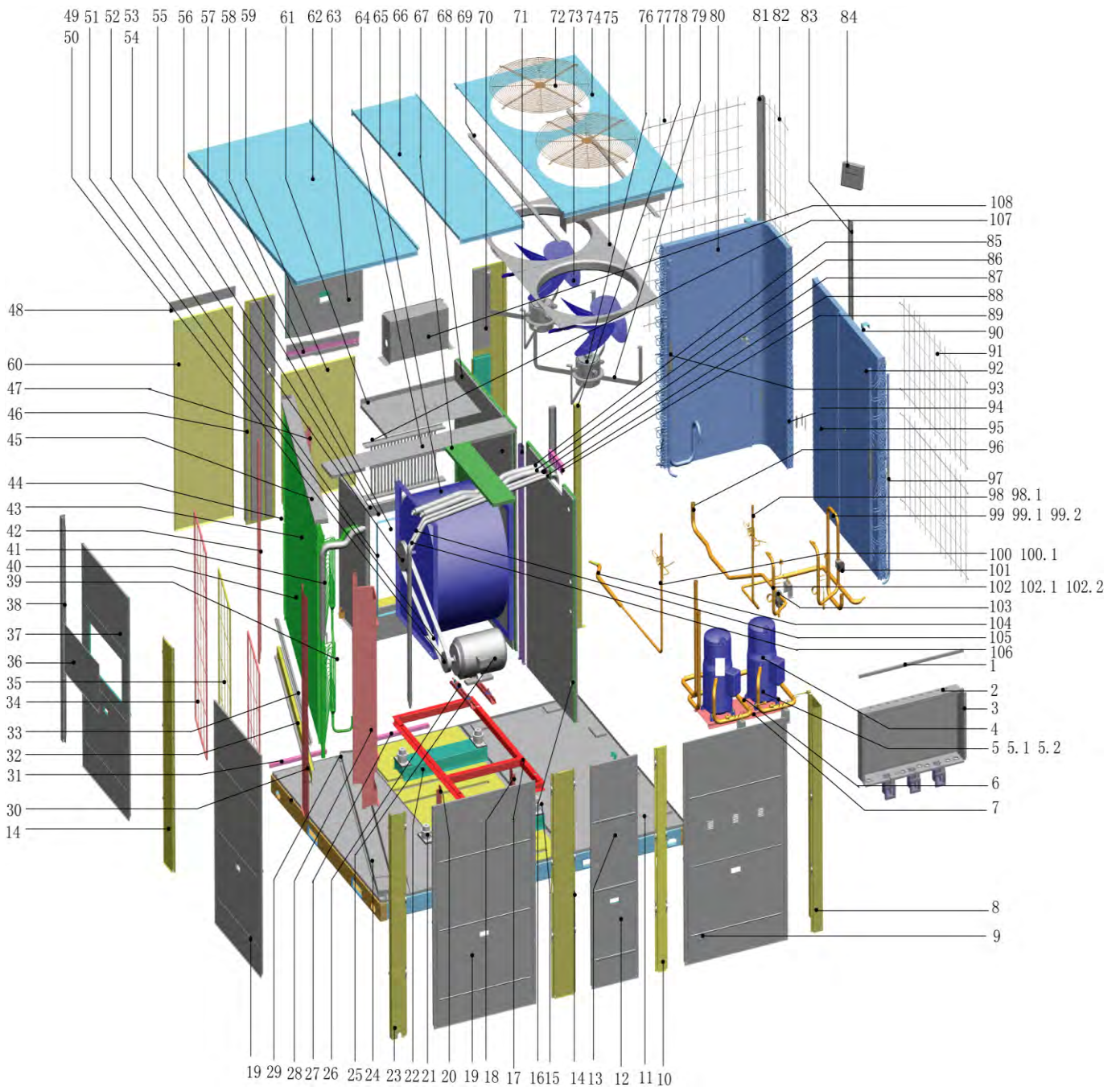
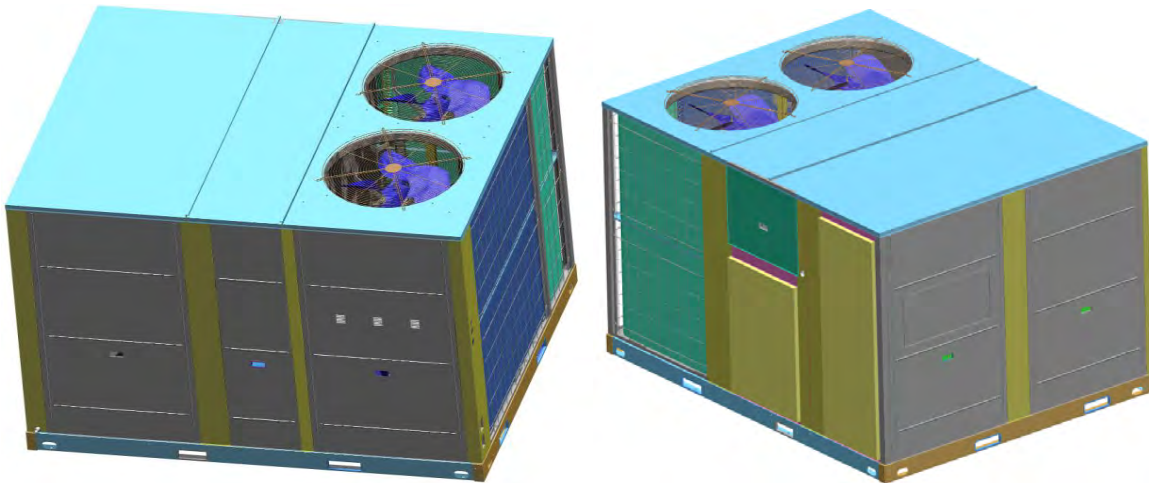
9.10 30 TON
TMC105T3

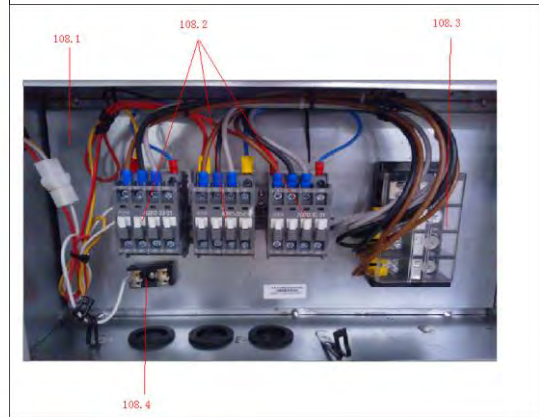
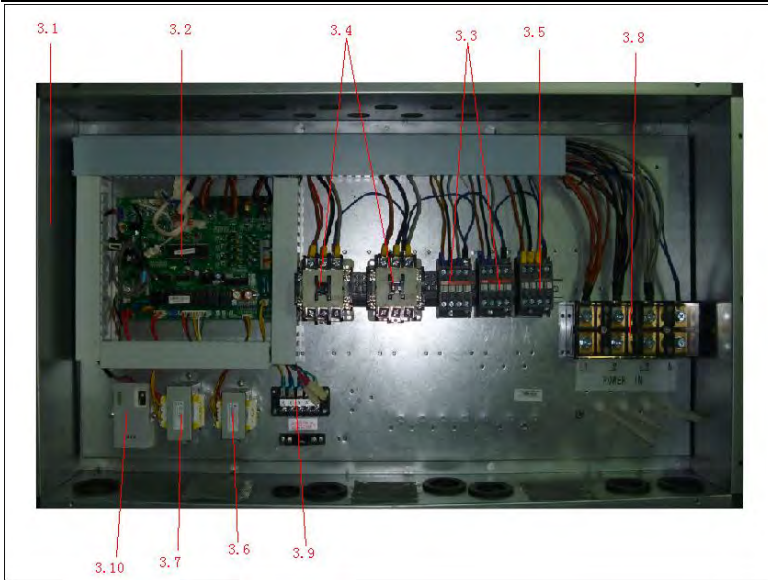


No.	Part Name	Qty	No.	Part Name	Qty
1	E-box support board	1	52	Flexible joint clamp	2
2	Cover plate ass'y	1	53	Wheel	1
3	E-part ass'y	1	54	Sleeve	1
3.1	E-part box	1	55	Air duct board ass'y II	1
3.2	Main control board ass'y	1	56	Joint beam clamp 3	2
3.3	Contactor	2	57	Joint beam clamp 2	2
3.4	AC contactor	2	58	Air outlet flange II	1
3.5	Contactor	1	59	Side air outlet cover board	1
3.6	Transformer	1	60	Side return air cover board	1
3.7	24V AC transformer	1	61	Air duct board ass'y I	1
3.8	Wire joint	1	62	Top Cover plate ass'y	1
3.9	Wire joint	1	63	EAH service port cover ass'y	1
3.10	Network module	1	64	Inside top cover supporting board ass'y	1
4	Compressor	2	65	Fan	1
5	Suction pipe ass'y B	1	66	Top cover ass'y	1
6	Suction pipe ass'y A	1	67	Middle top cover supporter	1
7	Compressor base	1	68	Outer partition board ass'y 1	1
8	Front-right supporting board I	1	69	Outer top cover strengthen board	2
9	Panel ass'y	1	70	Right rear supporting board ass'yII	1
10	Front-right supporting board ass'y II	1	71	Outer partition board ass'y	1
11	Base ass'y	1	72	Grille	2
12	Handle	6	73	Axial fan	2
13	Inside panel ass'y I	1	74	Outside top cover board ass'y	1
14	Inside middle supporting board ass'y	2	75	Ventilation	2
15	Absorber	3	76	Motor	2
16	Outer partition board ass'y 2	1	77	Net II	2
17	Fan motor base ass'y	1	78	Column ass'y, outside, top cover	2
18	Absorber board ass'y 2	1	79	Motor bracket	2
19	Inside panel ass'y II	2	80	A Condenser ass'y 1	1
20	Absorber board ass'y 1	1	81	Right column I, rear	1
21	Absorber	1	82	Net III	2
22	Motor supporter ass'y	2	83	Middle column ass'y, Outside	1
23	Front-left supporting board ass'y	1	84	Wire controller	1
24	Drainage pan ass'y	1	85	B evaporator connection pipe ass'y 2	1
25	Motor	1	86	A evaporator connection pipe ass'y 2	1
26	Guide way ass'y	2	87	Capillary ass'y A	1
27	Air outlet flange II	1	88	Capillary ass'y B	1

28	Evaporator supporting board ass'y 4	1	89	Pipe clamp board ass'y	1
29	Supporting ass'y	1	90	Condenser fixed board	4
30	Evaporator fixed supporting ass'y 3	1	91	Net I	2
31	Air intake flange II	1	92	B condenser ass'y 1	1
32	Evaporator under seal plate ass'y	1	93	Flute shape connection pipe ass'y	2
33	Fixed supporting	1	94	A condenser ass'y 2	1
34	Air filter	2	95	B condenser ass'y 2	1
35	Air filter	1	96	A condenser connection pipe 1	1
36	Cover plate ass'y	1	97	Flute shape connection pipe ass'y 2	2
37	Inside panel ass'y III	1	98	B condenser connection pipe ass'y 1	1
38	Lefe rear supporting board ass'yI	1	98.1	Unloading valve Capillary	1
39	Distributor connection pipe ass'y	1	99	B discharge pipe ass'y	1
40	Evaporator ass'y A	1	99.1	Form fitting assemblies	1
41	Flute shape connection pipe ass'y	1	99.2	Pressure controller	1
42	Evaporator fixed supporting board ass'y 2	1	100	A condenser connection pipe ass'y 1	1
43	Evaporator ass'y B	1	100.1	Unloading valve	1
44	Board joint beam clamp 2	13	101	Rubber supporting	4
45	Evaporator top seal plate ass'y	1	102	A discharge pipe ass'y	1
46	Rear-left supporting boar ass'y II	1	102.1	Form fitting assemblies	1
47	Evaporator fixed supporting board ass'y 1	1	102.2	Pressure controller	1
48	Air intake flange I assy	1	103	Rubber supporting	2
49	Belt pulley	1	104	A condenser connection pipe ass'y	1
50	Sleeve	1	105	Capillary ass'y A	1
51	Belt	2	106	Capillary ass'y B	1

TME105T3

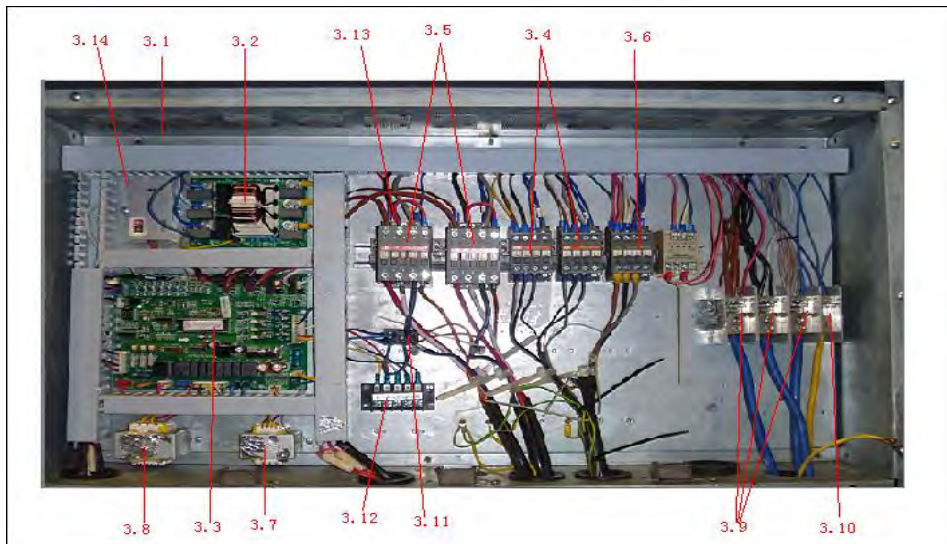
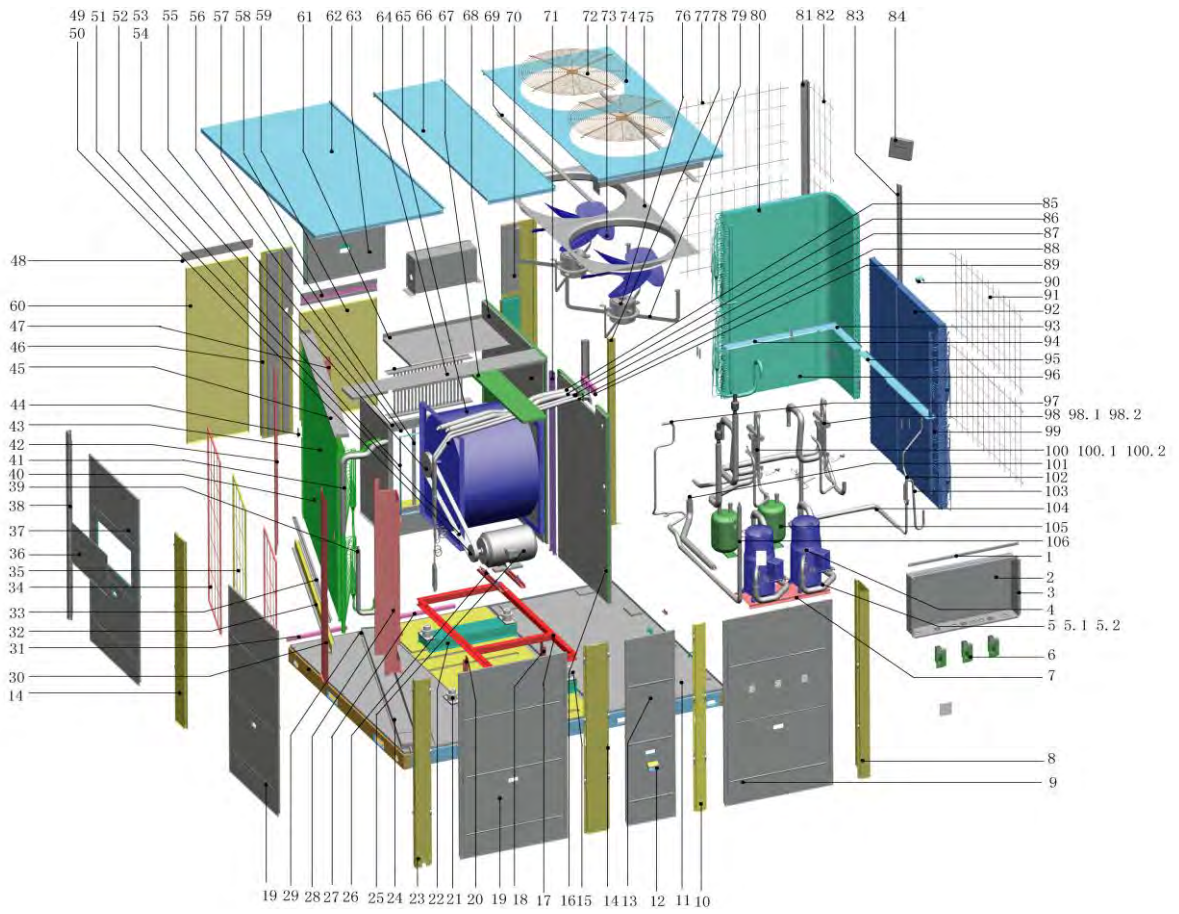
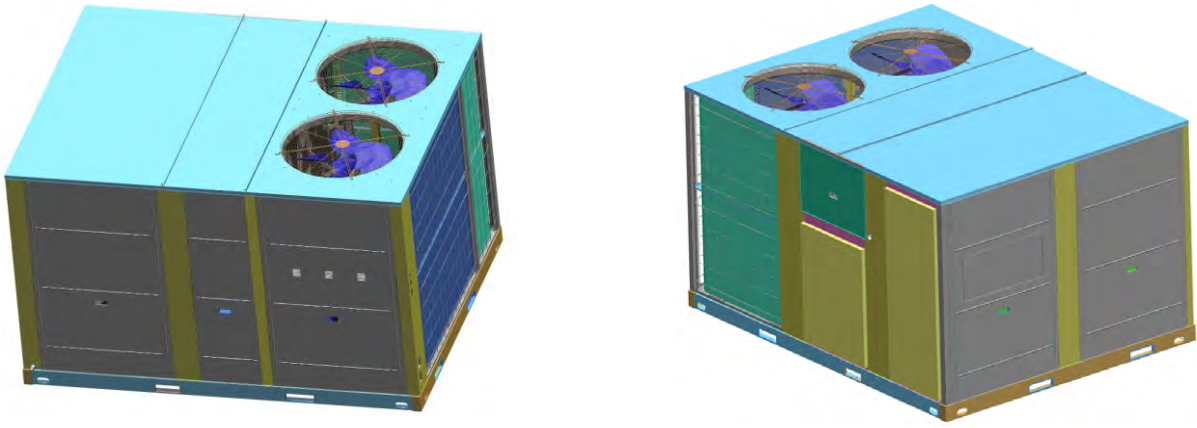




No.	Part Name	Qty	No.	Part Name	Qty
1	E-box support board	1	55	Air duct board ass'y II	1
2	Cover plate ass'y	1	56	Joint beam clamp 3	2
3	E-part ass'y	1	57	Joint beam clamp 2	2
3.1	E-part box	1	58	Air outlet flange II	1
3.2	Main control board ass'y	1	59	Side air outlet cover board	1
3.3	Contactor	2	60	Side return air cover board	1
3.4	AC contactor	2	61	Air duct board ass'y I	1
3.5	Contactor	1	62	Top Cover plate ass'y	1
3.6	Transformer	1	63	EAH service port cover ass'y	1
3.7	24V AC transformer	1	64	Inside top cover supporting board ass'y	1
3.8	Wire joint	1	65	Fan	1
3.9	Wire joint	1	66	Top cover ass'y	1
3.10	Network module	1	67	Middle top cover supporter	1
4	Compressor	2	68	Outer partition board ass'y 1	1
5	Suction pipe ass'y B	1	69	Outer top cover strengthen board	2
6	Suction pipe ass'y A	1	70	Right rear supporting board ass'yII	1
7	Compressor base	1	71	Outer partition board ass'y	1
8	Front-right supporting board I	1	72	C type net	2
9	Outer panel ass'y	1	73	Axial flow fan	2
10	Front-right supporting board ass'y II	1	74	Outside top cover board assy	1
11	Base ass'y	1	75	Guide circle	2
12	Handle	6	76	Motor	2
13	Inside panel ass'y I	1	77	Net II	2
14	Inside middle supporting board ass'y	2	78	Outer top cover supporting ass'y	2
15	Absorber	3	79	Motor fixed mounted	2
16	Outer partition board ass'y 2	1	80	A Condenser ass'y 1	1
17	Fan motor base ass'y	1	81	Rear-right supporting board I	1

18	Absorber board ass'y 2	1	82	Net III	2
19	Inside panel ass'y II	2	83	Outer middle board ass'y	1
20	Absorber board ass'y 1	1	84	Wire controller	1
21	Absorber	1	85	B evaporator connection pipe ass'y 2	1
22	Motor supporter ass'y	2	86	A evaporator connection pipe ass'y 2	1
23	Front-left supporting board ass'y	1	87	Capillary ass'y A	1
24	Drainage pan ass'y	1	88	Capillary ass'y B	1
25	Motor	1	89	Pipe clamp board ass'y	1
26	Guide way ass'y	2	90	Condenser fixed board	4
27	Air outlet flange II	1	91	Net I	2
28	Evaporator supporting board ass'y 4	1	92	B condenser ass'y 1	1
29	Supporting ass'y	1	93	Flute shape connection pipe ass'y	2
30	Evaporator fixed supporting ass'y 3	1	94	A condenser ass'y 2	1
31	Air intake flange II	1	95	B condenser ass'y 2	1
32	Evaporator under seal plate ass'y	1	96	A condenser connection pipe 1	1
33	Fixed supporting	1	97	Flute shape connection pipe ass'y 2	2
34	Air filter	2	98	B condenser connection pipe ass'y 1	1
35	Air filter	1	98.1	Unloading valve Capillary	1
36	Cover plate ass'y	1	99	B discharge pipe ass'y	1
37	Inside panel ass'y III	1	99.1	Form fitting assemblies	1
38	Left rear supporting board ass'y I	1	99.2	Pressure controller	1
39	Distributor connection pipe ass'y	1	100	A condenser connection pipe ass'y 1	1
40	Evaporator ass'y A	1	100.1	Unloading valve	1
41	Flute shape connection pipe ass'y	1	101	Rubber supporting	4
42	Evaporator fixed supporting board ass'y 2	1	102	A discharge pipe ass'y	1
43	Evaporator ass'y B	1	102.1	Form fitting assemblies	1
44	Board joint beam clamp 2	13	102.2	Pressure controller	1
45	Evaporator top seal plate ass'y	1	103	Rubber supporting	2
46	Rear-left supporting board ass'y II	1	104	A condenser connection pipe ass'y	1
47	Evaporator fixed supporting board ass'y 1	1	105	Capillary ass'y A	1
48	Air intake flange I ass'y	1	106	Capillary ass'y B	1
49	Belt pulley	1	107	Auxiliary electric heater ass'y	1
50	Sleeve	1	108	Auxiliary electric heater E-box ass'y	1
51	Belt	2	108.1	Auxiliary electric heater E-box ass'y	1
52	Flexible joint clamp	2	108.2	AC contactor	3
53	Wheel	1	108.3	Wire joint	1
54	Sleeve	1	108.4	Terminal block	1

TMH105T3



No.	Part Name	Qty	No.	Part Name	Qty
1	E-box support board	1	48	Air intake flange I assy	1
2	Cover plate ass'y	1	49	Pulley	1
3	E-part ass'y	1	50	Sleeve	1
3.1	E-part box	1	51	Belt	2
3.2	Outdoor power board ass'y	1	52	Flexible joint clamp	2
3.3	Main control board ass'y	1	53	Wheel	1
3.4	Contactora	2	54	Sleeve	1
3.5	Contactora	2	55	Air duct board ass'y II	1
3.6	Contactora	1	56	Joint beam clamp 3	2
3.7	Transformer	1	57	Joint beam clamp 2	2
3.8	24V AC transformer	1	58	Air outlet flange II	1
3.9	A Terminal Block	3	59	Side air outlet cover board	1
3.10	A Terminal Block	1	60	Side return air cover board	1
3.11	Wire joint	1	61	Air duct board ass'y I	1
3.12	Wire joint	1	62	Top Cover plate ass'y	1
3.13	Surge suppresser	2	63	EAH service port cover ass'y	1
3.14	Network module	1	64	Inside top cover supporting board ass'y	1
4	Compressor	2	65	Fan	1
5	Suction pipe ass'y	2	66	Top cover ass'y	1
5.1	Pressure controller	1	67	Middle top cover supporter	1
5.2	Form fitting assemblies	1	68	Outer partition board ass'y 1	1
6	Air duct ass'y	3	69	Outer top cover strengthen board	2
7	Compressor base	1	70	Right rear supporting board ass'yII	1
8	Front-right supporting board I	1	71	Outer partition board ass'y	1
9	Outer panel ass'y	1	72	C type net	2
10	Front-right supporting board ass'y II	1	73	Axial flow fan	2
11	Base ass'y	1	74	Outside top cover board assy	1
12	Handle	6	75	Guide circle	2
13	Inside panel ass'y I	1	76	Motor	2
14	Inside middle supporting board ass'y	2	77	Net II	2
15	Absorber	3	78	Outer top cover supporting ass'y	2
16	Outer partition board ass'y 2	1	79	Motor fixed mounted	2
17	Fan motor base ass'y	1	80	Condenser ass'y A	1
18	Absorber board ass'y 2	1	81	Rear-right supporting board I	1
19	Inside panel ass'y II	2	82	Net III	2
20	Absorber board ass'y 1	1	83	Outer middle board ass'y	1
21	Absorber	1	84	Wire controller	1
22	Motor supporter ass'y	2	85	B evaporator connection pipe ass'y 2	1
23	Front-left supporting board ass'y	1	86	A evaporator connection pipe ass'y 2	1
24	Drainage pan ass'y	1	87	Capillary ass'y A	1
25	Motor	1	88	Capillary ass'y B	1
26	Guide way ass'y	2	89	Pipe clamp board ass'y	1
27	Air outlet flange II	1	90	Condenser fixed board	4
28	Evaporator supporting board ass'y 4	1	91	Net I	2

No.	Part Name	Qty	No.	Part Name	Qty
29	Supporting ass'y	1	92	B condenser ass'y 1	1
30	Evaporator fixed supporting ass'y 3	1	93	Condenser drainage board 3	1
31	Air intake flange II	1	94	Condenser drainage board 2	1
32	Evaporator under seal plate ass'y	1	95	Condenser drainage board 1	1
33	Fixed supporting	1	96	A condenser ass'y 2	1
34	Air filter	2	97	A condenser connection pipe ass'y	1
35	Air filter	1	98	4-way valve ass'y B	1
36	Cover plate ass'y	1	98.1	4-way valve	1
37	Inside panel ass'y III	1	98.2	Pressure controller	1
38	Lefe rear supporting board ass'y I	1	99	Condenser ass'y B	1
39	Distributor connection pipe ass'y	1	100	4-way valve ass'y A	1
40	Evaporator ass'y A	1	100.1	4-way valve	1
41	Flute shape connection pipe ass'y	1	100.2	Pressure controller	1
42	Evaporator fixed supporting board ass'y 2	1	101	A condenser connection pipe 1	1
43	Evaporator ass'y B	1	102	B condenser connection pipe 5	1
44	Board joint beam clamp 2	13	103	B condenser connection pipe 4	1
45	Evaporator top seal plate ass'y	1	104	B condenser connection pipe ass'y 1	1
46	Rear-left supporting board ass'y II	1	105	Separator	2
47	Evaporator fixed supporting board ass'y 1	1	106	A condenser connection pipe ass'y 1	1

10. Electrical Data

10.1 Electrical Data

Model	Power Supply			Compressor(Each)				Evaporator fan motor(Each)			Condenser fan motor(Each)		
	MCA(A)	TOCA(A)	MFA(A)	RLA(A)	LRA(A)	IP(kW)	QTY	FLA(A)	IP(kW)	QTY	FLA(A)	IP(kW)	QTY
TMC18T3	20.4	23.5	35.0	12.3	74.0	5.6	1	3.5	0.8	1	1.5	0.3	1
TMC22T3	23.2	26.8	40.0	14.3	98.0	7.2	1	3.7	1.3	1	1.7	0.9	1
TME22T3	23.2	26.8	40.0	14.3	98.0	7.2	1	3.7	1.3	1	1.7	0.9	1
TMH22T3	23.2	26.8	40.0	14.3	98.0	7.2	1	3.7	1.3	1	1.7	0.9	1
TMC26T3	25.9	30.0	45.0	16.4	142.0	8.5	1	3.7	1.3	1	1.7	0.9	1
TME26T3	25.9	30.0	45.0	16.4	142.0	8.5	1	3.7	1.3	1	1.7	0.9	1
TMH26T3	25.9	30.0	45.0	16.4	142.0	8.5	1	3.7	1.3	1	1.7	0.9	1
TMC30T3	32.3	37.5	55.0	20.7	142.0	9.5	1	3.7	1.3	1	2.7	1.3	1
TME30T3	32.3	37.5	55.0	20.7	142.0	9.5	1	3.7	1.3	1	2.7	1.3	1
TMH30T3	32.3	37.5	55.0	20.7	142.0	9.5	1	3.7	1.3	1	2.7	1.3	1
TMC35T3	33.2	38.5	55.0	21.4	147.0	10.9	1	3.7	1.3	1	2.7	1.3	1
TME35T3	33.2	38.5	55.0	21.4	147.0	10.9	1	3.7	1.3	1	2.7	1.3	1
TMH35T3	33.2	38.5	55.0	21.4	147.0	10.9	1	3.7	1.3	1	2.7	1.3	1
TMC44T3	47.4	55.1	80.0	10.9/20	64/118	4.75/9.2	2	6.0	3.1	1	2.7	1.3	1
TME44T3	47.4	55.1	80.0	10.9/20	64/118	4.75/9.2	2	6.0	3.1	1	2.7	1.3	1
TMC53T3	56.2	64.4	90.0	16.4	142.0	8.5	2	11.8	5.1	1	1.7	0.9	2
TME53T3	56.2	64.4	90.0	16.4	142.0	8.5	2	11.8	5.1	1	1.7	0.9	2
TMH53T3	56.2	64.4	90.0	16.4	142.0	8.5	2	11.8	5.1	1	1.7	0.9	2
TMC62T3	69.03	79.38	115	20.7	142.0	9.5	2	11.8	5.1	1	2.7	1.3	2
TME62T3	69.03	79.38	115	20.7	142.0	9.5	2	11.8	5.1	1	2.7	1.3	2
TMH62T3	69.03	79.38	115	20.7	142.0	9.5	2	11.8	5.1	1	2.7	1.3	2
TMC70T3	71.8	82.5	115	21.4	147.0	10.9	2	11.8	5.1	1	3.3	1.7	2
TME70T3	71.8	82.5	115	21.4	147.0	10.9	2	11.8	5.1	1	3.3	1.7	2
TMH70T3	71.8	82.5	115	21.4	147.0	10.9	2	11.8	5.1	1	3.3	1.7	2
TMC105T3	90.9	104.7	115	27.6	197.0	13.7	2	15.4	5.9	1	3.3	1.7	2
TME105T3	90.9	104.7	150.0	27.6	197.0	13.7	2	15.4	5.9	1	3.3	1.7	2
TMH105T3	90.9	104.7	150.0	27.6	197.0	13.7	2	15.4	5.9	1	3.3	1.7	2

MCA: Min. Current Amps. (A)

TOCA: Total Over-current Amps. (A)

MFA: Max. Fuse Amps. (A)

RLA: Rated Current (A)

LRA: Locked rotor Amps. (A)

IP: Input (kW)

FLA: Full Load Amps. (A)

10.2 Motor protection class

Model	Compressor	Indoor fan motor		Indoor coil	Outdoor fan motor		Outdoor coil
	Motor protection	Insulation class	Safe class	Pressure	Insulation class	Safe class	Pressure
TMC18T3	IOP	F	IPX0	250psi	B	IPX4	450psi
TMC22T3	IOP	F	IP54	250psi	F	IP54	450psi
TME22T3	IOP	F	IP54	250psi	F	IP54	450psi
TMH18T3	IOP	F	IP54	250psi	F	IP54	450psi
TMC26T3	IOP	F	IP54	250psi	F	IP54	450psi
TME26T3	IOP	F	IP54	250psi	F	IP54	450psi
TMH26T3	IOP	F	IP54	250psi	F	IP54	450psi
TMC30T3	IOP	F	IP54	250psi	F	IP54	450psi
TME30T3	IOP	F	IP54	250psi	F	IP54	450psi
TMH30T3	IOP	F	IP54	250psi	F	IP54	450psi
TMC35T3	IOP	F	IP54	250psi	F	IP54	450psi
TME35T3	IOP	F	IP54	250psi	F	IP54	450psi
TMC35T3	IOP	F	IP54	250psi	F	IP54	450psi
TMC44T3	IOP	F	IP54	250psi	F	IP54	450psi
TMH44T3	IOP	F	IP54	250psi	F	IP54	450psi
TMC53T3	IOP	F	IP54	250psi	F	IP54	450psi
TME53T3	IOP	F	IP54	250psi	F	IP54	450psi
TMH53T3	IOP	F	IP54	250psi	F	IP54	450psi
TMC62T3	IOP	F	IP54	250psi	F	IP54	450psi
TME62T3	IOP	F	IP54	250psi	F	IP54	450psi
TMH62T3	IOP	F	IP54	250psi	F	IP54	450psi
TMC70T3	IOP	F	IP54	250psi	F	IP54	450psi
TME70T3	IOP	F	IP54	250psi	F	IP54	450psi
TMH70T3	IOP	F	IP54	250psi	F	IP54	450psi
TMC105T3	IOP	F	IP54	250psi	F	IP44	450psi
TME105T3	IOP	F	IP54	250psi	F	IP44	450psi
TMH105T3	IOP	F	IP54	250psi	F	IP44	450psi

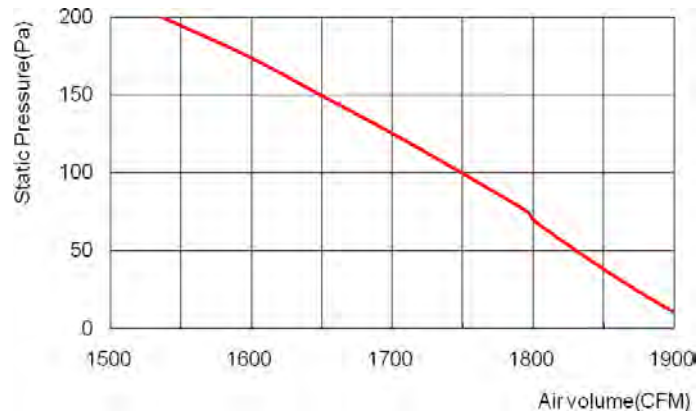
IOP: Internal overload protector

11. Parameter and Pressure Chart for Air Volume

11.1 Model:5ton

Parameter table for indoor unit air volume:

Static pressure (Pa)	0	25	50	70	75	100	125	150	175	200
Air flow (CFM)	1920	1872	1831	1800	1795	1749	1701	1649	1598	1536
Brake power (kW)	0.7782	0.7634	0.752	0.742	0.7417	0.73	0.716	0.7015	0.687	0.67
Fan speed (rpm)	846	881	914	944	948	975	1006	1036	1067	1096



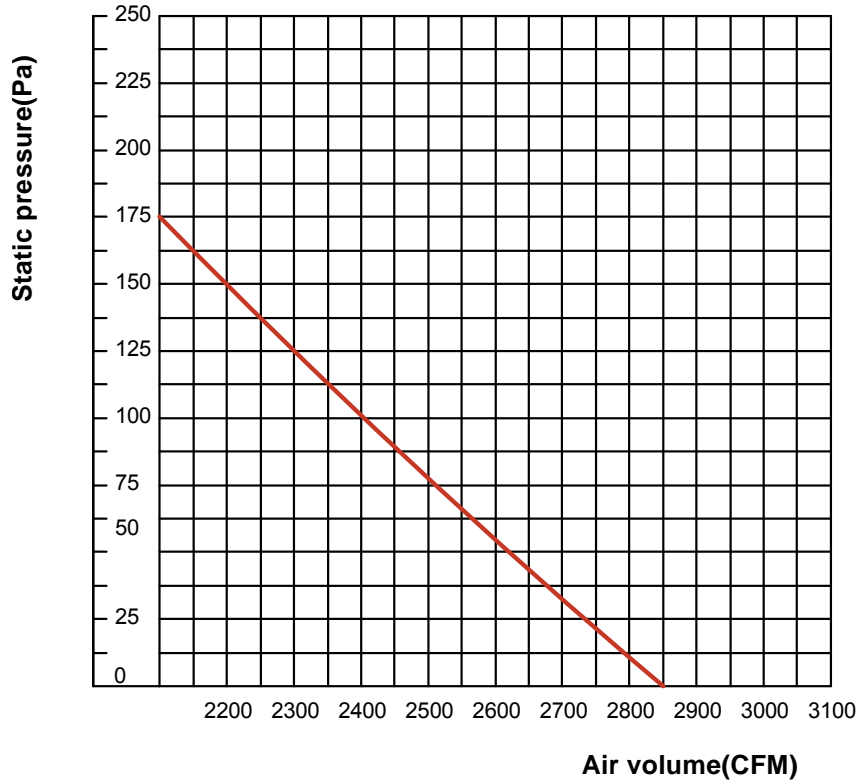
Parameter table for outdoor unit air volume:

Model	Static pressure (Pa)	Air flow (CFM)	Brake power (kW)	Fan speed (rpm)
5Ton	0	4114	0.345	1080

11.2 Model:6.2ton

Parameter table for indoor unit air volume:

Static pressure (Pa)	0	25	50	60	75	100	125	150	175
Air flow (CFM)	2853	2754	2632	2602	2522	2413	2310	2236	2108
Brake power (kW)	1.51	1.4	1.36	1.34	1.2	1.14	1.09	1.05	0.98
Fan speed (rpm)	1068	1072	1077	1077	1080	1082	1085	1089	1091



Parameter table for outdoor unit air volume:

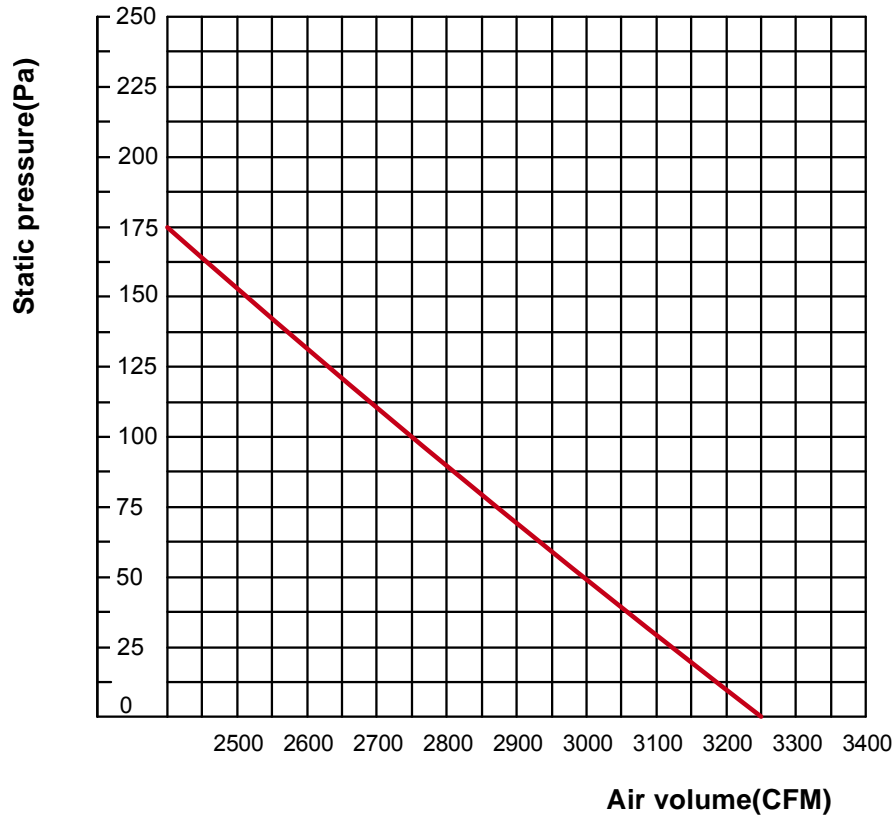
Model	Static pressure (Pa)	Air flow (CFM)	Brake power (kW)	Fan speed (rpm)
6.2Ton	0	5880	0.78	900
	10	5647	0.79	889
	20	5411	0.80	875

11.3 Model: 7.5Ton

Parameter table for indoor unit air volume:

Static pressure (Pa)	0	20	50	60	75	100	125	150	175
Air flow (CFM)	3240	3149	2996	2941	2886	2782	2664	2540	2411
Brake power (kW)	1.83	1.78	1.70	1.66	1.63	1.58	1.53	1.47	1.41
Fan speed (rpm)	1260	1265	1268	1271	1274	1277	1281	1285	1287

Curve diagram of static pressure, air flow volume:



Parameter table for outdoor unit air volume:

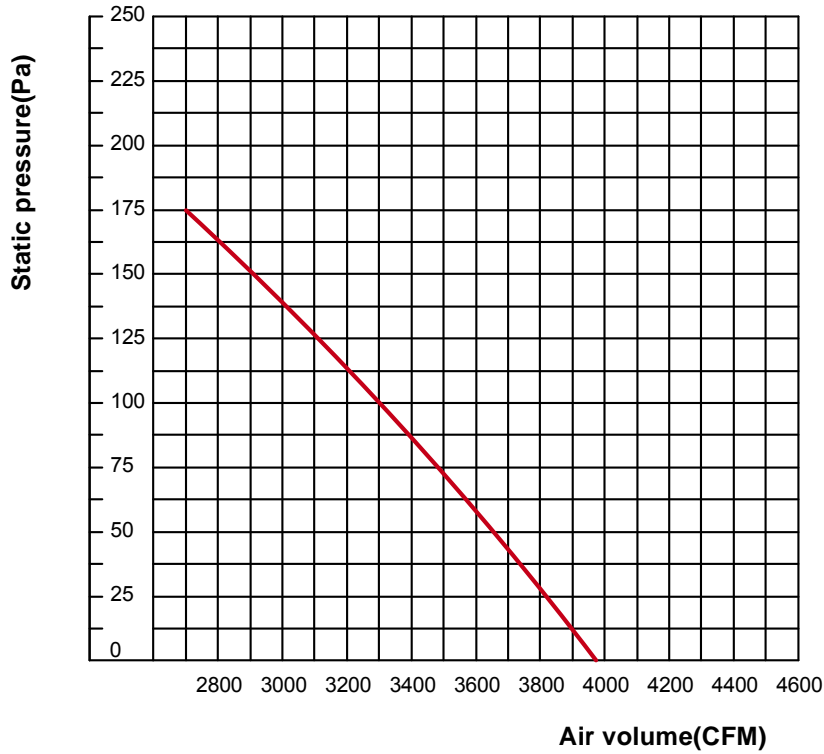
Model	Static pressure (Pa)	Air flow (CFM)	Brake power (kW)	Fan speed (rpm)
7.5Ton	0	5880	0.78	900
	10	5647	0.79	889
	20	5411	0.80	875

11.4 Model: 8.5Ton

Parameter table for indoor unit air volume:

Static pressure (Pa)	0	25	50	75	100	125	150	175
Air flow (CFM)	3940	3785	3612	3451	3302	3130	2955	2759
Brake power (kW)	1.88	1.81	1.73	1.66	1.59	1.51	1.43	1.35
Fan speed (rpm)	933	937	939	944	946	949	952	953

Curve diagram of static pressure, air flow volume:



Parameter table for outdoor unit air volume:

Model	Static pressure (Pa)	Air flow (CFM)	Brake power (kW)	Fan speed (rpm)
8.5Ton	0	7060	0.78	935
	10	6765	0.79	926
	20	6471	0.80	918

11.5 Model: 10Ton

Parameter table for indoor unit air volume:

Static pressure (Pa)	0	25	50	75	100	125	150	175
Air flow (CFM)	4298	4156	3929	3756	3579	3382	3218	3020
Brake power (kW)	2.18	2.1	2.02	1.96	1.86	1.79	1.71	1.62
Fan speed (rpm)	1000	1004	1006	1011	1014	1016	1020	1021

Curve diagram of static pressure, air flow volume:

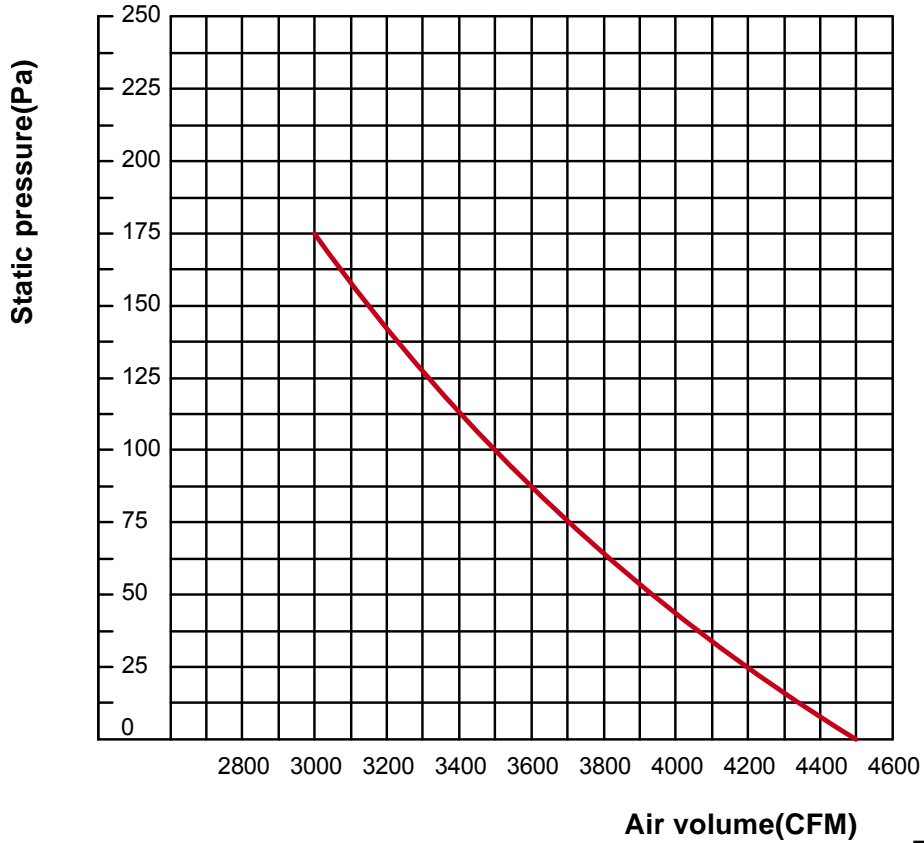


Fig.7-4

Parameter table for outdoor unit air volume:

Model	Static pressure (Pa)	Air flow (CFM)	Brake power (kW)	Fan speed (rpm)
10Ton	0	7060	0.78	935
	10	6765	0.79	926
	20	6471	0.80	918

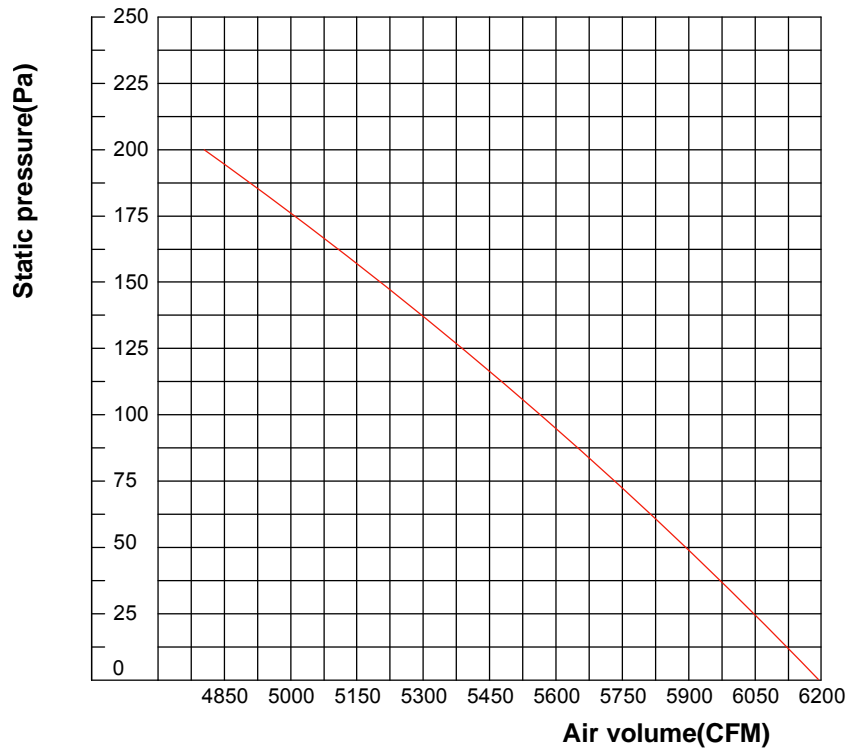
11.6 Model: 12.5Ton

Parameter table for indoor unit air volume:

Static pressure (Pa)	0	25	50	90	125	175	200	225
Air flow (CFM)	6200	6050	5900	5580	5375	5000	4820	4670
Brake power (kW)	3.06	2.95	2.85	2.69	2.56	2.35	2.24	2.14
Fan speed (rpm)	895	894	896	897	898	898	899	899

Curve diagram of static pressure, air flow volume:

12.5 Tons (50Hz)



Parameter table for outdoor unit air volume:

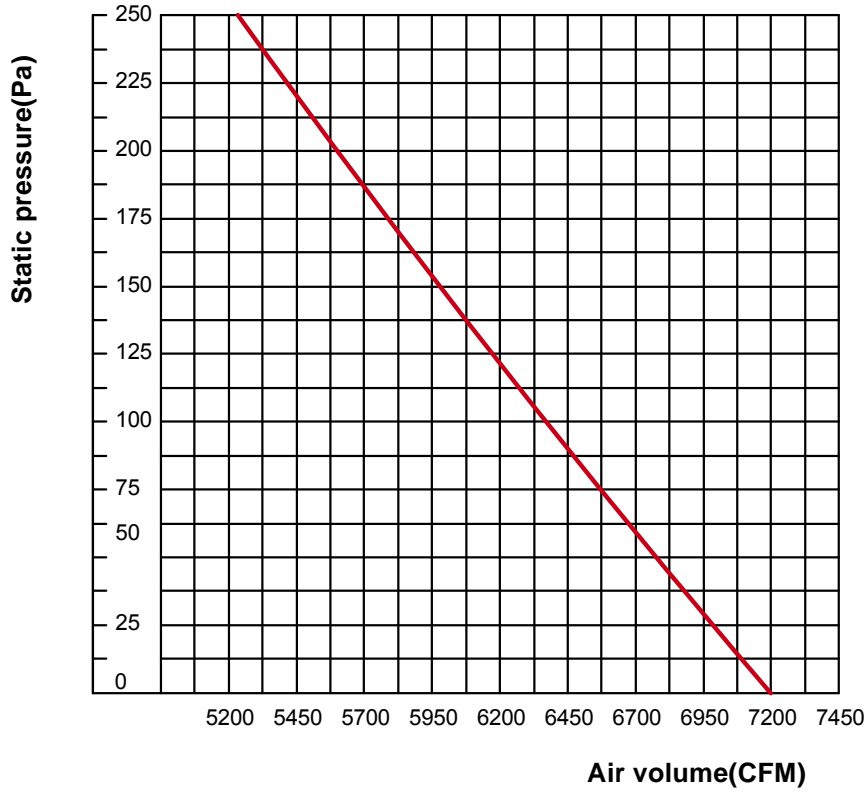
Model	Static pressure (Pa)	Air flow (CFM)	Brake power (kW)	Fan speed (rpm)
12.5Ton	0	7060	0.78	935
	10	6765	0.79	926
	20	6471	0.80	918

11.7 Model: 15Ton

Parameter table for indoor unit air volume:

Static pressure (Pa)	0	50	75	90	125	150	200	250
Air flow (CFM)	7209	6675	6575	6400	6150	6044	5639	5227
Brake power (kW)	5.11	4.85	4.71	4.65	4.45	4.32	4.08	3.82
Fan speed (rpm)	1029	1029	1030	1031	1031	1032	1033	1034

Curve diagram of static pressure, air flow volume:



Parameter table for outdoor unit air volume:

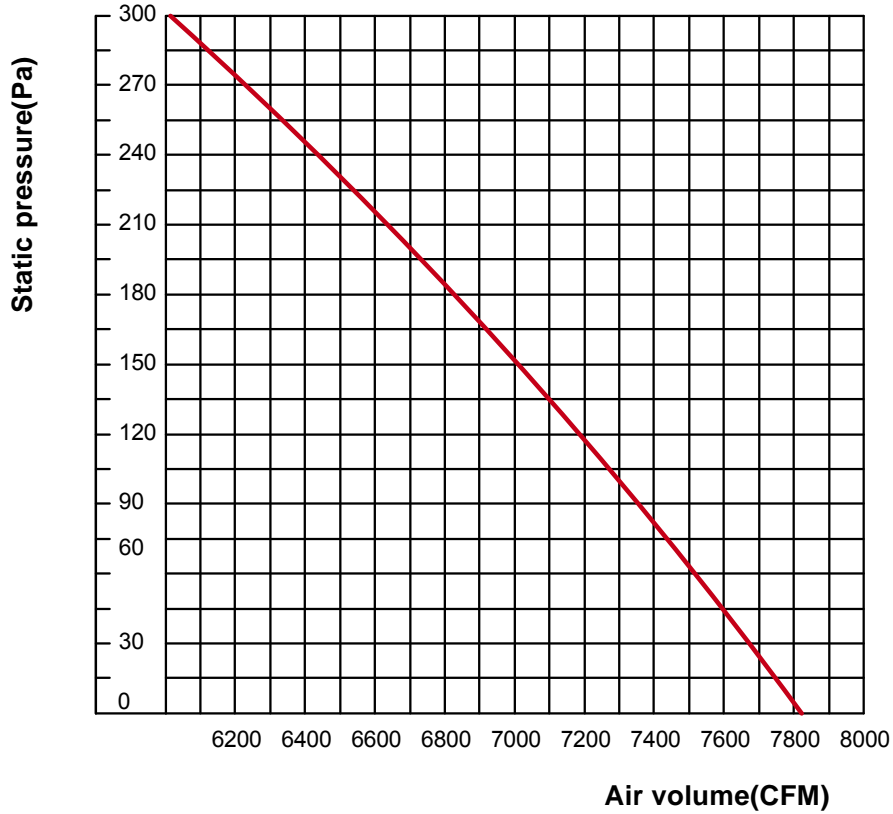
Model	Static pressure (Pa)	Air flow (CFM)	Brake power (kW)	Fan speed (rpm)
15Ton	0	11000	0.78×2	935
	10	9800	0.79×2	926
	20	9600	0.80×2	918

11.8 Model: 17.5Ton

Parameter table for indoor unit air volume:

Static pressure (Pa)	0	25	50	75	100	125	150	175	200	225	250	275	300
Air flow (CFM)	7858	7712	7546	7392	7271	7091	6977	6836	6680	6534	6354	6178	6020
Brake power (kW)	5.76	5.66	5.57	5.36	5.3	5.14	5.05	4.88	4.78	4.67	4.55	4.37	4.12
Fan speed (rpm)	1019	1020	1020	1021	1022	1022	1023	1024	1025	1025	1026	1027	1030

Curve diagram of static pressure, air flow volume:



Parameter table for outdoor unit air volume:

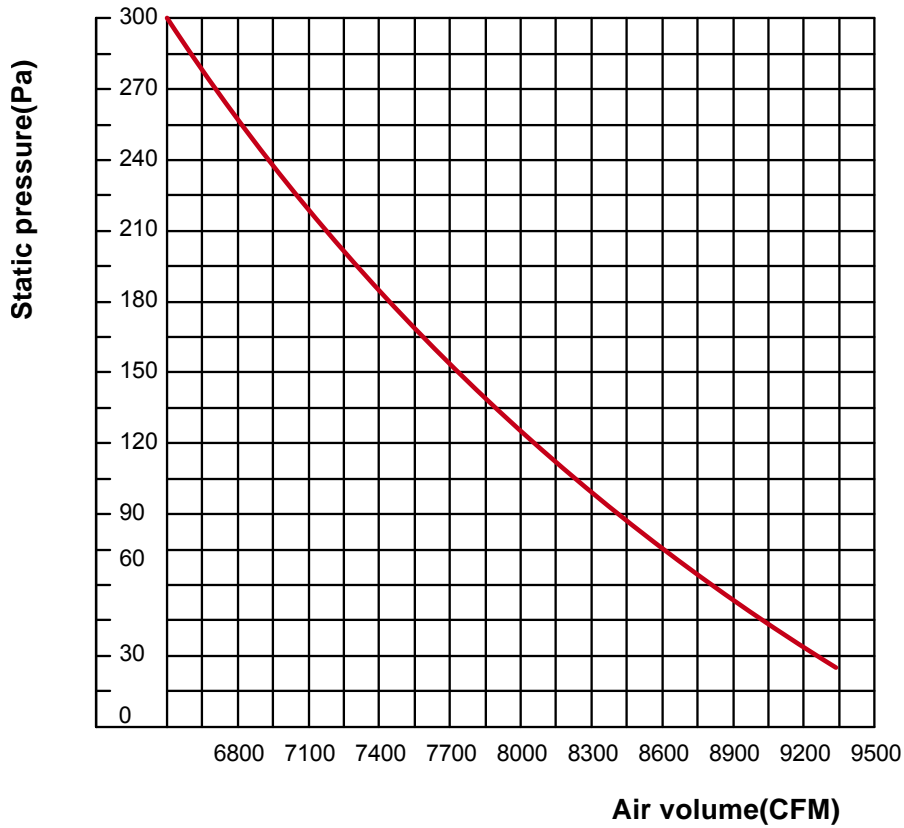
Model	Static pressure (Pa)	Air flow (CFM)	Brake power (kW)	Fan speed (rpm)
17.5Ton	0	11000	0.78×2	935
	10	9800	0.79×2	926
	20	9600	0.80×2	918

11.9 Model: 20Ton

Parameter table for indoor unit air volume:

Static pressure (Pa)	25	50	75	100	125	150	200	250	300
Air flow (CFM)	9296	8782	8452	8289	8179	7826	7388	6955	6555
Brake power (kW)	5.86	5.73	5.59	5.44	5.50	5.27	4.98	4.66	4.32
Fan speed (rpm)	818	819	819	820	820	821	822	823	825

Curve diagram of static pressure, air flow volume:



Parameter table for outdoor unit air volume:

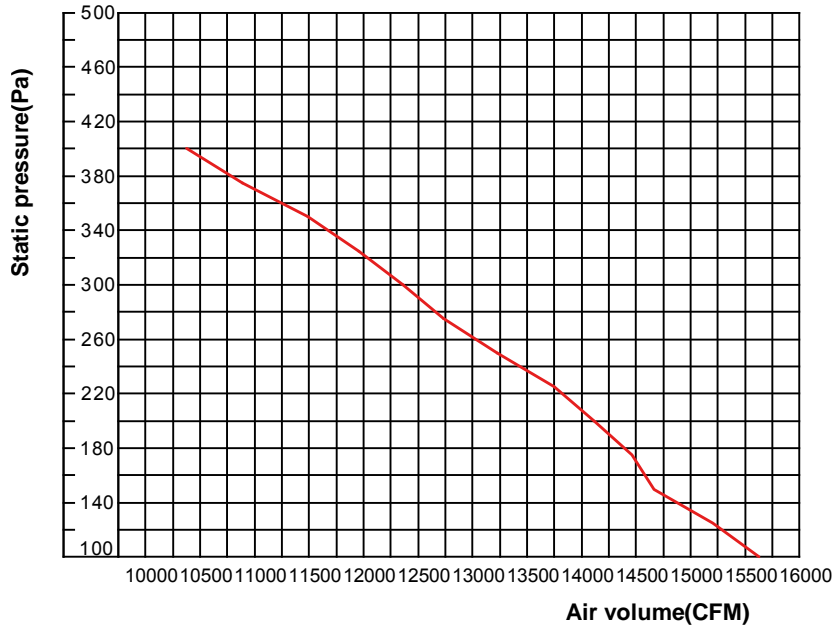
Model	Static pressure (Pa)	Air flow (CFM)	Brake power (kW)	Fan speed (rpm)
20Ton	0	14000	1.3×2	940
	10	13500	1.4×2	938
	20	13100	1.5×2	930

11.10 Model: 30Ton

Parameter table for indoor unit air volume:

Static pressure (Pa)	150	175	200	225	250	275	300	325	350
Air flow (CFM)	14664	14464	14119	13743	13230	12729	12365	11957	11489
Brake power (kW)	8.91	8.59	8.30	8.01	7.71	7.40	7.07	6.74	6.39
Fan speed (rpm)	775	775	776	777	778	779	780	782	782

Curve diagram of static pressure, air flow volume:



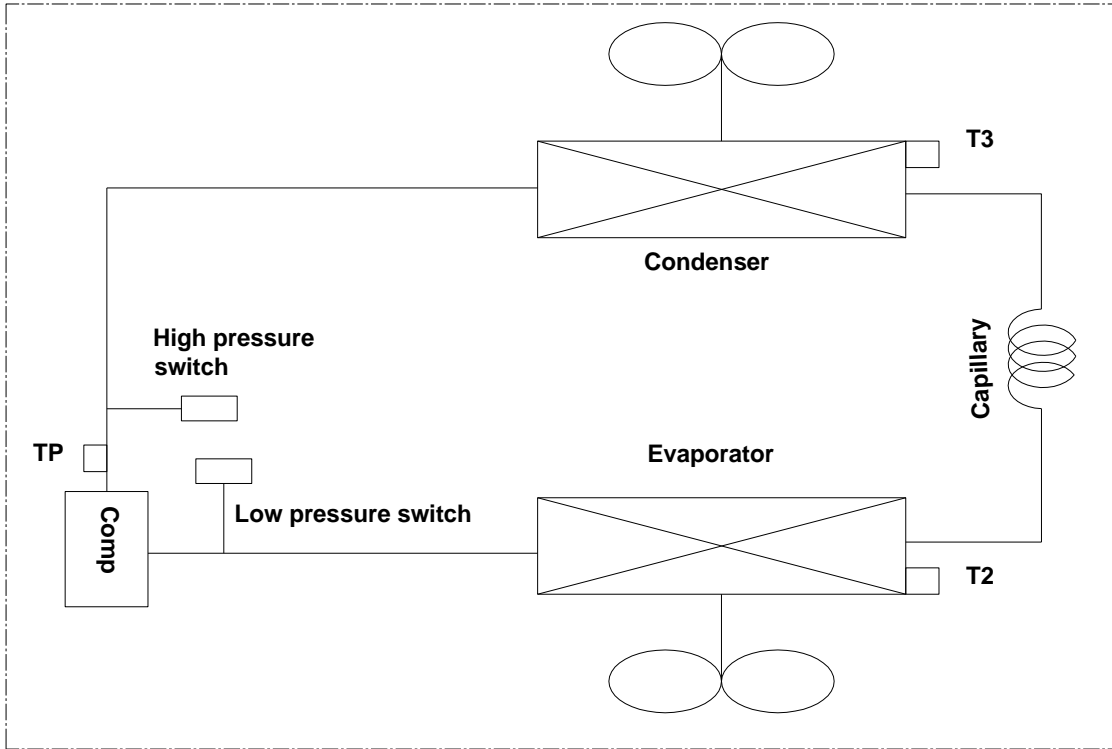
Parameter table for outdoor unit air volume:

Model	Static pressure (Pa)	Air flow (CFM)	Brake power (kW)	Fan speed (rpm)
30Ton	0	14000	1.3×2	940
	10	13500	1.4×2	938
	20	13100	1.5×2	930

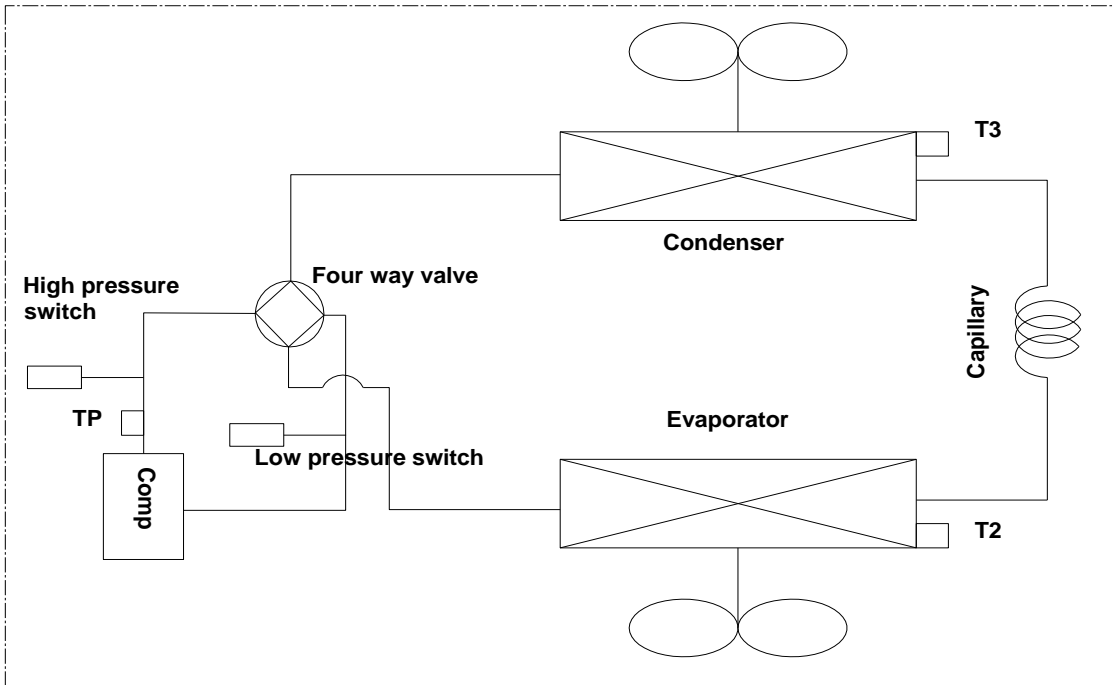
12. Refrigerant Cycle Diagram

12.1 5,6.2,7.5,8.5,10 ton:

Cooling, Cooling+EAH type



Cooling and Heating type:



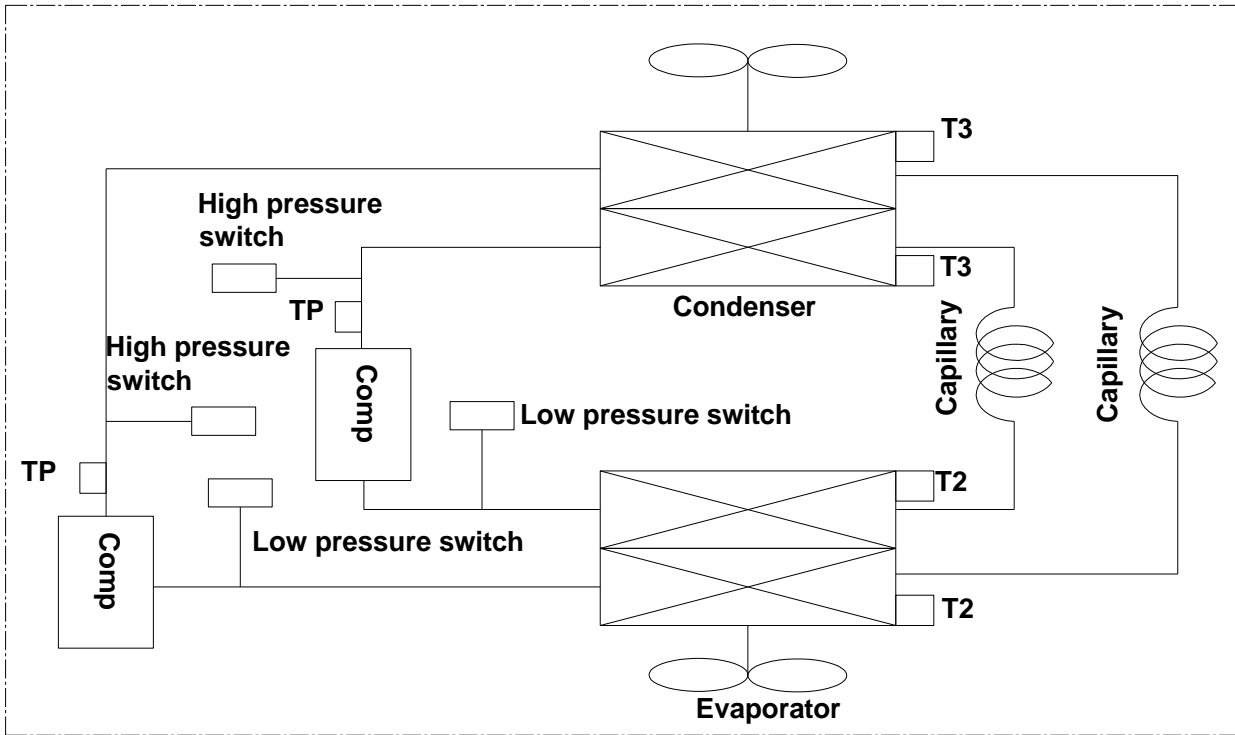
TP: Compressor discharge temperature sensor in system

T2: Indoor coil temperature sensor in system

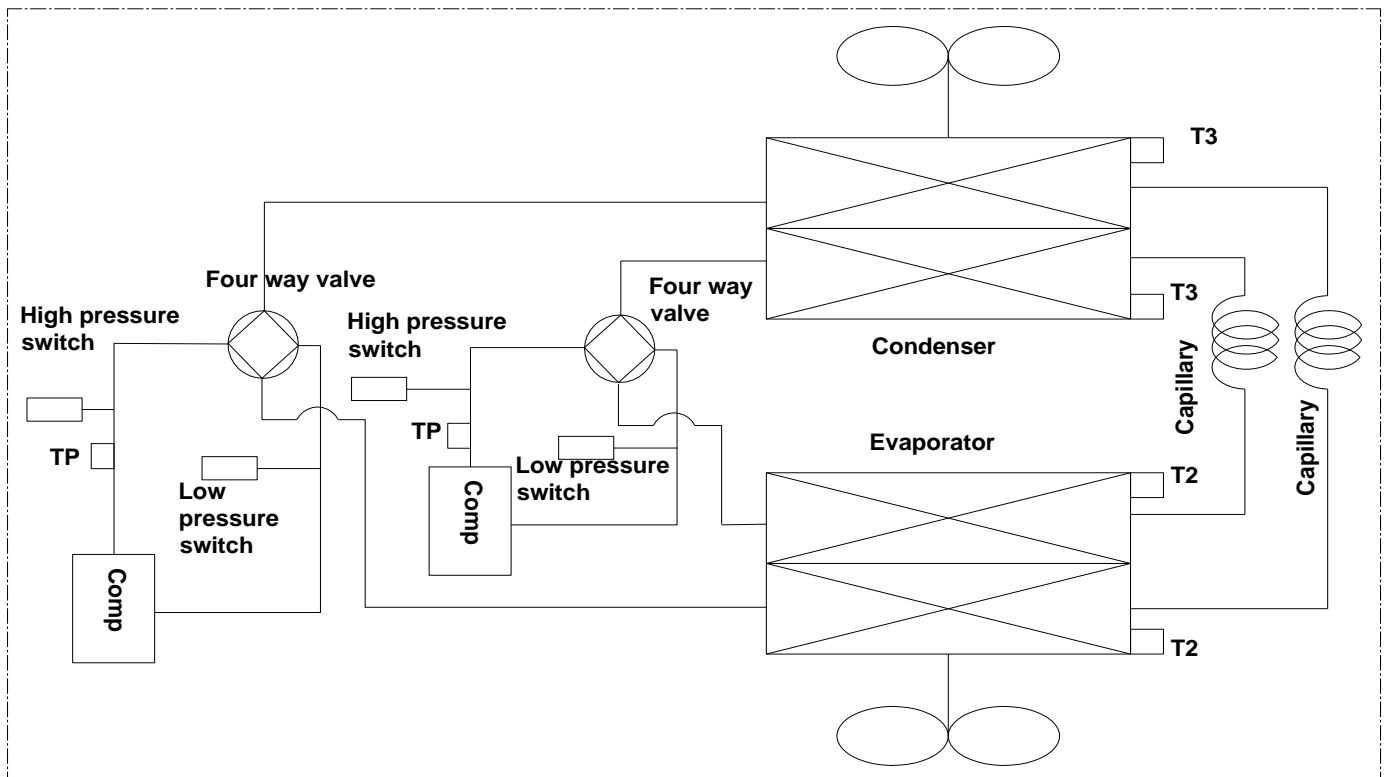
T3: Outdoor coil temperature sensor in system

12.2 12.5,15,17.5,20,30 ton:

Cooling, Cooling+EAH type



Cooling and Heating type:



TP: Compressor discharge temperature sensor in system A and B

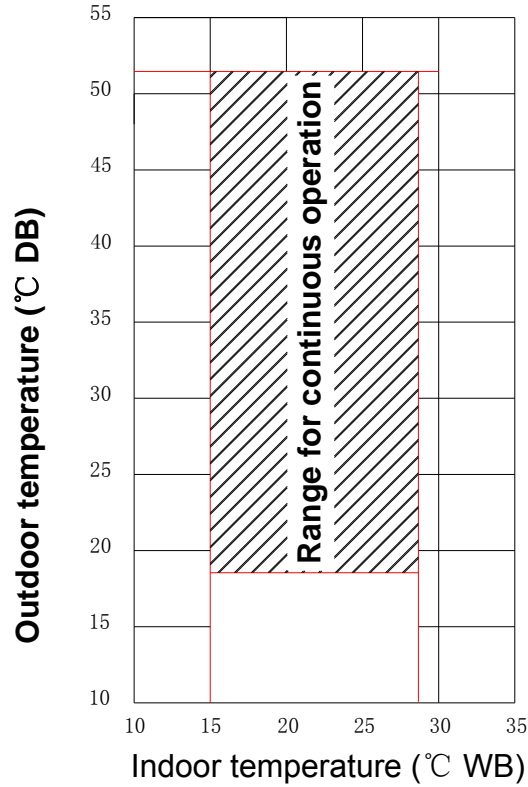
T2: Indoor coil temperature sensor in system A and B

T3: Outdoor coil temperature sensor in system A and B

13. Operation Limit

13.1 Cooling only and cooling with auxiliary heater

Cooling



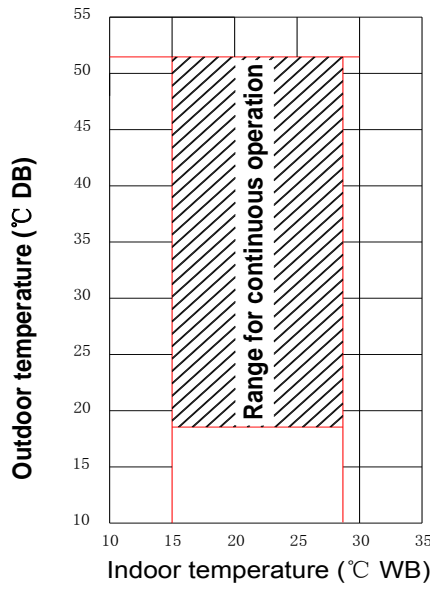
Model	Temperature	Outdoor temperature	Indoor temperature
Cooling mode		18°C ~ 52°C	17°C ~ 30°C
With auxiliary electric heater models		--	17°C ~ 30°C

Note:

Room relative humidity less than 80% . If the unit operates in excess of this figure, the surface of the unit may attract condensation.

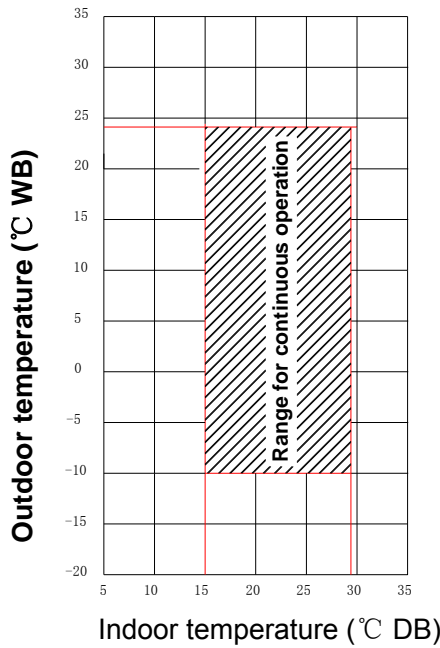
13.2 Cooling and heating

Cooling mode



Mode	Temperature	Outdoor temperature	Indoor temperature
Cooling mode		18°C ~ 52°C	17°C ~ 30°C

Heating mode



Mode	Temperature	Outdoor temperature	Indoor temperature
Heating mode		-10°C ~ 24°C	17°C ~ 30°C

Note:

Room relative humidity less than 80% . If the unit operates in excess of this figure, the surface of the unit may attract condensation.



Air Conditioning Systems

Cooling & Heating

TRUST AIR-CONDITIONING EQUIPMENT CO.

Shiraz office: 8 th floor, Alvand Bldg., Dostan St.,
Moaliabad Ave., SHIRAZ, IRAN., Post code: 71877-14446

Tel.: +98-71-36341070

Fax.: +98-71-36341094

Tehran office: No. 19- koohe nour St.- Motahhari St.-
TEHRAN, IRAN., Post code: 15876-73111

Tel.: +98-21-89389

Fax.: +98-21-88541903

Ahwaz office: No. 309- Kaveh St.- AHWAZ, IRAN., Post code: 61939-
47911

Tel.: +98-61-32230647-8

Fax.: +98-61-32230647

E-mail: info@trustacs.com

Web site: <http://www.trustacs.com>

برند برتر در اولین جشنواره بین المللی
برترین نام و نشان های تجاری ایران

