

FAN COIL UNIT (FOUR WAY CASSETTE)



TRUST AIR CONDITIONING EQUIPMENT CO.
Prepared By: Engineering & R & D Department.

Content

1. PRODUCT SCHEDULE	- 2 -
2. EXTERNAL APPEARANCE	- 2 -
3. FEATURES	- 3 -
4. SPECIFICATIONS	- 4 -
5. DIMENSION	- 7 -
6. SOUND LEVELS	- 8 -
7. SERVICE SPACE	- 9 -
8. WIRING DIAGRAM	- 10 -
9. CAPACITY TABLES	- 13 -
10. EXPLODED VIEW	- 25 -

توجه:

شرکت تراست حق تغییر مشخصات دستگاه‌ها را در جهت بهبود و ارتقای کیفیت برای خود محفوظ می‌دارد.

2016

1. Product Schedule

Series	Model		Air volume (CFM)	Power supply	Auxiliary Electrical Heater
	Old code	New code			
Four-way Cassette	TMFCC4-600	RB02-TMC4N06N2R/1N	600	220~240V-1Ph-50Hz	Without
	TMFCC4-750	RB02-TMC4N7.5N2R/1N	750		
	TMFCC4-850	RB02-TM C4N8.5N2R/1N	850		
	TMFCC4-950	RB02-TM C4N9.5N2R/1N	950		
	TMFCC4-1200	RB02-TM C4N12N2R/1N	1200		
	TMFCC4-1500	RB02-TM C4N15N3R/1N	1500		
Compact Four-way Cassette	TMFCC4-300	RB02-TM C4N03N2R/1N	300	220~240V-1Ph-50Hz	Without
	TMFCC4-400	RB02-TM C4N04N2R/1N	400		
	TMFCC4-500	RB02-TM C4N05N2R/1N	500		

2. External appearance

Four-way Cassette:



Compact Four-way Cassette:



3. Features

- Wide capacity range, for four-way cassette units, from 600CFM to 1500CFM, for compact four-way units, from 300CFM to 500CFM.
- 4-way air supply panel is standard for four-way cassette; 360° air supply panel is standard for compact four-way cassette.



- Unique design of the centrifugal fan ensures extra-quiet operation and high efficiency.
- Remote controller with LED display, wired controller is optional.
- Safety grill for safety maintenance.



- Built in drain water pump. For four-way cassette, the pump head is 750mm; for compact four-way cassette, the pump head is 500mm.
- Optional extended drainage pan for protecting your ceiling better.
- Four speed motor with one reserved for more choice.
- Fresh air provision makes life healthier and more comfortable.



4. Specifications

Model			TMFCC4-600	TMFCC4-750	TMFCC4-850
Air Volume	High	m ³ /h	1000	1250	1400
		CFM	590	740	820
	Med	m ³ /h	850	1060	1190
		CFM	500	620	700
	Low	m ³ /h	720	900	1010
		CFM	420	530	590
Cooling Capacity (Hi/Med/Lo)		kW	5.7/4.73/3.96	7.0/5.62/4.72	7.27/6.46/5.71
Heating Capacity (Hi/Med/Lo)		kW	9.66/7.72/6.27	11.55/9.24/7.51	12.42/9.93/8.07
Electrical Auxiliary Heater (EAH)		W	2100	2100	2850
Power Input		W	125	130	150
Noise (Hi/Med/Lo)		dB(A)	45/41/36	46/42/37	47/43/38
Water Flow		L/min	16.4	20	20.8
Water Pressure Drop		kPa	23.8	25.2	27
Fan Motor	Type	\	Low noise 4-speed fan motor		
	Model	\	YDK80-6E	YDK80-6E	YDK90-6E
	Brand	\	Welling	Welling	Welling/Dayang
	Capacitor	μF	3.5		
	Quantity	\	1		
Fan	Type	\	Centrifugal, forward-curved Blades		
	Quantity	\	1		
Coil	Diameter	mm	Φ7		
	Row	\	2	2	2
	Tube pitch(a) x row pitch(b)	mm	21×13.37		
	Fin spacing	mm	1.5		
	Fin type	\	Hydrophilic aluminum		
	Coil length x height x width	mm	1960×168×26.74	1960×168×26.74	1960×252×26.74
	Max. Working Pressure	MPa	1.6		
	Circuit	\	8	8	12
Panel	Net Dimension (W×H×D)	mm	950×45×950		
	Net Weight	kg	6		
	Packing Size (W×H×D)	mm	1035×90×1035		
	Gross Weight	kg	9		
Indoor Unit	Net Dimension (W×H×D)	mm	840×230×840	840×230×840	840×300×840
	Net Weight (without/with EAH)	kg	25/27	25/27	30.5/33
	Packing Size (W×H×D)	mm	900×237×900	900×237×900	900×307×900
	Gross Weight (without/with EAH)	kg	30/32	30/32	36.2/39
Pipe Connection	Water-inlet/outlet pipe	inch	RC3/4"		
	Drain pipe	mm	ODΦ32		

Note: 1. The data is the performance in high speed with relevant static pressure.

2. Cooling Conditions: Entering Water 7°C, Temperature Rise 5°C, Entering Air Temperature 27°C DB, 19°C WB.

Heating Conditions: Entering Water 50°C, Enter Air Temperature 20°C, water flow is same to the cooling conditions.

3. Noise is tested in full-anechoic test room.

Specifications

Model			TMFCC4-900	TMFCC4-1200	TMFCC4-1500
Air Volume	High	m ³ /h	1600	2000	2550
		CFM	940	1180	1500
	Med	m ³ /h	1360	1700	2170
		CFM	800	1000	1280
	Low	m ³ /h	1150	1440	1840
		CFM	680	850	1080
Cooling Capacity (Hi/Med/Lo)		kW	8.22/7.39/6.54	10.39/9.25/8.2	12.9/11.51/10.21
Heating Capacity (Hi/Med/Lo)		kW	13.85/11.08/9	17.58/14.06/11.42	17.6/14.08/11.44
Electrical Auxiliary Heater (EAH)		W	2850	2850	/
Power Input		W	155	190	190
Noise (Hi/Med/Lo)		dB(A)	48/44/39	49/45/40	50/46/41
Water Flow		L/min	23.6	29.8	36.9
Water Pressure Drop		kPa	31.2	44	40
Fan Motor	Type	\	Low noise 4-speed fan motor		
	Model	\	YDK90-6E	YDK90-6E	YDK90-6E-1
	Brand	\	Welling/Dayang	Welling/Dayang	Welling/Dayang
	Capacitor	μF	3.5		
	Quantity	\	1		
Fan	Type	\	Centrifugal, forward-curved Blades		
	Quantity	\	1		
Coil	Diameter	mm	Φ7		
	Row	\	2	2	3
	Tube pitch(a) x row pitch(b)	mm	21×13.37		
	Fin spacing	mm	1.5		
	Fin type	\	Hydrophilic aluminum		
	Coil length x height x width	mm	1960×252×26.74	1960×252×26.74	2080×252×40.11
	Max. Working Pressure	MPa	1.6		
	Circuit	\	12	12	12
Panel	Net Dimension (W×H×D)	mm	950×45×950		
	Net Weight	kg	6		
	Packing Size (W×H×D)	mm	1035×90×1035		
	Gross Weight	kg	9		
Indoor Unit	Net Dimension (W×H×D)	mm	840×300×840		
	Net Weight (without/with EAH)	kg	30.5/33	30.5/33	35
	Packing Size (W×H×D)	mm	900×307×900		
	Gross Weight (without/with EAH)	kg	36.2/39	36.2/39	41
Pipe Connection	Water-inlet pipe	inch	RC3/4"		
	Water-outlet pipe	inch	RC3/4"		
	Drain pipe	mm	ODΦ32		

Note: 1. The data is the performance in high speed with relevant static pressure.

2. Cooling Conditions: Entering Water 7°C, Temperature Rise 5°C, Entering Air Temperature 27°C DB, 19°C WB.

Heating Conditions: Entering Water 50°C, Enter Air Temperature 20°C, water flow is same to the cooling conditions.

3. Noise is tested in full-anechoic test room.

Specifications

Model			TMFCC4-300	TMFCC4-400	TMFCC4-500
Air Volume	High	m ³ /h	510	680	850
		CFM	300	400	500
	Med	m ³ /h	440	580	730
		CFM	260	340	430
	Low	m ³ /h	360	480	600
		CFM	210	280	350
Cooling Capacity (Hi/Med/Lo)		kW	3/2.58/2.16	3.7/3.18/2.66	4.5/3.6/3.06
Heating Capacity (Hi/Med/Lo)		kW	4/3.5/3.08	5.1/4.3/3.83	6/4.76/4.07
Power Input		W	50	70	95
Noise (Hi/Med/Lo)		dB(A)	36/33/28	42/39/32	45/42/34
Water Flow		L/min	8.7	10.7	12.9
Water Pressure Drop		kPa	14	15	16
Fan Motor	Type	\	Low noise 4-speed fan motor		
	Model	\	YDK15-6P	YDK37-4P	YDK37-4P
	Brand	\	Welling		
	Capacitor	\	1.5	2	2.5
	Quantity	\	1		
Fan	Type	\	Centrifugal, forward-curved Blades		
	Quantity	\	1		
Coil	Diameter	mm	Φ7		
	Row	\	2		
	Tube pitch(a) x row pitch(b)	\	21×13.37		
	Fin spacing	\	1.3		
	Fin type	\	Hydrophilic aluminum		
	Length x Height x Width	\	1315×210×26.74	1315×210×26.74	1315×210×26.74
	Max. Working Pressure	MPa	1.6		
	Circuit	\	5	6	7
Panel	Net Dimension (W×H×D)	mm	647×50×647		
	Net Weight	kg	3		
	Packing Size (W×H×D)	mm	715×123×715		
	Gross Weight	kg	5		
Indoor Unit	Net Dimension (W×H×D)	mm	575×261×575		
	Net Weight	kg	16.5		
	Packing Size (W×H×D)	mm	655×290×655		
	Gross Weight	kg	20		
Pipe Connection	Water-inlet pipe	inch	RC3/4"		
	Water-outlet pipe	inch	RC3/4"		
	Drain pipe	mm	ODΦ25		

Note: 1. The data is the performance in high speed with relevant static pressure.

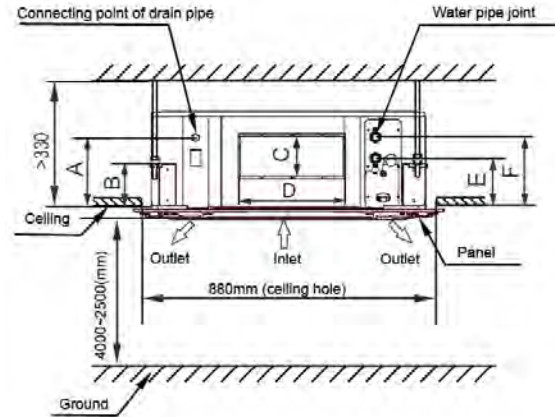
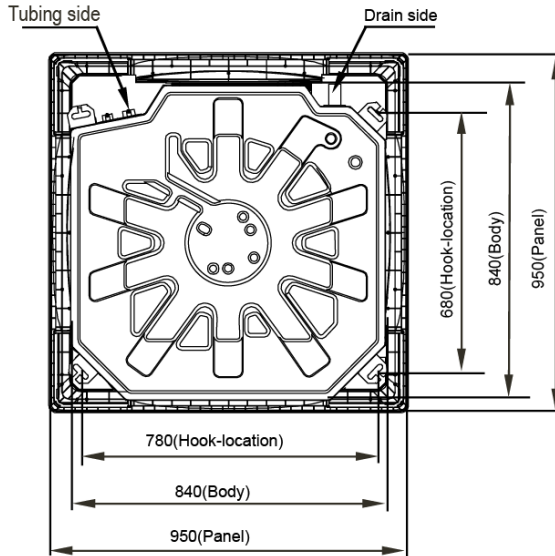
2. Cooling Conditions: Entering Water 7°C, Temperature Rise 5°C, Entering Air Temperature 27°C DB, 19°C WB.

Heating Conditions: Entering Water 50°C, Enter Air Temperature 20°C, water flow is same to the cooling conditions.

3. Noise is tested in full-anechoic test room.

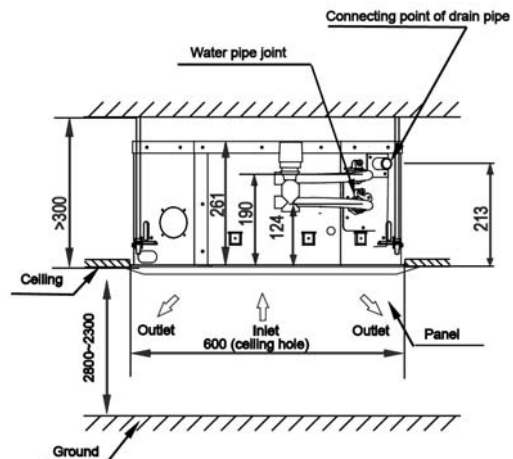
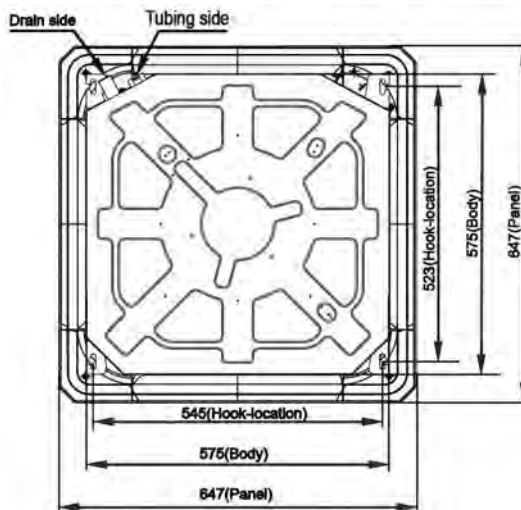
5. Dimension

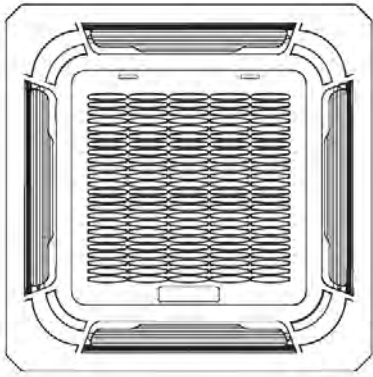
Four-way Cassette:



Model	A	B	C	D	E	F
600CFM, 750CFM	180	140	85	350	145	195
850CFM, 950CFM, 1200CFM, 1500CFM	180	140	155	350	155	205

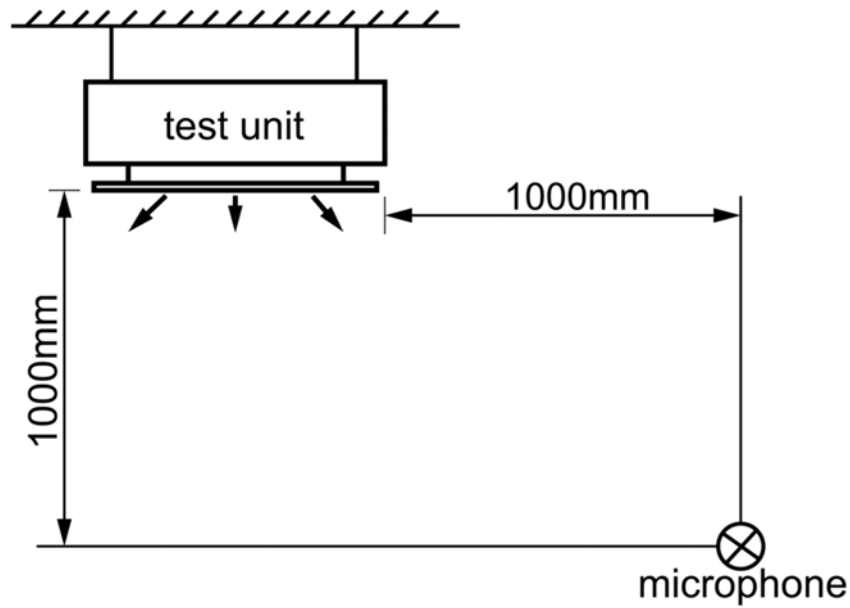
Compact Four-way cassette:





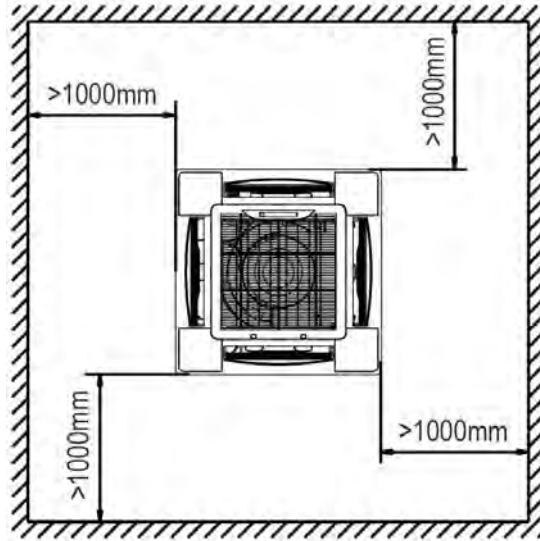
H=45mm (Four-way cassette)
H=50mm (Compact four-way cassette)

6. Sound Levels



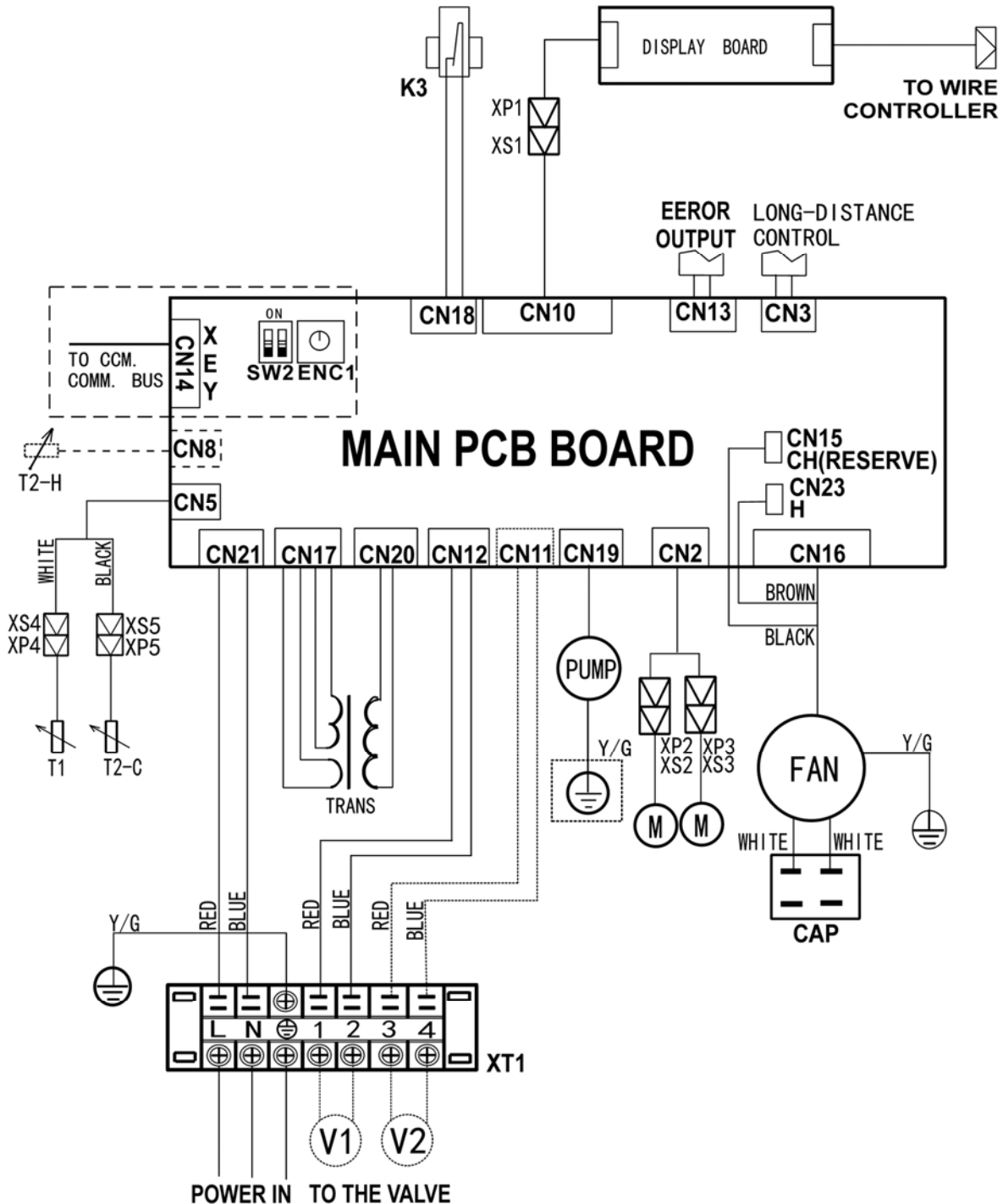
Series	Model	Sound pressure level under three fan speed [dB(A)]		
		H	M	L
Four-way Cassette	TMFCC4-600	45	41	36
	TMFCC4-750	46	42	37
	TMFCC4-850	47	43	28
	TMFCC4-950	48	44	39
	TMFCC4-1200	49	45	40
	TMFCC4-1500	50	46	41
Compact Four-way Cassette	TMFCC4-300	36	33	28
	TMFCC4-400	42	39	32
	TMFCC4-500	45	42	34

7. Service Space



8. Wiring Diagram

Four-way Cassette: TMFCC4-600, TMFCC4-750, TMFCC4-850, TMFCC4-950, TMFCC4-1200, TMFCC4-1500



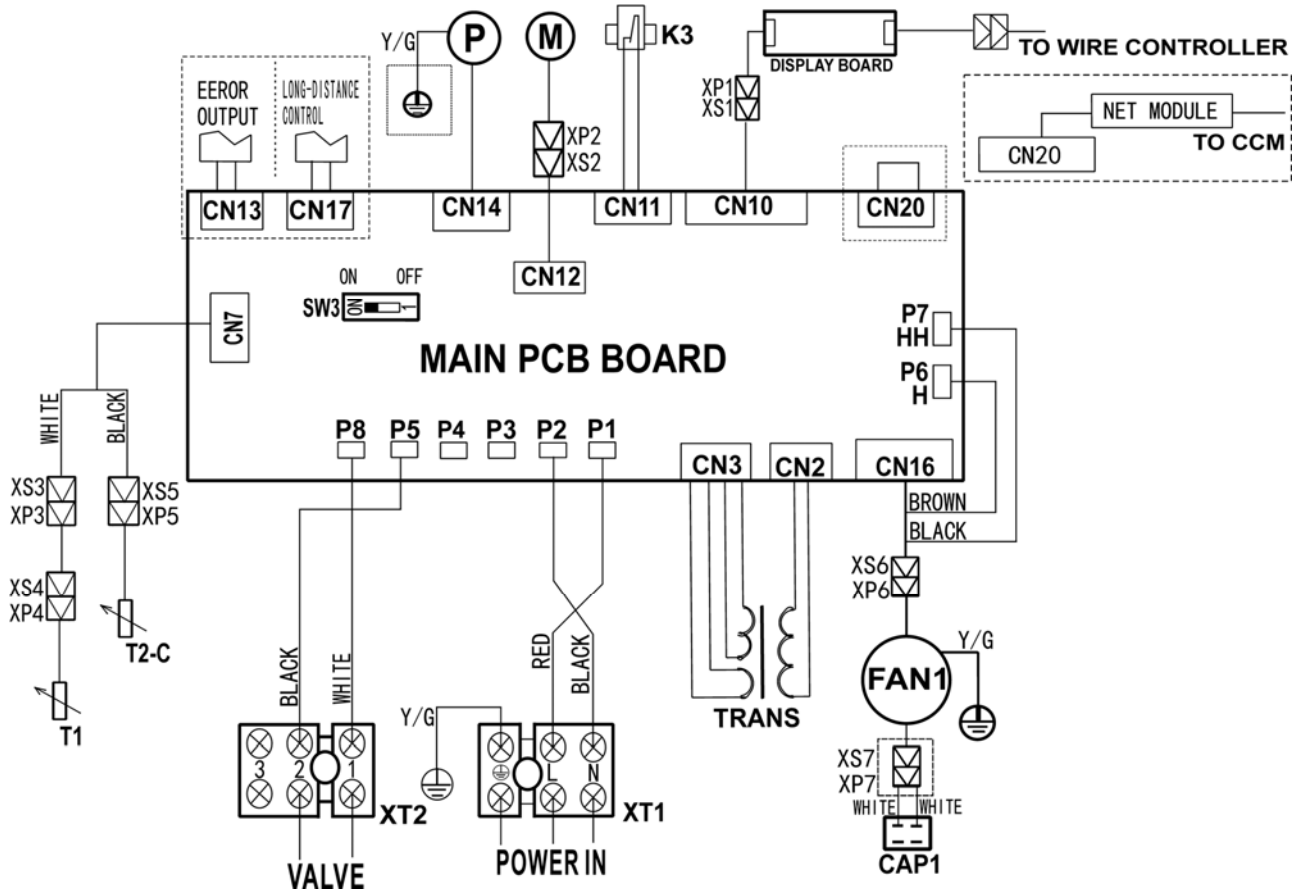
Notes:

- The CN3 port is closed that remote shutdown, all control is invalid;
The CN3 port open remote start, reply to this port closed state.
- Two control models is only connected with a vale (the cold water valve).
Four control models are respectively connected with the cold water valve and the hot water valve.

CODE	PART NAME
CAP	INDOOR FAN CAP
TRANS	TRANSFORMER
FAN	INDOOR FAN
K3	WATER LEVEL SWITCH
M	SWING MOTOR
PUMP	PUMP
T1	ROOM TEMP. SENSOR
T2-C, T2-H	PIPE TEMP. SENSOR
XP1~5, XS1~5	CONNECTOR
V1	THE COLD WATER VALVE
V2	THE HOT WATER VALVE
XT1	7-WAY TERMINAL

ENC1 SW2	SWITCH	FOR NETWORK ADDRESS SETTING
<p>"0~F" of the ENC1 and "ON/OFF" of the SW2, the different position represents a different address, consisting of 64 addresses (00~63).</p>		

Compact Four-way Cassette: TMFCC4-300, TMFCC4-400, TMFCC4-500



Note: If you need to access long-distance control, set **SW3** to **OFF**.

CODE	PART NAME
CAP1	INDOOR FAN CAPACITY
CN1~20, P1~8	P.C BOARD SOCKETS
TRANS	POWER TRANSFORMER
FAN1	INDOOR FAN MOTOR
K3	WATER LEVEL SWITCH
M	SWING MOTOR
P	PUMP
T1	ROOM TEMPERATURE SENSOR
T2-C	PIPE TEMPERATURE SENSOR
XP1~7	CONNECTORS
XS1~7	CONNECTORS
XT1~2	3-WAY TERMINAL
SW2, SW3	SWITCH

9. Capacity Tables

Cooling Capacity:

EWT: Enter Water Temp. (°C) Δt: Temperature Difference (°C) DB: Dry Bulb Temp. (°C)
 WB: Wet Bulb Temp. (°C) TC: Total Cooling Capacity (kW) SC: Sensible Cooling Capacity (kW)
 WF: Water Flow (m³/h) WPD: Water Pressure Drop (kPa)

Four-way cassette

TMFCC4-600																					
EWT	Δt	Air inlet condition																			
		DB: 26.7 WB: 19.4				DB: 27 WB: 18				DB: 27 WB: 19				DB: 27 WB: 20				DB: 29 WB: 21			
		TC	SC	WF	WPD	TC	SC	WF	WPD	TC	SC	WF	WPD	TC	SC	WF	WPD	TC	SC	WF	WPD
5	3	7.26	4.38	2.08	107.3	6.66	4.81	1.91	90.3	7.11	4.56	2.04	103.0	7.53	4.37	2.16	115.3	7.95	4.17	2.28	128.5
	4	6.98	4.24	1.50	55.8	6.42	4.66	1.38	47.1	6.87	4.43	1.48	54.0	7.27	4.24	1.56	60.5	7.63	4.03	1.64	66.7
	5	6.68	4.10	1.15	32.7	6.11	4.56	1.05	27.4	6.55	4.29	1.13	31.4	6.98	4.09	1.20	35.7	7.34	6.34	1.26	39.4
	6	6.38	3.98	0.91	20.7	5.82	4.40	0.83	17.2	6.26	4.15	0.90	19.9	6.70	3.93	0.96	22.8	7.02	3.73	1.01	25.0
	7	6.07	3.79	0.75	13.8	5.49	4.29	0.68	11.3	5.93	4.01	0.73	13.1	6.37	3.79	0.78	15.2	6.72	3.59	0.83	16.9
6	3	6.85	4.20	1.96	95.5	6.24	4.63	1.79	79.3	6.70	4.38	1.92	91.2	7.13	4.18	2.04	103.5	7.54	3.98	2.16	115.8
	4	6.58	4.05	1.41	49.6	5.96	4.48	1.28	40.7	6.42	4.24	1.38	47.2	6.85	4.05	1.47	53.7	7.24	3.85	1.56	60.0
	5	6.26	3.91	1.08	28.7	5.69	4.36	0.98	23.7	6.14	4.11	1.06	27.6	6.54	3.87	1.12	31.3	6.95	3.70	1.20	35.4
	6	5.96	3.79	0.85	18.1	5.40	4.21	0.77	14.8	5.82	3.96	0.83	17.3	6.26	3.73	0.90	19.9	6.60	3.54	0.95	22.2
	7	5.65	3.62	0.69	11.9	5.06	4.10	0.62	9.6	5.51	3.85	0.68	11.4	5.91	3.60	0.73	13.0	6.31	3.39	0.78	14.9
7	3	6.40	4.00	1.83	83.3	5.81	4.45	1.66	68.6	6.26	4.20	1.79	79.7	6.72	3.99	1.93	91.9	7.10	3.78	2.03	102.5
	4	6.14	3.86	1.32	43.1	5.50	4.35	1.18	34.7	5.97	4.06	1.28	40.8	6.42	3.86	1.38	47.1	6.82	3.66	1.47	53.2
	5	5.82	3.72	1.00	24.8	5.22	4.21	0.90	20.0	5.70	3.92	0.98	23.8	6.11	3.68	1.05	27.4	6.49	3.51	1.12	30.9
	6	5.52	3.61	0.79	15.5	4.92	4.08	0.71	12.3	5.42	3.78	0.78	15.0	5.83	3.55	0.84	17.3	6.19	3.36	0.89	19.5
	7	5.22	3.45	0.64	10.2	4.59	3.93	0.56	7.9	5.05	3.67	0.62	9.5	5.49	3.43	0.67	11.3	5.86	3.22	0.72	12.9
8	3	5.96	3.82	1.71	72.4	5.32	4.29	1.53	57.6	5.82	4.01	1.67	69.0	6.27	3.78	1.80	79.9	6.67	3.58	1.91	90.5
	4	5.70	3.69	1.23	37.2	5.06	4.15	1.09	29.3	5.53	3.92	1.19	35.0	5.96	3.66	1.28	40.7	6.35	3.47	1.37	46.2
	5	5.41	3.54	0.93	21.5	4.75	4.03	0.82	16.5	5.25	3.75	0.90	20.2	5.69	3.53	0.98	23.7	6.08	3.33	1.05	27.1
	6	5.06	3.43	0.73	13.0	4.44	3.92	0.64	10.0	4.96	3.62	0.71	12.5	5.40	3.37	0.77	14.8	5.77	3.17	0.83	17.0
	7	4.76	3.27	0.59	8.5	4.12	3.76	0.51	6.4	4.61	3.50	0.57	8.0	5.05	3.24	0.62	9.5	5.40	3.04	0.66	10.9
9	3	5.54	3.65	1.59	62.5	4.88	4.13	1.40	48.4	5.39	3.83	1.54	59.1	5.85	3.59	1.68	69.6	6.23	3.41	1.78	78.9
	4	5.23	3.52	1.12	31.3	4.59	4.01	0.99	24.1	5.07	3.72	1.09	29.5	5.51	3.50	1.18	34.8	5.91	3.28	1.27	39.9
	5	4.95	3.37	0.85	18.0	4.24	3.92	0.73	13.2	4.80	3.59	0.82	16.8	5.22	3.35	0.90	20.0	5.62	3.13	0.97	23.1
	6	4.62	3.25	0.66	10.9	3.92	3.79	0.56	7.8	4.46	3.48	0.64	10.1	4.94	3.19	0.71	12.4	5.32	2.99	0.76	14.4
	7	4.28	3.09	0.53	6.8	3.66	3.66	0.45	5.0	4.13	3.32	0.51	6.4	4.57	3.09	0.56	7.8	4.95	2.85	0.61	9.2
10	3	5.08	3.46	1.46	52.6	4.38	3.97	1.25	39.0	4.88	3.69	1.40	48.4	5.37	3.45	1.54	58.7	5.79	3.22	1.66	68.2
	4	4.77	3.33	1.03	26.1	4.05	3.89	0.87	18.7	4.61	3.57	0.99	24.3	5.07	3.31	1.09	29.5	5.45	3.10	1.17	34.0
	5	4.46	3.22	0.77	14.6	3.79	3.79	0.65	10.5	4.27	3.45	0.73	13.4	4.75	3.18	0.82	16.6	5.17	2.96	0.89	19.5
	6	4.15	3.08	0.60	8.8	3.59	3.59	0.52	6.6	3.96	3.32	0.57	8.0	4.44	3.01	0.64	10.0	4.83	2.81	0.69	11.9
	7	3.79	2.95	0.47	5.4	3.38	3.38	0.42	4.3	3.61	3.20	0.44	4.9	4.07	2.92	0.50	6.2	4.52	2.67	0.55	7.6
11	3	4.59	3.31	1.32	42.9	3.89	3.89	1.12	30.8	4.43	3.52	1.27	39.8	4.89	3.29	1.40	48.6	5.32	3.05	1.53	57.6
	4	4.30	3.19	0.92	21.2	3.70	3.70	0.80	15.7	4.13	3.39	0.89	19.5	4.60	3.13	0.99	24.2	5.03	2.93	1.08	28.9
	5	3.97	3.07	0.68	11.6	3.52	3.52	0.61	9.1	3.79	3.31	0.65	10.5	4.28	3.00	0.74	13.4	4.70	2.79	0.81	16.2
	6	3.62	2.94	0.52	6.7	3.30	3.30	0.47	5.5	3.48	3.16	0.50	6.2	3.95	2.90	0.57	7.9	4.36	2.65	0.62	9.7
	7	3.22	2.84	0.40	3.9	3.11	3.11	0.38	3.6	3.11	3.11	0.38	3.6	3.58	2.76	0.44	4.8	4.01	2.49	0.49	6.0
12	3	4.10	3.15	1.18	34.3	3.60	3.60	1.03	26.4	3.91	3.40	1.12	31.1	4.43	3.10	1.27	39.8	4.84	2.89	1.39	47.6
	4	3.80	3.04	0.82	16.5	3.43	3.43	0.74	13.5	3.61	3.28	0.78	14.9	4.11	2.99	0.88	19.4	4.55	2.76	0.98	23.7
	5	3.47	2.94	0.60	8.8	3.28	3.28	0.56	7.9	3.29	3.17	0.57	7.9	3.79	2.88	0.65	10.5	4.22	2.63	0.73	13.0
	6	3.08	2.84	0.44	4.8	3.05	3.05	0.44	4.7	3.05	2.99	0.44	4.7	3.44	2.76	0.49	6.0	3.87	2.48	0.55	7.6
	7	2.73	2.73	0.34	2.8	2.84	2.84	0.35	3.0	2.81	2.81	0.35	3.0	3.00	2.62	0.37	3.4	3.51	2.34	0.43	4.6
13	3	3.59	3.01	1.03	26.2	3.32	3.32	0.95	22.5	3.38	3.27	0.97	23.3	3.90	2.95	1.12	30.9	4.36	2.72	1.25	38.7
	4	3.28	2.90	0.71	12.3	3.17	3.17	0.68	11.5	3.17	3.11	0.68	11.5	3.59	2.88	0.77	14.7	4.05	2.59	0.87	18.7
	5	2.93	2.86	0.50	6.3	2.95	2.95	0.51	6.4	2.96	2.96	0.51	6.4	3.27	2.74	0.56	7.9	3.73	2.47	0.64	10.2
	6	2.66	2.66	0.38	3.6	2.76	2.76	0.39	3.9	2.76	2.76	0.39	3.9	2.89	2.64	0.41	4.2	3.36	2.34	0.48	5.8

	7	2.43	2.43	0.30	2.2	2.53	2.53	0.31	2.4	2.53	2.53	0.31	2.4	2.53	2.48	0.31	2.4	2.94	2.20	0.36	3.2
--	---	------	------	------	-----	------	------	------	-----	------	------	------	-----	------	------	------	-----	------	------	------	-----

Cooling Capacity

TMFCC4-750																						
EWT	Δt	Air inlet condition																				
		DB: 26.7 WB: 19.4				DB: 27 WB: 18				DB: 27 WB: 19				DB: 27 WB: 20				DB: 29 WB: 21				
		TC	SC	WF	WPD	TC	SC	WF	WPD	TC	SC	WF	WPD	TC	SC	WF	WPD	TC	SC	WF	WPD	
5	3	8.92	5.37	2.56	113.7	8.18	5.91	2.35	95.6	8.74	5.61	2.50	109.1	9.24	5.36	2.65	122.0	9.76	5.12	2.80	136.0	
	4	8.58	5.21	1.84	59.1	7.88	5.73	1.69	49.9	8.43	5.44	1.81	57.2	8.93	5.21	1.92	64.1	9.37	4.95	2.02	70.6	
	5	8.20	5.03	1.41	34.6	7.51	5.60	1.29	29.0	8.04	5.27	1.38	33.3	8.58	5.02	1.48	37.8	9.01	4.79	1.55	41.8	
	6	7.84	4.89	1.12	21.9	7.14	5.40	1.02	18.2	7.69	5.09	1.10	21.1	8.22	4.83	1.18	24.1	8.62	4.59	1.23	26.5	
	7	7.45	4.66	0.92	14.6	6.75	5.27	0.83	12.0	7.28	4.92	0.89	13.9	7.82	4.66	0.96	16.0	8.25	4.40	1.01	17.9	
6	3	8.41	5.16	2.41	101.1	7.67	5.69	2.20	84.0	8.22	5.38	2.36	96.6	8.76	5.13	2.51	109.6	9.26	4.89	2.66	122.6	
	4	8.08	4.98	1.74	52.5	7.32	5.51	1.57	43.1	7.89	5.20	1.70	50.0	8.41	4.97	1.81	56.9	8.89	4.73	1.91	63.5	
	5	7.69	4.80	1.32	30.4	6.99	5.35	1.20	25.1	7.54	5.05	1.30	29.2	8.03	4.76	1.38	33.2	8.54	4.55	1.47	37.5	
	6	7.32	4.66	1.05	19.2	6.63	5.17	0.95	15.7	7.15	4.86	1.03	18.3	7.69	4.58	1.10	21.1	8.11	4.34	1.16	23.5	
	7	6.94	4.44	0.85	12.6	6.21	5.04	0.76	10.1	6.77	4.73	0.83	12.0	7.25	4.42	0.89	13.8	7.75	4.16	0.95	15.8	
7	3	7.86	4.91	2.25	88.2	7.13	5.46	2.04	72.7	7.69	5.16	2.20	84.4	8.25	4.90	2.37	97.3	8.72	4.65	2.50	108.6	
	4	7.54	4.74	1.62	45.6	6.76	5.34	1.45	36.7	7.33	4.99	1.58	43.2	7.88	4.74	1.69	49.9	8.37	4.49	1.80	56.4	
	5	7.15	4.57	1.23	26.3	6.41	5.17	1.10	21.2	7.00	4.82	1.20	25.2	7.51	4.53	1.29	29.0	7.97	4.31	1.37	32.7	
	6	6.78	4.43	0.97	16.4	6.04	5.01	0.87	13.0	6.66	4.65	0.95	15.8	7.16	4.35	1.03	18.3	7.61	4.12	1.09	20.7	
	7	6.41	4.23	0.79	10.8	5.64	4.83	0.69	8.3	6.20	4.51	0.76	10.1	6.74	4.21	0.83	11.9	7.20	3.95	0.88	13.6	
8	3	7.32	4.70	2.10	76.6	6.54	5.27	1.87	61.0	7.15	4.92	2.05	73.1	7.70	4.65	2.21	84.6	8.19	4.39	2.35	95.9	
	4	7.00	4.54	1.51	39.4	6.21	5.10	1.34	31.0	6.79	4.81	1.46	37.0	7.32	4.49	1.57	43.1	7.80	4.26	1.68	48.9	
	5	6.65	4.34	1.14	22.7	5.83	4.95	1.00	17.5	6.44	4.61	1.11	21.4	6.99	4.33	1.20	25.1	7.46	4.09	1.28	28.7	
	6	6.21	4.21	0.89	13.8	5.45	4.82	0.78	10.6	6.09	4.44	0.87	13.3	6.63	4.14	0.95	15.7	7.09	3.90	1.02	18.0	
	7	5.85	4.02	0.72	9.0	5.06	4.62	0.62	6.7	5.67	4.29	0.70	8.4	6.20	3.98	0.76	10.1	6.64	3.74	0.82	11.6	
9	3	6.81	4.48	1.95	66.2	5.99	5.07	1.72	51.3	6.62	4.71	1.90	62.5	7.18	4.41	2.06	73.7	7.65	4.18	2.19	83.5	
	4	6.42	4.32	1.38	33.2	5.64	4.92	1.21	25.5	6.23	4.57	1.34	31.2	6.77	4.29	1.46	36.8	7.25	4.03	1.56	42.3	
	5	6.08	4.14	1.05	19.0	5.21	4.81	0.90	14.0	5.89	4.41	1.01	17.8	6.41	4.11	1.10	21.2	6.90	3.85	1.19	24.5	
	6	5.68	3.99	0.81	11.5	4.82	4.66	0.69	8.3	5.47	4.27	0.78	10.7	6.06	3.92	0.87	13.1	6.54	3.67	0.94	15.3	
	7	5.25	3.80	0.65	7.2	4.49	4.49	0.55	5.3	5.07	4.08	0.62	6.8	5.62	3.80	0.69	8.3	6.08	3.51	0.75	9.7	
10	3	6.24	4.25	1.79	55.7	5.37	4.88	1.54	41.3	5.99	4.54	1.72	51.3	6.60	4.23	1.89	62.2	7.11	3.96	2.04	72.2	
	4	5.86	4.09	1.26	27.6	4.97	4.78	1.07	19.9	5.66	4.38	1.22	25.7	6.23	4.07	1.34	31.2	6.70	3.81	1.44	36.0	
	5	5.47	3.96	0.94	15.4	4.66	4.66	0.80	11.2	5.24	4.24	0.90	14.1	5.84	3.91	1.00	17.5	6.34	3.64	1.09	20.7	
	6	5.10	3.79	0.73	9.3	4.41	4.41	0.63	7.0	4.87	4.08	0.70	8.5	5.45	3.70	0.78	10.6	5.93	3.45	0.85	12.6	
	7	4.66	3.63	0.57	5.7	4.15	4.15	0.51	4.5	4.43	3.93	0.54	5.2	5.00	3.59	0.61	6.6	5.55	3.28	0.68	8.1	
11	3	5.64	4.06	1.62	45.4	4.78	4.78	1.37	32.6	5.43	4.32	1.56	42.2	6.00	4.04	1.72	51.4	6.54	3.75	1.87	61.0	
	4	5.28	3.92	1.14	22.4	4.55	4.55	0.98	16.6	5.07	4.16	1.09	20.7	5.65	3.85	1.21	25.6	6.17	3.60	1.33	30.6	
	5	4.88	3.77	0.84	12.2	4.32	4.32	0.74	9.6	4.66	4.06	0.80	11.2	5.25	3.69	0.90	14.2	5.77	3.42	0.99	17.1	
	6	4.44	3.62	0.64	7.1	4.05	4.05	0.58	5.9	4.27	3.88	0.61	6.5	4.85	3.57	0.69	8.4	5.35	3.25	0.77	10.2	
	7	3.96	3.48	0.49	4.1	3.82	3.82	0.47	3.8	3.82	3.82	0.47	3.8	4.39	3.38	0.54	5.1	4.93	3.06	0.61	6.4	
12	3	5.04	3.87	1.44	36.3	4.42	4.42	1.27	28.0	4.80	4.17	1.38	32.9	5.43	3.81	1.56	42.2	5.94	3.55	1.70	50.4	
	4	4.67	3.74	1.00	17.5	4.21	4.21	0.91	14.3	4.43	4.03	0.95	15.8	5.05	3.67	1.09	20.5	5.59	3.38	1.20	25.1	
	5	4.26	3.61	0.73	9.3	4.03	4.03	0.69	8.4	4.04	3.90	0.69	8.4	4.66	3.54	0.80	11.2	5.18	3.23	0.89	13.8	
	6	3.79	3.48	0.54	5.1	3.75	3.75	0.54	5.0	3.75	3.68	0.54	5.0	4.22	3.38	0.61	6.4	4.75	3.05	0.68	8.1	
	7	3.35	3.35	0.41	3.0	3.48	3.48	0.43	3.2	3.45	3.45	0.42	3.1	3.69	3.21	0.45	3.6	4.31	2.87	0.53	4.9	
13	3	4.40	3.70	1.26	27.7	4.08	4.08	1.17	23.8	4.15	4.01	1.19	24.6	4.79	3.63	1.37	32.8	5.35	3.34	1.53	40.9	
	4	4.03	3.56	0.87	13.1	3.89	3.89	0.84	12.2	3.89	3.82	0.84	12.2	4.40	3.54	0.95	15.6	4.97	3.18	1.07	19.9	
	5	3.60	3.52	0.62	6.7	3.63	3.63	0.62	6.8	3.64	3.64	0.63	6.8	4.02	3.36	0.69	8.3	4.58	3.03	0.79	10.8	
	6	3.27	3.27	0.47	3.8	3.38	3.38	0.49	4.1	3.38	3.38	0.49	4.1	3.55	3.24	0.51	4.5	4.13	2.87	0.59	6.1	
	7	2.99	2.99	0.37	2.4	3.10	3.10	0.38	2.5	3.11	3.11	0.38	2.5	3.11	3.04	0.38	2.5	3.62	2.71	0.44	3.4	

Cooling Capacity

TMFCC4-850																						
EWT	Δt	Air inlet condition																				
		DB: 26.7 WB: 19.4				DB: 27 WB: 18				DB: 27 WB: 19				DB: 27 WB: 20				DB: 29 WB: 21				
		TC	SC	WF	WPD	TC	SC	WF	WPD	TC	SC	WF	WPD	TC	SC	WF	WPD	TC	SC	WF	WPD	
5	3	9.26	5.58	2.66	121.8	8.50	6.14	2.44	102.5	9.07	5.82	2.60	116.9	9.60	5.57	2.75	130.8	10.13	5.32	2.91	145.7	
	4	8.91	5.41	1.91	63.3	8.18	5.95	1.76	53.4	8.76	5.65	1.88	61.3	9.27	5.41	1.99	68.7	9.74	5.14	2.09	75.7	
	5	8.52	5.22	1.47	37.1	7.79	5.81	1.34	31.0	8.35	5.48	1.44	35.6	8.91	5.21	1.53	40.5	9.36	8.09	1.61	44.7	
	6	8.14	5.08	1.17	23.5	7.42	5.61	1.06	19.5	7.98	5.29	1.14	22.6	8.54	5.01	1.22	25.9	8.95	4.76	1.28	28.4	
	7	7.74	4.84	0.95	15.6	7.01	5.48	0.86	12.8	7.56	5.11	0.93	14.9	8.12	4.84	1.00	17.2	8.57	4.57	1.05	19.2	
6	3	8.74	5.36	2.51	108.4	7.96	5.91	2.28	90.0	8.54	5.59	2.45	103.5	9.10	5.33	2.61	117.4	9.62	5.08	2.76	131.3	
	4	8.39	5.17	1.80	56.2	7.61	5.72	1.64	46.2	8.19	5.40	1.76	53.6	8.74	5.16	1.88	61.0	9.23	4.91	1.98	68.0	
	5	7.98	4.98	1.37	32.6	7.26	5.56	1.25	26.9	7.83	5.25	1.35	31.3	8.34	4.94	1.43	35.5	8.86	4.72	1.52	40.1	
	6	7.61	4.84	1.09	20.5	6.88	5.37	0.99	16.8	7.43	5.05	1.06	19.6	7.98	4.75	1.14	22.6	8.42	4.51	1.21	25.2	
	7	7.21	4.62	0.89	13.5	6.45	5.23	0.79	10.9	7.03	4.91	0.86	12.9	7.53	4.59	0.93	14.8	8.05	4.32	0.99	16.9	
7	3	8.16	5.10	2.34	94.5	7.41	5.68	2.12	77.8	7.98	5.36	2.29	90.4	8.57	5.09	2.46	104.2	9.05	4.83	2.60	116.3	
	4	7.83	4.92	1.68	48.9	7.02	5.55	1.51	39.3	7.62	5.18	1.64	46.3	8.18	4.92	1.76	53.4	8.70	4.67	1.87	60.4	
	5	7.43	4.74	1.28	28.2	6.66	5.37	1.15	22.7	7.27	5.00	1.25	27.0	7.79	4.70	1.34	31.0	8.28	4.48	1.42	35.0	
	6	7.04	4.61	1.01	17.6	6.27	5.20	0.90	14.0	6.91	4.83	0.99	17.0	7.44	4.52	1.07	19.6	7.90	4.28	1.13	22.1	
	7	6.66	4.40	0.82	11.6	5.85	5.01	0.72	8.9	6.44	4.68	0.79	10.8	7.00	4.37	0.86	12.8	7.48	4.10	0.92	14.6	
8	3	7.61	4.88	2.18	82.1	6.79	5.48	1.95	65.4	7.43	5.11	2.13	78.3	7.99	4.83	2.29	90.7	8.51	4.56	2.44	102.7	
	4	7.27	4.71	1.56	42.2	6.45	5.30	1.39	33.2	7.05	4.99	1.52	39.7	7.61	4.67	1.64	46.2	8.10	4.43	1.74	52.4	
	5	6.90	4.51	1.19	24.3	6.05	5.14	1.04	18.7	6.69	4.78	1.15	22.9	7.26	4.50	1.25	26.9	7.75	4.25	1.33	30.7	
	6	6.45	4.37	0.92	14.8	5.66	5.00	0.81	11.4	6.33	4.62	0.91	14.2	6.88	4.30	0.99	16.8	7.36	4.05	1.06	19.2	
	7	6.07	4.18	0.75	9.6	5.26	4.79	0.65	7.2	5.89	4.46	0.72	9.0	6.44	4.13	0.79	10.8	6.89	3.88	0.85	12.4	
9	3	7.07	4.66	2.03	70.9	6.22	5.27	1.78	54.9	6.87	4.89	1.97	67.0	7.46	4.58	2.14	79.0	7.94	4.34	2.28	89.5	
	4	6.67	4.49	1.43	35.5	5.85	5.11	1.26	27.4	6.47	4.74	1.39	33.4	7.03	4.46	1.51	39.4	7.53	4.19	1.62	45.3	
	5	6.32	4.30	1.09	20.4	5.41	4.99	0.93	15.0	6.12	4.58	1.05	19.1	6.66	4.27	1.15	22.7	7.17	4.00	1.23	26.2	
	6	5.90	4.14	0.85	12.3	5.00	4.84	0.72	8.9	5.69	4.44	0.81	11.5	6.29	4.07	0.90	14.1	6.79	3.81	0.97	16.3	
	7	5.46	3.94	0.67	7.8	4.67	4.67	0.57	5.7	5.27	4.24	0.65	7.2	5.83	3.94	0.72	8.9	6.32	3.64	0.78	10.4	
10	3	6.48	4.42	1.86	59.6	5.58	5.07	1.60	44.2	6.22	4.71	1.78	54.9	6.85	4.40	1.96	66.6	7.39	4.11	2.12	77.4	
	4	6.08	4.25	1.31	29.6	5.16	4.96	1.11	21.3	5.87	4.55	1.26	27.6	6.47	4.23	1.39	33.4	6.96	3.95	1.50	38.6	
	5	5.69	4.11	0.98	16.5	4.84	4.84	0.83	12.0	5.44	4.41	0.94	15.1	6.06	4.06	1.04	18.8	6.59	3.78	1.13	22.2	
	6	5.30	3.93	0.76	10.0	4.58	4.58	0.66	7.5	5.06	4.24	0.72	9.1	5.66	3.84	0.81	11.4	6.16	3.59	0.88	13.5	
	7	4.84	3.77	0.59	6.1	4.31	4.31	0.53	4.9	4.61	4.08	0.57	5.5	5.19	3.72	0.64	7.0	5.76	3.41	0.71	8.7	
11	3	5.85	4.22	1.68	48.6	4.96	4.96	1.42	34.9	5.64	4.49	1.62	45.2	6.23	4.20	1.79	55.1	6.79	3.89	1.95	65.4	
	4	5.49	4.07	1.18	24.0	4.72	4.72	1.01	17.8	5.27	4.32	1.13	22.1	5.86	4.00	1.26	27.5	6.41	3.73	1.38	32.8	
	5	5.07	3.91	0.87	13.1	4.49	4.49	0.77	10.3	4.84	4.22	0.83	12.0	5.46	3.83	0.94	15.2	5.99	3.56	1.03	18.3	
	6	4.62	3.76	0.66	7.6	4.21	4.21	0.60	6.3	4.44	4.03	0.64	7.0	5.04	3.70	0.72	9.0	5.56	3.38	0.80	11.0	
	7	4.11	3.62	0.51	4.4	3.97	3.97	0.49	4.1	3.97	3.97	0.49	4.1	4.56	3.51	0.56	5.4	5.12	3.18	0.63	6.8	
12	3	5.23	4.02	1.50	38.9	4.59	4.59	1.32	30.0	4.98	4.33	1.43	35.2	5.64	3.95	1.62	45.2	6.17	3.68	1.77	54.0	
	4	4.85	3.88	1.04	18.8	4.37	4.37	0.94	15.3	4.61	4.19	0.99	16.9	5.25	3.81	1.13	22.0	5.80	3.51	1.25	26.9	
	5	4.43	3.75	0.76	10.0	4.19	4.19	0.72	9.0	4.20	4.05	0.72	9.0	4.84	3.67	0.83	12.0	5.38	3.36	0.93	14.8	
	6	3.93	3.62	0.56	5.5	3.89	3.89	0.56	5.4	3.89	3.82	0.56	5.4	4.39	3.51	0.63	6.8	4.93	3.17	0.71	8.6	
	7	3.48	3.48	0.43	3.2	3.62	3.62	0.44	3.4	3.59	3.59	0.44	3.4	3.83	3.34	0.47	3.8	4.48	2.98	0.55	5.2	
13	3	4.57	3.84	1.31	29.7	4.24	4.24	1.21	25.5	4.31	4.16	1.24	26.4	4.97	3.77	1.43	35.1	5.56	3.47	1.59	43.9	
	4	4.19	3.69	0.90	14.0	4.04	4.04	0.87	13.0	4.04	3.97	0.87	13.0	4.57	3.67	0.98	16.7	5.16	3.30	1.11	21.3	
	5	3.73	3.65	0.64	7.1	3.77	3.77	0.65	7.3	3.78	3.78	0.65	7.3	4.18	3.49	0.72	8.9	4.75	3.15	0.82	11.5	
	6	3.40	3.40	0.49	4.1	3.51	3.51	0.50	4.4	3.51	3.51	0.50	4.4	3.68	3.37	0.53	4.8	4.29	2.98	0.61	6.5	
	7	3.11	3.11	0.38	2.5	3.22	3.22	0.40	2.7	3.23	3.23	0.40	2.7	3.23	3.16	0.40	2.7	3.76	2.81	0.46	3.7	

Cooling Capacity

TMFCC4-950																					
EWT	Δt	Air inlet condition																			
		DB: 26.7 WB: 19.4				DB: 27 WB: 18				DB: 27 WB: 19				DB: 27 WB: 20				DB: 29 WB: 21			
		TC	SC	WF	WPD	TC	SC	WF	WPD	TC	SC	WF	WPD	TC	SC	WF	WPD	TC	SC	WF	WPD
5	3	10.47	6.31	3.00	140.7	9.61	6.94	2.75	118.4	10.26	6.58	2.94	135.0	10.85	6.30	3.11	151.1	11.46	6.01	3.28	168.4
	4	10.07	6.12	2.17	73.2	9.25	6.73	1.99	61.8	9.90	6.39	2.13	70.8	10.49	6.12	2.25	79.3	11.01	5.81	2.37	87.4
	5	9.63	5.91	1.66	42.8	8.81	6.57	1.52	35.9	9.44	6.19	1.62	41.2	10.07	5.90	1.73	46.8	10.58	9.15	1.82	51.7
	6	9.20	5.74	1.32	27.2	8.39	6.35	1.20	22.6	9.03	5.98	1.29	26.1	9.66	5.67	1.38	29.9	10.12	5.39	1.45	32.8
	7	8.75	5.47	1.08	18.1	7.92	6.19	0.97	14.8	8.55	5.78	1.05	17.2	9.18	5.47	1.13	19.9	9.69	5.17	1.19	22.1
6	3	9.88	6.06	2.83	125.2	9.00	6.68	2.58	104.0	9.66	6.32	2.77	119.6	10.28	6.03	2.95	135.7	10.88	5.74	3.12	151.8
	4	9.49	5.85	2.04	65.0	8.60	6.46	1.85	53.4	9.26	6.11	1.99	61.9	9.88	5.84	2.12	70.4	10.44	5.55	2.24	78.6
	5	9.03	5.63	1.55	37.6	8.21	6.29	1.41	31.1	8.85	5.93	1.52	36.2	9.43	5.59	1.62	41.1	10.02	5.34	1.72	46.4
	6	8.60	5.47	1.23	23.7	7.78	6.07	1.12	19.4	8.40	5.71	1.20	22.6	9.03	5.37	1.29	26.1	9.52	5.10	1.37	29.1
	7	8.15	5.22	1.00	15.6	7.29	5.92	0.90	12.5	7.95	5.55	0.98	14.9	8.52	5.20	1.05	17.1	9.10	4.89	1.12	19.5
7	3	9.23	5.76	2.65	109.2	8.37	6.42	2.40	90.0	9.03	6.06	2.59	104.5	9.69	5.75	2.78	120.5	10.24	5.46	2.93	134.4
	4	8.85	5.56	1.90	56.5	7.94	6.27	1.71	45.4	8.61	5.86	1.85	53.5	9.25	5.56	1.99	61.8	9.83	5.28	2.11	69.8
	5	8.40	5.36	1.44	32.6	7.53	6.07	1.30	26.2	8.22	5.66	1.41	31.2	8.81	5.31	1.52	35.9	9.36	5.06	1.61	40.4
	6	7.96	5.21	1.14	20.3	7.09	5.88	1.02	16.1	7.82	5.46	1.12	19.6	8.41	5.11	1.21	22.7	8.93	4.84	1.28	25.6
	7	7.53	4.97	0.93	13.4	6.62	5.67	0.81	10.3	7.28	5.29	0.89	12.5	7.91	4.95	0.97	14.8	8.46	4.64	1.04	16.9
8	3	8.60	5.52	2.47	94.9	7.67	6.19	2.20	75.5	8.40	5.78	2.41	90.5	9.04	5.46	2.59	104.8	9.62	5.16	2.76	118.7
	4	8.22	5.33	1.77	48.8	7.29	5.99	1.57	38.4	7.97	5.65	1.71	45.8	8.60	5.28	1.85	53.4	9.16	5.01	1.97	60.5
	5	7.80	5.10	1.34	28.1	6.84	5.81	1.18	21.6	7.57	5.41	1.30	26.4	8.21	5.09	1.41	31.1	8.77	4.80	1.51	35.5
	6	7.29	4.95	1.05	17.1	6.41	5.66	0.92	13.2	7.15	5.22	1.03	16.4	7.78	4.86	1.12	19.4	8.33	4.58	1.19	22.2
	7	6.87	4.72	0.84	11.1	5.94	5.42	0.73	8.3	6.65	5.04	0.82	10.4	7.28	4.67	0.89	12.5	7.79	4.39	0.96	14.3
9	3	7.99	5.27	2.29	82.0	7.03	5.95	2.02	63.5	7.77	5.53	2.23	77.4	8.43	5.18	2.42	91.2	8.98	4.91	2.57	103.4
	4	7.54	5.08	1.62	41.1	6.62	5.78	1.42	31.6	7.32	5.36	1.57	38.6	7.95	5.04	1.71	45.6	8.52	4.73	1.83	52.3
	5	7.14	4.86	1.23	23.5	6.12	5.65	1.05	17.3	6.92	5.18	1.19	22.1	7.53	4.83	1.30	26.2	8.10	4.52	1.39	30.3
	6	6.67	4.69	0.96	14.3	5.66	5.47	0.81	10.3	6.43	5.02	0.92	13.3	7.12	4.60	1.02	16.2	7.67	4.31	1.10	18.9
	7	6.17	4.46	0.76	9.0	5.28	5.28	0.65	6.6	5.95	4.79	0.73	8.4	6.59	4.46	0.81	10.3	7.14	4.12	0.88	12.0
10	3	7.33	4.99	2.10	68.9	6.31	5.73	1.81	51.1	7.03	5.33	2.02	63.5	7.75	4.97	2.22	77.0	8.35	4.65	2.39	89.4
	4	6.88	4.80	1.48	34.2	5.84	5.61	1.25	24.6	6.64	5.15	1.43	31.8	7.32	4.78	1.57	38.6	7.86	4.47	1.69	44.6
	5	6.43	4.65	1.11	19.1	5.47	5.47	0.94	13.8	6.16	4.98	1.06	17.5	6.86	4.59	1.18	21.7	7.45	4.27	1.28	25.6
	6	5.99	4.45	0.86	11.5	5.18	5.18	0.74	8.6	5.72	4.79	0.82	10.5	6.41	4.34	0.92	13.2	6.96	4.06	1.00	15.6
	7	5.47	4.26	0.67	7.0	4.88	4.88	0.60	5.6	5.21	4.61	0.64	6.4	5.87	4.21	0.72	8.1	6.51	3.85	0.80	10.0
11	3	6.62	4.77	1.90	56.2	5.61	5.61	1.61	40.4	6.38	5.08	1.83	52.2	7.05	4.74	2.02	63.7	7.67	4.40	2.20	75.5
	4	6.20	4.60	1.33	27.8	5.34	5.34	1.15	20.6	5.95	4.89	1.28	25.6	6.63	4.52	1.43	31.7	7.25	4.22	1.56	37.9
	5	5.73	4.42	0.99	15.2	5.08	5.08	0.87	11.9	5.47	4.77	0.94	13.8	6.17	4.33	1.06	17.6	6.77	4.02	1.16	21.2
	6	5.22	4.25	0.75	8.7	4.76	4.76	0.68	7.3	5.02	4.55	0.72	8.1	5.69	4.19	0.82	10.4	6.29	3.82	0.90	12.7
	7	4.65	4.09	0.57	5.1	4.48	4.48	0.55	4.7	4.48	4.48	0.55	4.7	5.16	3.97	0.63	6.3	5.79	3.59	0.71	7.9
12	3	5.92	4.54	1.70	44.9	5.20	5.20	1.49	34.6	5.63	4.90	1.62	40.7	6.38	4.47	1.83	52.2	6.97	4.16	2.00	62.4
	4	5.48	4.39	1.18	21.7	4.95	4.95	1.06	17.7	5.21	4.73	1.12	19.6	5.93	4.31	1.28	25.4	6.56	3.97	1.41	31.0
	5	5.01	4.23	0.86	11.6	4.73	4.73	0.81	10.3	4.74	4.58	0.82	10.4	5.47	4.15	0.94	13.8	6.08	3.80	1.05	17.1
	6	4.45	4.09	0.64	6.3	4.40	4.40	0.63	6.2	4.40	4.32	0.63	6.2	4.96	3.97	0.71	7.9	5.57	3.58	0.80	10.0
	7	3.94	3.94	0.48	3.7	4.09	4.09	0.50	4.0	4.06	4.06	0.50	3.9	4.33	3.77	0.53	4.4	5.06	3.37	0.62	6.0
13	3	5.17	4.34	1.48	34.3	4.79	4.79	1.37	29.5	4.88	4.71	1.40	30.5	5.62	4.26	1.61	40.6	6.29	3.93	1.80	50.7
	4	4.73	4.18	1.02	16.2	4.57	4.57	0.98	15.1	4.57	4.48	0.98	15.1	5.17	4.15	1.11	19.3	5.84	3.74	1.25	24.6
	5	4.22	4.13	0.73	8.2	4.26	4.26	0.73	8.4	4.27	4.27	0.73	8.4	4.72	3.95	0.81	10.3	5.37	3.56	0.92	13.3
	6	3.84	3.84	0.55	4.7	3.97	3.97	0.57	5.1	3.97	3.97	0.57	5.1	4.16	3.81	0.60	5.6	4.85	3.37	0.70	7.6
	7	3.51	3.51	0.43	2.9	3.64	3.64	0.45	3.1	3.65	3.65	0.45	3.1	3.65	3.57	0.45	3.1	4.25	3.18	0.52	4.3

Cooling Capacity

TMFCC4-1200																						
EWT	Δt	Air inlet condition																				
		DB: 26.7 WB: 19.4				DB: 27 WB: 18				DB: 27 WB: 19				DB: 27 WB: 20				DB: 29 WB: 21				
		TC	SC	WF	WPD	TC	SC	WF	WPD	TC	SC	WF	WPD	TC	SC	WF	WPD	TC	SC	WF	WPD	
5	3	13.24	7.98	3.80	198.4	12.14	8.77	3.48	167.0	12.97	8.32	3.72	190.4	13.72	7.96	3.93	213.1	14.48	7.60	4.15	237.5	
	4	12.73	7.74	2.74	103.2	11.69	8.50	2.51	87.1	12.52	8.08	2.69	99.8	13.25	7.74	2.85	111.9	13.91	7.35	2.99	123.3	
	5	12.17	7.47	2.09	60.4	11.14	8.31	1.92	50.6	11.93	7.83	2.05	58.1	12.73	7.45	2.19	66.0	13.37	11.56	2.30	72.9	
	6	11.63	7.26	1.67	38.3	10.60	8.02	1.52	31.8	11.41	7.56	1.64	36.9	12.20	7.17	1.75	42.2	12.79	6.81	1.83	46.3	
	7	11.06	6.91	1.36	25.5	10.02	7.83	1.23	20.9	10.81	7.30	1.33	24.3	11.60	6.91	1.43	28.0	12.25	6.54	1.50	31.2	
6	3	12.49	7.66	3.58	176.6	11.38	8.44	3.26	146.6	12.20	7.99	3.50	168.6	13.00	7.62	3.73	191.3	13.75	7.26	3.94	214.0	
	4	11.99	7.39	2.58	91.6	10.87	8.17	2.34	75.3	11.71	7.72	2.52	87.3	12.49	7.38	2.69	99.3	13.19	7.02	2.84	110.9	
	5	11.41	7.12	1.96	53.1	10.38	7.95	1.78	43.9	11.18	7.50	1.92	51.0	11.92	7.06	2.05	57.9	12.67	6.75	2.18	65.4	
	6	10.87	6.91	1.56	33.4	9.84	7.68	1.41	27.4	10.61	7.21	1.52	31.9	11.41	6.79	1.64	36.9	12.04	6.45	1.73	41.0	
	7	10.30	6.60	1.27	22.1	9.22	7.48	1.13	17.7	10.05	7.02	1.23	21.0	10.76	6.57	1.32	24.1	11.50	6.18	1.41	27.5	
7	3	11.66	7.29	3.34	154.0	10.58	8.11	3.03	126.9	11.41	7.66	3.27	147.4	12.25	7.27	3.51	169.9	12.94	6.90	3.71	189.5	
	4	11.18	7.03	2.40	79.7	10.03	7.93	2.16	64.1	10.88	7.41	2.34	75.5	11.69	7.03	2.51	87.1	12.43	6.67	2.67	98.4	
	5	10.61	6.78	1.83	45.9	9.52	7.68	1.64	36.9	10.39	7.15	1.79	44.0	11.14	6.72	1.92	50.6	11.83	6.40	2.03	57.0	
	6	10.06	6.58	1.44	28.7	8.97	7.44	1.29	22.8	9.88	6.90	1.42	27.6	10.63	6.46	1.52	32.0	11.29	6.12	1.62	36.1	
	7	9.52	6.28	1.17	18.9	8.37	7.17	1.03	14.6	9.21	6.69	1.13	17.6	10.00	6.25	1.23	20.8	10.69	5.86	1.31	23.8	
8	3	10.87	6.97	3.12	133.8	9.70	7.83	2.78	106.5	10.61	7.30	3.04	127.6	11.42	6.90	3.28	147.8	12.16	6.52	3.49	167.4	
	4	10.39	6.73	2.23	68.8	9.22	7.57	1.98	54.1	10.08	7.14	2.17	64.7	10.87	6.67	2.34	75.3	11.57	6.33	2.49	85.3	
	5	9.87	6.45	1.70	39.7	8.65	7.35	1.49	30.5	9.57	6.84	1.65	37.3	10.38	6.43	1.78	43.9	11.08	6.07	1.91	50.0	
	6	9.22	6.25	1.32	24.1	8.10	7.15	1.16	18.6	9.04	6.60	1.30	23.1	9.84	6.15	1.41	27.4	10.52	5.79	1.51	31.4	
	7	8.68	5.97	1.07	15.7	7.51	6.85	0.92	11.7	8.41	6.37	1.03	14.7	9.21	5.91	1.13	17.6	9.85	5.55	1.21	20.2	
9	3	10.11	6.66	2.90	115.6	8.89	7.53	2.55	89.5	9.82	6.99	2.82	109.2	10.66	6.55	3.06	128.7	11.35	6.21	3.25	145.8	
	4	9.54	6.42	2.05	57.9	8.37	7.30	1.80	44.6	9.25	6.78	1.99	54.5	10.05	6.37	2.16	64.3	10.76	5.98	2.31	73.8	
	5	9.03	6.15	1.55	33.2	7.74	7.14	1.33	24.4	8.74	6.55	1.50	31.1	9.52	6.10	1.64	36.9	10.24	5.71	1.76	42.7	
	6	8.43	5.92	1.21	20.1	7.15	6.91	1.03	14.5	8.13	6.34	1.16	18.7	9.00	5.82	1.29	22.9	9.70	5.44	1.39	26.6	
	7	7.80	5.64	0.96	12.6	6.67	6.67	0.82	9.3	7.53	6.06	0.92	11.8	8.34	5.64	1.02	14.5	9.03	5.20	1.11	16.9	
10	3	9.27	6.31	2.66	97.2	7.98	7.24	2.29	72.0	8.89	6.73	2.55	89.5	9.79	6.28	2.81	108.5	10.55	5.88	3.03	126.1	
	4	8.70	6.07	1.87	48.2	7.38	7.09	1.59	34.7	8.40	6.51	1.81	44.9	9.25	6.04	1.99	54.5	9.94	5.65	2.14	62.9	
	5	8.13	5.88	1.40	26.9	6.91	6.91	1.19	19.5	7.78	6.30	1.34	24.7	8.67	5.80	1.49	30.6	9.42	5.40	1.62	36.1	
	6	7.57	5.62	1.09	16.2	6.55	6.55	0.94	12.2	7.23	6.06	1.04	14.8	8.10	5.49	1.16	18.6	8.80	5.13	1.26	21.9	
	7	6.91	5.38	0.85	9.9	6.16	6.16	0.76	7.9	6.58	5.83	0.81	9.0	7.42	5.32	0.91	11.5	8.23	4.87	1.01	14.1	
11	3	8.37	6.03	2.40	79.2	7.09	7.09	2.03	56.9	8.07	6.42	2.31	73.7	8.91	6.00	2.55	89.8	9.70	5.56	2.78	106.5	
	4	7.84	5.82	1.69	39.2	6.75	6.75	1.45	29.0	7.53	6.18	1.62	36.1	8.38	5.71	1.80	44.7	9.16	5.34	1.97	53.4	
	5	7.24	5.59	1.25	21.4	6.42	6.42	1.10	16.8	6.91	6.03	1.19	19.5	7.80	5.47	1.34	24.8	8.56	5.08	1.47	29.9	
	6	6.60	5.37	0.95	12.3	6.01	6.01	0.86	10.2	6.34	5.76	0.91	11.4	7.20	5.29	1.03	14.7	7.95	4.83	1.14	17.9	
	7	5.88	5.17	0.72	7.2	5.67	5.67	0.70	6.7	5.67	5.67	0.70	6.7	6.52	5.02	0.80	8.9	7.32	4.54	0.90	11.1	
12	3	7.48	5.74	2.14	63.4	6.57	6.57	1.88	48.8	7.12	6.19	2.04	57.4	8.07	5.65	2.31	73.7	8.82	5.26	2.53	88.0	
	4	6.93	5.55	1.49	30.6	6.25	6.25	1.34	24.9	6.58	5.98	1.42	27.6	7.50	5.44	1.61	35.8	8.29	5.02	1.78	43.8	
	5	6.33	5.35	1.09	16.3	5.98	5.98	1.03	14.6	6.00	5.79	1.03	14.7	6.91	5.25	1.19	19.5	7.69	4.80	1.32	24.1	
	6	5.62	5.17	0.81	9.0	5.56	5.56	0.80	8.8	5.56	5.46	0.80	8.8	6.27	5.02	0.90	11.1	7.05	4.53	1.01	14.1	
	7	4.98	4.98	0.61	5.2	5.17	5.17	0.64	5.6	5.13	5.13	0.63	5.5	5.47	4.77	0.67	6.2	6.40	4.26	0.79	8.5	
13	3	6.54	5.49	1.87	48.4	6.06	6.06	1.74	41.5	6.16	5.95	1.77	43.0	7.11	5.38	2.04	57.2	7.95	4.96	2.28	71.5	
	4	5.98	5.28	1.29	22.8	5.77	5.77	1.24	21.2	5.77	5.67	1.24	21.2	6.54	5.25	1.41	27.2	7.38	4.72	1.59	34.7	
	5	5.34	5.22	0.92	11.6	5.38	5.38	0.93	11.8	5.40	5.40	0.93	11.9	5.97	4.99	1.03	14.5	6.79	4.50	1.17	18.8	
	6	4.86	4.86	0.70	6.7	5.02	5.02	0.72	7.1	5.02	5.02	0.72	7.1	5.26	4.81	0.75	7.8	6.13	4.26	0.88	10.6	
	7	4.44	4.44	0.55	4.1	4.60	4.60	0.57	4.4	4.62	4.62	0.57	4.4	4.62	4.51	0.57	4.4	5.37	4.02	0.66	6.0	

Cooling Capacity

TMFCC4-1500																					
EWT	Δt	Air inlet condition																			
		DB: 26.7 WB: 19.4				DB: 27 WB: 18				DB: 27 WB: 19				DB: 27 WB: 20				DB: 29 WB: 21			
		TC	SC	WF	WPD	TC	SC	WF	WPD	TC	SC	WF	WPD	TC	SC	WF	WPD	TC	SC	WF	WPD
5	3	16.44	9.90	4.71	180.4	15.08	10.89	4.32	151.8	16.10	10.33	4.62	173.1	17.03	9.88	4.88	193.7	17.98	9.44	5.15	215.9
	4	15.80	9.61	3.40	93.8	14.52	10.55	3.12	79.2	15.54	10.03	3.34	90.7	16.46	9.61	3.54	101.7	17.27	9.12	3.71	112.1
	5	15.12	9.27	2.60	54.9	13.83	10.31	2.38	46.0	14.82	9.72	2.55	52.8	15.80	9.25	2.72	60.0	16.60	14.35	2.86	66.3
	6	14.45	9.01	2.07	34.8	13.16	9.96	1.89	28.9	14.17	9.38	2.03	33.5	15.15	8.90	2.17	38.3	15.88	8.45	2.28	42.1
	7	13.74	8.58	1.69	23.1	12.43	9.72	1.53	19.0	13.42	9.07	1.65	22.1	14.41	8.58	1.77	25.5	15.21	8.12	1.87	28.4
6	3	15.51	9.51	4.45	160.5	14.13	10.48	4.05	133.3	15.15	9.92	4.34	153.3	16.14	9.46	4.63	173.9	17.07	9.01	4.89	194.6
	4	14.89	9.18	3.20	83.3	13.50	10.15	2.90	68.4	14.54	9.59	3.13	79.4	15.51	9.16	3.33	90.3	16.38	8.71	3.52	100.8
	5	14.17	8.84	2.44	48.2	12.88	9.87	2.22	39.9	13.89	9.31	2.39	46.4	14.80	8.77	2.55	52.6	15.73	8.38	2.71	59.5
	6	13.50	8.58	1.93	30.4	12.21	9.53	1.75	24.9	13.18	8.95	1.89	29.0	14.17	8.43	2.03	33.5	14.95	8.00	2.14	37.3
	7	12.79	8.19	1.57	20.1	11.45	9.29	1.41	16.1	12.47	8.71	1.53	19.1	13.37	8.15	1.64	21.9	14.28	7.67	1.75	25.0
7	3	14.48	9.05	4.15	140.0	13.14	10.07	3.77	115.3	14.17	9.51	4.06	134.0	15.21	9.03	4.36	154.4	16.06	8.56	4.61	172.3
	4	13.89	8.73	2.99	72.4	12.45	9.85	2.68	58.3	13.51	9.20	2.91	68.6	14.52	8.73	3.12	79.2	15.43	8.28	3.32	89.4
	5	13.18	8.41	2.27	41.8	11.82	9.53	2.03	33.6	12.90	8.88	2.22	40.0	13.83	8.34	2.38	46.0	14.69	7.95	2.53	51.9
	6	12.49	8.17	1.79	26.0	11.13	9.23	1.60	20.7	12.27	8.56	1.76	25.1	13.20	8.02	1.89	29.1	14.02	7.59	2.01	32.8
	7	11.82	7.80	1.45	17.1	10.39	8.90	1.28	13.2	11.43	8.30	1.40	16.0	12.42	7.76	1.53	18.9	13.27	7.28	1.63	21.6
8	3	13.50	8.66	3.87	121.6	12.04	9.72	3.45	96.9	13.18	9.07	3.78	116.0	14.18	8.56	4.07	134.3	15.10	8.10	4.33	152.2
	4	12.90	8.36	2.77	62.5	11.45	9.40	2.46	49.2	12.51	8.86	2.69	58.8	13.50	8.28	2.90	68.4	14.37	7.86	3.09	77.6
	5	12.25	8.00	2.11	36.1	10.74	9.12	1.85	27.7	11.88	8.49	2.04	33.9	12.88	7.99	2.22	39.9	13.76	7.54	2.37	45.5
	6	11.45	7.76	1.64	21.9	10.05	8.88	1.44	16.9	11.22	8.19	1.61	21.0	12.21	7.63	1.75	24.9	13.07	7.19	1.87	28.5
	7	10.78	7.41	1.32	14.3	9.33	8.51	1.15	10.7	10.44	7.91	1.28	13.4	11.43	7.33	1.40	16.0	12.23	6.89	1.50	18.3
9	3	12.55	8.26	3.60	105.1	11.04	9.34	3.16	81.4	12.19	8.67	3.50	99.3	13.24	8.13	3.79	117.0	14.09	7.71	4.04	132.6
	4	11.84	7.97	2.55	52.6	10.39	9.07	2.23	40.5	11.49	8.41	2.47	49.5	12.47	7.91	2.68	58.4	13.37	7.43	2.87	67.1
	5	11.21	7.63	1.93	30.2	9.61	8.86	1.65	22.2	10.85	8.13	1.87	28.3	11.82	7.58	2.03	33.6	12.71	7.09	2.19	38.9
	6	10.46	7.35	1.50	18.3	8.88	8.58	1.27	13.2	10.09	7.87	1.45	17.0	11.17	7.22	1.60	20.8	12.04	6.76	1.73	24.2
	7	9.68	7.00	1.19	11.5	8.28	8.28	1.02	8.4	9.34	7.52	1.15	10.7	10.35	7.00	1.27	13.1	11.21	6.46	1.38	15.4
10	3	11.50	7.84	3.30	88.4	9.90	8.99	2.84	65.5	11.04	8.36	3.16	81.4	12.16	7.80	3.48	98.7	13.10	7.30	3.76	114.7
	4	10.80	7.54	2.32	43.8	9.16	8.80	1.97	31.5	10.42	8.08	2.24	40.8	11.49	7.50	2.47	49.5	12.34	7.02	2.65	57.2
	5	10.09	7.30	1.74	24.5	8.58	8.58	1.48	17.7	9.66	7.82	1.66	22.4	10.76	7.20	1.85	27.8	11.69	6.70	2.01	32.9
	6	9.40	6.98	1.35	14.8	8.13	8.13	1.17	11.1	8.97	7.52	1.29	13.4	10.05	6.81	1.44	16.9	10.93	6.37	1.57	19.9
	7	8.58	6.68	1.05	9.0	7.65	7.65	0.94	7.2	8.17	7.24	1.00	8.2	9.21	6.61	1.13	10.4	10.22	6.05	1.26	12.8
11	3	10.39	7.48	2.98	72.0	8.80	8.80	2.52	51.8	10.01	7.97	2.87	67.0	11.06	7.45	3.17	81.6	12.04	6.91	3.45	96.9
	4	9.74	7.22	2.09	35.6	8.38	8.38	1.80	26.4	9.34	7.67	2.01	32.8	10.41	7.09	2.24	40.7	11.37	6.63	2.45	48.6
	5	8.99	6.94	1.55	19.4	7.97	7.97	1.37	15.3	8.58	7.48	1.48	17.7	9.68	6.79	1.66	22.5	10.63	6.31	1.83	27.2
	6	8.19	6.66	1.17	11.2	7.46	7.46	1.07	9.3	7.87	7.15	1.13	10.4	8.94	6.57	1.28	13.3	9.87	5.99	1.41	16.3
	7	7.30	6.42	0.90	6.5	7.04	7.04	0.86	6.1	7.04	7.04	0.86	6.1	8.10	6.24	0.99	8.0	9.08	5.64	1.12	10.1
12	3	9.29	7.13	2.66	57.6	8.15	8.15	2.34	44.4	8.84	7.69	2.53	52.2	10.01	7.02	2.87	67.0	10.95	6.53	3.14	80.0
	4	8.60	6.89	1.85	27.8	7.76	7.76	1.67	22.6	8.17	7.43	1.76	25.1	9.31	6.76	2.00	32.5	10.29	6.24	2.21	39.8
	5	7.86	6.65	1.35	14.8	7.43	7.43	1.28	13.3	7.45	7.19	1.28	13.3	8.58	6.52	1.48	17.7	9.55	5.96	1.64	21.9
	6	6.98	6.42	1.00	8.1	6.91	6.91	0.99	8.0	6.91	6.78	0.99	8.0	7.78	6.24	1.12	10.1	8.75	5.62	1.25	12.8
	7	6.18	6.18	0.76	4.7	6.42	6.42	0.79	5.1	6.37	6.37	0.78	5.0	6.79	5.92	0.83	5.7	7.95	5.29	0.98	7.8
13	3	8.12	6.81	2.33	44.0	7.52	7.52	2.16	37.8	7.65	7.39	2.19	39.1	8.82	6.68	2.53	52.0	9.87	6.16	2.83	65.0
	4	7.43	6.55	1.60	20.7	7.17	7.17	1.54	19.3	7.17	7.04	1.54	19.3	8.12	6.52	1.74	24.7	9.16	5.86	1.97	31.5
	5	6.63	6.48	1.14	10.6	6.68	6.68	1.15	10.7	6.70	6.70	1.15	10.8	7.41	6.20	1.27	13.2	8.43	5.58	1.45	17.1
	6	6.03	6.03	0.86	6.1	6.24	6.24	0.89	6.5	6.24	6.24	0.89	6.5	6.53	5.98	0.94	7.1	7.61	5.29	1.09	9.7
	7	5.51	5.51	0.68	3.7	5.71	5.71	0.70	4.0	5.73	5.73	0.70	4.0	5.73	5.60	0.70	4.0	6.66	4.99	0.82	5.5

Cooling capacity modification coefficient table:

Speed	600		750		850		950		1200		1500	
	TC	SC	TC	SC	TC	SC	TC	SC	TC	SC	TC	SC
High	1	1	1	1	1	1	1	1	1	1	1	1
Med	0.83	0.80	0.80	0.78	0.89	0.85	0.9	0.85	0.89	0.85	0.89	0.84
Low	0.69	0.65	0.67	0.64	0.79	0.75	0.8	0.75	0.79	0.74	0.79	0.74

Compact four-way cassette:

TMFCC4-300																					
EWT	Δt	Air inlet condition																			
		DB:26.7 WB:19.4				DB:27 WB:18				DB:27 WB:19				DB:27 WB:20				DB:29 WB:21			
		TC	SC	WF	WPD	TC	SC	WF	WPD	TC	SC	WF	WPD	TC	SC	WF	WPD	TC	SC	WF	WPD
5	3	3.82	2.30	1.10	63.1	3.51	2.53	1.01	53.1	3.74	2.40	1.07	60.6	3.96	2.30	1.14	67.8	4.18	2.19	1.20	75.6
	4	3.68	2.23	0.79	32.8	3.38	2.45	0.73	27.7	3.61	2.33	0.78	31.8	3.83	2.23	0.82	35.6	4.02	2.12	0.86	39.2
	5	3.52	2.16	0.60	19.2	3.22	2.40	0.55	16.1	3.45	2.26	0.59	18.5	3.68	2.15	0.63	21.0	3.86	3.34	0.66	23.2
	6	3.36	2.10	0.48	12.2	3.06	2.32	0.44	10.1	3.29	2.18	0.47	11.7	3.52	2.07	0.51	13.4	3.69	1.97	0.53	14.7
	7	3.19	2.00	0.39	8.1	2.89	2.26	0.36	6.6	3.12	2.11	0.38	7.7	3.35	2.00	0.41	8.9	3.54	1.89	0.43	9.9
6	3	3.61	2.21	1.03	56.2	3.29	2.44	0.94	46.7	3.52	2.31	1.01	53.7	3.75	2.20	1.08	60.9	3.97	2.10	1.14	68.1
	4	3.46	2.13	0.74	29.2	3.14	2.36	0.67	23.9	3.38	2.23	0.73	27.8	3.61	2.13	0.78	31.6	3.81	2.03	0.82	35.3
	5	3.29	2.06	0.57	16.9	3.00	2.29	0.52	14.0	3.23	2.16	0.56	16.2	3.44	2.04	0.59	18.4	3.66	1.95	0.63	20.8
	6	3.14	2.00	0.45	10.6	2.84	2.22	0.41	8.7	3.06	2.08	0.44	10.2	3.29	1.96	0.47	11.7	3.48	1.86	0.50	13.1
	7	2.97	1.90	0.37	7.0	2.66	2.16	0.33	5.6	2.90	2.03	0.36	6.7	3.11	1.90	0.38	7.7	3.32	1.78	0.41	8.8
7	3	3.37	2.10	0.97	49.0	3.06	2.34	0.88	40.4	3.29	2.21	0.94	46.9	3.54	2.10	1.01	54.1	3.74	1.99	1.07	60.3
	4	3.23	2.03	0.69	25.4	2.90	2.29	0.62	20.4	3.14	2.14	0.68	24.0	3.38	2.03	0.73	27.7	3.59	1.93	0.77	31.3
	5	3.06	1.96	0.53	14.6	2.75	2.22	0.47	11.8	3.00	2.06	0.52	14.0	3.22	1.94	0.55	16.1	3.42	1.85	0.59	18.2
	6	2.90	1.90	0.42	9.1	2.59	2.15	0.37	7.2	2.85	1.99	0.41	8.8	3.07	1.87	0.44	10.2	3.26	1.77	0.47	11.5
	7	2.75	1.81	0.34	6.0	2.42	2.07	0.30	4.6	2.66	1.93	0.33	5.6	2.89	1.81	0.35	6.6	3.09	1.69	0.38	7.6
8	3	3.14	2.01	0.90	42.6	2.80	2.26	0.80	33.9	3.06	2.11	0.88	40.6	3.30	1.99	0.95	47.0	3.51	1.88	1.01	53.3
	4	3.00	1.94	0.65	21.9	2.66	2.19	0.57	17.2	2.91	2.06	0.63	20.6	3.14	1.93	0.67	23.9	3.34	1.83	0.72	27.2
	5	2.85	1.86	0.49	12.6	2.50	2.12	0.43	9.7	2.76	1.97	0.48	11.9	3.00	1.86	0.52	14.0	3.20	1.75	0.55	15.9
	6	2.66	1.81	0.38	7.7	2.34	2.06	0.34	5.9	2.61	1.90	0.37	7.4	2.84	1.77	0.41	8.7	3.04	1.67	0.44	10.0
	7	2.51	1.72	0.31	5.0	2.17	1.98	0.27	3.7	2.43	1.84	0.30	4.7	2.66	1.71	0.33	5.6	2.84	1.60	0.35	6.4
9	3	2.92	1.92	0.84	36.8	2.57	2.17	0.74	28.5	2.84	2.02	0.81	34.7	3.08	1.89	0.88	40.9	3.28	1.79	0.94	46.4
	4	2.75	1.85	0.59	18.4	2.42	2.11	0.52	14.2	2.67	1.96	0.57	17.3	2.90	1.84	0.62	20.5	3.11	1.73	0.67	23.5
	5	2.61	1.77	0.45	10.6	2.23	2.06	0.38	7.8	2.52	1.89	0.43	9.9	2.75	1.76	0.47	11.8	2.96	1.65	0.51	13.6
	6	2.43	1.71	0.35	6.4	2.06	2.00	0.30	4.6	2.35	1.83	0.34	6.0	2.60	1.68	0.37	7.3	2.80	1.57	0.40	8.5
	7	2.25	1.63	0.28	4.0	1.93	1.93	0.24	3.0	2.17	1.75	0.27	3.8	2.41	1.63	0.30	4.6	2.61	1.50	0.32	5.4
10	3	2.68	1.82	0.77	30.9	2.30	2.09	0.66	22.9	2.57	1.94	0.74	28.5	2.83	1.81	0.81	34.5	3.05	1.70	0.87	40.1
	4	2.51	1.75	0.54	15.3	2.13	2.05	0.46	11.0	2.42	1.88	0.52	14.3	2.67	1.74	0.57	17.3	2.87	1.63	0.62	20.0
	5	2.35	1.70	0.40	8.6	2.00	2.00	0.34	6.2	2.25	1.82	0.39	7.9	2.50	1.68	0.43	9.7	2.72	1.56	0.47	11.5
	6	2.19	1.62	0.31	5.2	1.89	1.89	0.27	3.9	2.09	1.75	0.30	4.7	2.34	1.58	0.34	5.9	2.54	1.48	0.36	7.0
	7	2.00	1.55	0.25	3.2	1.78	1.78	0.22	2.5	1.90	1.68	0.23	2.9	2.14	1.54	0.26	3.6	2.38	1.41	0.29	4.5
11	3	2.42	1.74	0.69	25.2	2.05	2.05	0.59	18.1	2.33	1.85	0.67	23.4	2.57	1.73	0.74	28.6	2.80	1.61	0.80	33.9
	4	2.26	1.68	0.49	12.5	1.95	1.95	0.42	9.2	2.17	1.78	0.47	11.5	2.42	1.65	0.52	14.2	2.65	1.54	0.57	17.0
	5	2.09	1.61	0.36	6.8	1.85	1.85	0.32	5.3	2.00	1.74	0.34	6.2	2.25	1.58	0.39	7.9	2.47	1.47	0.43	9.5
	6	1.90	1.55	0.27	3.9	1.74	1.74	0.25	3.3	1.83	1.66	0.26	3.6	2.08	1.53	0.30	4.7	2.29	1.39	0.33	5.7
	7	1.70	1.49	0.21	2.3	1.64	1.64	0.20	2.1	1.64	1.64	0.20	2.1	1.88	1.45	0.23	2.8	2.11	1.31	0.26	3.5
12	3	2.16	1.66	0.62	20.2	1.90	1.90	0.54	15.5	2.06	1.79	0.59	18.3	2.33	1.63	0.67	23.4	2.55	1.52	0.73	28.0
	4	2.00	1.60	0.43	9.7	1.81	1.81	0.39	7.9	1.90	1.73	0.41	8.8	2.16	1.57	0.47	11.4	2.39	1.45	0.51	13.9
	5	1.83	1.55	0.31	5.2	1.73	1.73	0.30	4.6	1.73	1.67	0.30	4.7	2.00	1.52	0.34	6.2	2.22	1.39	0.38	7.7
	6	1.62	1.49	0.23	2.9	1.61	1.61	0.23	2.8	1.61	1.58	0.23	2.8	1.81	1.45	0.26	3.5	2.03	1.31	0.29	4.5
	7	1.44	1.44	0.18	1.6	1.49	1.49	0.18	1.8	1.48	1.48	0.18	1.7	1.58	1.38	0.19	2.0	1.85	1.23	0.23	2.7
13	3	1.89	1.58	0.54	15.4	1.75	1.75	0.50	13.2	1.78	1.72	0.51	13.7	2.05	1.55	0.59	18.2	2.29	1.43	0.66	22.8
	4	1.73	1.52	0.37	7.3	1.67	1.67	0.36	6.8	1.67	1.64	0.36	6.8	1.89	1.52	0.41	8.7	2.13	1.36	0.46	11.0
	5	1.54	1.51	0.27	3.7	1.55	1.55	0.27	3.8	1.56	1.56	0.27	3.8	1.72	1.44	0.30	4.6	1.96	1.30	0.34	6.0
	6	1.40	1.40	0.20	2.1	1.45	1.45	0.21	2.3	1.45	1.45	0.21	2.3	1.52	1.39	0.22	2.5	1.77	1.23	0.25	3.4
	7	1.28	1.28	0.16	1.3	1.33	1.33	0.16	1.4	1.33	1.33	0.16	1.4	1.33	1.30	0.16	1.4	1.55	1.16	0.19	1.9

Cooling Capacity

TMFCC4-400																					
EWT	Δt	Air inlet condition																			
		DB:26.7 WB:19.4				DB:27 WB:18				DB:27 WB:19				DB:27 WB:20				DB:29 WB:21			
		TC	SC	WF	WPD	TC	SC	WF	WPD	TC	SC	WF	WPD	TC	SC	WF	WPD	TC	SC	WF	WPD
5	3	4.71	2.84	1.35	67.7	4.32	3.12	1.24	56.9	4.62	2.96	1.32	64.9	4.89	2.84	1.40	72.6	5.16	2.71	1.48	81.0
	4	4.53	2.75	0.97	35.2	4.16	3.03	0.90	29.7	4.46	2.88	0.96	34.0	4.72	2.75	1.01	38.1	4.95	2.62	1.07	42.0
	5	4.34	2.66	0.75	20.6	3.97	2.96	0.68	17.2	4.25	2.79	0.73	19.8	4.53	2.65	0.78	22.5	4.76	4.12	0.82	24.9
	6	4.14	2.58	0.59	13.1	3.77	2.86	0.54	10.8	4.06	2.69	0.58	12.6	4.35	2.55	0.62	14.4	4.55	2.42	0.65	15.8
	7	3.94	2.46	0.48	8.7	3.57	2.79	0.44	7.1	3.85	2.60	0.47	8.3	4.13	2.46	0.51	9.6	4.36	2.33	0.54	10.6
6	3	4.45	2.73	1.27	60.2	4.05	3.01	1.16	50.0	4.35	2.85	1.25	57.5	4.63	2.71	1.33	65.2	4.90	2.58	1.40	73.0
	4	4.27	2.63	0.92	31.2	3.87	2.91	0.83	25.7	4.17	2.75	0.90	29.8	4.45	2.63	0.96	33.9	4.70	2.50	1.01	37.8
	5	4.06	2.54	0.70	18.1	3.69	2.83	0.64	15.0	3.98	2.67	0.69	17.4	4.24	2.51	0.73	19.7	4.51	2.40	0.78	22.3
	6	3.87	2.46	0.55	11.4	3.50	2.73	0.50	9.3	3.78	2.57	0.54	10.9	4.06	2.42	0.58	12.6	4.29	2.30	0.61	14.0
	7	3.67	2.35	0.45	7.5	3.28	2.66	0.40	6.0	3.58	2.50	0.44	7.2	3.83	2.34	0.47	8.2	4.10	2.20	0.50	9.4
7	3	4.15	2.59	1.19	52.5	3.77	2.89	1.08	43.2	4.06	2.73	1.16	50.2	4.36	2.59	1.25	57.9	4.61	2.46	1.32	64.6
	4	3.98	2.50	0.86	27.2	3.57	2.82	0.77	21.8	3.88	2.64	0.83	25.7	4.16	2.50	0.90	29.7	4.43	2.38	0.95	33.5
	5	3.78	2.41	0.65	15.7	3.39	2.73	0.58	12.6	3.70	2.55	0.64	15.0	3.97	2.39	0.68	17.2	4.21	2.28	0.72	19.4
	6	3.58	2.34	0.51	9.8	3.19	2.65	0.46	7.8	3.52	2.46	0.50	9.4	3.79	2.30	0.54	10.9	4.02	2.18	0.58	12.3
	7	3.39	2.24	0.42	6.4	2.98	2.55	0.37	5.0	3.28	2.38	0.40	6.0	3.56	2.23	0.44	7.1	3.81	2.09	0.47	8.1
8	3	3.87	2.48	1.11	45.6	3.45	2.79	0.99	36.3	3.78	2.60	1.08	43.5	4.07	2.46	1.17	50.4	4.33	2.32	1.24	57.1
	4	3.70	2.40	0.80	23.4	3.28	2.70	0.71	18.5	3.59	2.54	0.77	22.0	3.87	2.38	0.83	25.7	4.12	2.25	0.89	29.1
	5	3.51	2.30	0.60	13.5	3.08	2.62	0.53	10.4	3.41	2.43	0.59	12.7	3.69	2.29	0.64	15.0	3.95	2.16	0.68	17.1
	6	3.28	2.23	0.47	8.2	2.88	2.55	0.41	6.3	3.22	2.35	0.46	7.9	3.50	2.19	0.50	9.3	3.75	2.06	0.54	10.7
	7	3.09	2.12	0.38	5.3	2.67	2.44	0.33	4.0	3.00	2.27	0.37	5.0	3.28	2.10	0.40	6.0	3.51	1.98	0.43	6.9
9	3	3.60	2.37	1.03	39.4	3.17	2.68	0.91	30.5	3.50	2.49	1.00	37.2	3.80	2.33	1.09	43.9	4.04	2.21	1.16	49.7
	4	3.40	2.29	0.73	19.7	2.98	2.60	0.64	15.2	3.29	2.41	0.71	18.6	3.58	2.27	0.77	21.9	3.83	2.13	0.82	25.2
	5	3.21	2.19	0.55	11.3	2.75	2.54	0.47	8.3	3.11	2.33	0.54	10.6	3.39	2.17	0.58	12.6	3.65	2.03	0.63	14.6
	6	3.00	2.11	0.43	6.9	2.55	2.46	0.37	4.9	2.89	2.26	0.41	6.4	3.20	2.07	0.46	7.8	3.45	1.94	0.50	9.1
	7	2.78	2.01	0.34	4.3	2.38	2.38	0.29	3.2	2.68	2.16	0.33	4.0	2.97	2.01	0.36	4.9	3.21	1.85	0.39	5.8
10	3	3.30	2.25	0.95	33.1	2.84	2.58	0.81	24.6	3.17	2.40	0.91	30.5	3.49	2.24	1.00	37.0	3.76	2.09	1.08	43.0
	4	3.10	2.16	0.67	16.4	2.63	2.53	0.56	11.8	2.99	2.32	0.64	15.3	3.29	2.15	0.71	18.6	3.54	2.01	0.76	21.5
	5	2.89	2.09	0.50	9.2	2.46	2.46	0.42	6.6	2.77	2.24	0.48	8.4	3.09	2.07	0.53	10.4	3.35	1.92	0.58	12.3
	6	2.70	2.00	0.39	5.5	2.33	2.33	0.33	4.1	2.57	2.16	0.37	5.0	2.88	1.95	0.41	6.3	3.13	1.83	0.45	7.5
	7	2.46	1.92	0.30	3.4	2.19	2.19	0.27	2.7	2.34	2.08	0.29	3.1	2.64	1.90	0.32	3.9	2.93	1.74	0.36	4.8
11	3	2.98	2.15	0.85	27.0	2.53	2.53	0.72	19.4	2.87	2.29	0.82	25.1	3.17	2.14	0.91	30.6	3.45	1.98	0.99	36.3
	4	2.79	2.07	0.60	13.4	2.40	2.40	0.52	9.9	2.68	2.20	0.58	12.3	2.98	2.03	0.64	15.3	3.26	1.90	0.70	18.2
	5	2.58	1.99	0.44	7.3	2.29	2.29	0.39	5.7	2.46	2.15	0.42	6.6	2.78	1.95	0.48	8.5	3.05	1.81	0.52	10.2
	6	2.35	1.91	0.34	4.2	2.14	2.14	0.31	3.5	2.26	2.05	0.32	3.9	2.56	1.88	0.37	5.0	2.83	1.72	0.41	6.1
	7	2.09	1.84	0.26	2.5	2.02	2.02	0.25	2.3	2.02	2.02	0.25	2.3	2.32	1.79	0.29	3.0	2.61	1.62	0.32	3.8
12	3	2.66	2.04	0.76	21.6	2.34	2.34	0.67	16.6	2.54	2.21	0.73	19.6	2.87	2.01	0.82	25.1	3.14	1.87	0.90	30.0
	4	2.47	1.98	0.53	10.4	2.23	2.23	0.48	8.5	2.34	2.13	0.50	9.4	2.67	1.94	0.57	12.2	2.95	1.79	0.63	14.9
	5	2.25	1.91	0.39	5.6	2.13	2.13	0.37	5.0	2.14	2.06	0.37	5.0	2.46	1.87	0.42	6.6	2.74	1.71	0.47	8.2
	6	2.00	1.84	0.29	3.1	1.98	1.98	0.28	3.0	1.98	1.94	0.28	3.0	2.23	1.79	0.32	3.8	2.51	1.61	0.36	4.8
	7	1.77	1.77	0.22	1.8	1.84	1.84	0.23	1.9	1.83	1.83	0.22	1.9	1.95	1.70	0.24	2.1	2.28	1.52	0.28	2.9
13	3	2.33	1.95	0.67	16.5	2.16	2.16	0.62	14.2	2.19	2.12	0.63	14.7	2.53	1.92	0.73	19.5	2.83	1.77	0.81	24.4
	4	2.13	1.88	0.46	7.8	2.06	2.06	0.44	7.2	2.06	2.02	0.44	7.2	2.33	1.87	0.50	9.3	2.63	1.68	0.56	11.8
	5	1.90	1.86	0.33	4.0	1.92	1.92	0.33	4.0	1.92	1.92	0.33	4.1	2.12	1.78	0.37	5.0	2.42	1.60	0.42	6.4
	6	1.73	1.73	0.25	2.3	1.79	1.79	0.26	2.4	1.79	1.79	0.26	2.4	1.87	1.71	0.27	2.7	2.18	1.52	0.31	3.6
	7	1.58	1.58	0.19	1.4	1.64	1.64	0.20	1.5	1.64	1.64	0.20	1.5	1.64	1.61	0.20	1.5	1.91	1.43	0.23	2.0

Cooling Capacity

TMFCC4-500																					
EWT	Δt	Air inlet condition																			
		DB:26.7 WB:19.4				DB:27 WB:18				DB:27 WB:19				DB:27 WB:20				DB:29 WB:21			
		TC	SC	WF	WPD	TC	SC	WF	WPD	TC	SC	WF	WPD	TC	SC	WF	WPD	TC	SC	WF	WPD
5	3	5.73	3.45	1.64	72.2	5.26	3.80	1.51	60.7	5.62	3.60	1.61	69.2	5.94	3.45	1.70	77.5	6.27	3.29	1.80	86.4
	4	5.51	3.35	1.19	37.5	5.06	3.68	1.09	31.7	5.42	3.50	1.17	36.3	5.74	3.35	1.23	40.7	6.03	3.18	1.30	44.8
	5	5.27	3.23	0.91	22.0	4.82	3.60	0.83	18.4	5.17	3.39	0.89	21.1	5.51	3.23	0.95	24.0	5.79	5.01	1.00	26.5
	6	5.04	3.14	0.72	13.9	4.59	3.47	0.66	11.6	4.94	3.27	0.71	13.4	5.29	3.10	0.76	15.3	5.54	2.95	0.79	16.8
	7	4.79	2.99	0.59	9.3	4.34	3.39	0.53	7.6	4.68	3.16	0.58	8.8	5.03	2.99	0.62	10.2	5.31	2.83	0.65	11.4
6	3	5.41	3.32	1.55	64.2	4.93	3.66	1.41	53.3	5.29	3.46	1.52	61.3	5.63	3.30	1.61	69.6	5.95	3.14	1.71	77.8
	4	5.19	3.20	1.12	33.3	4.71	3.54	1.01	27.4	5.07	3.34	1.09	31.8	5.41	3.19	1.16	36.1	5.71	3.04	1.23	40.3
	5	4.94	3.08	0.85	19.3	4.49	3.44	0.77	16.0	4.84	3.25	0.83	18.5	5.16	3.06	0.89	21.1	5.49	2.92	0.94	23.8
	6	4.71	2.99	0.67	12.2	4.26	3.32	0.61	10.0	4.60	3.12	0.66	11.6	4.94	2.94	0.71	13.4	5.21	2.79	0.75	14.9
	7	4.46	2.86	0.55	8.0	3.99	3.24	0.49	6.4	4.35	3.04	0.53	7.6	4.66	2.84	0.57	8.8	4.98	2.68	0.61	10.0
7	3	5.05	3.16	1.45	56.0	4.58	3.51	1.31	46.1	4.94	3.32	1.42	53.6	5.31	3.15	1.52	61.8	5.60	2.99	1.61	68.9
	4	4.84	3.05	1.04	29.0	4.34	3.44	0.93	23.3	4.71	3.21	1.01	27.4	5.06	3.05	1.09	31.7	5.38	2.89	1.16	35.8
	5	4.60	2.94	0.79	16.7	4.12	3.32	0.71	13.4	4.50	3.10	0.77	16.0	4.82	2.91	0.83	18.4	5.12	2.77	0.88	20.7
	6	4.36	2.85	0.62	10.4	3.88	3.22	0.56	8.3	4.28	2.99	0.61	10.1	4.60	2.80	0.66	11.6	4.89	2.65	0.70	13.1
	7	4.12	2.72	0.51	6.9	3.62	3.10	0.45	5.3	3.99	2.90	0.49	6.4	4.33	2.71	0.53	7.6	4.63	2.54	0.57	8.6
8	3	4.71	3.02	1.35	48.6	4.20	3.39	1.20	38.7	4.60	3.16	1.32	46.4	4.95	2.99	1.42	53.7	5.27	2.82	1.51	60.9
	4	4.50	2.92	0.97	25.0	3.99	3.28	0.86	19.7	4.36	3.09	0.94	23.5	4.71	2.89	1.01	27.4	5.01	2.74	1.08	31.0
	5	4.27	2.79	0.73	14.4	3.75	3.18	0.64	11.1	4.14	2.96	0.71	13.6	4.49	2.79	0.77	16.0	4.80	2.63	0.83	18.2
	6	3.99	2.71	0.57	8.8	3.51	3.10	0.50	6.8	3.92	2.86	0.56	8.4	4.26	2.66	0.61	10.0	4.56	2.51	0.65	11.4
	7	3.76	2.58	0.46	5.7	3.25	2.97	0.40	4.3	3.64	2.76	0.45	5.4	3.99	2.56	0.49	6.4	4.27	2.40	0.52	7.3
9	3	4.38	2.88	1.25	42.0	3.85	3.26	1.10	32.5	4.25	3.03	1.22	39.7	4.62	2.84	1.32	46.8	4.92	2.69	1.41	53.0
	4	4.13	2.78	0.89	21.1	3.62	3.16	0.78	16.2	4.01	2.94	0.86	19.8	4.35	2.76	0.94	23.4	4.66	2.59	1.00	26.8
	5	3.91	2.66	0.67	12.1	3.35	3.09	0.58	8.9	3.79	2.84	0.65	11.3	4.12	2.64	0.71	13.4	4.44	2.47	0.76	15.5
	6	3.65	2.56	0.52	7.3	3.10	2.99	0.44	5.3	3.52	2.75	0.50	6.8	3.90	2.52	0.56	8.3	4.20	2.36	0.60	9.7
	7	3.38	2.44	0.41	4.6	2.89	2.89	0.36	3.4	3.26	2.62	0.40	4.3	3.61	2.44	0.44	5.3	3.91	2.25	0.48	6.2
10	3	4.01	2.73	1.15	35.3	3.45	3.14	0.99	26.2	3.85	2.92	1.10	32.5	4.24	2.72	1.22	39.5	4.57	2.55	1.31	45.9
	4	3.77	2.63	0.81	17.5	3.19	3.07	0.69	12.6	3.64	2.82	0.78	16.3	4.01	2.62	0.86	19.8	4.31	2.45	0.93	22.9
	5	3.52	2.55	0.61	9.8	2.99	2.99	0.51	7.1	3.37	2.73	0.58	9.0	3.75	2.51	0.65	11.1	4.08	2.34	0.70	13.1
	6	3.28	2.44	0.47	5.9	2.84	2.84	0.41	4.4	3.13	2.62	0.45	5.4	3.51	2.38	0.50	6.8	3.81	2.22	0.55	8.0
	7	2.99	2.33	0.37	3.6	2.67	2.67	0.33	2.9	2.85	2.53	0.35	3.3	3.21	2.31	0.39	4.2	3.56	2.11	0.44	5.1
11	3	3.62	2.61	1.04	28.8	3.07	3.07	0.88	20.7	3.49	2.78	1.00	26.8	3.86	2.60	1.11	32.7	4.20	2.41	1.20	38.7
	4	3.40	2.52	0.73	14.2	2.92	2.92	0.63	10.5	3.26	2.68	0.70	13.1	3.63	2.47	0.78	16.3	3.97	2.31	0.85	19.4
	5	3.14	2.42	0.54	7.8	2.78	2.78	0.48	6.1	2.99	2.61	0.51	7.1	3.38	2.37	0.58	9.0	3.71	2.20	0.64	10.9
	6	2.86	2.32	0.41	4.5	2.60	2.60	0.37	3.7	2.75	2.49	0.39	4.1	3.12	2.29	0.45	5.3	3.44	2.09	0.49	6.5
	7	2.55	2.24	0.31	2.6	2.45	2.45	0.30	2.4	2.45	2.45	0.30	2.4	2.82	2.18	0.35	3.2	3.17	1.97	0.39	4.1
12	3	3.24	2.49	0.93	23.0	2.84	2.84	0.82	17.8	3.08	2.68	0.88	20.9	3.49	2.45	1.00	26.8	3.82	2.28	1.09	32.0
	4	3.00	2.40	0.65	11.1	2.71	2.71	0.58	9.1	2.85	2.59	0.61	10.0	3.25	2.36	0.70	13.0	3.59	2.18	0.77	15.9
	5	2.74	2.32	0.47	5.9	2.59	2.59	0.45	5.3	2.60	2.51	0.45	5.3	2.99	2.27	0.51	7.1	3.33	2.08	0.57	8.8
	6	2.44	2.24	0.35	3.3	2.41	2.41	0.35	3.2	2.41	2.36	0.35	3.2	2.71	2.18	0.39	4.0	3.05	1.96	0.44	5.1
	7	2.16	2.16	0.26	1.9	2.24	2.24	0.28	2.0	2.22	2.22	0.27	2.0	2.37	2.06	0.29	2.3	2.77	1.84	0.34	3.1
13	3	2.83	2.38	0.81	17.6	2.62	2.62	0.75	15.1	2.67	2.58	0.77	15.6	3.08	2.33	0.88	20.8	3.44	2.15	0.99	26.0
	4	2.59	2.29	0.56	8.3	2.50	2.50	0.54	7.7	2.50	2.45	0.54	7.7	2.83	2.27	0.61	9.9	3.19	2.05	0.69	12.6
	5	2.31	2.26	0.40	4.2	2.33	2.33	0.40	4.3	2.34	2.34	0.40	4.3	2.58	2.16	0.44	5.3	2.94	1.95	0.51	6.8
	6	2.10	2.10	0.30	2.4	2.18	2.18	0.31	2.6	2.18	2.18	0.31	2.6	2.28	2.08	0.33	2.9	2.66	1.84	0.38	3.9
	7	1.92	1.92	0.24	1.5	1.99	1.99	0.24	1.6	2.00	2.00	0.25	1.6	2.00	1.95	0.25	1.6	2.32	1.74	0.29	2.2

Cooling capacity modification coefficient table:

Speed	300		400		500	
	TC	SC	TC	SC	TC	SC
High	1	1	1	1	1	1
Mid	0.86	0.82	0.86	0.81	0.8	0.76

Low	0.72	0.7	0.72	0.69	0.68	0.64
-----	------	-----	------	------	------	------

Heating Capacity:

Δt: Temperature Difference (°C) **TH:** Total Heating Capacity (kW) **WF:** Water Flow (m³/h) **WPD:** Water Pressure Drop (kPa)

Four-way Cassette

TMFCC4-600																									
Δt		Air inlet temp. (20°C DB)																							
		Water inlet temp. (°C)																							
		35			40			45			50			55			60			65			70		
		TH	WF	WPD	TH	WF	WPD	TH	WF	WPD	TH	WF	WPD	TH	WF	WPD	TH	WF	WPD	TH	WF	WPD	TH	WF	WPD
10	3.3	0.3	1.8	5.1	0.4	4.4	7.1	0.6	8.4	9.0	0.8	13.3	10.9	0.9	19.4	12.8	1.1	26.9	14.6	1.3	35.2	16.5	1.4	44.6	
8	3.6	0.4	3.4	5.7	0.6	8.2	7.6	0.8	14.8	9.5	1.0	23.0	11.3	1.2	32.7	13.1	1.4	44.3	15.0	1.6	57.6	16.8	1.8	72.6	
6	4.2	0.6	8.1	6.1	0.9	17.2	7.9	1.1	28.9	9.9	1.2	44.6	11.7	1.7	63.0	13.6	1.9	84.4	15.3	2.2	107.2	17.3	2.5	136.3	
TMFCC4-750																									
Δt		Air inlet temp. (20°C DB)																							
		Water inlet temp. (°C)																							
		35			40			45			50			55			60			65			70		
		TH	WF	WPD	TH	WF	WPD	TH	WF	WPD	TH	WF	WPD	TH	WF	WPD	TH	WF	WPD	TH	WF	WPD	TH	WF	WPD
10	3.9	0.3	1.9	6.1	0.5	4.6	8.5	0.7	8.8	10.7	0.9	14.1	12.9	1.1	20.5	15.2	1.3	28.4	17.4	1.5	37.2	19.6	1.7	47.1	
8	4.3	0.5	3.6	6.7	0.7	8.7	9.0	1.0	15.6	11.3	1.1	24.3	13.4	1.4	34.6	15.6	1.7	46.8	17.8	1.9	60.8	20.0	2.2	76.7	
6	5.0	0.7	8.6	7.3	1.0	18.2	9.5	1.4	30.6	11.8	1.7	47.1	14.0	2.0	66.6	16.2	2.3	89.1	18.2	2.6	113.2	20.6	2.9	144.0	
TMFCC4-850																									
Δt		Air inlet temp. (20°C DB)																							
		Water inlet temp. (°C)																							
		35			40			45			50			55			60			65			70		
		TH	WF	WPD	TH	WF	WPD	TH	WF	WPD	TH	WF	WPD	TH	WF	WPD	TH	WF	WPD	TH	WF	WPD	TH	WF	WPD
10	4.2	0.4	2.0	6.6	0.6	5.0	9.1	0.8	9.6	11.5	1.0	15.2	13.9	1.2	22.2	16.3	1.4	30.7	18.7	1.6	40.2	21.0	1.8	51.0	
8	4.6	0.5	3.9	7.2	0.8	9.4	9.7	1.0	16.9	12.1	1.2	26.3	14.4	1.5	37.4	16.7	1.8	50.6	19.1	2.1	65.9	21.4	2.3	83.1	
6	5.4	0.8	9.3	7.8	1.1	19.7	10.1	1.5	33.1	12.6	1.6	51.0	15.0	2.1	72.1	17.3	2.5	96.5	19.5	2.8	122.5	22.0	3.2	155.9	
TMFCC4-950																									
Δt		Air inlet temp. (20°C DB)																							
		Water inlet temp. (°C)																							
		35			40			45			50			55			60			65			70		
		TH	WF	WPD	TH	WF	WPD	TH	WF	WPD	TH	WF	WPD	TH	WF	WPD	TH	WF	WPD	TH	WF	WPD	TH	WF	WPD
10	4.7	0.4	2.4	7.4	0.6	5.9	10.2	0.9	11.2	12.8	1.1	17.9	15.5	1.3	26.1	18.3	1.6	36.2	20.9	1.8	47.3	23.5	2.0	60.0	
8	5.2	0.6	4.6	8.1	0.9	11.1	10.8	1.2	19.9	13.5	1.3	31.0	16.1	1.7	44.0	18.7	2.0	59.6	21.4	2.3	77.5	24.0	2.6	97.7	
6	6.0	0.9	10.9	8.8	1.3	23.2	11.4	1.6	38.9	14.1	1.7	60.0	16.8	2.4	84.8	19.4	2.8	113.5	21.9	3.1	144.2	24.7	3.5	183.4	
TMFCC4-1200																									
Δt		Air inlet temp. (20°C DB)																							
		Water inlet temp. (°C)																							
		35			40			45			50			55			60			65			70		
		TH	WF	WPD	TH	WF	WPD	TH	WF	WPD	TH	WF	WPD	TH	WF	WPD	TH	WF	WPD	TH	WF	WPD	TH	WF	WPD
10	5.9	0.5	3.3	9.3	0.8	8.0	12.9	1.1	15.4	16.3	1.4	24.5	19.7	1.7	35.8	23.2	2.0	49.5	26.5	2.3	64.8	29.8	2.6	82.2	
8	6.6	0.7	6.3	10.3	1.1	15.2	13.7	1.5	27.3	17.1	1.7	42.4	20.4	2.2	60.3	23.8	2.6	81.6	27.1	2.9	106.2	30.5	3.3	133.9	
6	7.6	1.1	15.0	11.1	1.6	31.7	14.4	2.1	53.3	17.9	2.3	82.2	21.3	3.1	116.2	24.6	3.5	155.5	27.7	4.0	197.5	31.3	4.5	251.3	

Heating Capacity

TMFCC4-1500																										
Δt	Air inlet temp. (20°C DB)																									
	Water inlet temp. (°C)																									
	35			40			45			50			55			60			65			70				
	TH	WF	WPD	TH	WF	WPD	TH	WF	WPD	TH	WF	WPD	TH	WF	WPD	TH	WF	WPD	TH	WF	WPD	TH	WF	WPD	TH	WF
10	6.0	0.5	2.0	9.4	0.8	4.9	13.0	1.1	9.4	16.4	1.4	15.0	19.8	1.7	21.9	23.3	2.0	30.3	26.6	2.3	39.6	30.0	2.6	50.2		
8	6.6	0.7	3.8	10.3	1.1	9.3	13.8	1.5	16.7	17.2	1.9	25.9	20.6	2.2	36.9	23.9	2.6	49.9	27.3	2.9	64.9	30.6	3.3	81.8		
6	7.7	1.1	9.1	11.2	1.6	19.4	14.5	2.1	32.6	18.0	2.6	50.2	21.4	3.1	71.0	24.8	3.5	95.0	27.9	4.0	120.7	31.5	4.5	153.5		

Heating capacity modification coefficient table:

Speed	600	750	850	950	1200	1500
	TH	TH	TH	TH	TH	TH
High	1	1	1	1	1	1
Med	0.79	0.78	0.79	0.8	0.78	0.79
Low	0.64	0.65	0.63	0.65	0.64	0.66

Compact four-way cassette

TMFCC4-300																										
Δt	Air inlet temp. (20°C DB)																									
	Water inlet temp. (°C)																									
	35			40			45			50			55			60			65			70				
	TH	WF	WPD	TH	WF	WPD	TH	WF	WPD	TH	WF	WPD	TH	WF	WPD	TH	WF	WPD	TH	WF	WPD	TH	WF	WPD	TH	WF
10	1.36	0.12	0.8	2.14	0.18	2.0	2.96	0.25	3.7	3.73	0.32	6.0	4.51	0.39	8.7	5.30	0.46	12.1	6.07	0.52	15.8	6.83	0.59	20.0		
8	1.51	0.16	1.5	2.35	0.25	3.7	3.15	0.34	6.6	3.93	0.42	10.3	4.68	0.50	14.7	5.45	0.59	19.9	6.21	0.67	25.8	6.98	0.75	32.6		
6	1.75	0.25	3.6	2.55	0.37	7.7	3.30	0.47	13.0	4.10	0.59	20.0	4.87	0.70	28.3	5.64	0.81	37.8	6.36	0.91	48.1	7.17	1.03	61.1		

TMFCC4-400																										
Δt	Air inlet temp. (20°C DB)																									
	Water inlet temp. (°C)																									
	35			40			45			50			55			60			65			70				
	TH	WF	WPD	TH	WF	WPD	TH	WF	WPD	TH	WF	WPD	TH	WF	WPD	TH	WF	WPD	TH	WF	WPD	TH	WF	WPD	TH	WF
10	1.73	0.15	0.8	2.71	0.23	2.0	3.75	0.32	3.9	4.73	0.41	6.2	5.72	0.49	9.0	6.73	0.58	12.5	7.70	0.66	16.3	8.67	0.75	20.7		
8	1.92	0.21	1.6	2.98	0.32	3.8	3.99	0.43	6.9	4.98	0.54	10.7	5.94	0.64	15.2	6.91	0.74	20.5	7.88	0.85	26.7	8.85	0.95	33.7		
6	2.22	0.32	3.8	3.23	0.46	8.0	4.19	0.60	13.4	5.20	0.75	20.7	6.18	0.89	29.2	7.15	1.03	39.1	8.06	1.16	49.7	9.09	1.30	63.2		

TMFCC4-500																										
Δt	Air inlet temp. (20°C DB)																									
	Water inlet temp. (°C)																									
	35			40			45			50			55			60			65			70				
	TH	WF	WPD	TH	WF	WPD	TH	WF	WPD	TH	WF	WPD	TH	WF	WPD	TH	WF	WPD	TH	WF	WPD	TH	WF	WPD	TH	WF
10	2.06	0.18	0.8	3.23	0.28	2.0	4.47	0.38	3.8	5.64	0.49	6.1	6.82	0.59	9.0	8.02	0.69	12.4	9.18	0.79	16.2	10.33	0.89	20.5		
8	2.28	0.25	1.6	3.56	0.38	3.8	4.76	0.51	6.8	5.94	0.64	10.6	7.08	0.76	15.1	8.24	0.89	20.4	9.39	1.01	26.5	10.55	1.13	33.5		
6	2.64	0.38	3.7	3.85	0.55	7.9	4.99	0.72	13.3	6.20	0.89	20.5	7.37	1.06	29.0	8.53	1.22	38.8	9.61	1.38	49.4	10.84	1.55	62.8		

Heating capacity modification coefficient table:

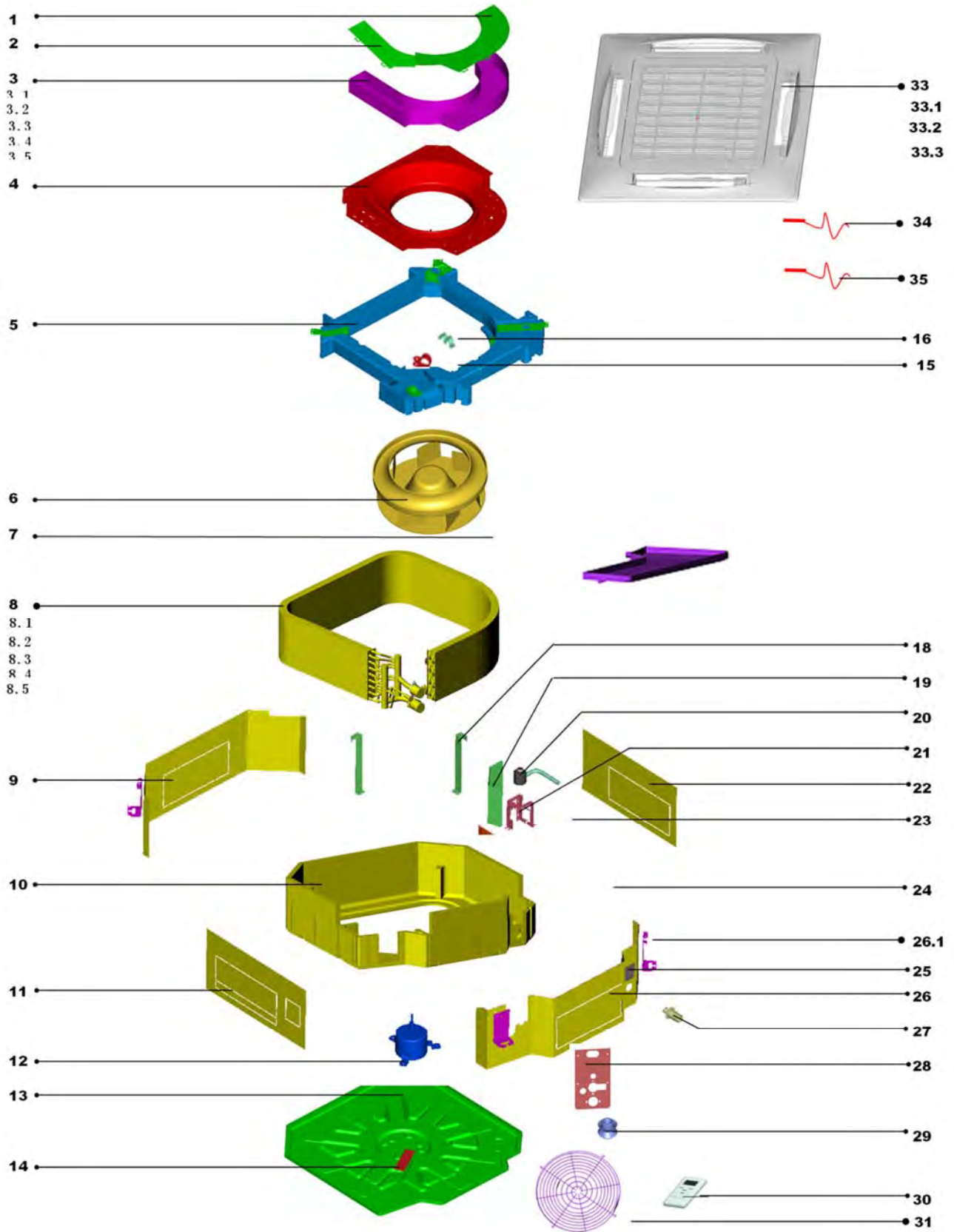
Speed	300	400	500
	TH	TH	TH
High	1	1	1
Mid	0.86	0.84	0.79
Low	0.77	0.75	0.68

Altitude modification coefficient table:

Altitude (m)	TC	SC	TH
500	0.98	0.95	0.95
1000	0.97	0.91	0.91
1500	0.95	0.86	0.86
2000	0.94	0.82	0.82
2500	0.93	0.78	0.78
3000	0.91	0.74	0.7

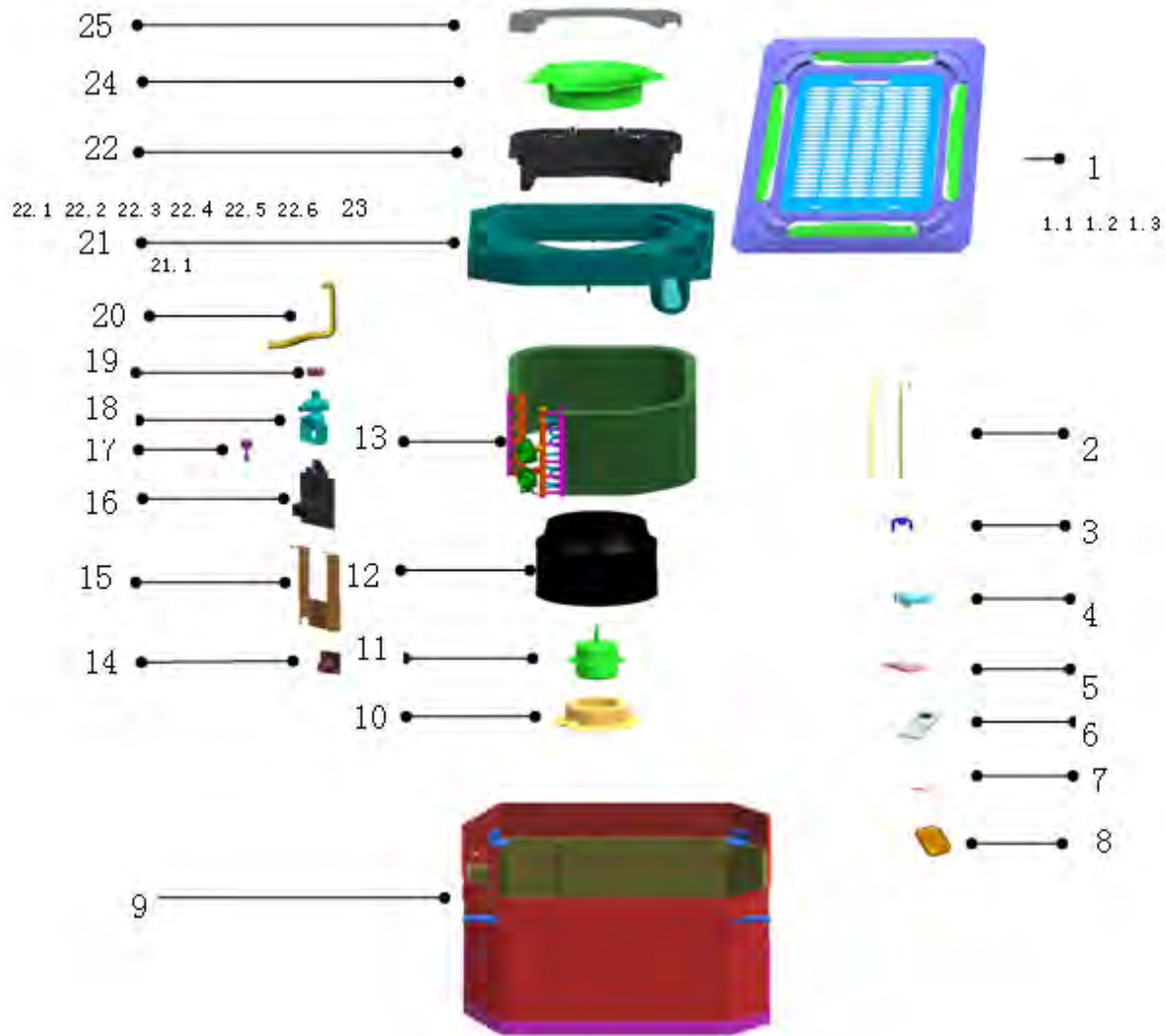
10. Exploded View

Four-way Cassette: TMFCC4-600, TMFCC4-750, TMFCC4-850, TMFCC4-950, TMFCC4-1200, TMFCC4-1500



No.	Part Name	Qty	No.	Part Name	Qty
1	Electric control box head cover I	1	16	Wire clip	1
2	Electric control box head cover II	1	17	Drip tray assembly	1
3	Electric control box assembly of indoor unit	1	18	Evaporator fixing hook	3
3.1	Electric control box welded assembly	1	19	Water pump baffle plate	1
3.2	Transformer	1	20	Water drain pump subassembly	1
3.3	Capacitor	1	21	Water pump installation bracket subassembly	1
3.4	Four sides air outlet indoor main control plate	1	22	Front barrier IV subassembly	1
3.5	7-hole wiring terminal	1	23	Water pump pumping pipe grommet	1
4	Air inducting coils subassembly	1	24	Fan fixer	1
5	Foam subassembly, drain tray	1	25	Water finder cover subassembly	1
6	Fan assembly	1	26	Front barrier III subassembly	1
7	Evaporator fixing board	1	26.1	Install lifting lug	4
8	Evaporator assembly	1	27	Water pumping connect pipe	1
8.1	Evaporator	1	28	Exhalant tube seal plate subassembly	1
8.2	Evaporator output tube assembly	1	29	Water pump's rubber pad	1
8.3	Evaporator filter assembly	1	30	Remote controller	1
8.4	Barrel	1	31	Fan protecting net	1
8.5	Discharge assembly	1	32	Bracket, remote controller	1
9	Front barrier I subassembly	1	33	Front panel	1
10	Foam seat subassembly	1	33.1	Panel assembly	1
11	Front barrier II subassembly	1	33.2	Swing motor	2
12	Asynchronous dynamo	1	33.3	Room temperature sensor	1
13	Base pan welded assembly	1	34	Evaporator temperature sensor	1
14	Plate, wire	1	35	Drain water level sensor	1
15	Tandem, wire	1			

Compact Four-way Cassette: TMFCC4-300, TMFCC4-400, TMFCC4-500



No.	Part Name	Quantity	No.	Part Name	Quantity
1	Panel	1	16	Drain pump installation base	1
1.1	Display board	1	17	Water level sensor ass'y	1
1.2	Swing motor	1	18	Drain pump	1
1.3	Room temp sensor ass'y	1	19	Guard against block up net	1
2	Evaporator hang board	2	20	Drain pipe	1
3	Wire clamp	1	21	Drainage pan ass'y	1
4	Wire box	1	21.1	Plug	1
5	Cover box	1	22	E-part box ass'y	1
6	Remote controller	1	22.1	Main control board ass'y	1
7	Temp. sensor ass'y	1	22.2	Transformer	1
8	Remote controller holder ass'y	1	22.3	Wire joint	2
9	Base ass'y	1	22.4	E-part box	1
10	Motor installation base	1	22.5	Wire joint installation base	1
11	Motor	1	22.6	Fixture clip	3
12	Centrifugal fan	1	23	Motor capacitor	1
13	Evaporator ass'y	1	24	Ring	1
14	Connecting pipe	1	25	E-Part box cover	1
15	Evaporator fixing board	1			



Air Conditioning Systems

Cooling & Heating

TRUST AIR-CONDITIONING EQUIPMENT CO.

Shiraz office: 8 th floor, Alvand Bldg., Dostan St.,
Moaliabad Ave., SHIRAZ, IRAN., Post code: 71877-14446

Tel.: +98-71-36341070

Fax.: +98-71-36341094

Tehran office: No. 19- koohe nour St.- Motahhari St.-

TEHRAN, IRAN., Post code: 15876-73111

Tel.: +98-21-89389

Fax.: +98-21-88541903

Ahwaz office: No. 309- Kaveh St.- AHWAZ, IRAN., Post code: 61939-47911

Tel.: +98-61-32230647-8

Fax.: +98-61-32230647

E-mail: info@trustacs.com

Web site: <http://www.trustacs.com>

برند برتر در اولین جشنواره بین المللی
برترین نام و نشان های تجاری ایران

