

# EXPOSED FLOOR STANDING VRF INDOOR UNIT



---

TRUST AIR CONDITIONING EQUIPMENT CO.  
Prepared By: Engineering & R & D Department.

# Floor Standing

1. Features.....	2
2. Specifications .....	3
3. Dimensions .....	9
4. Service Spaces .....	12
5. Piping Diagrams .....	13
6. Wiring Diagrams .....	14
7. Capacity Tables.....	15
8. Electrical Characteristics .....	20
9.Sound Levels .....	21
10. Accessories.....	23

**توجه:**

**شرکت تراست حق تغییر مشخصات دستگاه‌ها را در جهت بهبود و ارتقای کیفیت برای خود محفوظ می‌دارد.**

2015-04

## 1. Feature

### 1.1 Exposed & Concealed type



**Air intake from front (F series)**



**Air intake from below (B series)**



**Concealed type (C series)**

### 1.2 Lower noise

Flat shape air outlet, three speeds adjustment. Smoother airflow with less turbulence.

Adoption of the built-in Fujikoki brand electrical expansion valve, ensures precise flow control, as well as lower modulation noise when EXV operating.

### 1.3 Easy Installation

Floor standing types can be hung on the wall or installed on the floor. The former can make cleaning and maintenance much more easily. Running the piping from the back allows the unit to be hung on walls. Cleaning under the unit, where dust tends to accumulate, is considerably easier.

### 1.4 Easy maintenance

Filter is equipped as standard accessory; and it can be removed and cleaned easily due to Trust's sophisticated design as well as the removable blades.

Streamlined appearance makes it much more harmonious with the decoration. All metal parts are made of commercial grade galvanized steel, providing maximum protection against corrosion.

### 1.5 Auto restart

When the indoor unit is powered off, it will auto restart when powered on again after 3 minutes and operate in the original state.

## 2. Specifications

Model			TMVFSF022/I4WN1S	TMVFSF028/I4WN1S	TMVFSF036/I4WN1S	
			TMVFS022/I4WN1S	TMVFSB028/I4WN1S	TMVFSB036/I4WN1S	
Power supply		V- Ph-Hz	220-240V, 1Ph, 50Hz			
Cooling	Capacity	kW	2.2	2.8	3.6	
	Input	W	40	46	55	
	Rated current	A	0.18	0.19	0.22	
Heating	Capacity	kW	2.4	3.2	4.0	
	Input	W	40	46	46	
	Rated current	A	0.18	0.19	0.22	
Indoor fan motor	Model		YSK20-4A	YSK20-4A	YSK20-6	
	Type		AC motor			
	Brand		Welling	Welling	Yongan	
	Input	W	40	42	49	
	Capacitor	μF	0.8	1	1.2	
	Speed (h/m/l)	r/min	870/745/660	935/810/720	750/645/500	
Indoor coil	Number of rows		2	2	3	
	Tube pitch(a)x row pitch(b)	mm	25.4*22	25.4*22	25.4*22	
	Fin spacing	mm	1.8	1.8	1.8	
	Fin type		Hydrophilic aluminum			
	Tube outside diameter and		Φ9.52 Inner grooved tube			
	Coil length×height×width	mm	568×254×44	568×254×44	768×254×66	
	Number of circuits		3	3	3	
Indoor air flow (H/M/L)		m <sup>3</sup> /h	530/456/400	569/485/421	624/522/375	
Indoor noise level (Hi/Mid/Lo)	F4	dB(A)	36/33/29	36/33/29	37/34/30	
	F5		36/33/29	36/33/29	37/34/30	
Indoor unit	Dimension (W×H×D)	F4	mm	1000×569×225	1000×569×225	1200×596×225
		F5	mm	1000×677×220	1000×677×220	1200×677×220
	Packing (W×H×D)	F4	mm	1089×683×312	1089×683×312	1289×683×312
		F5	mm	1182×683×312	1182×683×312	1382×683×312
	Net/Gross weight	F4	kg	30/35	30/35	36/44
		F5	kg	30/38	30/38	35.5/41
Refrigerant type			R410A			
Throttle		Type	EXV (Built-in)			
		Model	D20MISZ-1R(L)			
Design pressure		MPa	4.4/2.6			
Refrigerant piping	Liquid side/ Gas side	mm	Φ 6.35/Φ12.7	Φ 6.35/Φ12.7	Φ 6.35/Φ12.7	
Connecting wiring	Power wiring	mm <sup>2</sup>	3×2.5(L≤20m); 3×3.5(L≤50m)			
	Signal wiring	mm <sup>2</sup>	3×0.75			
Drainage water pipe diameter		mm	ODΦ25			
Controller			Wireless remote controller (RM05/BG(T)E-A)			

**Notes:** 1. Nominal cooling capacities are based on the following conditions: return air temperature: 27°CDB, 19°CWB, outdoor temperature: 35°CDB, equivalent ref. Piping: 8m(horizontal)

2. Nominal heating capacities are based on the following conditions: return air temperature: 20°CDB, outdoor temperature: 7°CDB, 6°CWB, equivalent ref. Piping: 8m(horizontal)

## Floor Standing

Model			TMVFSF045/I4WN1S	TMVFSF056/I4WN1S
			TMVFSB045/I4WN1S	TMVFSB056/I4WN1S
Power supply		V- Ph-Hz	220-240V, 1Ph, 50Hz	
Cooling	Capacity	kW	4.5	5.6
	Input	W	49	88
	Rated current	A	0.22	0.43
Heating	Capacity	kW	5.0	6.3
	Input	W	49	88
	Rated current	A	0.22	0.43
Indoor fan motor	Model		YSK20-6	YSK28-4E
	Type		AC motor	
	Brand		Yongan	Welling
	Input	W	49	95
	Capacitor	μF	2	2.5
	Speed (h/m/l)	r/min	820/745/600	915/770/660
Indoor coil	Number of rows		3	2
	Tube pitch(a)x row pitch(b)	mm	25.4×22	25.4×22
	Fin spacing	mm	1.8	1.8
	Fin type		Hydrophilic aluminum	
	Tube outside diameter and	mm	Φ9.52 Inner grooved tube	
	Coil length×height×width	mm	768×254×66	1068×254×44
	Number of circuits		3	4
Indoor air flow (H/M/L)		m <sup>3</sup> /h	660/542/440	1150/970/830
Indoor noise level (H/M/L)	F4	dB(A)	37/34/30	41/35/31
	F5		37/34/30	41/35/31
Indoor unit	Dimension (W×H×D)	F4	1200×596×225	1500×596×225
		F5	1200×677×220	1500×677×220
	Packing (W×H×D)	F4	1289×683×312	1589×683×312
		F5	1382×683×312	1682×683×312
	Net/Gross weight	F4	36/44	41/46.5
		F5	35.5/41	42/51
Refrigerant type			R410A	
Throttle	Type	EXV (Built-in)		
	Model	D20MISZ-1R(L)		
Design pressure		MPa	4.4/2.6	
Refrigerant piping	Liquid side/ Gas	mm	Φ6.35/Φ12.7	Φ9.53/Φ15.9
Connecting wiring	Power wiring	mm <sup>2</sup>	3×2.5(L≤20m); 3×3.5(L≤50m)	
	Signal wiring	mm <sup>2</sup>	3×0.75	
Drainage water pipe diameter		mm	ODΦ25	
Controller			Wireless remote controller (RM05/BG(T)E-A)(Standard)	

**Notes:** 1. Nominal cooling capacities are based on the following conditions: return air temperature : 27°CDB, 19°CWB, outdoor temperature:35°CDB,equivalent ref. Piping: 8m(horizontal)

2. Nominal heating capacities are based on the following conditions: return air temperature: 20°CDB,outdoor temperature: 7°CDB,6°CWB,equivalent ref. Piping: 8m(horizontal)

Model			TMVFSF071/I4WN1S	TMVFSF080/I4WN1S	
			TMVFSB071/I4WN1S	TMVFSB080/I4WN1S	
Power supply		V- Ph-Hz	220-240V, 1Ph, 50Hz		
Cooling	Capacity	kW	7.1	8.0	
	Input	W	130	130	
	Rated current	A	0.63	0.63	
Heating	Capacity	kW	8.0	9.0	
	Input	W	130	130	
	Rated current	A	0.63	0.63	
Indoor fan motor	Model		YSK74-4E	YSK74-4E	
	Type		AC motor		
	Brand		Yongan	Yongan	
	Input	W	138.5	138.5	
	Capacitor	μF	3	3	
	Speed (h/m/l)	r/min	1120/1020/880	1120/1020/880	
Indoor coil	Number of rows		2	3	
	Tube pitch(a)x row pitch(b)		mm	25.4×22	
	Fin spacing		mm	1.8	
	Fin type		Hydrophilic aluminum		
	Tube outside diameter and type		mm	Φ9.52 inner grooved tube	
	Coil length×height×width		mm	1068×254×44	1068×254×66
	Number of circuits			4	3
Indoor air flow (H/M/L)		m <sup>3</sup> /h	1380/1100/870	1380/1100/870	
Indoor noise level (H/M/L)		F4	dB(A)		
		F5	44/39/33	44/39/33	
Indoor unit	Dimension (W×H×D)	F4	mm	1500×596×225	1500×596×225
		F5	1500×677×220	1500×677×220	
	Packing (W×H×D)	F4	mm	1589×683×312	1589×683×312
		F5	1682×683×312	1682×683×312	
	Net/Gross weight	F4	kg	41/46.5	42.5/48.5
		F5	42/51	44/53	
Refrigerant type			R410A		
Throttle		Type	EXV (Built-in)		
		Model	D20MISZ-1R(L)		
Design pressure		MPa	4.4/2.6		
Refrigerant piping	Liquid side/ Gas side	mm	Φ9.53/Φ15.9	Φ9.53/Φ15.9	
Connecting wiring	Power wiring	mm <sup>2</sup>	3×2.5(L≤20m); 3×3.5(L≤50m)		
	Signal wiring	mm <sup>2</sup>	3×0.75		
Drainage water pipe diameter		mm	ODΦ25		
Controller			Wireless remote controller (RM05/BG(T)E-A) (Standard)		

**Notes:** 1. Nominal cooling capacities are based on the following conditions: return air temperature : 27°CDB, 19°CWB, outdoor temperature:35°CDB,equivalent ref. Piping: 8m(horizontal)

2. Nominal heating capacities are based on the following conditions: return air temperature: 20°CDB,outdoor temperature: 7°CDB,6°CWB,equivalent ref. Piping: 8m(horizontal)

## Floor Standing

Model			TMVFSC022/I4WN1S	TMVFSC028/I4WN1S	TMVFSC036/I4WN1S
Power supply		V- Ph-Hz	220-240V, 1Ph, 50Hz		
Cooling	Capacity	kW	2.2	2.8	3.6
	Input	W	40	46	46
	Rated current	A	0.18	0.21	0.22
Heating	Capacity	kW	2.6	3.2	4.0
	Input	W	40	46	46
	Rated current	A	0.18	0.21	0.22
Indoor fan motor	Model		YSK20-4A	YSK20-4A	YSK20-6
	Type		AC motor		
	Brand		Welling		Yongan
	Input	W	42/37/34	42/37/34	49/40/34
	Capacitor	μF	0.8/450	1/450	1.2/450
	Speed (h/m/l)	r/min	795/753/670	935/810/720	830/750/470
Indoor coil	Number of rows		2	2	3
	Tube pitch(a)x row pitch(b)	mm	25.4×22	25.4×22	25.4×22
	Fin spacing	mm	1.8	1.8	1.8
	Fin type		Hydrophilic aluminum		
	Tube outside diameter and	mm	Φ9.52 Inner grooved tube		
	Coil length×height×width	mm	568×254×44	568×254×44	768×254×66
	Number of circuits		3	3	3
Indoor air flow (H/M/L)		m <sup>3</sup> /h	530/456/400	569/485/421	624/522/375
Indoor noise level (H/M/L)		dB(A)	36/33/29	36/33/29	37/34/30
Indoor unit	Dimension (W×H×D)		840×545×212	840×545×212	1040×545×212
	Packing (W×H×D)		939×639×305	939×639×305	1139×639×305
	Net/Gross weight		25/27	25/27	29.5/34
Refrigerant type			R410A		
Throttle		Type	EXV (Built-in)		
		Model	D20MISZ-1R(L)		
Design pressure		MPa	4.4/2.6		
Refrigerant piping	Liquid side/ Gas side	mm	Φ 6.35/Φ12.7	Φ 6.35/Φ12.7	Φ 6.35/Φ12.7
Connecting wiring	Power wiring	mm <sup>2</sup>	3×2.5(L≤20m); 3×3.5(L≤50m)		
	Signal wiring	mm <sup>2</sup>	3×0.75		
Drainage water pipe diameter		mm	ODΦ25		
Controller			Wireless remote controller (RM05/BG(T)E-A)(Standard)		

**Notes:** 1. Nominal cooling capacities are based on the following conditions: return air temperature : 27°CDB, 19°CWB, outdoor temperature:35°CDB,equivalent ref. Piping: 8m(horizontal)

2. Nominal heating capacities are based on the following conditions: return air temperature: 20°CDB,outdoor temperature: 7°CDB,6°CWB,equivalent ref. Piping: 8m(horizontal)

Model			TMVFSC045/I4WN1S	TMVFSC056/I4WN1S
Power supply		V- Ph-Hz	220-240V, 1Ph, 50Hz	
Cooling	Capacity	kW	4.5	5.6
	Input	W	49	88
	Rated current	A	0.22	0.4
Heating	Capacity	kW	5.0	6.3
	Input	W	49	88
	Rated current	A	0.22	0.4
Indoor fan motor	Model		YSK20-6	YSK28-4E
	Type		AC motor	
	Brand		Yongan	Welling
	Input	W	49/40/34	95/77/67
	Capacitor	μF	2/450	2.5/450
	Speed (h/m/l)	r/min	880/790/555	915/770/660
Indoor coil	Number of rows		3	2
	Tube pitch(a)x row pitch(b)	mm	25.4×22	25.4×22
	Fin spacing	mm	1.8	1.8
	Fin type		Hydrophilic aluminum	
	Tube outside diameter and	mm	Φ9.52 Inner grooved tube	
	Coil length×height×width	mm	768×254×66	1068×254×44
	Number of circuits		3	4
Indoor air flow (H/M/L)		m <sup>3</sup> /h	660/542/440	1150/970/830
Indoor noise level (H/M/L)		dB(A)	37/34/30	41/35/31
Indoor unit	Dimension (W×H×D)	mm	1040×545×212	1340×545×212
	Packing (W×H×D)	mm	1139×639×305	1425×639×305
	Net/Gross weight	kg	29.5/34	33/39
Refrigerant type			R410A	
Throttle	Type		EXV (Built-in)	
	Model		D20MISZ-1R(L)	
Design pressure		MPa	4.4/2.6	
Refrigerant piping	Liquid side/ Gas	mm	Φ6.35/Φ12.7	Φ9.53/Φ15.9
Connecting wiring	Power wiring	mm <sup>2</sup>	3×2.5(L≤20m); 3×3.5(L≤50m)	
	Signal wiring	mm <sup>2</sup>	3×0.75	
Drainage water pipe diameter		mm	ODΦ25	
Controller			Wireless remote controller (RM05/BG(T)E-A) (Standard)	

**Notes:** 1. Nominal cooling capacities are based on the following conditions: return air temperature : 27°CDB, 19°CWB, outdoor temperature:35°CDB,equivalent ref. Piping: 8m(horizontal)

2. Nominal heating capacities are based on the following conditions: return air temperature: 20°CDB,outdoor temperature: 7°CDB,6°CWB,equivalent ref. Piping: 8m(horizontal)



## Floor Standing

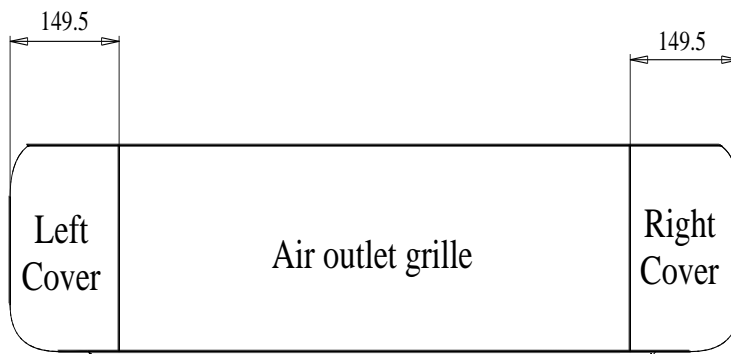
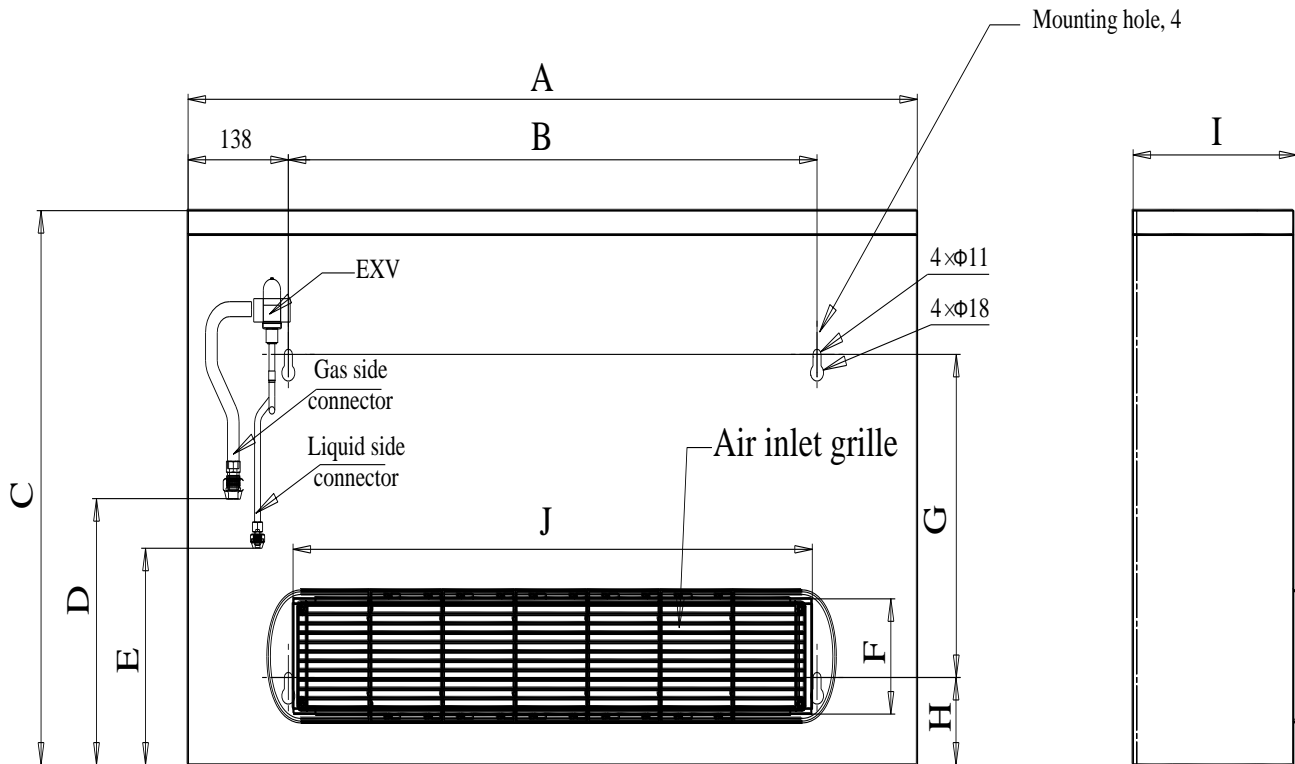
Model			TMVFSC071/I4WN1S	TMVFSC080/I4WN1S
Power supply		V-Ph-Hz	220-240V, 1Ph, 50Hz	
Cooling	Capacity	kW	7.1	8.0
	Input	W	130	130
	Rated current	A	0.56	0.59
Heating	Capacity	kW	8.0	9.0
	Input	W	130	130
	Rated current	A	0.56	0.59
Indoor fan motor	Model		YSK74-4E	YSK74-4E
	Type		AC motor	
	Brand		Yongan	Yongan
	Input	W	138.5/119/97	138.5/119/97
	Capacitor	μF	3/450	3/450
	Speed (h/m/l)	r/min	1120/1020/880	1120/1020/880
Indoor coil	Number of rows		2	3
	Tube pitch(a)x row pitch(b)	mm	25.4×22	25.4×22
	Fin spacing	mm	1.8	1.8
	Fin type		Hydrophilic aluminum	
	Tube outside diameter and type	mm	Φ9.52 inner grooved tube	
	Coil length×height×width	mm	1068×254×44	1068×254×66
	Number of circuits		4	3
Indoor air flow (H/M/L)		m <sup>3</sup> /h	1380/1100/870	1380/1100/870
Indoor noise level (H/M/L)		dB(A)	44/39/33	44/39/33
Indoor unit	Dimension (W×H×D)	mm	1340×545×212	1340×545×212
	Packing (W×H×D)	mm	1425×639×305	1425×639×305
	Net/Gross weight	kg	33/39	36/40
Refrigerant type		R410A		
Throttle	Type	EXV (Built-in)		
	Model	D20MISZ-1R(L)		
Design pressure		MPa	4.4/2.6	
Refrigerant piping	Liquid side/ Gas	mm	Φ9.53/Φ16	Φ9.53/Φ16
Connecting wiring	Power wiring	mm <sup>2</sup>	3×2.5(L≤20m); 3×3.5(L≤50m)	
	Signal wiring	mm <sup>2</sup>	3×0.75	
Drainage water pipe diameter		mm	ODΦ25	
Controller		Wireless remote controller (RM05/BG(T)E-A)(Standard)		

**Notes:** 1. Nominal cooling capacities are based on the following conditions: return air temperature : 27°CDB, 19°CWB, outdoor temperature:35°CDB,equivalent ref. Piping: 8m(horizontal)

2. Nominal heating capacities are based on the following conditions: return air temperature: 20°CDB,outdoor temperature: 7°CDB,6°CWB,equivalent ref. Piping: 8m(horizontal)

### 3. Dimensions

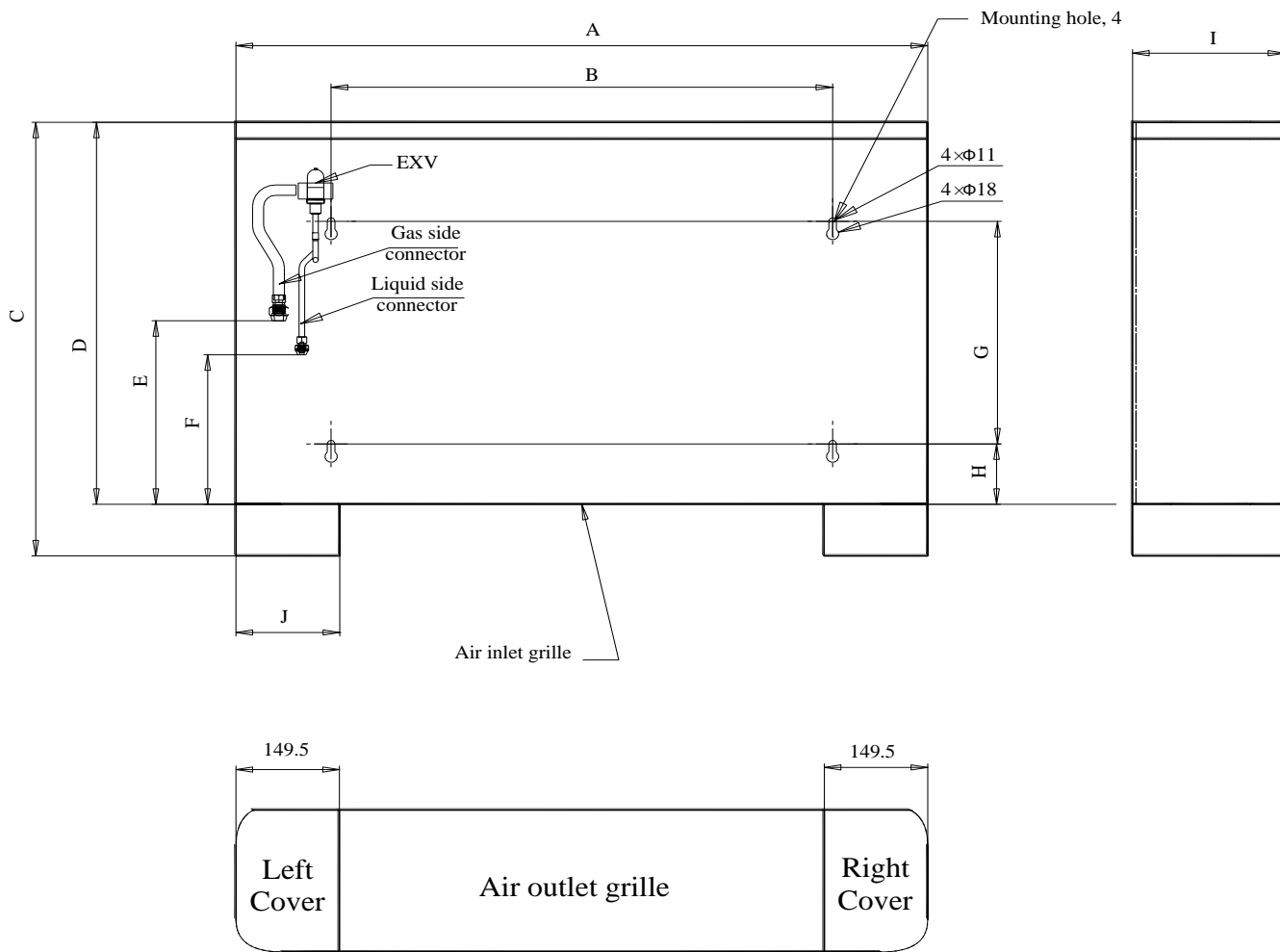
#### 3.1 Exposed Floor-standing (air inlet from front)



Unit: mm

MODEL TMVFSFXXX/I4WN1S	A	B	C	D	E	F	G	H	I
22	1000	725	596	284	232	112	345	94	225
28									
36	1200	925	596	310	258	112	345	100	225
45									
56	1500	1225	596	310	258	112	345	100	225
71									
80									

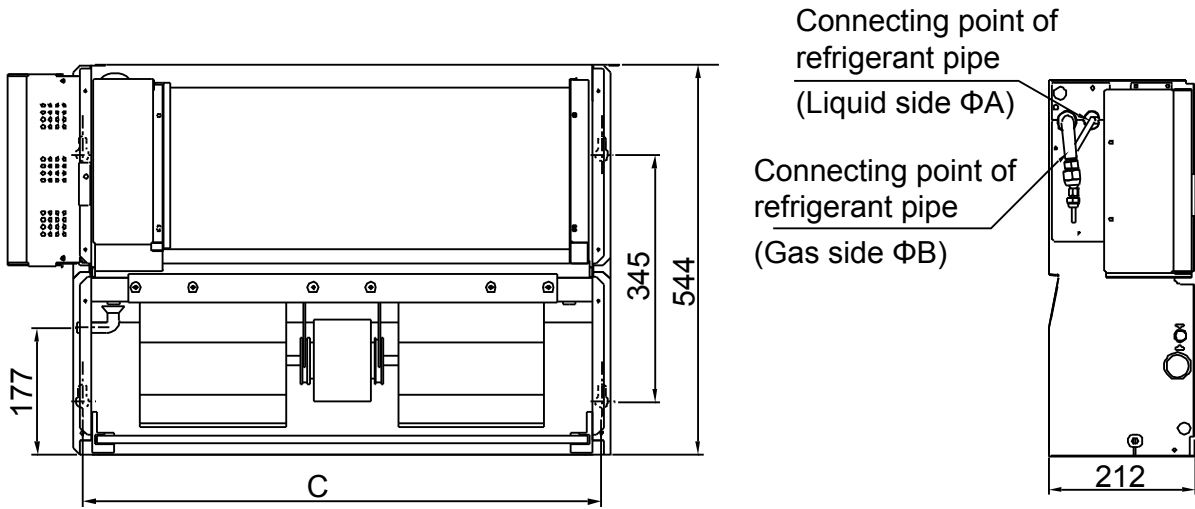
3.2 Exposed Floor-standing (air inlet from bottom)



Unit: mm

MODEL	A	B	C	D	E	F	G	H	I	J
TMVFSBXXX/I4WN1S										
22	1000	725	677	592	284	232	345	94	220	150
28										
36	1200	925	677	592	310	258	345	100	220	150
45										
56	1500	1225	677	592	310	258	345	100	220	150
71										
80										

3.3 3.1 Concealed Floor-standing

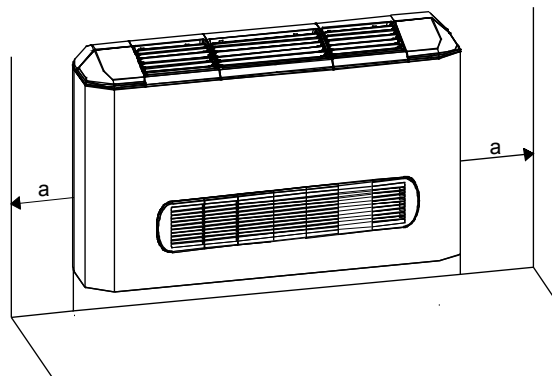


MODEL TMVFSCXXX/I4WN1S	A	B	C (mm)
22	Φ6.4	Φ12.7	725
28			
36	Φ6.4	Φ12.7	925
45			
56	Φ9.5	Φ15.9	1225
71			
80			

### 4. Service Spaces

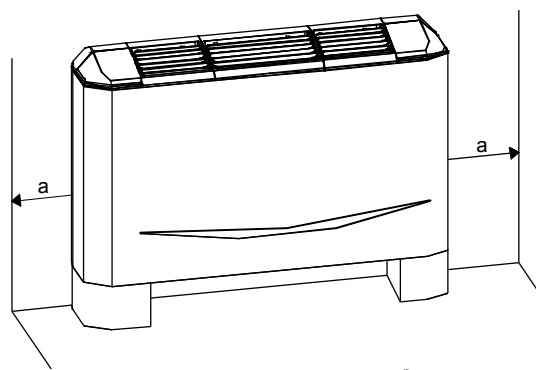
#### F series

Vertical unit with casing , with air intake from front and air outlet on top, for installation on a wall or on feet on the floor.



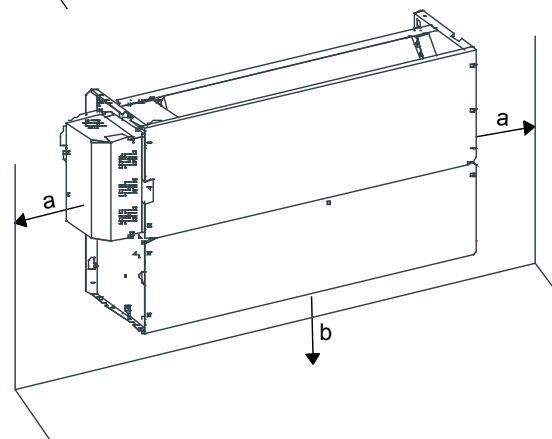
#### B series

Vertical unit with casing , with air intake from below and air outlet on top, for installation on a wall or on feet on the floor.



#### C series

Vertical unit for building-in, with air intake from below and air delivery at the top, for installation on a wall.

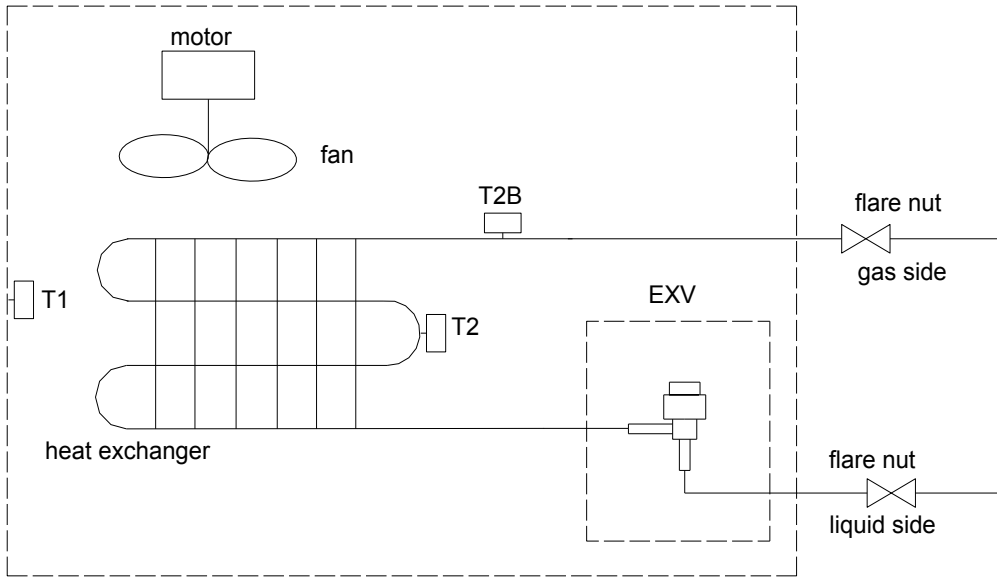


**Required clearance for above 3 versions:**

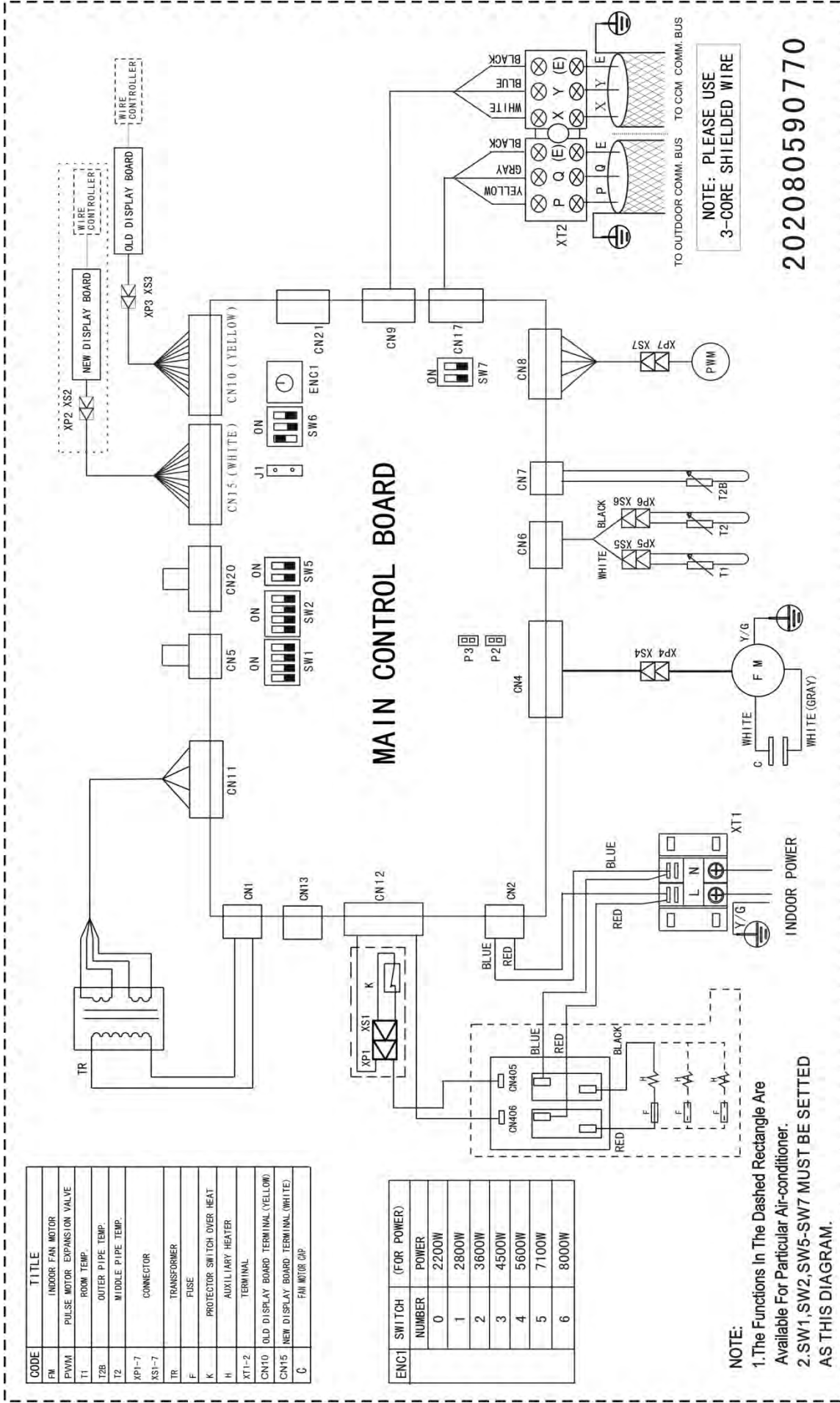
Model	F	B	C
a (mm)	≥150	≥150	≥200
b (mm)	-	(with bottom feet)	≥80

Additionally, it is required to keep 20mm between the rear and wall; 600mm between the front face and the obstacle. 1700mm vertical distance between the top of unit(outlet) and the upper obstacle.

### 5. Piping Diagrams



### 6. Wiring Diagrams



## 7. Capacity Tables

7.1 Cooling TC: total capacity SC: sensible capacity

WB: wet-bulb temperature DB: dry-bulb temperature

Indoor Unit size (kW)	Outdoor temperature (°CDB)	Indoor temperature (°CWB/DB)													
		14/20		16/23		18/26		19/27		20/28		22/30		24/32	
		TC	SC	TC	SC	TC	SC	TC	SC	TC	SC	TC	SC	TC	SC
		kW	kW	kW	kW	kW	kW	kW	kW	kW	kW	kW	kW	kW	kW
2.2	10.0	1.5	1.3	1.8	1.4	2.1	1.5	2.2	1.5	2.3	1.6	2.6	1.6	2.9	1.5
	12.0	1.5	1.3	1.8	1.4	2.1	1.5	2.2	1.5	2.3	1.6	2.6	1.6	2.8	1.5
	14.0	1.5	1.3	1.8	1.4	2.1	1.5	2.2	1.5	2.3	1.6	2.6	1.6	2.8	1.5
	16.0	1.5	1.3	1.8	1.4	2.1	1.5	2.2	1.5	2.3	1.6	2.6	1.6	2.8	1.5
	18.0	1.5	1.3	1.8	1.4	2.1	1.5	2.2	1.5	2.3	1.6	2.6	1.6	2.8	1.4
	20.0	1.5	1.3	1.8	1.4	2.1	1.5	2.2	1.5	2.3	1.6	2.6	1.6	2.7	1.4
	21.0	1.5	1.3	1.8	1.4	2.1	1.5	2.2	1.5	2.3	1.6	2.6	1.6	2.7	1.4
	23.0	1.5	1.3	1.8	1.4	2.1	1.5	2.2	1.5	2.3	1.6	2.5	1.5	2.7	1.4
	25.0	1.5	1.3	1.8	1.4	2.1	1.5	2.2	1.5	2.3	1.6	2.5	1.5	2.6	1.4
	27.0	1.5	1.3	1.8	1.4	2.1	1.5	2.2	1.5	2.3	1.6	2.5	1.5	2.6	1.4
	29.0	1.5	1.3	1.8	1.4	2.1	1.5	2.2	1.5	2.3	1.6	2.4	1.4	2.5	1.4
	31.0	1.5	1.3	1.8	1.4	2.1	1.5	2.2	1.5	2.3	1.6	2.4	1.4	2.5	1.4
	33.0	1.5	1.3	1.8	1.4	2.1	1.5	2.2	1.5	2.3	1.6	2.4	1.4	2.4	1.4
	35.0	1.5	1.3	1.8	1.4	2.1	1.5	2.2	1.5	2.3	1.6	2.3	1.3	2.4	1.4
	37.0	1.5	1.3	1.8	1.4	2.1	1.5	2.2	1.5	2.3	1.6	2.3	1.3	2.3	1.4
	39.0	1.5	1.3	1.8	1.4	2.1	1.5	2.2	1.5	2.2	1.5	2.3	1.3	2.3	1.4
42.0	1.5	1.3	1.8	1.4	2.1	1.5	2.2	1.5	2.2	1.5	2.3	1.3	2.3	1.4	
44.0	1.5	1.3	1.8	1.4	2.1	1.5	2.2	1.5	2.2	1.5	2.3	1.3	2.3	1.4	
46.0	1.5	1.3	1.8	1.4	2.1	1.5	2.2	1.5	2.2	1.5	2.3	1.3	2.3	1.4	
2.8	10.0	1.9	1.6	2.3	1.8	2.6	1.9	2.8	1.9	3.0	1.9	3.3	2.0	3.7	2.0
	12.0	1.9	1.6	2.3	1.8	2.6	1.9	2.8	1.9	3.0	1.9	3.3	2.0	3.6	2.0
	14.0	1.9	1.6	2.3	1.8	2.6	1.9	2.8	1.9	3.0	1.9	3.3	2.0	3.6	2.0
	16.0	1.9	1.6	2.3	1.8	2.6	1.9	2.8	1.9	3.0	1.9	3.3	2.0	3.5	1.9
	18.0	1.9	1.6	2.3	1.8	2.6	1.9	2.8	1.9	3.0	1.9	3.3	2.0	3.5	1.9
	20.0	1.9	1.6	2.3	1.8	2.6	1.9	2.8	1.9	3.0	1.9	3.3	2.0	3.4	1.9
	21.0	1.9	1.6	2.3	1.8	2.6	1.9	2.8	1.9	3.0	1.9	3.3	2.0	3.4	1.9
	23.0	1.9	1.6	2.3	1.8	2.6	1.9	2.8	1.9	3.0	1.9	3.3	2.0	3.4	1.9
	25.0	1.9	1.6	2.3	1.8	2.6	1.9	2.8	1.9	3.0	1.9	3.2	1.9	3.3	1.9
	27.0	1.9	1.6	2.3	1.8	2.6	1.9	2.8	1.9	3.0	1.9	3.2	1.9	3.3	1.9
	29.0	1.9	1.6	2.3	1.8	2.6	1.9	2.8	1.9	3.0	1.9	3.1	1.8	3.2	1.8
	31.0	1.9	1.6	2.3	1.8	2.6	1.9	2.8	1.9	3.0	1.9	3.1	1.8	3.2	1.7
	33.0	1.9	1.6	2.3	1.8	2.6	1.9	2.8	1.9	3.0	1.9	3.1	1.8	3.1	1.7
	35.0	1.9	1.6	2.3	1.8	2.6	1.9	2.8	1.9	2.9	1.9	3.0	1.8	3.1	1.7
	37.0	1.9	1.6	2.3	1.8	2.6	1.9	2.8	1.9	2.9	1.9	3.0	1.8	3.0	1.7
	39.0	1.9	1.6	2.3	1.8	2.6	1.9	2.8	1.9	2.9	1.9	3.0	1.9	3.0	1.7
42.0	1.9	1.6	2.3	1.8	2.6	1.9	2.8	1.9	2.9	1.9	3.0	1.9	3.0	1.7	
44.0	1.9	1.6	2.3	1.8	2.6	1.9	2.8	1.9	2.9	1.9	3.0	1.9	3.0	1.7	
46.0	1.9	1.6	2.3	1.8	2.6	1.9	2.8	1.9	2.9	1.9	3.0	1.9	3.0	1.7	
3.6	10.0	2.5	1.9	2.9	2.1	3.4	2.3	3.6	2.4	3.8	2.5	4.3	2.4	4.7	2.5
	12.0	2.5	1.9	2.9	2.1	3.4	2.3	3.6	2.4	3.8	2.5	4.3	2.4	4.7	2.5
	14.0	2.5	1.9	2.9	2.1	3.4	2.3	3.6	2.4	3.8	2.5	4.3	2.4	4.6	2.4
	16.0	2.5	1.9	2.9	2.1	3.4	2.3	3.6	2.4	3.8	2.5	4.3	2.4	4.5	2.4
	18.0	2.5	1.9	2.9	2.1	3.4	2.3	3.6	2.4	3.8	2.5	4.3	2.4	4.5	2.4
	20.0	2.5	1.9	2.9	2.1	3.4	2.3	3.6	2.4	3.8	2.5	4.3	2.4	4.4	2.3
	21.0	2.5	1.9	2.9	2.1	3.4	2.3	3.6	2.4	3.8	2.5	4.3	2.4	4.4	2.3
	23.0	2.5	1.9	2.9	2.1	3.4	2.3	3.6	2.4	3.8	2.5	4.1	2.3	4.3	2.2
	25.0	2.5	1.9	2.9	2.1	3.4	2.3	3.6	2.4	3.8	2.5	4.1	2.3	4.2	2.2
	27.0	2.5	1.9	2.9	2.1	3.4	2.3	3.6	2.4	3.8	2.5	4.0	2.2	4.2	2.2
	29.0	2.5	1.9	2.9	2.1	3.4	2.3	3.6	2.4	3.8	2.5	4.0	2.2	4.1	2.2
	31.0	2.5	1.9	2.9	2.1	3.4	2.3	3.6	2.4	3.8	2.5	4.2	2.6	4.1	2.2
	33.0	2.5	1.9	2.9	2.1	3.4	2.3	3.6	2.4	3.8	2.5	4.2	2.6	3.9	2.1
	35.0	2.5	1.9	2.9	2.1	3.4	2.3	3.6	2.4	3.8	2.5	4.2	2.6	3.9	2.1
	37.0	2.5	1.9	2.9	2.1	3.4	2.3	3.6	2.4	3.7	2.4	3.8	2.3	3.9	2.1
	39.0	2.5	1.9	2.9	2.1	3.4	2.3	3.6	2.4	3.7	2.4	3.8	2.3	3.8	2.1
42.0	2.5	1.9	2.9	2.1	3.4	2.3	3.6	2.4	3.7	2.4	3.8	2.3	3.8	2.1	
44.0	2.5	1.9	2.9	2.1	3.4	2.3	3.6	2.4	3.7	2.4	3.8	2.3	3.8	2.1	
46.0	2.5	1.9	2.9	2.1	3.4	2.3	3.6	2.4	3.7	2.4	3.8	2.3	3.8	2.1	
4.5	10.0	3.1	2.4	3.7	2.6	4.2	2.8	4.5	2.9	4.8	3.0	5.3	3.4	5.9	3.0



Floor Standing

	12.0	3.1	2.4	3.7	2.6	4.2	2.8	4.5	2.9	4.8	3.0	5.3	3.4	5.9	3.0
	14.0	3.1	2.4	3.7	2.6	4.2	2.8	4.5	2.9	4.8	3.0	5.3	3.4	5.8	3.0
	16.0	3.1	2.4	3.7	2.6	4.2	2.8	4.5	2.9	4.8	3.0	5.3	3.4	5.6	2.9
	18.0	3.1	2.4	3.7	2.6	4.2	2.8	4.5	2.9	4.8	3.0	5.3	3.4	5.7	3.0
	20.0	3.1	2.4	3.7	2.6	4.2	2.8	4.5	2.9	4.8	3.0	5.3	3.4	5.7	3.0
	21.0	3.1	2.4	3.7	2.6	4.2	2.8	4.5	2.9	4.8	3.0	5.3	3.4	5.6	3.0
	23.0	3.1	2.4	3.7	2.6	4.2	2.8	4.5	2.9	4.8	3.0	5.3	3.4	5.5	3.0
	25.0	3.1	2.4	3.7	2.6	4.2	2.8	4.5	2.9	4.8	3.0	5.2	3.0	5.4	2.9
	27.0	3.1	2.4	3.7	2.6	4.2	2.8	4.5	2.9	4.8	3.0	5.1	3.0	5.2	2.8
	29.0	3.1	2.4	3.7	2.6	4.2	2.8	4.5	2.9	4.8	3.0	5.1	2.9	5.2	2.8
	31.0	3.1	2.4	3.7	2.6	4.2	2.8	4.5	2.9	4.8	3.0	5.0	2.9	5.1	2.7
	33.0	3.1	2.4	3.7	2.6	4.2	2.8	4.5	2.9	4.8	3.0	4.9	2.8	5.1	2.7
	35.0	3.1	2.4	3.7	2.6	4.2	2.8	4.5	2.9	4.8	3.0	4.8	2.8	5.0	2.7
	37.0	3.1	2.4	3.7	2.6	4.2	2.8	4.5	2.9	4.8	3.0	4.8	2.9	4.9	2.6
	39.0	3.1	2.4	3.7	2.6	4.2	2.8	4.5	2.9	4.6	2.8	4.7	2.8	4.8	2.6
	42.0	3.1	2.4	3.7	2.6	4.2	2.8	4.5	2.9	4.6	2.8	4.7	2.8	4.8	2.6
44.0	3.1	2.4	3.7	2.6	4.2	2.8	4.5	2.9	4.6	2.8	4.7	2.8	4.8	2.6	
46.0	3.1	2.4	3.7	2.6	4.2	2.8	4.5	2.9	4.6	2.8	4.7	3.1	4.8	2.6	
5.6	10.0	3.9	2.7	4.6	3.0	5.3	3.3	5.6	3.4	5.9	3.5	6.6	3.6	7.3	3.5
	12.0	3.9	2.7	4.6	3.0	5.3	3.3	5.6	3.4	5.9	3.5	6.6	3.6	7.2	3.5
	14.0	3.9	2.7	4.6	3.0	5.3	3.3	5.6	3.4	5.9	3.5	6.6	3.6	7.1	3.5
	16.0	3.9	2.7	4.6	3.0	5.3	3.3	5.6	3.4	5.9	3.5	6.6	3.6	7.0	3.4
	18.0	3.9	2.7	4.6	3.0	5.3	3.3	5.6	3.4	5.9	3.5	6.6	3.6	6.8	3.4
	20.0	3.9	2.7	4.6	3.0	5.3	3.3	5.6	3.4	5.9	3.5	6.6	3.6	6.7	3.3
	21.0	3.9	2.7	4.6	3.0	5.3	3.3	5.6	3.4	5.9	3.5	6.6	3.6	6.6	3.3
	23.0	3.9	2.7	4.6	3.0	5.3	3.3	5.6	3.4	5.9	3.5	6.6	3.6	6.6	3.3
	25.0	3.9	2.7	4.6	3.0	5.3	3.3	5.6	3.4	5.9	3.5	6.6	3.6	6.5	3.2
	27.0	3.9	2.7	4.6	3.0	5.3	3.3	5.6	3.4	5.9	3.5	6.4	3.5	6.4	3.2
	29.0	3.9	2.7	4.6	3.0	5.3	3.3	5.6	3.4	5.9	3.5	6.3	3.5	6.4	3.3
	31.0	3.9	2.7	4.6	3.0	5.3	3.3	5.6	3.4	5.9	3.5	6.2	3.4	6.2	3.2
	33.0	3.9	2.7	4.6	3.0	5.3	3.3	5.6	3.4	5.9	3.5	6.2	3.4	6.2	3.2
	35.0	3.9	2.7	4.6	3.0	5.3	3.3	5.6	3.4	5.9	3.5	6.0	3.3	6.0	3.1
	37.0	3.9	2.7	4.6	3.0	5.3	3.3	5.6	3.4	5.9	3.5	5.9	3.2	6.0	3.1
	39.0	3.9	2.7	4.6	3.0	5.3	3.3	5.6	3.4	5.7	3.4	5.8	3.2	6.0	3.1
42.0	3.9	2.7	4.6	3.0	5.3	3.3	5.6	3.4	5.7	3.4	5.8	3.2	6.0	3.1	
44.0	3.9	2.7	4.6	3.0	5.3	3.3	5.6	3.4	5.7	3.4	5.8	3.2	6.0	3.1	
46.0	3.9	2.7	4.6	3.0	5.3	3.3	5.6	3.4	5.7	3.7	5.8	3.2	6.0	3.1	
7.1	10.0	4.9	3.6	5.8	4.0	6.7	4.3	7.1	4.5	7.5	4.4	8.4	4.5	9.2	4.6
	12.0	4.9	3.6	5.8	4.0	6.7	4.3	7.1	4.5	7.5	4.4	8.4	4.5	9.1	4.5
	14.0	4.9	3.6	5.8	4.0	6.7	4.3	7.1	4.5	7.5	4.4	8.4	4.5	9.0	4.5
	16.0	4.9	3.6	5.8	4.0	6.7	4.3	7.1	4.5	7.5	4.4	8.4	4.5	8.9	4.4
	18.0	4.9	3.6	5.8	4.0	6.7	4.3	7.1	4.5	7.5	4.4	8.4	4.5	8.7	4.3
	20.0	4.9	3.6	5.8	4.0	6.7	4.3	7.1	4.5	7.5	4.4	8.4	4.5	8.5	4.2
	21.0	4.9	3.6	5.8	4.0	6.7	4.3	7.1	4.5	7.5	4.4	8.4	4.5	8.4	4.2
	23.0	4.9	3.6	5.8	4.0	6.7	4.3	7.1	4.5	7.5	4.4	8.4	4.5	8.3	4.1
	25.0	4.9	3.6	5.8	4.0	6.7	4.3	7.1	4.5	7.5	4.4	8.4	4.5	8.2	4.1
	27.0	4.9	3.6	5.8	4.0	6.7	4.3	7.1	4.5	7.5	4.4	8.1	4.3	8.2	4.1
	29.0	4.9	3.6	5.8	4.0	6.7	4.3	7.1	4.5	7.5	4.5	8.0	4.3	8.1	4.1
	31.0	4.9	3.6	5.8	4.0	6.7	4.3	7.1	4.5	7.5	4.5	7.9	4.3	7.8	4.0
	33.0	4.9	3.6	5.8	4.0	6.7	4.3	7.1	4.5	7.5	4.5	7.8	4.2	7.8	4.0
	35.0	4.9	3.6	5.8	4.0	6.7	4.3	7.1	4.5	7.5	4.5	7.6	4.1	7.7	3.9
	37.0	4.9	3.6	5.8	4.0	6.7	4.3	7.1	4.5	7.4	4.4	7.5	4.1	7.6	4.0
	39.0	4.9	3.6	5.8	4.0	6.7	4.3	7.1	4.5	7.2	4.3	7.4	4.1	7.6	4.0
42.0	4.9	3.6	5.8	4.0	6.7	4.3	7.1	4.5	7.2	4.3	7.4	4.1	7.6	4.0	
44.0	4.9	3.6	5.8	4.0	6.7	4.3	7.1	4.5	7.2	4.3	7.4	4.1	7.6	4.0	
46.0	4.9	3.6	5.8	4.0	6.7	4.3	7.1	4.5	7.2	4.3	7.4	4.1	7.6	4.0	
8.0	10.0	5.5	4.4	6.6	4.9	7.5	5.3	8.0	5.5	8.4	5.4	9.4	5.5	10.4	5.6
	12.0	5.5	4.4	6.6	4.9	7.5	5.3	8.0	5.5	8.4	5.4	9.4	5.5	10.2	5.5
	14.0	5.5	4.4	6.6	4.9	7.5	5.3	8.0	5.5	8.4	5.4	9.4	5.5	10.2	5.5
	16.0	5.5	4.4	6.6	4.9	7.5	5.3	8.0	5.5	8.4	5.4	9.4	5.5	10.0	5.4
	18.0	5.5	4.4	6.6	4.9	7.5	5.3	8.0	5.5	8.4	5.4	9.4	5.5	9.8	5.3
	20.0	5.5	4.4	6.6	4.9	7.5	5.3	8.0	5.5	8.4	5.4	9.4	5.5	9.6	5.2
	21.0	5.5	4.4	6.6	4.9	7.5	5.3	8.0	5.5	8.4	5.4	9.4	5.5	9.4	5.1
	23.0	5.5	4.4	6.6	4.9	7.5	5.3	8.0	5.5	8.4	5.4	9.4	5.5	9.4	5.1
25.0	5.5	4.4	6.6	4.9	7.5	5.3	8.0	5.5	8.4	5.4	9.4	5.5	9.3	5.0	

27.0	5.5	4.4	6.6	4.9	7.5	5.3	8.0	5.5	8.4	5.4	9.1	5.3	9.2	5.1
29.0	5.5	4.4	6.6	4.9	7.5	5.3	8.0	5.5	8.4	5.5	9.0	5.3	9.1	5.0
31.0	5.5	4.4	6.6	4.9	7.5	5.3	8.0	5.5	8.4	5.5	8.9	5.2	8.8	4.8
33.0	5.5	4.4	6.6	4.9	7.5	5.3	8.0	5.5	8.4	5.5	8.8	5.2	8.8	4.8
35.0	5.5	4.4	6.6	4.9	7.5	5.3	8.0	5.5	8.4	5.5	8.6	5.1	8.6	4.8
37.0	5.5	4.4	6.6	4.9	7.5	5.3	8.0	5.5	8.3	5.4	8.4	5.0	8.6	4.9
39.0	5.5	4.4	6.6	4.9	7.5	5.3	8.0	5.5	8.1	5.3	8.3	5.0	8.6	4.9
42.0	5.5	4.4	6.6	4.9	7.5	5.3	8.0	5.5	8.1	5.3	8.3	5.0	8.6	4.9
44.0	5.5	4.4	6.6	4.9	7.5	5.3	8.0	5.5	8.1	5.3	8.3	5.0	8.6	4.9
46.0	5.5	4.4	6.6	4.9	7.5	5.3	8.0	5.5	8.1	5.3	8.3	5.0	8.6	4.9

### 7.2 Heating

TC: total capacity

WB: wet-bulb temperature DB: dry-bulb temperature

Indoor Unit size (kW)	Outdoor temperature (°C)		Indoor temperature (°C DB)					
			16.00	18.00	20.00	21.00	22.00	24.00
	WB	DB	TC kW	TC kW	TC kW	TC kW	TC kW	TC kW
2.2	-20	-19.8	1.46	1.46	1.46	1.46	1.46	1.46
	-19	-18.8	1.56	1.56	1.56	1.56	1.56	1.56
	-17	-16.7	1.64	1.64	1.64	1.64	1.64	1.64
	-15	-14.7	1.69	1.69	1.69	1.69	1.69	1.69
	-13.00	-12.60	1.79	1.79	1.79	1.79	1.79	1.79
	-11.00	-10.50	1.82	1.85	1.85	1.85	1.85	1.85
	-10.00	-9.50	1.90	1.90	1.90	1.90	1.90	1.90
	-9.10	-8.50	1.95	1.95	1.95	1.95	1.95	1.95
	-7.60	-7.00	1.98	1.98	1.98	1.98	1.98	1.98
	-5.60	-5.00	2.05	2.05	2.05	2.05	2.05	2.05
	-3.70	-3.00	2.16	2.16	2.16	2.16	2.16	2.16
	-0.70	0.00	2.31	2.31	2.31	2.31	2.31	2.18
	2.20	3.00	2.44	2.44	2.44	2.44	2.39	2.18
	4.10	5.00	2.52	2.52	2.52	2.52	2.39	2.18
	6.00	7.00	2.60	2.60	2.60	2.52	2.39	2.18
7.90	9.00	2.68	2.68	2.60	2.52	2.39	2.18	
9.80	11.00	2.76	2.76	2.60	2.52	2.39	2.18	
11.80	13.00	2.86	2.81	2.60	2.52	2.39	2.18	
13.70	15.00	2.94	2.81	2.60	2.52	2.39	2.18	
2.8	-20	-19.8	1.79	1.79	1.79	1.79	1.79	1.79
	-19	-18.8	1.92	1.92	1.92	1.92	1.92	1.92
	-17	-16.7	2.02	2.02	2.02	2.02	2.02	2.02
	-15	-14.7	2.02	2.02	2.02	2.02	2.02	2.02
	-13.00	-12.60	2.14	2.14	2.14	2.14	2.14	2.14
	-11.00	-10.50	2.24	2.24	2.24	2.24	2.24	2.24
	-10.00	-9.50	2.34	2.34	2.34	2.34	2.34	2.34
	-9.10	-8.50	2.40	2.40	2.40	2.40	2.40	2.40
	-7.60	-7.00	2.43	2.43	2.43	2.43	2.43	2.43
	-5.60	-5.00	2.53	2.53	2.53	2.53	2.53	2.53
	-3.70	-3.00	2.66	2.66	2.66	2.66	2.66	2.66
	-0.70	0.00	2.85	2.85	2.85	2.85	2.85	2.69
	2.20	3.00	3.01	3.01	3.01	3.01	2.94	2.69
	4.10	5.00	3.10	3.10	3.10	3.10	2.94	2.69
	6.00	7.00	3.20	3.20	3.20	3.10	2.94	2.69
7.90	9.00	3.30	3.30	3.20	3.10	2.94	2.69	
9.80	11.00	3.39	3.39	3.20	3.10	2.94	2.69	
11.80	13.00	3.52	3.46	3.20	3.10	2.94	2.69	
13.70	15.00	3.62	3.46	3.20	3.10	2.94	2.69	
3.6	-20	-19.8	2.24	2.24	2.24	2.24	2.24	2.24
	-19	-18.8	2.40	2.40	2.40	2.40	2.40	2.40
	-17	-16.7	2.52	2.52	2.52	2.52	2.52	2.52
	-15	-14.7	2.60	2.60	2.60	2.60	2.60	2.60
	-13.00	-12.60	2.68	2.68	2.68	2.68	2.68	2.68
	-11.00	-10.50	2.80	2.80	2.80	2.80	2.80	2.80
	-10.00	-9.50	2.92	2.92	2.92	2.92	2.92	2.92
	-9.10	-8.50	3.00	3.00	3.00	3.00	3.00	3.00
	-7.60	-7.00	3.04	3.04	3.04	3.04	3.04	3.04
	-5.60	-5.00	3.16	3.16	3.16	3.16	3.16	3.16
-3.70	-3.00	3.32	3.32	3.32	3.32	3.32	3.32	

Floor Standing

	-0.70	0.00	3.56	3.56	3.56	3.56	3.56	3.36
	2.20	3.00	3.76	3.76	3.76	3.76	3.68	3.36
	4.10	5.00	3.88	3.88	3.88	3.88	3.68	3.36
	6.00	7.00	4.00	4.00	4.00	3.88	3.68	3.36
	7.90	9.00	4.12	4.12	4.00	3.88	3.68	3.36
	9.80	11.00	4.24	4.24	4.00	3.88	3.68	3.36
	11.80	13.00	4.40	4.32	4.00	3.88	3.68	3.36
	13.70	15.00	4.52	4.32	4.00	3.88	3.68	3.36
4.5	-20	-19.8	2.80	2.80	2.80	2.80	2.80	2.80
	-19	-18.8	3.00	3.00	3.00	3.00	3.00	3.00
	-17	-16.7	3.15	3.15	3.15	3.15	3.15	3.15
	-15	-14.7	3.25	3.25	3.25	3.25	3.25	3.25
	-13.00	-12.60	3.35	3.35	3.35	3.35	3.35	3.35
	-11.00	-10.50	3.50	3.50	3.50	3.50	3.50	3.50
	-10.00	-9.50	3.65	3.65	3.65	3.65	3.65	3.65
	-9.10	-8.50	3.75	3.75	3.75	3.75	3.75	3.75
	-7.60	-7.00	3.80	3.80	3.80	3.80	3.80	3.80
	-5.60	-5.00	3.95	3.95	3.95	3.95	3.95	3.95
	-3.70	-3.00	4.15	4.15	4.15	4.15	4.15	4.15
	-0.70	0.00	4.45	4.45	4.45	4.45	4.45	4.20
	2.20	3.00	4.70	4.70	4.70	4.70	4.60	4.20
	4.10	5.00	4.85	4.85	4.85	4.85	4.60	4.20
	6.00	7.00	5.00	5.00	5.00	4.85	4.60	4.20
	7.90	9.00	5.15	5.15	5.00	4.85	4.60	4.20
9.80	11.00	5.30	5.30	5.00	4.85	4.60	4.20	
11.80	13.00	5.50	5.40	5.00	4.85	4.60	4.20	
13.70	15.00	5.65	5.40	5.00	4.85	4.60	4.20	
5.6	-20	-19.8	3.53	3.53	3.53	3.53	3.53	3.53
	-19	-18.8	3.78	3.78	3.78	3.78	3.78	3.78
	-17	-16.7	3.97	3.97	3.97	3.97	3.97	3.97
	-15	-14.7	4.10	4.10	4.10	4.10	4.10	4.10
	-13.00	-12.60	4.22	4.22	4.22	4.22	4.22	4.22
	-11.00	-10.50	4.41	4.41	4.41	4.41	4.41	4.41
	-10.00	-9.50	4.60	4.60	4.60	4.60	4.60	4.60
	-9.10	-8.50	4.73	4.73	4.73	4.73	4.73	4.73
	-7.60	-7.00	4.79	4.79	4.79	4.79	4.79	4.79
	-5.60	-5.00	4.98	4.98	4.98	4.98	4.98	4.98
	-3.70	-3.00	5.23	5.23	5.23	5.23	5.23	5.23
	-0.70	0.00	5.61	5.61	5.61	5.61	5.61	5.29
	2.20	3.00	5.92	5.92	5.92	5.92	5.80	5.29
	4.10	5.00	6.11	6.11	6.11	6.11	5.80	5.29
	6.00	7.00	6.30	6.30	6.30	6.11	5.80	5.29
	7.90	9.00	6.49	6.49	6.30	6.11	5.80	5.29
9.80	11.00	6.68	6.68	6.30	6.11	5.80	5.29	
11.80	13.00	6.93	6.80	6.30	6.11	5.80	5.29	
13.70	15.00	7.12	6.80	6.30	6.11	5.80	5.29	
7.1	-20	-19.8	4.48	4.48	4.48	4.48	4.48	4.48
	-19	-18.8	4.80	4.80	4.80	4.80	4.80	4.80
	-17	-16.7	5.04	5.04	5.04	5.04	5.04	5.04
	-15	-14.7	5.20	5.20	5.20	5.20	5.20	5.20
	-13.00	-12.60	5.36	5.36	5.36	5.36	5.36	5.36
	-11.00	-10.50	5.60	5.60	5.60	5.60	5.60	5.60
	-10.00	-9.50	5.84	5.84	5.84	5.84	5.84	5.84
	-9.10	-8.50	6.00	6.00	6.00	6.00	6.00	6.00
	-7.60	-7.00	6.08	6.08	6.08	6.08	6.08	6.08
	-5.60	-5.00	6.32	6.32	6.32	6.32	6.32	6.32
	-3.70	-3.00	6.64	6.64	6.64	6.64	6.64	6.64
	-0.70	0.00	7.12	7.12	7.12	7.12	7.12	6.72
	2.20	3.00	7.52	7.52	7.52	7.52	7.36	6.72
	4.10	5.00	7.76	7.76	7.76	7.76	7.36	6.72
	6.00	7.00	8.00	8.00	8.00	7.76	7.36	6.72
	7.90	9.00	8.24	8.24	8.00	7.76	7.36	6.72
9.80	11.00	8.48	8.48	8.00	7.76	7.36	6.72	
11.80	13.00	8.80	8.64	8.00	7.76	7.36	6.72	
13.70	15.00	9.04	8.64	8.00	7.76	7.36	6.72	

8.0	-20	-19.8	5.04	5.04	5.04	5.04	5.04	5.04
	-19	-18.8	5.40	5.40	5.40	5.40	5.40	5.40
	-17	-16.7	5.67	5.67	5.67	5.67	5.67	5.67
	-15	-14.7	5.85	5.85	5.85	5.85	5.85	5.85
	-13.00	-12.60	6.03	6.03	6.03	6.03	6.03	6.03
	-11.00	-10.50	6.30	6.30	6.30	6.30	6.30	6.30
	-10.00	-9.50	6.57	6.57	6.57	6.57	6.57	6.57
	-9.10	-8.50	6.75	6.75	6.75	6.75	6.75	6.75
	-7.60	-7.00	6.84	6.84	6.84	6.84	6.84	6.84
	-5.60	-5.00	7.11	7.11	7.11	7.11	7.11	7.11
	-3.70	-3.00	7.47	7.47	7.47	7.47	7.47	7.47
	-0.70	0.00	8.01	8.01	8.01	8.01	8.01	7.56
	2.20	3.00	8.46	8.46	8.46	8.46	8.28	7.56
	4.10	5.00	8.73	8.73	8.73	8.73	8.28	7.56
	6.00	7.00	9.00	9.00	9.00	8.73	8.28	7.56
	7.90	9.00	9.27	9.27	9.00	8.73	8.28	7.56
	9.80	11.00	9.54	9.54	9.00	8.73	8.28	7.56
	11.80	13.00	9.90	9.72	9.00	8.73	8.28	7.56
13.70	15.00	10.17	9.72	9.00	8.73	8.28	7.56	

## 8. Electrical Characteristics

Model	Indoor Unit				Power Supply		IFM	
	Hz	Voltage	Min.	Max.	MCA	MFA	KW	FLA
TMVFSF022/I4WN1S	50	220-240V	198	254	0.25	5	0.042	0.2
TMVFBSB022/I4WN1S	50	220-240V	198	254	0.25	5	0.042	0.2
TMVFSC022/I4WN1S	50	220-240V	198	254	0.25	5	0.042	0.2
TMVFSF028/I4WN1S	50	220-240V	198	254	0.25	5	0.042	0.2
TMVFBSB028/I4WN1S	50	220-240V	198	254	0.25	5	0.042	0.2
TMVFSC028/I4WN1S	50	220-240V	198	254	0.25	5	0.042	0.2
TMVFSF036/I4WN1S	50	220-240V	198	254	0.3	5	0.049	0.24
TMVFBSB036/I4WN1S	50	220-240V	198	254	0.3	5	0.049	0.24
TMVFSC036/I4WN1S	50	220-240V	198	254	0.3	5	0.049	0.24
TMVFSF045/I4WN1S	50	220-240V	198	254	0.4	5	0.06	0.3
TMVFBSB045/I4WN1S	50	220-240V	198	254	0.4	5	0.06	0.3
TMVFSC045/I4WN1S	50	220-240V	198	254	0.4	5	0.06	0.3
TMVFSF056/I4WN1S	50	220-240V	198	254	0.6	5	0.095	0.48
TMVFBSB056/I4WN1S	50	220-240V	198	254	0.6	5	0.095	0.48
TMVFSC056/I4WN1S	50	220-240V	198	254	0.6	5	0.095	0.48
TMVFSC071/I4WN1S	50	220-240V	198	254	0.8	5	0.138	0.62
TMVFBSB071/I4WN1S	50	220-240V	198	254	0.8	5	0.138	0.62
TMVFSC071/I4WN1S	50	220-240V	198	254	0.8	5	0.138	0.62
TMVFSF080/I4WN1S	50	220-240V	198	254	0.8	5	0.138	0.62
TMVFBSB080/I4WN1S	50	220-240V	198	254	0.8	5	0.138	0.62
TMVFSC080/I4WN1S	50	220-240V	198	254	0.8	5	0.138	0.62

**Remark:**

MCA: Min. Current Amps. (A)

MFA: Max. Fuse Amps. (A)

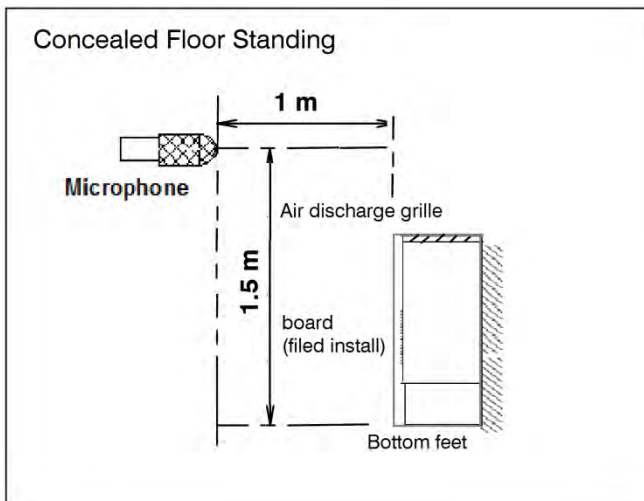
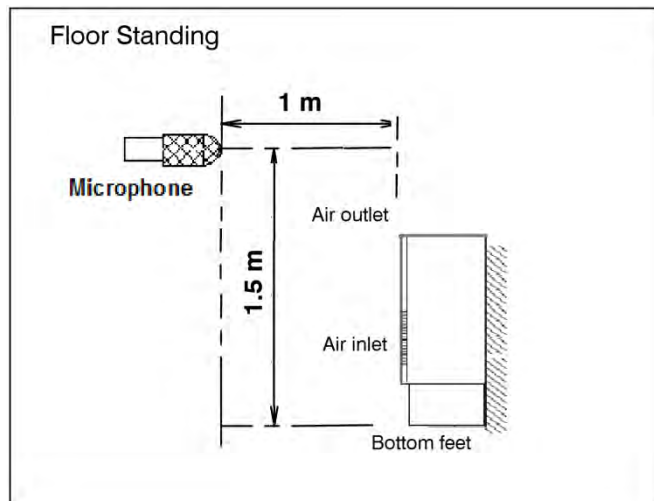
KW: Fan Motor Rated Output (kW)

FLA: Full Load Amps. (A)

IFM:Indoor Fan Motor

## 9. Sound Levels

### 9.1 Test condition



Note:

- 1, during actual operation, these values are normally somewhat higher as a result of ambient conditions.
- 2, Semi-anechoic chamber conversion value, measured at a point 1m in front of the unit at a height of 1.5m.

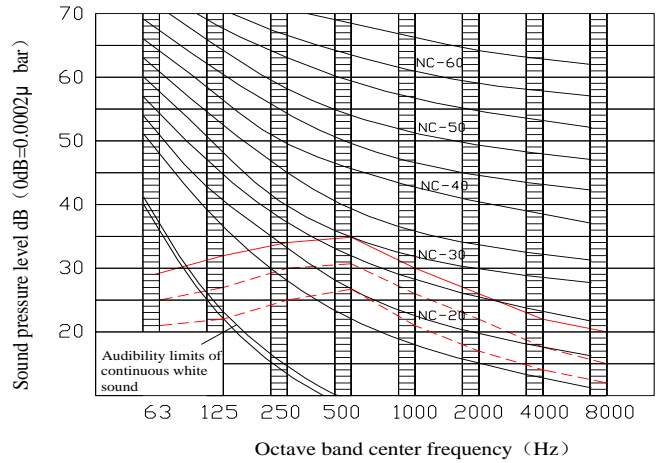
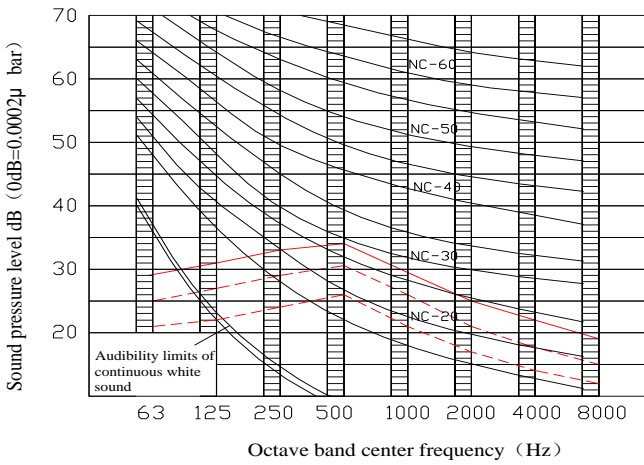
### 9.2 Test value

Model	Sound test value dB(A)		
	H	M	L
TMVFSF022/I4WN1S	36	33	29
TMVFSB022/I4WN1S	36	33	29
TMVFSC022/I4WN1S	36	33	29
TMVFSF028/I4WN1S	36	33	29
TMVFSB028/I4WN1S	36	33	29
TMVFSC028/I4WN1S	36	33	29
TMVFSF036/I4WN1S	37	34	30
TMVFSB036/I4WN1S	37	34	30
TMVFSC036/I4WN1S	37	34	30
TMVFSF045/I4WN1S	37	34	30
TMVFSB045/I4WN1S	37	34	30
TMVFSC045/I4WN1S	37	34	30
TMVFSF056/I4WN1S	41	35	31
TMVFSB056/I4WN1S	41	35	31
TMVFSC056/I4WN1S	41	35	31
TMVFSF071/I4WN1S	44	39	33
TMVFSB071/I4WN1S	44	39	33
TMVFSC071/I4WN1S	44	39	33
TMVFSF080/I4WN1S	44	39	33
TMVFSB080/I4WN1S	44	39	33
TMVFSC080/I4WN1S	44	39	33

### 9.3 Octave Band Level

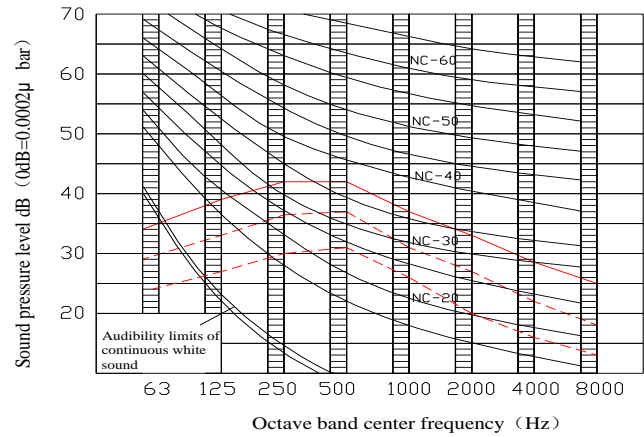
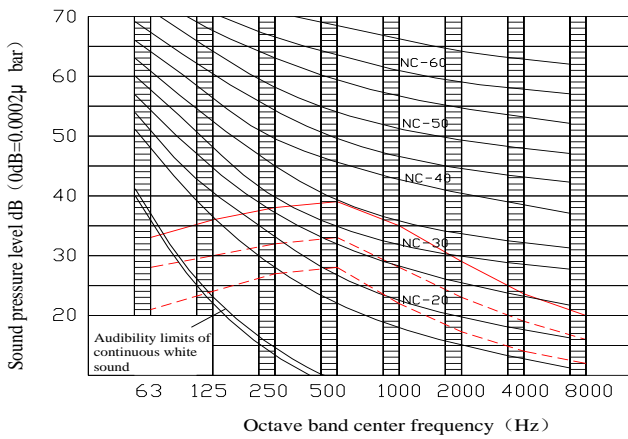
TMVFSF022/I4WN1S, TMFVSB022/I4WN1S  
 TMVFSC022/I4WN1S, TMVFSF028/I4WN1S  
 TMVFSB028/I4WN1S, TMVFSC028/I4WN1S

TMVFSF036/I4WN1S, TMFVSB036/I4WN1S  
 TMVFSC036/I4WN1S, TMVFSF045/I4WN1S  
 TMVFSB045/I4WN1S, TMVFSC045/I4WN1S




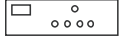

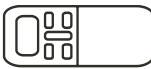



TMVFSF056/I4WN1S, TMFVSB056/I4WN1S  
 TMVFSC056/I4WN1S

TMVFSF071/I4WN1S, TMFVSB071/I4WN1S  
 TMVFSC071/I4WN1S, TMVFSF080/I4WN1S  
 TMVFSB080/I4WN1S, TMVFSC080/I4WN1S



## 10. Accessories

### 10.1 Standard accessories

Name	Quantity	Shape	Usage
Owner's manual	1	/	/
Installation manual	1	/	/
Pipe insulation material	2		Heat insulation
Signal receiver display board	1		Receive signals
Mounting screw(ST3.9x12-C-H)	4		/
Remote controller	1		Control the indoor units
Remote controller holder	1		For holding the remote controller
Mounting screw (ST2.9x10-C-H)	2		/
Alkaline dry batteries(AM4)	2		/

### 10.1 Optional accessories

Name	Model	Code	Usage
Wired remote controller	<b>KJR-10B/DP(T)-E</b>	<b>203355190000</b>	With a standard 5m long cable to connect to display board.
(Follow me) Wired remote controller	<b>KJR-12B/DP(T)-E</b>	<b>203355100010</b>	With an extra Built-in room temp. sensor, all others are same as KJR-10B
(Follow me) Wired remote controller (Back ground light)	<b>KJR-12B/DPBG(T)-E</b>	<b>203355100010</b>	With background light, all others are same as KJR-12B/DP(T)-E





Air Conditioning Systems

Cooling & Heating

**TRUST AIR-CONDITIONING EQUIPMENT CO.**

Shiraz office: 8 th floor, Alvand Bldg., Dostan St.,  
Moaliabad Ave., SHIRAZ, IRAN., Post code: 71877-14446

Tel.: +98-71-36341070

Fax.: +98-71-36341094

Tehran office: No. 19- koohe nour St.- Motahhari St.-

TEHRAN, IRAN., Post code: 15876-73111

Tel.: +98-21-89389

Fax.: +98-21-88541903

Ahwaz office: No. 309- Kaveh St.- AHWAZ, IRAN., Post code: 61939-  
47911

Tel.: +98-61-32230647-8

Fax.: +98-61-32230647

E-mail: [info@trustacs.com](mailto:info@trustacs.com)

Web site: <http://www.trustacs.com>

برند برتر در اولین جشنواره بین المللی  
برترین نام و نشان های تجاری ایران

