

FLOOR CEILING VRF INDOOR UNIT



TRUST AIR CONDITIONING EQUIPMENT CO.
Prepared By: Engineering & R & D Department.

Ceiling & Floor Type

1. Features	2
2. Specifications	3
3. Dimensions	6
4. Service Spaces	9
5. Piping Diagrams	11
6. Wiring Diagrams	12
7. Capacity Tables.....	14
8. Electrical Characteristics	21
9. Sound Levels	22
10. Accessories.....	24

توجه:

شرکت تراست حق تغییر مشخصات دستگاه ها را در جهت بهبود و ارتقای کیفیت برای خود محفوظ می دارد.

2015-04

1. Features

1.1 Panel with LED display



The front panel and display panel have different colors to choose: white and brown for big panel, blue and brown for small panel, and the other colors can be customized according to the customers' demands.

1.2 Convenient for installation

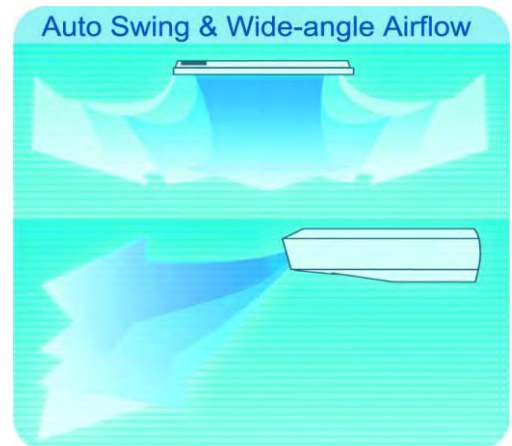
- 1.2.1 The ceiling type can be easily installed into a corner of the ceiling even if the ceiling is very narrow
- 1.2.2 It is especially useful when installation of an air conditioner in the center of the ceiling is impossible due to a structure such as one lighting
- 1.2.3 The EXV is built-in the indoor unit, compact size, and convenient for the installation.
- 1.2.4 Reserved the socket on main control board for water pump and PCB can be customized if you need water pump function.

1.3 Three air flow speed: high/middle/low, double air guides.

1.4 Two direction auto swing (vertical & horizontal) and wide angle air flow

1.5 Low noise, creates quiet and comfortable environment.

- 1.5.1 Adoption of the Fujikoki brand electrical expansion valve, ensures precise flow control, as well as lower modulation noise when EXV operating.
- 1.5.2 Smoother airflow with less turbulence. Owing to the multiple-blade fan and the air guide design, the airflow is getting smoother and more comfortable



1.6 Wired control compatible. RM05/BG(T)E-A remote wireless controller which can set the indoor unit address is standard, and wired controller is optional.

1.7 Auto restart

When the indoor unit is powered off, it will auto restart when powered on again after 3 minutes and operate in the original state.

2.Specifications

Model			TMVFCN036/I4RN1S	TMVFCN045/I4RN1S	TMVFCN056/I4RN1S	TMVFCN071/I4RN1S
Power supply		V- Ph-Hz	220-240V~, 1Ph, 50Hz			
Cooling	Capacity	kW	3.6	4.5	5.6	7.1
	Input	W	49	120	122	125
	Rated current	A	0.23	0.67	0.67	0.67
Heating	Capacity	kW	4	5	6.3	8
	Input	W	49	120	122	125
	Rated current	A	0.23	0.67	0.67	0.67
Indoor fan motor	Model		YSK25-6L-1	YSK55-4L-1	YSK55-4L-1	YSK55-4L-1
	Type		AC motor			
	Brand		Welling			
	Input	W	33.4/31.1/29.5	125/105/85	125/105/85	125/105/85
	Capacitor	μF	1.2uF/450V	2μF/450V	2.5μF/450V	2.5μF/450V
	Speed (h/m/l)	r/min	756/666/592	1310/1190/1040	1310/1190/1040	1310/1190/1040
Indoor coil	Number of rows		2	3	3	3
	Tube pitch x row pitch	mm	25.4x22	25.4x22	25.4x22	25.4x22
	Fin spacing	mm	1.8	1.8	1.8	1.8
	Fin type		Hydrophilic aluminum			
	Tube outside diameter and type	mm	Φ9.52			
			Inner groove tube			
	length x height x width	mm	804x254x44	804x254x66	804x254x66	804x254x66
Number of circuits		3	3	3	3	
Indoor air flow (H/M/L)		m ³ /h	650/570/500	800/600/500	800/600/500	800/600/500
Indoor noise level (H/M/L)		dB(A)	40/38/36	43/41/38	43/41/38	43/41/38
Indoor unit	Dimension (W×H×D)	mm	990×203×660	990×203×660	990×203×660	990×203×660
	Packing (W×H×D)	mm	1089×296×744	1089×296×744	1089×296×744	1089×296×744
	Net/Gross weight	kg	26/32	28/34	28/34	28/34
Refrigerant type			R410A			
Throttle	Type	EXV (Built-in)				
	Model	BD20FKS(L)				
Design pressure		MPa	4.4/2.6			
Refrigerant piping	Liquid side/ Gas side	mm	Φ6.35/ Φ12.7		Φ9.52/ Φ15.9	
Connecting wiring	Power wiring	mm ²	3x2.5(L≤20m); 3x3.5(L≤50m)			
	Signal wiring	mm ²	3x0.75			
Drainage water pipe diameter			ODΦ25			
Controller			Wireless remote controller (RM05/BG(T)E-A) (Standard)			

Notes: 1. Nominal cooling capacities are based on the following conditions: return air temperature: 27°CDB, 19°CWB, outdoor temperature:35°CDB,equivalent ref. Piping: 8m(horizontal)

2. Nominal heating capacities are based on the following conditions: return air temperature: 20°CDB, outdoor temperature: 7°CDB,6°CWB,equivalent ref. Piping: 8m(horizontal)

Ceiling & Floor Type

Model			TMVFCN080/I4RN1S	TMVFCN090/I4RN1S	TMVFCN112/I4RN1S	TMVFCN140/I4RN1S
Power supply		V- Ph-Hz	220-240V~, 1Ph, 50Hz			
Cooling	Capacity	kW	8	9	11.2	14
	Input	W	130	130	182	182
	Rated current	A	0.83	0.83	1.11	1.11
Heating	Capacity	kW	9	10	12.5	15.5
	Input	W	130	130	182	182
	Rated current	A	0.83	0.83	1.11	1.11
Indoor fan motor	Model		YSK80-4A-1	YSK80-4A-1	YSK59-4D x2	YSK59-4D x2
	Type		AC motor			
	Brand		Welling			
	Input	W	143/122/110	143/122/110	(89.5/81.5/77.5) x 2	(89.5/81.5/77.5) x 2
	Capacitor	μF	3.5μF/450V	3.5μF/450V	2.5μF/450V x2	2.5μF/450V x2
	Speed (h/m/l)	r/min	1310/1210/1115	1310/1210/1115	1170/1070/995	1170/1070/995
Indoor coil	Number of rows		3	3	3	3
	Tube pitch x row pitch	mm	25.4x22	25.4x22	25.4x22	25.4x22
	Fin spacing	mm	1.8	1.8	1.8	1.8
	Fin type		Hydrophilic aluminum			
	Tube outside diameter and type	mm	Φ9.52			
	length x height x width		1094x254x66		1360x254x66	
	Number of circuits		5	5	5	5
Indoor air flow (H/M/L)		m ³ /h	1200/900/700	1200/900/700	1980/1860/1730	1980/1860/1730
Indoor noise level (H/M/L)		dB(A)	45/43/40	45/43/40	47/45/42	47/45/42
Indoor unit	Dimension (W×H×D)	mm	1280×203×660	1280×203×660	1670×244×680	1670×244×680
	Packing (W×H×D)	mm	1379×296×744	1379×296×744	1764×329×760	1764×329×760
	Net/Gross weight	kg	34.5/41	34.5/41	54/59	54/59
Refrigerant type		R410A				
Throttle	Type	EXV (Built-in)				
	Model	BD20FKS(L)		BD24FKS(L)		
Design pressure		MPa	4.4/2.6			
Refrigerant piping	Liquid side/ Gas side	mm	Φ9.52/ Φ15.9			
Connecting wiring	Power wiring	mm ²	3 x 2.5(L≤20m); 3 x 3.5(L≤50m)			
	Signal wiring	mm ²	3x0.75			
Drainage water pipe diameter		ODΦ25				
Controller		Wireless remote controller (RM05/BG(T)E-A) (Standard)				

Notes: 1. Nominal cooling capacities are based on the following conditions: return air temperature: 27°CDB, 19°CWB, outdoor temperature: 35°CDB, equivalent ref. Piping: 8m(horizontal)

2. Nominal heating capacities are based on the following conditions: return air temperature: 20°CDB, outdoor temperature: 7°CDB, 6°CWB, equivalent ref. Piping: 8m(horizontal)

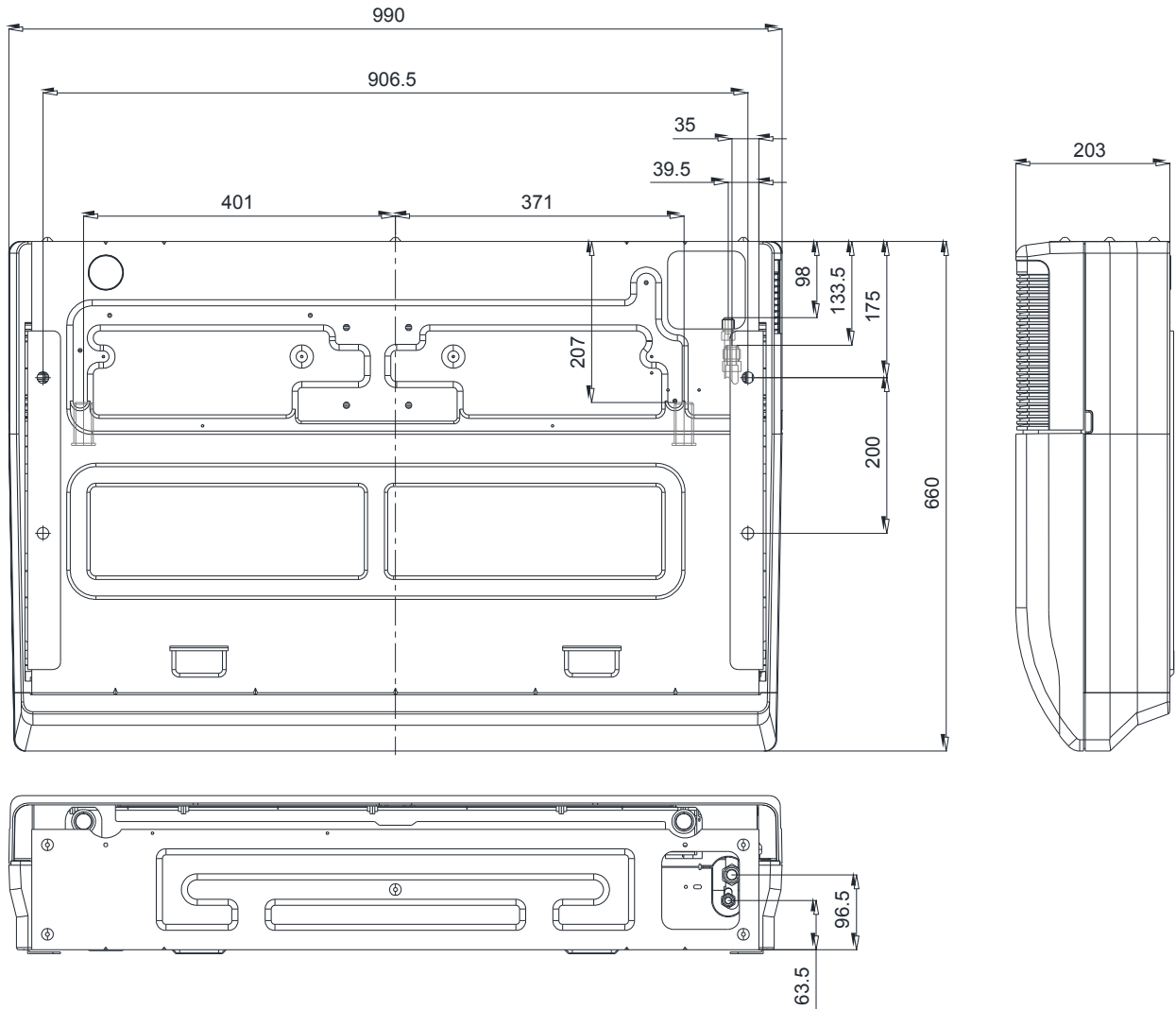
Model		TMVFCN160/I4RN1S	
Power supply		V- Ph-Hz	220~240-1-50
Cooling	Capacity	kW	16
	Input	W	300
	Rated current	A	1.41
Heating	Capacity	kW	18
	Input	W	300
	Rated current	A	1.41
Indoor fan motor	Model		YSK90-4D x2
	Type		Ac Motor
	Brand		Welling
	Input	W	90 x 2
	Capacitor	μF	5μF/450V x2
	Speed (h/m/l)	r/min	1190/1090/980
Indoor coil	Number of rows		3
	Tube pitch x row pitch	mm	25.4x22
	Fin spacing	mm	1.5
	Fin type		Hydrophilic aluminum
	Tube outside diameter and type	mm	Φ9.52 Inner groove tube
	length x height x width	mm	1360x254 x88
	Number of circuits		6
Indoor air flow (H/M/L)		m ³ /h	1980/1860/1730
Indoor noise level (H/M/L)		dB(A)	47/45/42
Indoor unit	Dimension (W×H×D)	mm	1670×285×680
	Packing (W×H×D)	mm	1775×377×760
	Net/Gross weight	kg	57.5/63.5
Refrigerant type		R410A	
Throttle	Type	EXV (Built-in)	
	Model	BD24FKS(L)	
Design pressure		MPa	4.4/2.6
Refrigerant piping	Liquid side/ Gas side	mm	Φ 9.52/ Φ15.9
Connecting wiring	Power wiring	mm ²	2.5(L≤20m); 3x3.5(L≤50m)
	Signal wiring	mm ²	3×0.75
Drainage water pipe diameter		ODΦ25	
Controller		Wireless remote controller (RM05/BG(T)E-A) (Standard)	

Notes: 1. Nominal cooling capacities are based on the following conditions: return air temperature: 27°CDB, 19°CWB, outdoor temperature:35°CDB, equivalent ref. Piping: 8m(horizontal)

2. Nominal heating capacities are based on the following conditions: return air temperature: 20°CDB, outdoor temperature: 7°CDB,6°CWB, equivalent ref. Piping: 8m(horizontal)

3. Dimensions

3.1 Outline dimension of TMVFCN036/I4RN1S TMVFCN045/I4RN1S TMVFCN056/I4RN1S TMVFCN071/I4RN1S



3.2 Main dimension:

TMVFCN036/I4RN1S TMVFCN045/I4RN1S

Outer Length: 990mm, Height: 660mm, Depth: 203mm

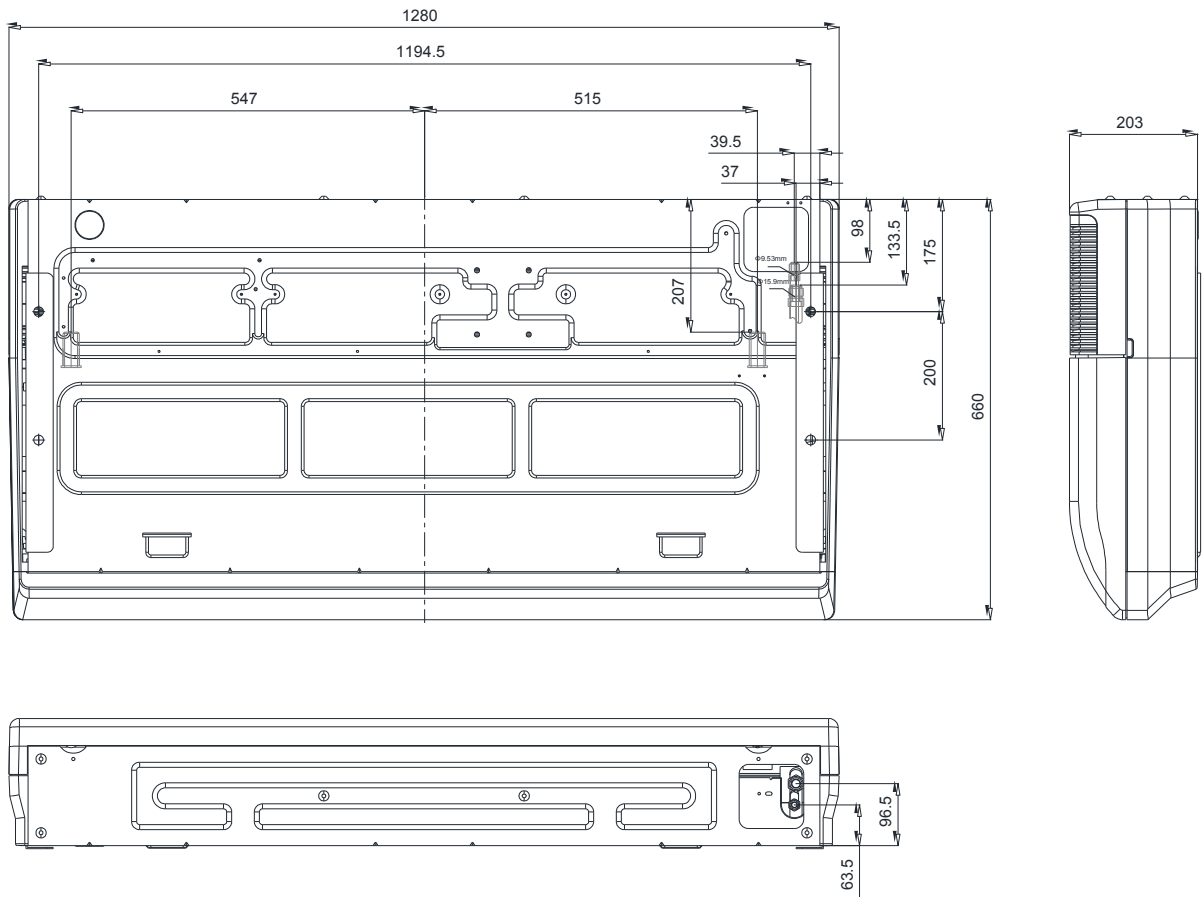
Gas tube: Φ 12.7mm, Liquid tube: Φ 6.35mm

TMVFCN056/I4RN1S TMVFCN071/I4RN1S

Outer Length: 990mm, Height: 660mm, Depth: 203mm

Gas tube: Φ 15.9mm Liquid tube: Φ 9.52

3.3 Outline dimension of TMVFCN080/I4RN1S TMVFCN090/I4RN1S

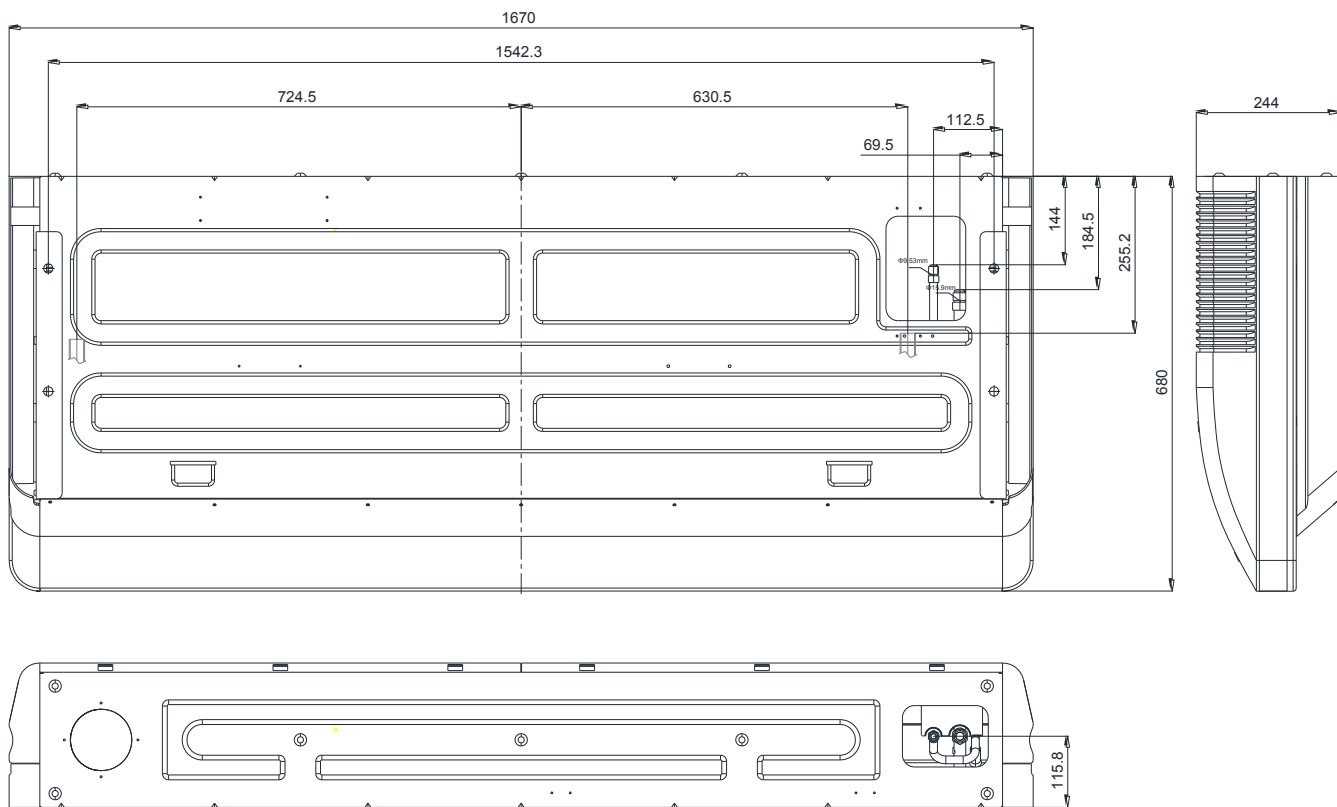


**3.4 Main dimension:
TMVFCN080/I4RN1S TMVFCN090/I4RN1S**

Outer Length: 1280mm, Height: 660mm, Depth: 203mm

Gas tube: $\phi 15.9\text{mm}$ Liquid tube: $\phi 9.52$

3.5 Outline dimension of TMVFCN112/I4RN1S TMVFCN140/I4RN1S



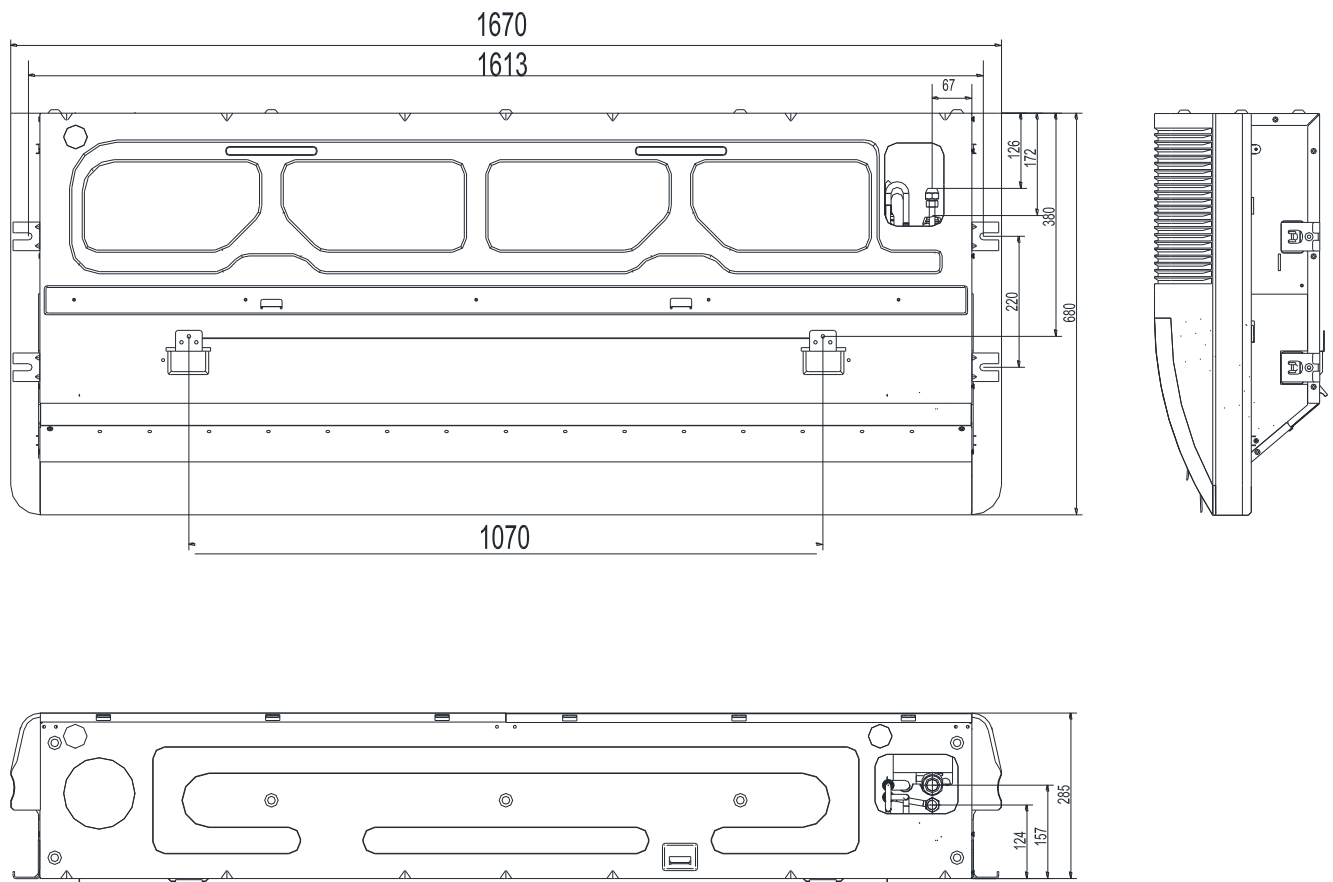
3.6 Main dimension:

TMVFCN112/I4RN1S TMVFCN140/I4RN1S

Outer Length: 1670mm, Height: 680mm, Depth: 244mm

Gas tube: $\phi 15.9\text{mm}$, Liquid tube: $\phi 9.52$

3.7 Outline dimension of TMVFCN160/I4RN1S



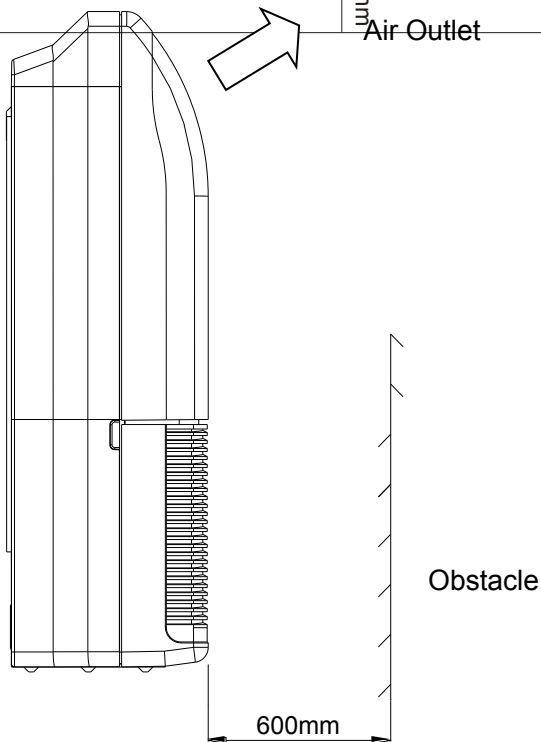
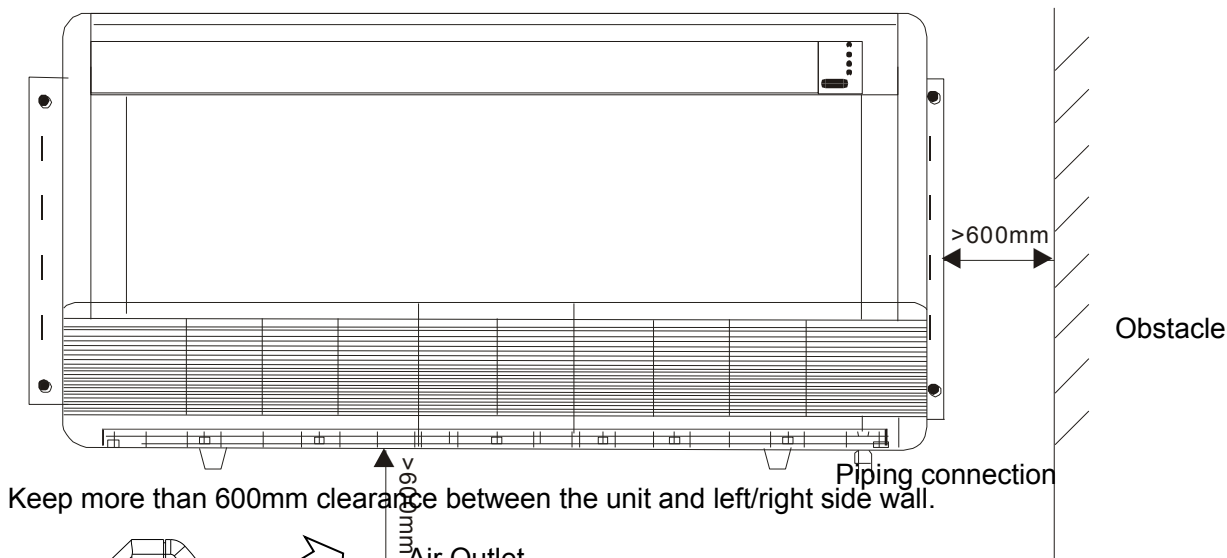
3.8 Main dimension: TMVFCN160/I4RN1S

Outer Length: 1670mm, Height: 680mm, Depth: 285mm

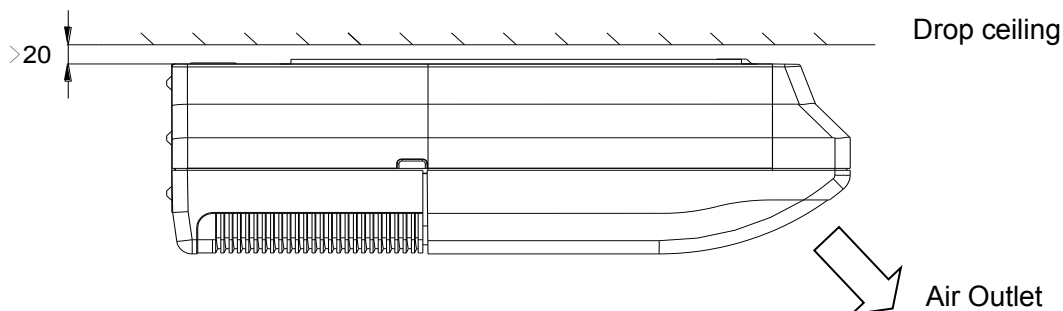
Gas tube: Φ 15.9mm Liquid tube: Φ 9.52

4. Service Spaces

TMVFCN036/I4RN1S TMVFCN045/I4RN1S TMVFCN056/I4RN1S
 TMVFCN071/I4RN1S TMVFCN080/I4RN1S TMVFCN090/I4RN1S
 TMVFCN112/I4RN1S TMVFCN140/I4RN1S TMVFCN160/I4RN1S



As well 600mm and up between the front panel and wall. For well ventilation.



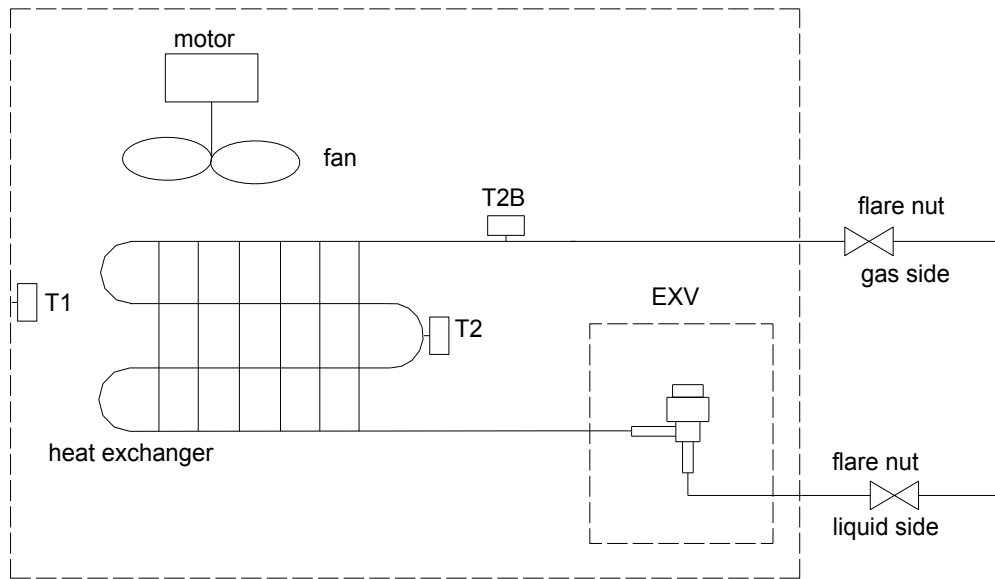
Keep 20mm up between the rear and wall if standing installed. As well 20mm between top and the drop ceiling if under ceiling installed

Note:

This indoor unit may be installed on ceilings up to 3.5 m in height. However, if the ceiling is higher than 2.7m, the remote control with follow me function should be customized.

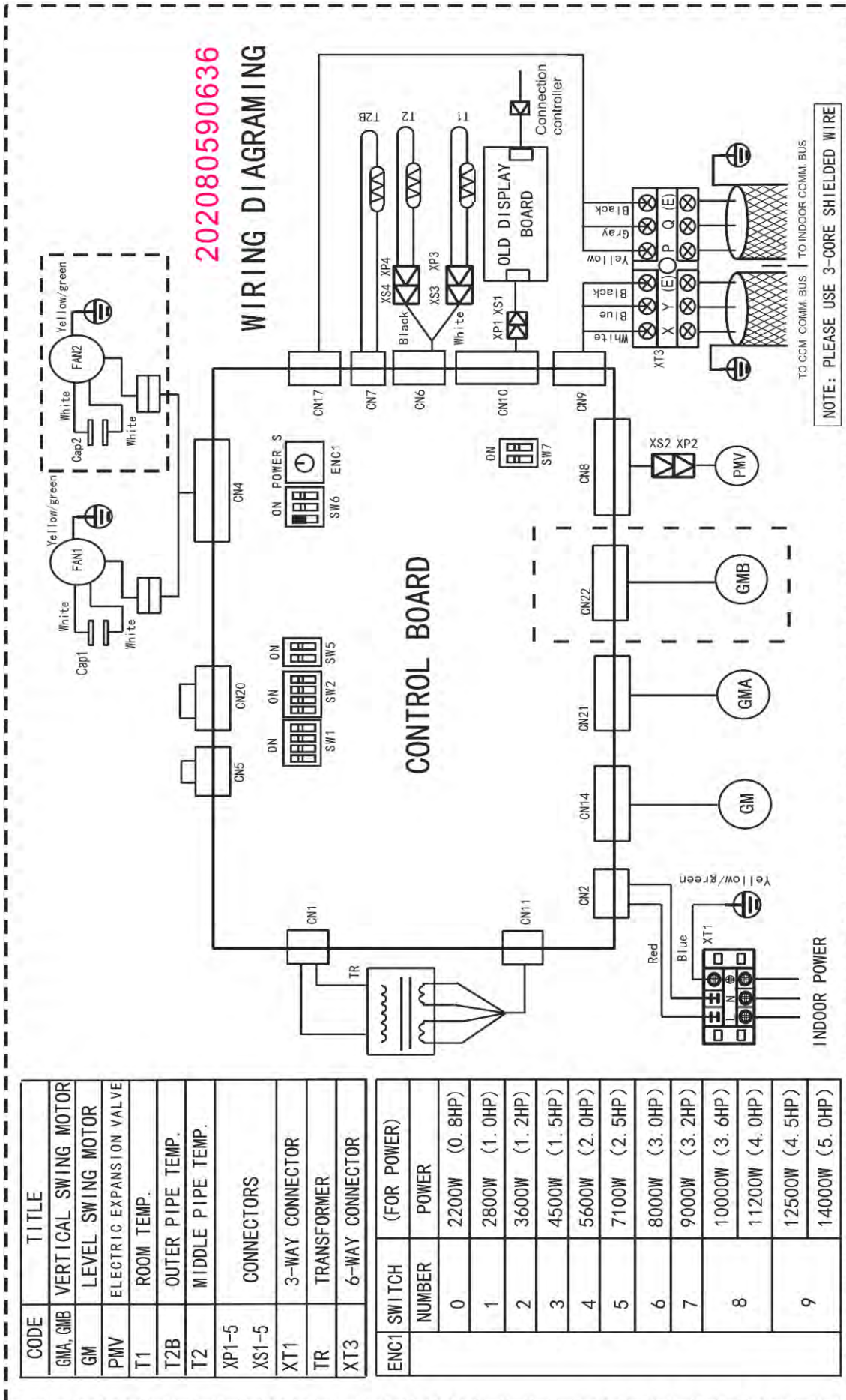
5.Piping Diagrams

TMVFCN036/I4RN1S TMVFCN045/I4RN1S TMVFCN056/I4RN1S
TMVFCN071/I4RN1S TMVFCN080/I4RN1S TMVFCN090/I4RN1S
TMVFCN112/I4RN1S TMVFCN140/I4RN1S TMVFCN160/I4RN1S

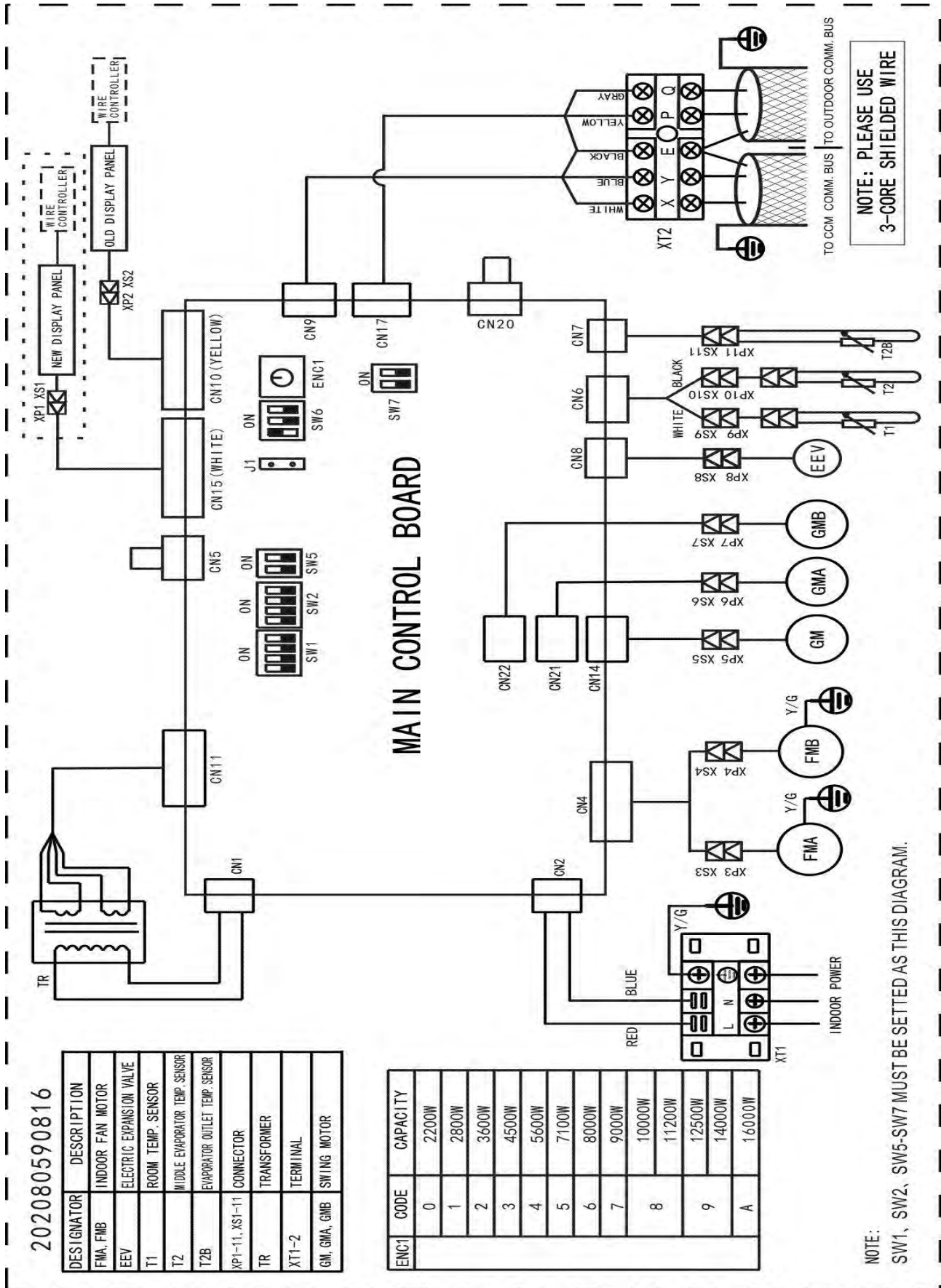


6.Wiring Diagrams

TMVFCN036/I4RN1S TMVFCN045/I4RN1S TMVFCN056/I4RN1S TMVFCN071/I4RN1S
 TMVFCN080/I4RN1S TMVFCN090/I4RN1S TMVFCN112/I4RN1S TMVFCN140/I4RN1S



TMVFCN160/I4RN1S



202080590816

DESIGNATOR	DESCRIPTION
FMA, FMB	INDOOR FAN MOTOR
EEV	ELECTRIC EXPANSION VALVE
T1	ROOM TEMP. SENSOR
T2	MIDDLE EVAPORATOR TEMP. SENSOR
T2B	EVAPORATOR OUTLET TEMP. SENSOR
XP1-11, XS1-11	CONNECTOR
TR	TRANSFORMER
XT1-2	TERMINAL
GM, GMA, GMB	SWING MOTOR

ENC1	CODE	CAPACITY
	0	2200W
	1	2800W
	2	3600W
	3	4500W
	4	5600W
	5	7100W
	6	8000W
	7	9000W
	8	10000W
		11200W
	9	12500W
		14000W
	A	16000W

NOTE: PLEASE USE 3-CORE SHIELDED WIRE

NOTE: SW1, SW2, SW5-SW7 MUST BE SETTED AS THIS DIAGRAM.

7.Capacity Tables

7.1 Cooling

TC: total capacity

SC: sensible capacity

WB: wet-bulb temperature

DB: dry-bulb temperature

Indoor Unit size (kW)	Outdoor temperature (°C DB)	Indoor temperature (°C WB/DB)													
		14/20		16/23		18/26		19/27		20/28		22/30		24/32	
		TC	SC	TC	SC	TC	SC	TC	SC	TC	SC	TC	SC	TC	SC
		kW	kW	kW	kW	kW	kW	kW	kW	kW	kW	kW	kW	kW	kW
3.6	10.0	2.5	1.9	2.9	2.1	3.4	2.3	3.6	2.4	3.8	2.5	4.3	2.4	4.7	2.5
	12.0	2.5	1.9	2.9	2.1	3.4	2.3	3.6	2.4	3.8	2.5	4.3	2.4	4.7	2.5
	14.0	2.5	1.9	2.9	2.1	3.4	2.3	3.6	2.4	3.8	2.5	4.3	2.4	4.6	2.4
	16.0	2.5	1.9	2.9	2.1	3.4	2.3	3.6	2.4	3.8	2.5	4.3	2.4	4.5	2.4
	18.0	2.5	1.9	2.9	2.1	3.4	2.3	3.6	2.4	3.8	2.5	4.3	2.4	4.5	2.4
	20.0	2.5	1.9	2.9	2.1	3.4	2.3	3.6	2.4	3.8	2.5	4.3	2.4	4.4	2.3
	21.0	2.5	1.9	2.9	2.1	3.4	2.3	3.6	2.4	3.8	2.5	4.3	2.4	4.4	2.3
	23.0	2.5	1.9	2.9	2.1	3.4	2.3	3.6	2.4	3.8	2.5	4.1	2.3	4.3	2.2
	25.0	2.5	1.9	2.9	2.1	3.4	2.3	3.6	2.4	3.8	2.5	4.1	2.3	4.2	2.2
	27.0	2.5	1.9	2.9	2.1	3.4	2.3	3.6	2.4	3.8	2.5	4.0	2.2	4.2	2.2
	29.0	2.5	1.9	2.9	2.1	3.4	2.3	3.6	2.4	3.8	2.5	4.0	2.2	4.1	2.2
	31.0	2.5	1.9	2.9	2.1	3.4	2.3	3.6	2.4	3.8	2.5	4.2	2.6	4.1	2.2
	33.0	2.5	1.9	2.9	2.1	3.4	2.3	3.6	2.4	3.8	2.5	4.2	2.6	3.9	2.1
	35.0	2.5	1.9	2.9	2.1	3.4	2.3	3.6	2.4	3.8	2.5	4.2	2.6	3.9	2.1
	37.0	2.5	1.9	2.9	2.1	3.4	2.3	3.6	2.4	3.7	2.4	3.8	2.3	3.9	2.1
	39.0	2.5	1.9	2.9	2.1	3.4	2.3	3.6	2.4	3.7	2.4	3.8	2.3	3.8	2.1
42.0	2.5	1.9	2.9	2.1	3.4	2.3	3.6	2.4	3.7	2.4	3.8	2.3	3.8	2.1	
44.0	2.5	1.9	2.9	2.1	3.4	2.3	3.6	2.4	3.7	2.4	3.8	2.3	3.8	2.1	
46.0	2.5	1.9	2.9	2.1	3.4	2.3	3.6	2.4	3.7	2.4	3.8	2.3	3.8	2.1	
4.5	10.0	3.1	2.4	3.7	2.6	4.2	2.8	4.5	2.9	4.8	3.0	5.3	3.4	5.9	3.0
	12.0	3.1	2.4	3.7	2.6	4.2	2.8	4.5	2.9	4.8	3.0	5.3	3.4	5.9	3.0
	14.0	3.1	2.4	3.7	2.6	4.2	2.8	4.5	2.9	4.8	3.0	5.3	3.4	5.8	3.0
	16.0	3.1	2.4	3.7	2.6	4.2	2.8	4.5	2.9	4.8	3.0	5.3	3.4	5.6	2.9
	18.0	3.1	2.4	3.7	2.6	4.2	2.8	4.5	2.9	4.8	3.0	5.3	3.4	5.7	3.0
	20.0	3.1	2.4	3.7	2.6	4.2	2.8	4.5	2.9	4.8	3.0	5.3	3.4	5.7	3.0
	21.0	3.1	2.4	3.7	2.6	4.2	2.8	4.5	2.9	4.8	3.0	5.3	3.4	5.6	3.0
	23.0	3.1	2.4	3.7	2.6	4.2	2.8	4.5	2.9	4.8	3.0	5.3	3.4	5.5	3.0
	25.0	3.1	2.4	3.7	2.6	4.2	2.8	4.5	2.9	4.8	3.0	5.2	3.0	5.4	2.9
	27.0	3.1	2.4	3.7	2.6	4.2	2.8	4.5	2.9	4.8	3.0	5.1	3.0	5.2	2.8
	29.0	3.1	2.4	3.7	2.6	4.2	2.8	4.5	2.9	4.8	3.0	5.1	2.9	5.2	2.8
	31.0	3.1	2.4	3.7	2.6	4.2	2.8	4.5	2.9	4.8	3.0	5.0	2.9	5.1	2.7
	33.0	3.1	2.4	3.7	2.6	4.2	2.8	4.5	2.9	4.8	3.0	4.9	2.8	5.1	2.7
	35.0	3.1	2.4	3.7	2.6	4.2	2.8	4.5	2.9	4.8	3.0	4.8	2.8	5.0	2.7
	37.0	3.1	2.4	3.7	2.6	4.2	2.8	4.5	2.9	4.8	3.0	4.8	2.9	4.9	2.6
	39.0	3.1	2.4	3.7	2.6	4.2	2.8	4.5	2.9	4.6	2.8	4.7	2.8	4.8	2.6
42.0	3.1	2.4	3.7	2.6	4.2	2.8	4.5	2.9	4.6	2.8	4.7	2.8	4.8	2.6	
44.0	3.1	2.4	3.7	2.6	4.2	2.8	4.5	2.9	4.6	2.8	4.7	2.8	4.8	2.6	
46.0	3.1	2.4	3.7	2.6	4.2	2.8	4.5	2.9	4.6	2.8	4.7	3.1	4.8	2.6	
5.6	10.0	3.9	2.7	4.6	3.0	5.3	3.3	5.6	3.4	5.9	3.5	6.6	3.6	7.3	3.5
	12.0	3.9	2.7	4.6	3.0	5.3	3.3	5.6	3.4	5.9	3.5	6.6	3.6	7.2	3.5
	14.0	3.9	2.7	4.6	3.0	5.3	3.3	5.6	3.4	5.9	3.5	6.6	3.6	7.1	3.5
	16.0	3.9	2.7	4.6	3.0	5.3	3.3	5.6	3.4	5.9	3.5	6.6	3.6	7.0	3.4
	18.0	3.9	2.7	4.6	3.0	5.3	3.3	5.6	3.4	5.9	3.5	6.6	3.6	6.8	3.4
	20.0	3.9	2.7	4.6	3.0	5.3	3.3	5.6	3.4	5.9	3.5	6.6	3.6	6.7	3.3
	21.0	3.9	2.7	4.6	3.0	5.3	3.3	5.6	3.4	5.9	3.5	6.6	3.6	6.6	3.3
	23.0	3.9	2.7	4.6	3.0	5.3	3.3	5.6	3.4	5.9	3.5	6.6	3.6	6.6	3.3
	25.0	3.9	2.7	4.6	3.0	5.3	3.3	5.6	3.4	5.9	3.5	6.6	3.6	6.5	3.2
	27.0	3.9	2.7	4.6	3.0	5.3	3.3	5.6	3.4	5.9	3.5	6.4	3.5	6.4	3.2
	29.0	3.9	2.7	4.6	3.0	5.3	3.3	5.6	3.4	5.9	3.5	6.3	3.5	6.4	3.3
	31.0	3.9	2.7	4.6	3.0	5.3	3.3	5.6	3.4	5.9	3.5	6.2	3.4	6.2	3.2
	33.0	3.9	2.7	4.6	3.0	5.3	3.3	5.6	3.4	5.9	3.5	6.2	3.4	6.2	3.2
	35.0	3.9	2.7	4.6	3.0	5.3	3.3	5.6	3.4	5.9	3.5	6.0	3.3	6.0	3.1
	37.0	3.9	2.7	4.6	3.0	5.3	3.3	5.6	3.4	5.9	3.5	5.9	3.2	6.0	3.1
	39.0	3.9	2.7	4.6	3.0	5.3	3.3	5.6	3.4	5.7	3.4	5.8	3.2	6.0	3.1
42.0	3.9	2.7	4.6	3.0	5.3	3.3	5.6	3.4	5.7	3.4	5.8	3.2	6.0	3.1	
44.0	3.9	2.7	4.6	3.0	5.3	3.3	5.6	3.4	5.7	3.4	5.8	3.2	6.0	3.1	
46.0	3.9	2.7	4.6	3.0	5.3	3.3	5.6	3.4	5.7	3.7	5.8	3.2	6.0	3.1	
10.0	4.9	3.6	5.8	4.0	6.7	4.3	7.1	4.5	7.5	4.4	8.4	4.5	9.2	4.6	

7.1	12.0	4.9	3.6	5.8	4.0	6.7	4.3	7.1	4.5	7.5	4.4	8.4	4.5	9.1	4.5
	14.0	4.9	3.6	5.8	4.0	6.7	4.3	7.1	4.5	7.5	4.4	8.4	4.5	9.0	4.5
	16.0	4.9	3.6	5.8	4.0	6.7	4.3	7.1	4.5	7.5	4.4	8.4	4.5	8.9	4.4
	18.0	4.9	3.6	5.8	4.0	6.7	4.3	7.1	4.5	7.5	4.4	8.4	4.5	8.7	4.3
	20.0	4.9	3.6	5.8	4.0	6.7	4.3	7.1	4.5	7.5	4.4	8.4	4.5	8.5	4.2
	21.0	4.9	3.6	5.8	4.0	6.7	4.3	7.1	4.5	7.5	4.4	8.4	4.5	8.4	4.2
	23.0	4.9	3.6	5.8	4.0	6.7	4.3	7.1	4.5	7.5	4.4	8.4	4.5	8.3	4.1
	25.0	4.9	3.6	5.8	4.0	6.7	4.3	7.1	4.5	7.5	4.4	8.4	4.5	8.2	4.1
	27.0	4.9	3.6	5.8	4.0	6.7	4.3	7.1	4.5	7.5	4.4	8.1	4.3	8.2	4.1
	29.0	4.9	3.6	5.8	4.0	6.7	4.3	7.1	4.5	7.5	4.5	8.0	4.3	8.1	4.1
	31.0	4.9	3.6	5.8	4.0	6.7	4.3	7.1	4.5	7.5	4.5	7.9	4.3	7.8	4.0
	33.0	4.9	3.6	5.8	4.0	6.7	4.3	7.1	4.5	7.5	4.5	7.8	4.2	7.8	4.0
	35.0	4.9	3.6	5.8	4.0	6.7	4.3	7.1	4.5	7.5	4.5	7.6	4.1	7.7	3.9
	37.0	4.9	3.6	5.8	4.0	6.7	4.3	7.1	4.5	7.4	4.4	7.5	4.1	7.6	4.0
	39.0	4.9	3.6	5.8	4.0	6.7	4.3	7.1	4.5	7.2	4.3	7.4	4.1	7.6	4.0
42.0	4.9	3.6	5.8	4.0	6.7	4.3	7.1	4.5	7.2	4.3	7.4	4.1	7.6	4.0	
44.0	4.9	3.6	5.8	4.0	6.7	4.3	7.1	4.5	7.2	4.3	7.4	4.1	7.6	4.0	
46.0	4.9	3.6	5.8	4.0	6.7	4.3	7.1	4.5	7.2	4.3	7.4	4.1	7.6	4.0	
8.0	10.0	5.5	4.4	6.6	4.9	7.5	5.3	8.0	5.5	8.4	5.4	9.4	5.5	10.4	5.6
	12.0	5.5	4.4	6.6	4.9	7.5	5.3	8.0	5.5	8.4	5.4	9.4	5.5	10.2	5.5
	14.0	5.5	4.4	6.6	4.9	7.5	5.3	8.0	5.5	8.4	5.4	9.4	5.5	10.2	5.5
	16.0	5.5	4.4	6.6	4.9	7.5	5.3	8.0	5.5	8.4	5.4	9.4	5.5	10.0	5.4
	18.0	5.5	4.4	6.6	4.9	7.5	5.3	8.0	5.5	8.4	5.4	9.4	5.5	9.8	5.3
	20.0	5.5	4.4	6.6	4.9	7.5	5.3	8.0	5.5	8.4	5.4	9.4	5.5	9.6	5.2
	21.0	5.5	4.4	6.6	4.9	7.5	5.3	8.0	5.5	8.4	5.4	9.4	5.5	9.4	5.1
	23.0	5.5	4.4	6.6	4.9	7.5	5.3	8.0	5.5	8.4	5.4	9.4	5.5	9.4	5.1
	25.0	5.5	4.4	6.6	4.9	7.5	5.3	8.0	5.5	8.4	5.4	9.4	5.5	9.3	5.0
	27.0	5.5	4.4	6.6	4.9	7.5	5.3	8.0	5.5	8.4	5.4	9.1	5.3	9.2	5.1
	29.0	5.5	4.4	6.6	4.9	7.5	5.3	8.0	5.5	8.4	5.5	9.0	5.3	9.1	5.0
	31.0	5.5	4.4	6.6	4.9	7.5	5.3	8.0	5.5	8.4	5.5	8.9	5.2	8.8	4.8
	33.0	5.5	4.4	6.6	4.9	7.5	5.3	8.0	5.5	8.4	5.5	8.8	5.2	8.8	4.8
	35.0	5.5	4.4	6.6	4.9	7.5	5.3	8.0	5.5	8.4	5.5	8.6	5.1	8.6	4.8
	37.0	5.5	4.4	6.6	4.9	7.5	5.3	8.0	5.5	8.3	5.4	8.4	5.0	8.6	4.9
39.0	5.5	4.4	6.6	4.9	7.5	5.3	8.0	5.5	8.1	5.3	8.3	5.0	8.6	4.9	
42.0	5.5	4.4	6.6	4.9	7.5	5.3	8.0	5.5	8.1	5.3	8.3	5.0	8.6	4.9	
44.0	5.5	4.4	6.6	4.9	7.5	5.3	8.0	5.5	8.1	5.3	8.3	5.0	8.6	4.9	
46.0	5.5	4.4	6.6	4.9	7.5	5.3	8.0	5.5	8.1	5.3	8.3	5.0	8.6	4.9	
9.0	10.0	6.2	4.9	7.3	5.3	8.4	5.8	9.0	5.9	9.6	6.0	10.6	6.1	11.7	6.0
	12.0	6.2	4.9	7.3	5.3	8.4	5.8	9.0	5.9	9.6	6.0	10.6	6.1	11.5	5.9
	14.0	6.2	4.9	7.3	5.3	8.4	5.8	9.0	5.9	9.6	6.0	10.6	6.1	11.4	5.9
	16.0	6.2	4.9	7.3	5.3	8.4	5.8	9.0	5.9	9.6	6.0	10.6	6.1	11.3	5.8
	18.0	6.2	4.9	7.3	5.3	8.4	5.8	9.0	5.9	9.6	6.0	10.6	6.1	11.0	5.8
	20.0	6.2	4.9	7.3	5.3	8.4	5.8	9.0	5.9	9.6	6.0	10.6	6.1	10.8	5.7
	21.0	6.2	4.9	7.3	5.3	8.4	5.8	9.0	5.9	9.6	6.0	10.6	6.1	10.6	5.6
	23.0	6.2	4.9	7.3	5.3	8.4	5.8	9.0	5.9	9.6	6.0	10.6	6.1	10.5	5.5
	25.0	6.2	4.9	7.3	5.3	8.4	5.8	9.0	5.9	9.6	6.0	10.6	6.1	10.4	5.5
	27.0	6.2	4.9	7.3	5.3	8.4	5.8	9.0	5.9	9.6	6.0	10.3	5.9	10.4	5.4
	29.0	6.2	4.9	7.3	5.3	8.4	5.8	9.0	5.9	9.6	6.0	10.1	5.7	10.3	5.4
	31.0	6.2	4.9	7.3	5.3	8.4	5.8	9.0	5.9	9.6	6.0	10.0	5.7	9.9	5.3
	33.0	6.2	4.9	7.3	5.3	8.4	5.8	9.0	5.9	9.6	6.0	9.9	5.6	9.9	5.3
	35.0	6.2	4.9	7.3	5.3	8.4	5.8	9.0	5.9	9.5	6.0	9.6	5.5	9.7	5.3
	37.0	6.2	4.9	7.3	5.3	8.4	5.8	9.0	5.9	9.3	5.8	9.5	5.4	9.6	5.3
39.0	6.2	4.9	7.3	5.3	8.4	5.8	9.0	5.9	9.2	5.7	9.4	5.3	9.6	5.3	
42.0	6.2	4.9	7.3	5.3	8.4	5.8	9.0	5.9	9.2	5.7	9.4	5.3	9.6	5.3	
44.0	6.2	4.9	7.3	5.3	8.4	5.8	9.0	5.9	9.2	5.7	9.4	5.3	9.6	5.3	
46.0	6.2	4.9	7.3	5.3	8.4	5.8	9.0	5.9	9.2	5.7	9.4	5.3	9.6	5.3	
10.0	10.0	6.9	5.6	8.1	6.2	9.4	6.9	10.0	7.0	10.6	7.0	11.9	7.3	13.0	7.3
	12.0	6.9	5.6	8.1	6.2	9.4	6.9	10.0	7.0	10.6	7.0	11.9	7.3	12.8	7.2
	14.0	6.9	5.6	8.1	6.2	9.4	6.9	10.0	7.0	10.6	7.0	11.9	7.3	12.7	7.1
	16.0	6.9	5.6	8.1	6.2	9.4	6.9	10.0	7.0	10.6	7.0	11.9	7.3	12.5	7.0
	18.0	6.9	5.6	8.1	6.2	9.4	6.9	10.0	7.0	10.6	7.0	11.9	7.3	12.2	6.8
	20.0	6.9	5.6	8.1	6.2	9.4	6.9	10.0	7.0	10.6	7.0	11.9	7.3	12.0	6.7
	21.0	6.9	5.6	8.1	6.2	9.4	6.9	10.0	7.0	10.6	7.0	11.9	7.3	11.8	6.6
	23.0	6.9	5.6	8.1	6.2	9.4	6.9	10.0	7.0	10.6	7.0	11.7	7.3	11.7	6.6
25.0	6.9	5.6	8.1	6.2	9.4	6.9	10.0	7.0	10.6	7.0	11.6	7.2	11.6	6.5	

Ceiling & Floor Type

	27.0	6.9	5.6	8.1	6.2	9.4	6.9	10.0	7.0	10.6	7.0	11.5	7.1	11.5	6.6
	29.0	6.9	5.6	8.1	6.2	9.4	6.9	10.0	7.0	10.6	7.0	11.4	7.1	11.4	6.5
	31.0	6.9	5.6	8.1	6.2	9.4	6.9	10.0	7.0	10.6	7.0	11.3	7.0	11.0	6.3
	33.0	6.9	5.6	8.1	6.2	9.4	6.9	10.0	7.0	10.6	7.0	11.2	6.9	11.0	6.3
	35.0	6.9	5.6	8.1	6.2	9.4	6.9	10.0	7.0	10.5	6.9	10.8	6.7	10.8	6.3
	37.0	6.9	5.6	8.1	6.2	9.4	6.9	10.0	7.0	10.4	6.9	10.8	6.7	10.7	6.2
	39.0	6.9	5.6	8.1	6.2	9.4	6.9	10.0	7.0	10.2	6.7	10.4	6.6	10.7	6.3
	42.0	6.9	5.6	8.1	6.2	9.4	6.9	10.0	7.0	10.2	6.7	10.4	6.6	10.7	6.3
	44.0	6.9	5.6	8.1	6.2	9.4	6.9	10.0	7.0	10.2	6.7	10.4	6.6	10.7	6.3
46.0	6.9	5.6	8.1	6.2	9.4	6.9	10.0	7.0	10.2	6.7	10.4	6.6	10.7	6.3	
11.2	10.0	7.7	5.9	9.1	6.5	10.5	7.1	11.2	7.2	11.9	7.4	13.3	7.6	15.5	8.2
	12.0	7.7	5.9	9.1	6.5	10.5	7.1	11.2	7.2	11.9	7.4	13.3	7.6	14.4	7.7
	14.0	7.7	5.9	9.1	6.5	10.5	7.1	11.2	7.2	11.9	7.4	13.3	7.6	14.2	7.6
	16.0	7.7	5.9	9.1	6.5	10.5	7.1	11.2	7.2	11.9	7.4	13.3	7.6	14.1	7.5
	18.0	7.7	5.9	9.1	6.5	10.5	7.1	11.2	7.2	11.9	7.4	13.3	7.6	14.0	7.5
	20.0	7.7	5.9	9.1	6.5	10.5	7.1	11.2	7.2	11.9	7.4	13.3	7.6	13.9	7.4
	21.0	7.7	5.9	9.1	6.5	10.5	7.1	11.2	7.2	11.9	7.4	13.3	7.6	13.8	7.4
	23.0	7.7	5.9	9.1	6.5	10.5	7.1	11.2	7.2	11.9	7.4	13.1	7.5	13.7	7.3
	25.0	7.7	5.9	9.1	6.5	10.5	7.1	11.2	7.2	11.9	7.4	13.0	7.4	13.6	7.2
	27.0	7.7	5.9	9.1	6.5	10.5	7.1	11.2	7.2	11.9	7.4	12.9	7.3	13.4	7.2
	29.0	7.7	5.9	9.1	6.5	10.5	7.1	11.2	7.2	11.9	7.4	12.8	7.3	13.3	7.2
	31.0	7.7	5.9	9.1	6.5	10.5	7.1	11.2	7.2	11.9	7.4	12.7	7.2	12.8	6.9
	33.0	7.7	5.9	9.1	6.5	10.5	7.1	11.2	7.2	11.9	7.4	12.5	7.2	12.5	6.8
	35.0	7.7	5.9	9.1	6.5	10.5	7.1	11.2	7.2	11.8	7.4	12.4	7.1	12.3	6.7
	37.0	7.7	5.9	9.1	6.5	10.5	7.1	11.2	7.2	11.6	7.3	12.3	7.0	12.1	6.6
	39.0	7.7	5.9	9.1	6.5	10.5	7.1	11.2	7.2	11.4	7.1	12.2	7.0	11.9	6.6
42.0	7.7	6.0	9.1	6.6	10.4	7.2	11.2	7.3	11.4	7.1	11.6	6.6	12.0	6.6	
44.0	7.7	6.0	9.1	6.6	10.4	7.2	11.2	7.3	11.4	7.1	11.6	6.6	12.0	6.6	
46.0	7.7	6.0	9.1	6.6	10.4	7.2	11.2	7.3	11.4	7.1	11.6	6.6	12.0	6.6	
14.0	10.0	9.7	7.2	11.3	7.9	13.2	8.8	14.0	9.0	14.8	9.0	16.7	9.3	18.2	9.4
	12.0	9.7	7.2	11.3	7.9	13.2	8.8	14.0	9.0	14.8	9.0	16.7	9.3	17.9	9.2
	14.0	9.7	7.2	11.3	7.9	13.2	8.8	14.0	9.0	14.8	9.0	16.7	9.3	17.8	9.2
	16.0	9.7	7.2	11.3	7.9	13.2	8.8	14.0	9.0	14.8	9.0	16.7	9.3	17.5	9.0
	18.0	9.7	7.2	11.3	7.9	13.2	8.8	14.0	9.0	14.8	9.0	16.7	9.3	17.1	8.8
	20.0	9.7	7.2	11.3	7.9	13.2	8.8	14.0	9.0	14.8	9.0	16.7	9.3	16.8	8.7
	21.0	9.7	7.2	11.3	7.9	13.2	8.8	14.0	9.0	14.8	9.0	16.7	9.3	16.5	8.5
	23.0	9.7	7.2	11.3	7.9	13.2	8.8	14.0	9.0	14.8	9.0	16.4	9.3	16.4	8.4
	25.0	9.7	7.2	11.3	7.9	13.2	8.8	14.0	9.0	14.8	9.0	16.2	9.3	16.2	8.4
	27.0	9.7	7.2	11.3	7.9	13.2	8.8	14.0	9.0	14.8	9.0	16.1	9.2	16.1	8.4
	29.0	9.7	7.2	11.3	7.9	13.2	8.8	14.0	9.0	14.8	9.0	16.0	9.1	16.0	8.4
	31.0	9.7	7.2	11.3	7.9	13.2	8.8	14.0	9.0	14.8	9.0	15.8	9.0	15.4	8.1
	33.0	9.7	7.2	11.3	7.9	13.2	8.8	14.0	9.0	14.8	9.0	15.7	8.9	15.4	8.1
	35.0	9.7	7.2	11.3	7.9	13.2	8.8	14.0	9.0	14.7	8.9	15.1	8.6	15.1	8.1
	37.0	9.7	7.2	11.3	7.9	13.2	8.8	14.0	9.0	14.6	8.8	15.1	8.6	15.0	8.0
	39.0	9.7	7.2	11.3	7.9	13.2	8.8	14.0	9.0	14.3	8.7	14.6	8.4	15.0	8.1
42.0	9.7	7.2	11.3	7.9	13.2	8.8	14.0	9.0	14.3	8.7	14.6	8.4	15.0	8.1	
44.0	9.7	7.2	11.3	7.9	13.2	8.8	14.0	9.0	14.3	8.7	14.6	8.4	15.0	8.1	
46.0	9.7	7.2	11.3	7.9	13.2	8.8	14.0	9.0	14.3	8.7	14.6	8.4	15.0	8.1	
16.0	10.0	11.0	13.0	13.0	12.2	15.0	11.7	16.0	11.2	17.0	10.6	19.0	9.8	20.8	9.0
	12.0	11.0	13.0	13.0	12.2	15.0	11.7	16.0	11.2	17.0	10.6	19.0	9.8	20.5	9.0
	14.0	11.0	13.0	13.0	12.2	15.0	11.7	16.0	11.2	17.0	10.6	19.0	9.8	20.3	9.0
	16.0	11.0	13.0	13.0	12.2	15.0	11.7	16.0	11.2	17.0	10.6	19.0	9.8	20.0	9.0
	18.0	11.0	13.0	13.0	12.2	15.0	11.7	16.0	11.2	17.0	10.6	19.0	9.8	19.5	9.0
	20.0	11.0	13.0	13.0	12.2	15.0	11.7	16.0	11.2	17.0	10.6	19.0	9.8	19.2	9.0
	21.0	11.0	13.0	13.0	12.2	15.0	11.7	16.0	11.2	17.0	10.6	19.0	9.8	18.9	9.0
	23.0	11.0	13.0	13.0	12.2	15.0	11.7	16.0	11.2	17.0	10.6	18.7	9.9	18.7	9.0
	25.0	11.0	13.0	13.0	12.2	15.0	11.7	16.0	11.2	17.0	10.6	18.6	9.9	18.6	9.0
	27.0	11.0	13.0	13.0	12.2	15.0	11.7	16.0	11.2	17.0	10.6	18.4	9.9	18.4	9.1
	29.0	11.0	13.0	13.0	12.2	15.0	11.7	16.0	11.2	17.0	10.6	18.2	9.9	18.2	9.1
	31.0	11.0	13.0	13.0	12.2	15.0	11.7	16.0	11.2	17.0	10.6	18.1	9.9	17.6	9.1
	33.0	11.0	13.0	13.0	12.2	15.0	11.7	16.0	11.2	17.0	10.6	17.9	9.9	17.6	9.1
	35.0	11.0	13.0	13.0	12.2	15.0	11.7	16.0	11.2	16.8	10.6	17.3	9.9	17.3	9.3
	37.0	11.0	13.0	13.0	12.2	15.0	11.7	16.0	11.2	16.6	10.6	17.3	9.9	17.1	9.3
	39.0	11.0	13.0	13.0	12.2	15.0	11.7	16.0	11.2	16.3	10.6	16.6	10.1	17.1	9.4
42.0	11.0	13.0	13.0	12.2	15.0	11.7	16.0	11.2	16.3	10.6	16.6	10.1	17.1	9.4	

	44.0	11.0	13.0	13.0	12.2	15.0	11.7	16.0	11.2	16.3	10.6	16.6	10.1	17.1	9.4
	46.0	11.0	13.0	13.0	12.2	15.0	11.7	16.0	11.2	16.3	10.6	16.6	10.1	17.1	9.4

7.2 Heating

TC: total capacity

WB: wet-bulb temperature DB: dry-bulb temperature

Indoor Unit size (kW)	Outdoor temperature (°C)		Indoor temperature (°C DB)					
			16.00	18.00	20.00	21.00	22.00	24.00
	WB	DB	TC kW	TC kW	TC kW	TC kW	TC kW	TC kW
3.6	-20	-19.8	2.24	2.24	2.24	2.24	2.24	2.24
	-19	-18.8	2.40	2.40	2.40	2.40	2.40	2.40
	-17	-16.7	2.52	2.52	2.52	2.52	2.52	2.52
	-15	-14.7	2.60	2.60	2.60	2.60	2.60	2.60
	-13.00	-12.60	2.68	2.68	2.68	2.68	2.68	2.68
	-11.00	-10.50	2.80	2.80	2.80	2.80	2.80	2.80
	-10.00	-9.50	2.92	2.92	2.92	2.92	2.92	2.92
	-9.10	-8.50	3.00	3.00	3.00	3.00	3.00	3.00
	-7.60	-7.00	3.04	3.04	3.04	3.04	3.04	3.04
	-5.60	-5.00	3.16	3.16	3.16	3.16	3.16	3.16
	-3.70	-3.00	3.32	3.32	3.32	3.32	3.32	3.32
	-0.70	0.00	3.56	3.56	3.56	3.56	3.56	3.36
	2.20	3.00	3.76	3.76	3.76	3.76	3.68	3.36
	4.10	5.00	3.88	3.88	3.88	3.88	3.68	3.36
	6.00	7.00	4.00	4.00	4.00	3.88	3.68	3.36
7.90	9.00	4.12	4.12	4.00	3.88	3.68	3.36	
9.80	11.00	4.24	4.24	4.00	3.88	3.68	3.36	
11.80	13.00	4.40	4.32	4.00	3.88	3.68	3.36	
13.70	15.00	4.52	4.32	4.00	3.88	3.68	3.36	
4.5	-20	-19.8	2.80	2.80	2.80	2.80	2.80	2.80
	-19	-18.8	3.00	3.00	3.00	3.00	3.00	3.00
	-17	-16.7	3.15	3.15	3.15	3.15	3.15	3.15
	-15	-14.7	3.25	3.25	3.25	3.25	3.25	3.25
	-13.00	-12.60	3.35	3.35	3.35	3.35	3.35	3.35
	-11.00	-10.50	3.50	3.50	3.50	3.50	3.50	3.50
	-10.00	-9.50	3.65	3.65	3.65	3.65	3.65	3.65
	-9.10	-8.50	3.75	3.75	3.75	3.75	3.75	3.75
	-7.60	-7.00	3.80	3.80	3.80	3.80	3.80	3.80
	-5.60	-5.00	3.95	3.95	3.95	3.95	3.95	3.95
	-3.70	-3.00	4.15	4.15	4.15	4.15	4.15	4.15
	-0.70	0.00	4.45	4.45	4.45	4.45	4.45	4.20
	2.20	3.00	4.70	4.70	4.70	4.70	4.60	4.20
	4.10	5.00	4.85	4.85	4.85	4.85	4.60	4.20
	6.00	7.00	5.00	5.00	5.00	4.85	4.60	4.20
7.90	9.00	5.15	5.15	5.00	4.85	4.60	4.20	
9.80	11.00	5.30	5.30	5.00	4.85	4.60	4.20	
11.80	13.00	5.50	5.40	5.00	4.85	4.60	4.20	
13.70	15.00	5.65	5.40	5.00	4.85	4.60	4.20	
5.6	-20	-19.8	3.53	3.53	3.53	3.53	3.53	3.53
	-19	-18.8	3.78	3.78	3.78	3.78	3.78	3.78
	-17	-16.7	3.97	3.97	3.97	3.97	3.97	3.97
	-15	-14.7	4.10	4.10	4.10	4.10	4.10	4.10
	-13.00	-12.60	4.22	4.22	4.22	4.22	4.22	4.22
	-11.00	-10.50	4.41	4.41	4.41	4.41	4.41	4.41
	-10.00	-9.50	4.60	4.60	4.60	4.60	4.60	4.60
	-9.10	-8.50	4.73	4.73	4.73	4.73	4.73	4.73
	-7.60	-7.00	4.79	4.79	4.79	4.79	4.79	4.79
	-5.60	-5.00	4.98	4.98	4.98	4.98	4.98	4.98
	-3.70	-3.00	5.23	5.23	5.23	5.23	5.23	5.23
	-0.70	0.00	5.61	5.61	5.61	5.61	5.61	5.29
	2.20	3.00	5.92	5.92	5.92	5.92	5.80	5.29
	4.10	5.00	6.11	6.11	6.11	6.11	5.80	5.29
	6.00	7.00	6.30	6.30	6.30	6.11	5.80	5.29
7.90	9.00	6.49	6.49	6.30	6.11	5.80	5.29	
9.80	11.00	6.68	6.68	6.30	6.11	5.80	5.29	
11.80	13.00	6.93	6.80	6.30	6.11	5.80	5.29	

Ceiling & Floor Type

	13.70	15.00	7.12	6.80	6.30	6.11	5.80	5.29
7.1	-20	-19.8	4.48	4.48	4.48	4.48	4.48	4.48
	-19	-18.8	4.80	4.80	4.80	4.80	4.80	4.80
	-17	-16.7	5.04	5.04	5.04	5.04	5.04	5.04
	-15	-14.7	5.20	5.20	5.20	5.20	5.20	5.20
	-13.00	-12.60	5.36	5.36	5.36	5.36	5.36	5.36
	-11.00	-10.50	5.60	5.60	5.60	5.60	5.60	5.60
	-10.00	-9.50	5.84	5.84	5.84	5.84	5.84	5.84
	-9.10	-8.50	6.00	6.00	6.00	6.00	6.00	6.00
	-7.60	-7.00	6.08	6.08	6.08	6.08	6.08	6.08
	-5.60	-5.00	6.32	6.32	6.32	6.32	6.32	6.32
	-3.70	-3.00	6.64	6.64	6.64	6.64	6.64	6.64
	-0.70	0.00	7.12	7.12	7.12	7.12	7.12	6.72
	2.20	3.00	7.52	7.52	7.52	7.52	7.36	6.72
	4.10	5.00	7.76	7.76	7.76	7.76	7.36	6.72
	6.00	7.00	8.00	8.00	8.00	7.76	7.36	6.72
	7.90	9.00	8.24	8.24	8.00	7.76	7.36	6.72
	9.80	11.00	8.48	8.48	8.00	7.76	7.36	6.72
11.80	13.00	8.80	8.64	8.00	7.76	7.36	6.72	
13.70	15.00	9.04	8.64	8.00	7.76	7.36	6.72	
8.0	-20	-19.8	5.04	5.04	5.04	5.04	5.04	5.04
	-19	-18.8	5.40	5.40	5.40	5.40	5.40	5.40
	-17	-16.7	5.67	5.67	5.67	5.67	5.67	5.67
	-15	-14.7	5.85	5.85	5.85	5.85	5.85	5.85
	-13.00	-12.60	6.03	6.03	6.03	6.03	6.03	6.03
	-11.00	-10.50	6.30	6.30	6.30	6.30	6.30	6.30
	-10.00	-9.50	6.57	6.57	6.57	6.57	6.57	6.57
	-9.10	-8.50	6.75	6.75	6.75	6.75	6.75	6.75
	-7.60	-7.00	6.84	6.84	6.84	6.84	6.84	6.84
	-5.60	-5.00	7.11	7.11	7.11	7.11	7.11	7.11
	-3.70	-3.00	7.47	7.47	7.47	7.47	7.47	7.47
	-0.70	0.00	8.01	8.01	8.01	8.01	8.01	7.56
	2.20	3.00	8.46	8.46	8.46	8.46	8.28	7.56
	4.10	5.00	8.73	8.73	8.73	8.73	8.28	7.56
	6.00	7.00	9.00	9.00	9.00	8.73	8.28	7.56
	7.90	9.00	9.27	9.27	9.00	8.73	8.28	7.56
	9.80	11.00	9.54	9.54	9.00	8.73	8.28	7.56
11.80	13.00	9.90	9.72	9.00	8.73	8.28	7.56	
13.70	15.00	10.17	9.72	9.00	8.73	8.28	7.56	
9.0	-20	-19.8	5.60	5.04	5.60	5.60	5.60	5.60
	-19	-18.8	6.00	5.40	6.00	6.00	6.00	6.00
	-17	-16.7	6.30	6.30	6.30	6.30	6.30	6.30
	-15	-14.7	6.50	6.50	6.50	6.50	6.50	6.50
	-13.00	-12.60	6.70	6.70	6.70	6.70	6.70	6.70
	-11.00	-10.50	7.00	7.00	7.00	7.00	7.00	7.00
	-10.00	-9.50	7.30	7.30	7.30	7.30	7.30	7.30
	-9.10	-8.50	7.50	7.50	7.50	7.50	7.50	7.50
	-7.60	-7.00	7.60	7.60	7.60	7.60	7.60	7.60
	-5.60	-5.00	7.90	7.90	7.90	7.90	7.90	7.90
	-3.70	-3.00	8.30	8.30	8.30	8.30	8.30	8.30
	-0.70	0.00	8.90	8.90	8.90	8.90	8.90	8.40
	2.20	3.00	9.40	9.40	9.40	9.40	9.20	8.40
	4.10	5.00	9.70	9.70	9.70	9.70	9.20	8.40
	6.00	7.00	10.00	10.00	10.00	9.70	9.20	8.40
	7.90	9.00	10.30	10.30	10.00	9.70	9.20	8.40
	9.80	11.00	10.60	10.60	10.00	9.70	9.20	8.40
11.80	13.00	11.00	10.80	10.00	9.70	9.20	8.40	
13.70	15.00	11.30	10.80	10.00	9.70	9.20	8.40	
10.0	-20	-19.8	6.16	6.16	6.16	6.16	6.16	6.16
	-19	-18.8	6.60	6.60	6.60	6.60	6.60	6.60
	-17	-16.7	6.93	6.93	6.93	6.93	6.93	6.93
	-15	-14.7	7.15	7.15	7.15	7.15	7.15	7.15
	-13.00	-12.60	7.37	7.37	7.37	7.37	7.37	7.37
	-11.00	-10.50	7.70	7.70	7.70	7.70	7.70	7.70
	-10.00	-9.50	8.03	8.03	8.03	8.03	8.03	8.03

	-9.10	-8.50	8.25	8.25	8.25	8.25	8.25	8.25
	-7.60	-7.00	8.36	8.36	8.36	8.36	8.36	8.36
	-5.60	-5.00	8.69	8.69	8.69	8.69	8.69	8.69
	-3.70	-3.00	9.13	9.13	9.13	9.13	9.13	9.13
	-0.70	0.00	9.79	9.79	9.79	9.79	9.79	9.24
	2.20	3.00	10.34	10.34	10.34	10.34	10.12	9.24
	4.10	5.00	10.67	10.67	10.67	10.67	10.12	9.24
	6.00	7.00	11.00	11.00	11.00	10.67	10.12	9.24
	7.90	9.00	11.33	11.33	11.00	10.67	10.12	9.24
	9.80	11.00	11.66	11.66	11.00	10.67	10.12	9.24
	11.80	13.00	12.10	11.88	11.00	10.67	10.12	9.24
	13.70	15.00	12.43	11.88	11.00	10.67	10.12	9.24
11.2	-20	-19.8	7.00	7.00	7.00	7.00	7.00	7.00
	-19	-18.8	7.50	7.50	7.50	7.50	7.50	7.50
	-17	-16.7	7.88	7.88	7.88	7.88	7.88	7.88
	-15	-14.7	8.13	8.13	8.13	8.13	8.13	8.13
	-13.00	-12.60	8.38	8.38	8.38	8.38	8.38	8.38
	-11.00	-10.50	8.75	8.75	8.75	8.75	8.75	8.75
	-10.00	-9.50	9.13	9.13	9.13	9.13	9.13	9.13
	-9.10	-8.50	9.38	9.38	9.38	9.38	9.38	9.38
	-7.60	-7.00	9.50	9.50	9.50	9.50	9.50	9.50
	-5.60	-5.00	9.88	9.88	9.88	9.88	9.88	9.88
	-3.70	-3.00	10.38	10.38	10.38	10.38	10.38	10.38
	-0.70	0.00	11.13	11.13	11.13	11.13	11.13	10.50
	2.20	3.00	11.75	11.75	11.75	11.75	11.50	10.50
	4.10	5.00	12.13	12.13	12.13	12.13	11.50	10.50
	6.00	7.00	12.50	12.50	12.50	12.13	11.50	10.50
7.90	9.00	12.88	12.88	12.50	12.13	11.50	10.50	
9.80	11.00	13.25	13.25	12.50	12.13	11.50	10.50	
11.80	13.00	13.75	13.50	12.50	12.13	11.50	10.50	
13.70	15.00	14.13	13.50	12.50	12.13	11.50	10.50	
14.0	-20	-19.8	8.68	8.68	8.68	8.68	8.68	8.68
	-19	-18.8	9.30	9.30	9.30	9.30	9.30	9.30
	-17	-16.7	9.77	9.77	9.77	9.77	9.77	9.77
	-15	-14.7	10.08	10.08	10.08	10.08	10.08	10.08
	-13.0	-12.6	10.4	10.4	10.4	10.4	10.4	10.4
	-11.0	-10.5	10.9	10.9	10.9	10.9	10.9	10.9
	-10.0	-9.5	11.3	11.3	11.3	11.3	11.3	11.3
	-9.1	-8.5	11.6	11.6	11.6	11.6	11.6	11.6
	-7.6	-7.0	11.8	11.8	11.8	11.8	11.8	11.8
	-5.6	-5.0	12.3	12.3	12.3	12.3	12.3	12.3
	-3.7	-3.0	12.9	12.9	12.9	12.9	12.9	12.9
	-0.7	0.0	13.8	13.8	13.8	13.8	13.8	13.0
	2.2	3.0	14.6	14.6	14.6	14.6	14.3	13.0
	4.1	5.0	15.0	15.0	15.0	15.0	14.3	13.0
	6.0	7.0	15.5	15.5	15.5	15.0	14.3	13.0
7.9	9.0	16.0	16.0	15.5	15.0	14.3	13.0	
9.8	11.0	16.4	16.4	15.5	15.0	14.3	13.0	
11.8	13.0	17.1	16.7	15.5	15.0	14.3	13.0	
13.7	15.0	17.5	16.7	15.5	15.0	14.3	13.0	
16.0	-20	-4	10.08	10.08	10.08	10.08	10.08	10.08
	-19	-2.2	10.80	10.80	10.80	10.80	10.80	10.80
	-17	1.4	11.43	11.43	11.43	11.43	11.43	11.43
	-15	5	11.70	11.70	11.70	11.70	11.70	11.70
	-13.0	8.6	12.42	12.42	12.42	12.42	12.42	12.42
	-11.0	12.2	12.60	12.78	12.78	12.78	12.78	12.78
	-10.0	14	13.14	13.14	13.14	13.14	13.14	13.14
	-9.1	15.62	13.50	13.50	13.50	13.50	13.50	13.50
	-7.6	18.32	13.68	13.68	13.68	13.68	13.68	13.68
	-5.6	21.92	14.22	14.22	14.22	14.22	14.22	14.22
	-3.7	25.34	14.94	14.94	14.94	14.94	14.94	14.94
	-0.7	30.74	16.02	16.02	16.02	16.02	16.02	15.12
	2.2	35.96	16.92	16.92	16.92	16.92	16.56	15.12
	4.1	39.38	17.46	17.46	17.46	17.46	16.56	15.12
	6.0	42.8	18.0	18.0	18.0	17.46	16.56	15.12

Ceiling & Floor Type

	7.9	46.22	18.54	18.54	18.0	17.46	16.56	15.12
	9.8	49.64	19.08	19.08	18.0	17.46	16.56	15.12
	11.8	53.24	19.80	19.44	18.0	17.46	16.56	15.12
	13.7	56.66	20.34	19.44	18.0	17.46	16.56	15.12

8. Electrical Characteristics

Model	Indoor Unit				Power Supply		IFM	
	Hz	Voltage	Min.	Max.	MCA	MFA	KW	FLA
TMVFCN036/I4RN1S	50	220-240	198	254	0.21	5	0.025	0.15
TMVFCN045/I4RN1S	50	220-240	198	254	0.64	5	0.055	0.57
TMVFCN056/I4RN1S	50	220-240	198	254	0.64	5	0.055	0.57
TMVFCN071/I4RN1S	50	220-240	198	254	0.64	5	0.055	0.57
TMVFCN080/I4RN1S	50	220-240	198	254	0.8	5	0.08	0.63
TMVFCN090/I4RN1S	50	220-240	198	254	0.8	5	0.08	0.63
TMVFCN112/I4RN1S	50	220-240	198	254	1.05	5	0.059*2	0.39*2
TMVFCN140/I4RN1S	50	220-240	198	254	1.05	5	0.059*2	0.39*2
TMVFCN160/I4RN1S	50	220-240	198	254	1.41	5	0.163*2	0.7*2

Remark:

MCA: Min. Circuit Amps. (A)

MFA: Max. Fuse Amps. (A)

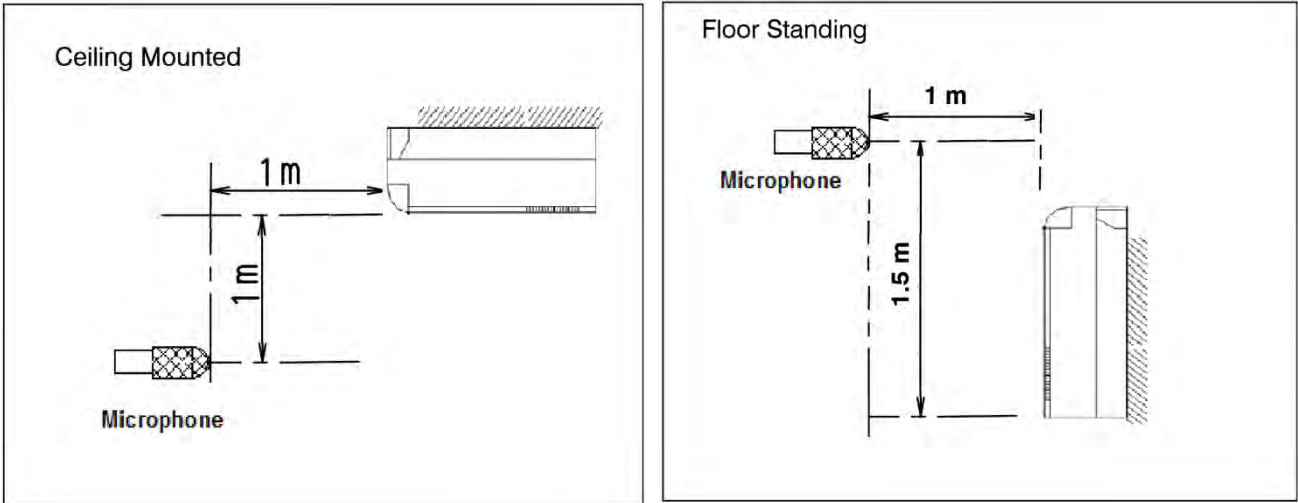
KW: Fan Motor Rated Output (kW)

FLA: Full Load Amps. (A)

IFM: Indoor Fan Motor

9.Sound Levels

9.1 Test condition



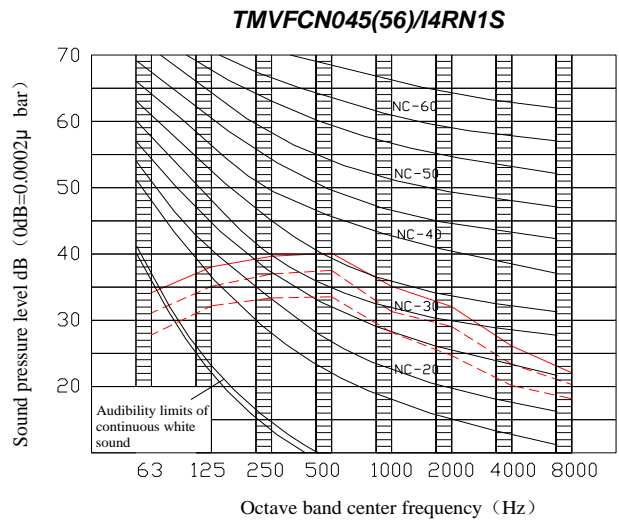
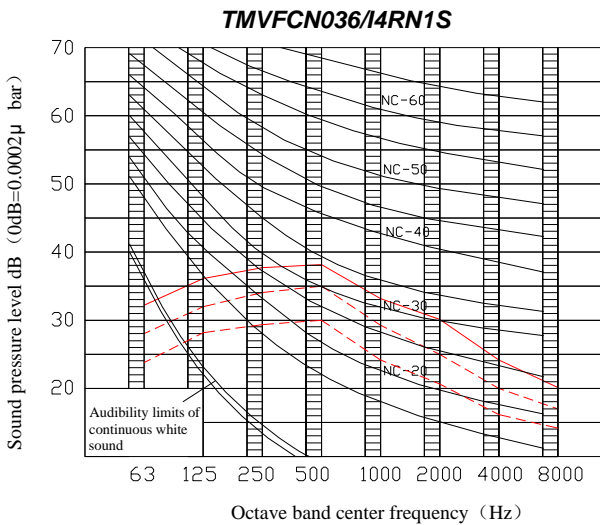
Note:

- 1, during actual operation, these values are normally somewhat higher as a result of ambient conditions.
- 2, Anechoic chamber conversion value, measured at a point 1m in front of the unit at a height of 1.5m

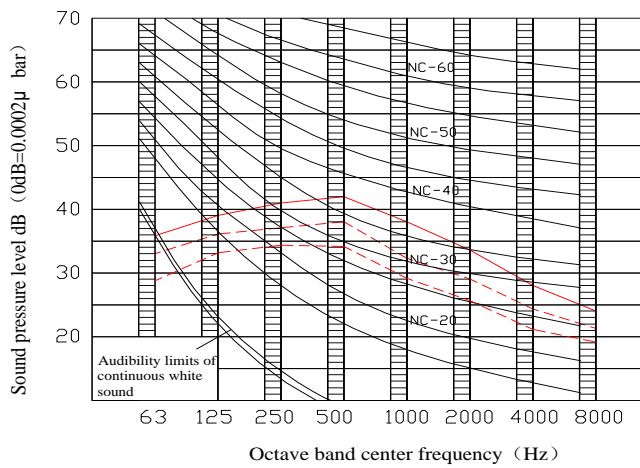
9.2 Test data (Sound Pressure Levels)

Model	Sound level under three speeds of fan (dB(A))		
	H	M	L
TMVFCN036/I4RN1S	40	38	36
TMVFCN045/I4RN1S	43	41	38
TMVFCN056/I4RN1S	43	41	38
TMVFCN071/I4RN1S	43	41	38
TMVFCN080/I4RN1S	45	43	40
TMVFCN090/I4RN1S	45	43	40
TMVFCN112/I4RN1S	47	45	42
TMVFCN140/I4RN1S	47	45	42
TMVFCN160/I4RN1S	52	50	48

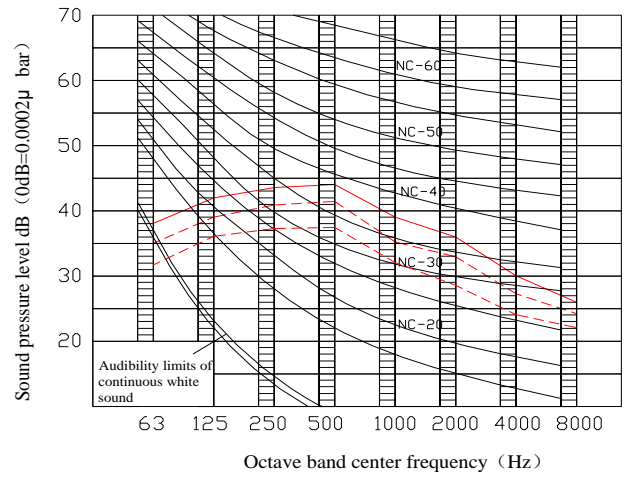
9.3 Octave Band Level



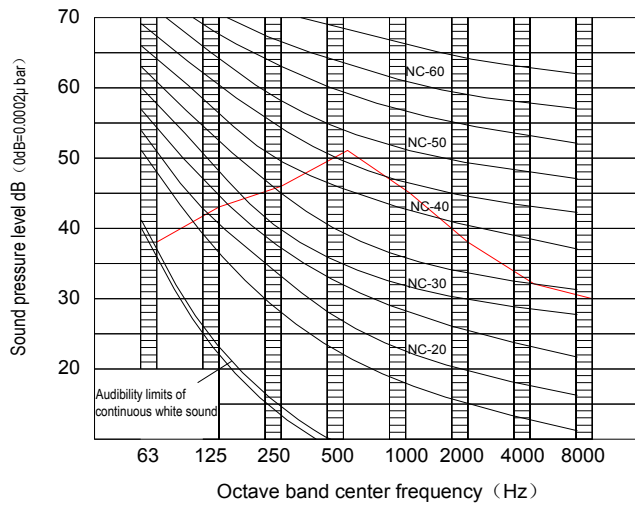
TMVFCN071/I4RN1S



TMVFCN112(140)/I4RN1S











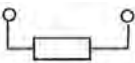


TMVFCN160/I4RN1S



10. Accessories

10.1 Standard accessories

Name	Quantity	Shape	Usage
Installation manual	1	/	/
Hook	2		
Hanging arm	2		
Pipe insulation material	2		Heat insulation
Remote controller RM05	1		/
7# alkaline battery	2		/
Holder for remote controller	1		Hold the remote controller
Remoter controller manual	1		/
Mounting screw(ST2.9 10-C-H)	2		Installation Holder for remote controller
Water outlet joint	1		For drainage
Wrapping tape	1		/
Network matching wire	1		The indoor unit which at the terminal of communication system should connect a impedance between port P and port Q.

10.2 Optional accessories

Name	Model	Code	Usage
Wired remote controller	KJR-10B/DP(T)-E	203355190000	With a standard 5m long cable to connect to display board.
(Follow me) Wired remote controller	KJR-12B/DP(T)-E	203355100010	With an extra Built-in room temp. sensor, all others are same as KJR-10B
(Follow me) Wired remote controller	KJR-12B/DPBG(T)-E	203355100503	With Follow Me function, built-in sensor, and Back ground light.



Air Conditioning Systems

Cooling & Heating

TRUST AIR-CONDITIONING EQUIPMENT CO.

Shiraz office: 8 th floor, Alvand Bldg., Dostan St.,
Moaliabad Ave., SHIRAZ, IRAN., Post code: 71877-14446

Tel.: +98-71-36341070

Fax.: +98-71-36341094

Tehran office: No. 19- koohe nour St.- Motahhari St.-

TEHRAN, IRAN., Post code: 15876-73111

Tel.: +98-21-89389

Fax.: +98-21-88541903

Ahwaz office: No. 309- Kaveh St.- AHWAZ, IRAN., Post code: 61939-47911

Tel.: +98-61-32230647-8 E-mail: info@trustacs.com

Fax.: +98-61-32230647 Web site: <http://www.trustacs.com>

برند برتر در اولین جشنواره بین المللی
برترین نام و نشان های تجاری ایران

