

# TROPICAL MINI VRF SYSTEM



---

TRUST AIR CONDITIONING EQUIPMENT CO.  
Prepared By: Engineering & R & D Department.

1. Specifications.....	2
2. Dimensions.....	3
3. Piping diagram .....	4
4. Wiring diagram.....	5
5. Capacity tables.....	6
6. Electric characteristics .....	18
7. Sound levels.....	18

**توجه:**

**شرکت تراست حق تغییر مشخصات دستگاه ها را در جهت بهبود و ارتقای کیفیت برای خود محفوظ می دارد.**

## 1. Specifications

Model (CC01)			TMVMiN105HT3i <sup>3.42</sup>	TMVMiN140HT3i <sup>3.41</sup>
Power Supply		V/Ph/Hz	380-415/3/50	380-415/3/50
Capacity	Cooling*	RT	3.0	4.0
		kW	10.5	14.0
		Btu/h	35,826	47,768
		kcal/h	9,030	12,040
	Cooling**	RT	2.7	3.6
		kW	9.6	12.7
		Btu/h	32,755	43,469
		kcal/h	8,256	10,956
	Heating	RT	3.4	4.5
		kW	12.0	16.0
		Btu/h	40,944	54,592
		kcal/h	10,320	13,760
Power Input	Cooling*	kW	3.07	4.10
	Cooling**	kW	3.35	4.47
	Heating	kW	3.48	4.59
EER*			3.42	3.41
EER**			2.87	2.85
COP			3.45	3.49
Connectable Indoor Unit	Total Capacity	%	45-100	45-100
	Max. Quantity		6	8
Sound Pressure Level		dB(A)	52	52
Pipe Connections	Liquid Pipes	mm(inch)	Φ9.5(3/8)	Φ9.5(3/8)
	Gas Pipes	mm(inch)	Φ15.9(5/8)	Φ15.9(5/8)
Fan	Type		Axial propeller	Axial propeller
	Quantity		2	2
	Air Flow Rate	m <sup>3</sup> /h	7,600	7,600
		CFM	4,471	4,471
Motor output	W	100	100	
DC Inverter Compressor	Quantity		1	
	Capacity	W	9,880	13,980
	Oil Type		FV50S	FV50S
	Oil Charge	ml	870	1,400
Refrigerant	Type		R410A	R410A
	Factory Charging	kg(lbs)	3.3(7.3)	3.9(8.6)
Design Pressure (Hi/Lo)		MPa	4.4/2.6	4.4/2.6
Net Dimension (W×H×D)	mm		900×1327×320	900×1327×320
	inch		35.4×52.2×12.6	35.4×52.2×12.6
Packing (W×H×D)	mm		1030×1456×435	1030×1456×435
	inch		40.6 x 57.3 x 17.1	40.6 x 57.3 x 17.1
Net Weight		kg(lbs)	99(218)	103(227)
Gross Weight		kg(lbs)	110(242)	113(249)
Operating Temp. Range	Cooling	°C	10~54	10~54
	Heating	°C	-15~27	-15~27

### Notes:

Capacities are based on the following conditions:

Cooling\*: Indoor temperature 27°C (80.6°F) DB/19°C (66.2°F) WB; Outdoor temperature 35°C (95°F) DB/24°C (75.2°F) WB.

Cooling\*\*: Indoor temperature 27°C (80.6°F) DB/19°C (66.2°F) WB; Outdoor temperature 46°C (114.8°F) DB/24°C (75.2°F) WB.

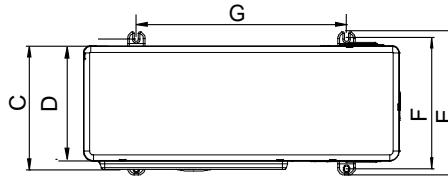
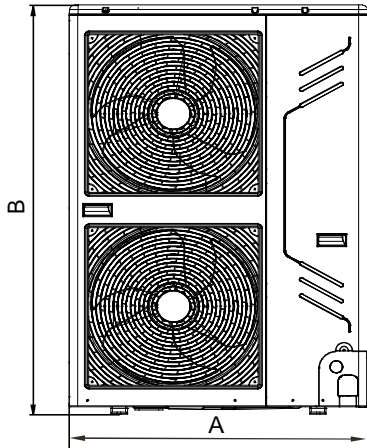
Heating: Indoor temperature 20°C (68°F) DB/15°C (59°F) WB; Outdoor temperature 7°C (44.6°F) DB/6°C (42.8°F) WB.

Piping length: Interconnecting piping length 7.5m, level difference of zero.

Sound values are measured in a semi-anechoic room, at a position 1m in front of the unit and 1.2m above the floor.

## 2. Dimensions

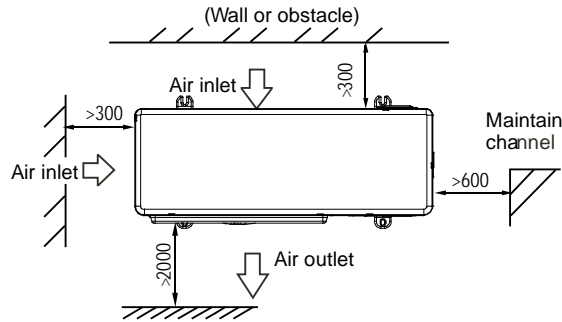
### Body dimensions



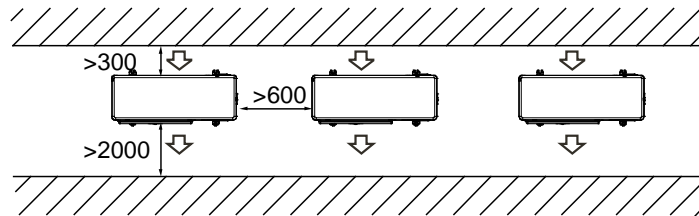
Size	A	B	C	D	E	F	G
Model (10.5/14kW)	900	1327	348	320	400	360	600

### Installation dimensions

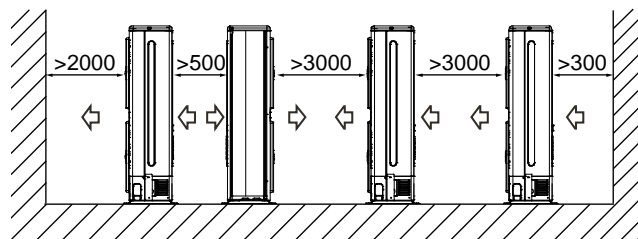
#### Single unit installation



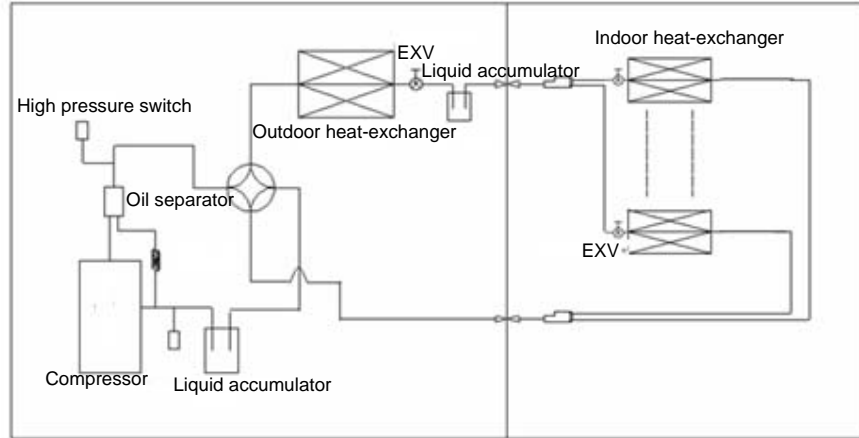
#### Parallel connect two units or above



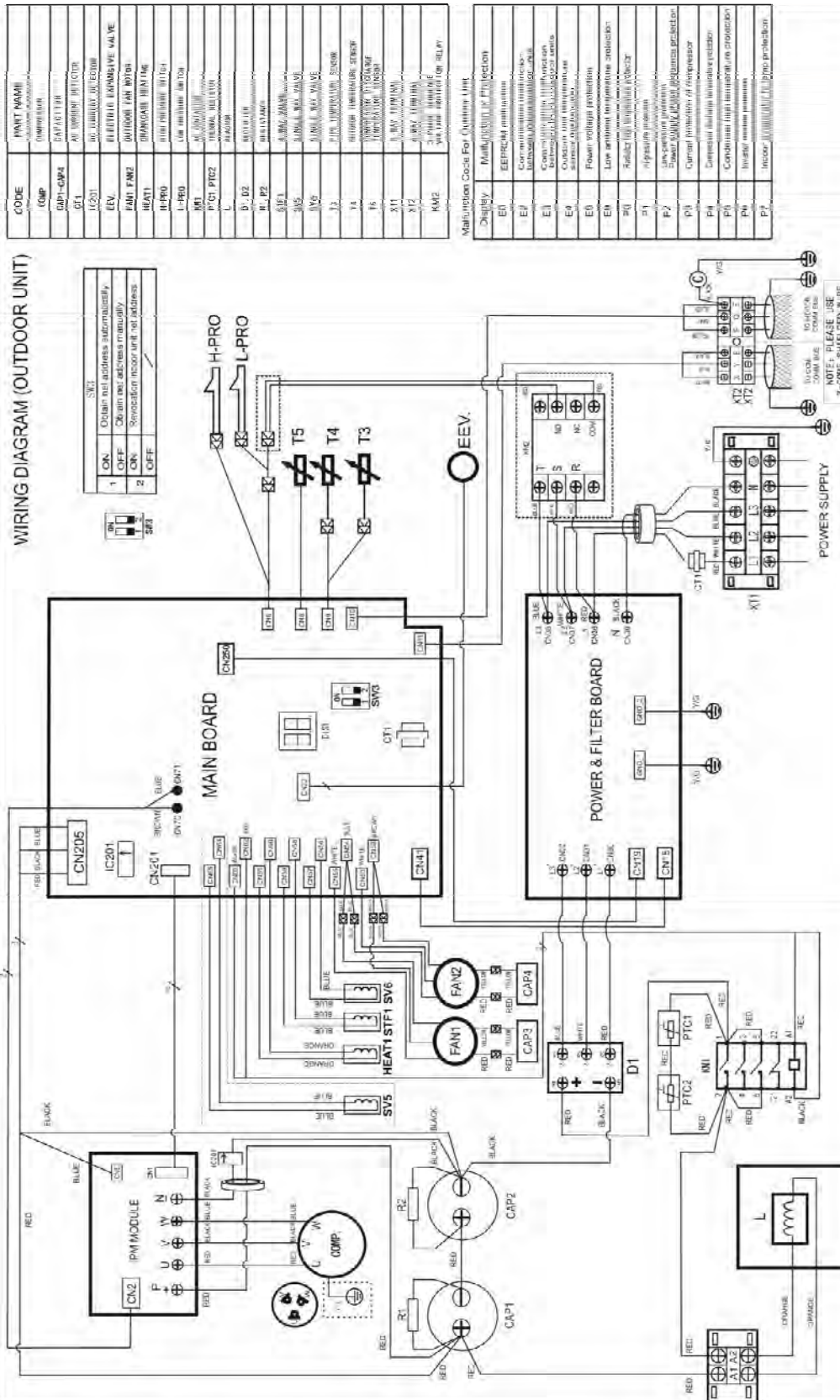
#### Parallel connect the front with rear sides



### 3. Piping diagram



# 4. Wiring diagram



### 5. Capacity tables

Cooling capacity table (TMVMiN105HT3i<sup>3,42</sup>)

Combination (%) (Capacity index)	Outdoor temperature (°C DB)	Indoor temperature(°C)													
		DB:20.8,WB:14		DB:23.3,WB:16		DB:25.8,WB:18		DB:27,WB:19		DB:28.2,WB:20		DB:30.7,WB:22		DB:32,WB:24	
		TC	PI	TC	PI	TC	PI	TC	PI	TC	PI	TC	PI	TC	PI
130%	10	9.33	1.27	11.17	1.54	12.61	1.78	13.21	1.79	13.45	1.81	13.66	1.81	14.81	1.83
	12	9.33	1.29	11.17	1.57	12.61	1.81	13.10	1.83	13.33	1.84	13.53	1.85	14.68	1.86
	14	9.33	1.32	11.17	1.60	12.61	1.85	12.98	1.86	13.21	1.87	13.29	1.88	14.54	1.90
	16	9.33	1.34	11.17	1.63	12.50	1.88	12.75	1.89	12.97	1.91	13.17	1.91	14.41	1.93
	18	9.33	1.36	11.17	1.66	12.27	1.91	12.64	1.93	12.86	1.94	13.05	1.95	14.28	1.97
	19	9.33	1.39	11.17	1.69	12.16	1.94	12.52	1.96	12.74	1.97	12.93	1.98	14.15	2.00
	21	9.33	1.49	11.17	1.81	12.05	2.08	12.40	2.10	12.62	2.12	12.81	2.12	14.02	2.14
	23	9.33	1.59	11.17	1.94	11.94	2.23	12.29	2.25	12.50	2.27	12.69	2.28	13.89	2.30
	25	9.33	1.71	11.17	2.07	11.83	2.39	12.17	2.41	12.38	2.43	12.57	2.44	13.76	2.46
	27	9.33	1.82	11.17	2.21	11.72	2.55	12.06	2.58	12.27	2.59	12.45	2.60	13.63	2.63
	29	9.33	1.95	11.08	2.36	11.60	2.73	11.94	2.75	12.15	2.77	12.33	2.78	13.50	2.80
	31	9.33	2.08	11.05	2.52	11.49	2.91	11.82	2.93	12.03	2.95	12.21	2.96	13.37	2.99
	33	9.33	2.21	11.05	2.69	11.38	3.10	11.71	3.12	11.91	3.15	12.08	3.16	13.23	3.19
	35	9.33	2.35	10.94	2.86	11.16	3.30	11.59	3.32	11.79	3.35	12.08	3.36	13.10	3.39
	37	9.33	2.50	10.94	3.04	11.16	3.51	11.36	3.53	11.56	3.56	11.24	3.57	12.84	3.60
	39	9.33	2.51	10.94	3.05	10.93	3.52	11.28	3.55	11.44	3.57	11.12	3.59	12.71	3.62
	41	9.33	2.52	10.72	3.07	10.93	3.54	11.24	3.57	11.32	3.59	11.00	3.60	12.58	3.64
	43	8.86	2.54	10.72	3.08	10.60	3.55	11.13	3.58	11.21	3.61	11.48	3.62	12.45	3.65
	46	8.86	2.55	10.39	3.09	10.60	3.57	10.68	3.60	11.09	3.62	11.36	3.64	12.32	3.67
	48	8.86	2.56	10.39	3.11	10.04	3.59	10.50	3.62	10.73	3.64	11.24	3.66	12.19	3.69
50	8.40	2.57	9.84	3.12	9.71	3.60	10.34	3.63	10.62	3.66	11.12	3.67	12.05	3.70	
52	7.98	2.58	9.52	3.14	9.48	3.62	9.90	3.65	10.50	3.67	10.88	3.69	11.92	3.72	
120%	10	9.21	1.24	10.78	1.53	11.99	1.77	12.80	1.78	13.26	1.79	13.46	1.80	14.60	1.82
	12	9.21	1.27	10.78	1.56	11.99	1.80	12.80	1.81	13.14	1.83	13.35	1.83	14.47	1.85
	14	9.21	1.29	10.78	1.59	11.99	1.83	12.80	1.85	13.03	1.86	13.23	1.87	14.34	1.88
	16	9.21	1.31	10.78	1.62	11.99	1.86	12.80	1.88	12.91	1.89	13.11	1.90	14.21	1.92
	18	9.21	1.33	10.78	1.64	11.99	1.90	12.80	1.91	12.79	1.93	12.99	1.93	14.08	1.95
	19	9.21	1.36	10.78	1.67	11.99	1.93	12.69	1.95	12.68	1.96	12.87	1.97	13.95	1.98
	21	9.21	1.46	10.78	1.79	11.99	2.07	12.57	2.09	12.44	2.10	12.75	2.11	13.82	2.13
	23	9.21	1.56	10.78	1.92	11.77	2.22	12.46	2.23	12.33	2.25	12.63	2.26	13.69	2.28
	25	9.21	1.67	10.78	2.06	11.66	2.37	12.34	2.39	12.21	2.41	12.51	2.42	13.57	2.44
	27	9.21	1.78	10.78	2.20	11.55	2.53	12.23	2.56	12.09	2.57	12.39	2.58	13.44	2.61
	29	9.21	1.90	10.78	2.35	11.44	2.71	12.00	2.73	11.98	2.75	12.27	2.76	13.31	2.78
	31	9.21	2.03	10.78	2.50	11.22	2.89	11.66	2.91	11.86	2.93	12.15	2.94	13.18	2.97
	33	9.21	2.16	10.78	2.67	11.11	3.07	11.54	3.10	11.75	3.12	12.03	3.13	13.05	3.16
	35	9.21	2.30	10.78	2.84	11.00	3.27	11.43	3.30	11.63	3.32	11.92	3.33	12.92	3.36
	37	9.21	2.45	10.78	3.02	10.89	3.48	11.20	3.51	11.40	3.53	11.68	3.55	12.66	3.58
	39	9.21	2.46	10.78	3.03	10.78	3.49	11.09	3.52	11.28	3.55	11.56	3.56	12.53	3.59
	41	9.21	2.47	10.24	3.04	10.67	3.51	10.97	3.54	11.16	3.56	11.44	3.58	12.40	3.61
	43	9.21	2.48	10.14	3.06	10.56	3.53	10.86	3.55	11.05	3.58	11.32	3.59	12.27	3.63
	46	9.21	2.49	10.03	3.07	10.45	3.54	10.74	3.57	10.71	3.60	11.20	3.61	12.14	3.64
	48	8.94	2.50	9.92	3.08	10.34	3.56	10.52	3.59	10.82	3.61	11.08	3.63	12.02	3.66
50	8.84	2.52	9.81	3.10	10.23	3.57	10.40	3.60	10.70	3.63	10.96	3.64	11.89	3.68	
52	8.75	2.53	9.71	3.11	10.12	3.59	10.29	3.62	10.47	3.65	10.84	3.66	11.76	3.69	
110%	10	8.97	1.23	10.51	1.50	10.72	1.73	11.92	1.74	12.81	1.76	13.12	1.76	14.23	1.78
	12	8.97	1.26	10.51	1.53	10.72	1.76	11.92	1.78	12.69	1.79	13.00	1.79	14.10	1.81
	14	8.97	1.28	10.51	1.55	10.72	1.79	11.92	1.81	12.58	1.82	12.89	1.83	13.97	1.84
	16	8.97	1.30	10.51	1.58	10.72	1.83	11.92	1.84	12.47	1.85	12.77	1.86	13.85	1.88
	18	8.97	1.33	10.51	1.61	10.72	1.86	11.92	1.87	12.35	1.89	12.66	1.89	13.72	1.91
	19	8.97	1.35	10.51	1.64	10.72	1.89	11.92	1.90	12.24	1.92	12.54	1.93	13.60	1.94
	21	8.97	1.45	10.51	1.76	10.72	2.03	11.92	2.04	12.13	2.06	12.42	2.06	13.47	2.08
	23	8.97	1.55	10.51	1.88	10.72	2.17	11.81	2.19	12.01	2.20	12.31	2.21	13.34	2.23
	25	8.97	1.66	10.51	2.01	10.72	2.32	11.69	2.34	11.90	2.36	12.19	2.37	13.22	2.39
	27	8.97	1.77	10.51	2.15	10.72	2.48	11.58	2.50	11.79	2.52	12.08	2.53	13.09	2.55
	29	8.97	1.89	10.51	2.30	10.72	2.65	11.47	2.67	11.67	2.69	11.96	2.70	12.97	2.72
	31	8.97	2.02	10.51	2.45	10.72	2.83	11.36	2.85	11.56	2.87	11.84	2.88	12.84	2.91
	33	8.97	2.15	10.51	2.61	10.72	3.01	11.25	3.03	11.45	3.06	11.73	3.07	12.71	3.09
	35	8.97	2.29	10.51	2.78	10.72	3.20	11.14	3.23	11.33	3.25	11.61	3.26	12.59	3.29
	37	8.97	2.43	10.51	2.95	10.72	3.41	10.91	3.43	11.11	3.46	11.38	3.47	12.34	3.50
	39	8.97	2.44	10.51	2.97	10.72	3.42	10.80	3.45	10.99	3.47	11.26	3.49	12.21	3.52
	41	8.97	2.45	10.51	2.98	10.72	3.44	10.69	3.46	10.88	3.49	11.15	3.50	12.09	3.53
	43	8.97	2.46	10.51	2.99	10.72	3.45	10.58	3.48	10.77	3.50	11.03	3.52	11.96	3.55
	46	8.97	2.47	10.51	3.01	10.72	3.47	10.47	3.50	10.65	3.52	10.91	3.53	11.83	3.57
	48	8.52	2.49	10.19	3.02	10.51	3.48	10.36	3.51	10.54	3.54	10.80	3.55	11.71	3.58
50	8.43	2.50	10.09	3.03	10.40	3.50	10.25	3.53	10.43	3.55	10.68	3.57	11.58	3.60	
52	8.34	2.51	9.98	3.05	10.29	3.52	10.13	3.54	10.31	3.57	10.57	3.58	11.46	3.62	

Cooling capacity table (TMVMiN105HT3I<sup>3,42</sup>)

Combination (%) (Capacity index)	Outdoor temperature (°C DB)	Indoor temperature(°C)													
		DB:20.8,WB:14		DB:23.3,WB:16		DB:25.8,WB:18		DB:27,WB:19		DB:28.2,WB:20		DB:30.7,WB:22		DB:32,WB:24	
		TC	PI	TC	PI	TC	PI	TC	PI	TC	PI	TC	PI	TC	PI
		kW	kW	kW	kW	kW	kW	kW	kW	kW	kW	kW	kW	kW	kW
100%	10	8.45	1.17	9.91	1.43	10.11	1.64	10.50	1.66	11.43	1.67	12.26	1.68	13.41	1.69
	12	8.45	1.20	9.91	1.45	10.11	1.67	10.50	1.69	11.43	1.70	12.26	1.71	13.29	1.72
	14	8.45	1.22	9.91	1.48	10.11	1.71	10.50	1.72	11.43	1.73	12.15	1.74	13.17	1.75
	16	8.45	1.24	9.91	1.50	10.11	1.74	10.50	1.75	11.43	1.76	12.04	1.77	13.06	1.78
	18	8.45	1.26	9.91	1.53	10.11	1.77	10.50	1.78	11.43	1.79	11.93	1.80	12.94	1.82
	19	8.45	1.28	9.91	1.56	10.11	1.80	10.50	1.81	11.43	1.82	11.82	1.83	12.82	1.85
	21	8.45	1.37	9.91	1.67	10.11	1.93	10.50	1.94	11.43	1.96	11.71	1.96	12.70	1.98
	23	8.45	1.47	9.91	1.79	10.11	2.06	10.50	2.08	11.43	2.09	11.60	2.10	12.58	2.12
	25	8.45	1.58	9.91	1.91	10.11	2.21	10.50	2.23	11.32	2.24	11.49	2.25	12.46	2.27
	27	8.45	1.68	9.91	2.05	10.11	2.36	10.50	2.38	11.22	2.40	11.38	2.41	12.34	2.43
	29	8.45	1.80	9.91	2.18	10.11	2.52	10.50	2.54	11.11	2.56	11.27	2.57	12.22	2.59
	31	8.45	1.92	9.91	2.33	10.11	2.69	10.50	2.71	11.00	2.73	11.17	2.74	12.11	2.76
	33	8.45	2.04	9.91	2.48	10.11	2.86	10.50	2.89	10.79	2.91	11.06	2.92	11.99	2.94
	35	8.45	2.17	9.91	2.64	10.11	3.05	10.50	3.07	10.68	3.09	10.95	3.10	11.87	3.13
	37	8.45	2.31	9.91	2.81	10.11	3.24	10.29	3.27	10.47	3.29	10.73	3.30	11.63	3.33
	39	8.45	2.32	9.91	2.82	10.11	3.25	10.19	3.28	10.36	3.30	10.62	3.32	11.51	3.34
	41	8.45	2.33	9.91	2.83	10.11	3.27	10.08	3.29	10.26	3.32	10.51	3.33	11.39	3.36
	43	8.45	2.34	9.91	2.85	10.11	3.28	9.98	3.31	10.15	3.33	10.40	3.35	11.28	3.38
	46	8.45	2.35	9.71	2.86	10.11	3.30	9.6	3.35	10.04	3.35	10.29	3.36	11.16	3.39
	48	8.45	2.36	9.61	2.87	9.80	3.31	9.57	3.37	9.94	3.36	10.18	3.38	11.04	3.41
50	8.45	2.38	9.51	2.89	9.70	3.33	9.56	3.37	9.83	3.38	10.07	3.39	10.92	3.42	
52	8.45	2.39	9.41	2.90	9.60	3.34	9.51	3.38	9.72	3.39	9.96	3.41	10.80	3.44	
90%	10	7.61	1.01	8.92	1.23	9.10	1.42	9.45	1.43	9.62	1.44	10.54	1.45	11.43	1.46
	12	7.61	1.03	8.92	1.26	9.10	1.45	9.45	1.46	9.62	1.47	10.54	1.48	11.43	1.49
	14	7.61	1.05	8.92	1.28	9.10	1.47	9.45	1.49	9.62	1.50	10.54	1.50	11.43	1.52
	16	7.61	1.07	8.92	1.30	9.10	1.50	9.45	1.51	9.62	1.52	10.54	1.53	11.43	1.54
	18	7.61	1.09	8.92	1.32	9.10	1.53	9.45	1.54	9.62	1.55	10.54	1.56	11.32	1.57
	19	7.61	1.11	8.92	1.35	9.10	1.55	9.45	1.57	9.62	1.58	10.54	1.58	11.22	1.60
	21	7.61	1.19	8.92	1.44	9.10	1.67	9.45	1.68	9.62	1.69	10.54	1.70	11.11	1.71
	23	7.61	1.27	8.92	1.55	9.10	1.78	9.45	1.80	9.62	1.81	10.54	1.82	11.00	1.83
	25	7.61	1.36	8.92	1.65	9.10	1.91	9.45	1.92	9.62	1.94	10.44	1.95	10.90	1.96
	27	7.61	1.46	8.92	1.77	9.10	2.04	9.45	2.06	9.62	2.07	10.34	2.08	10.90	2.10
	29	7.61	1.55	8.92	1.89	9.10	2.18	9.45	2.20	9.62	2.21	10.25	2.22	10.90	2.24
	31	7.61	1.66	8.92	2.01	9.10	2.32	9.45	2.34	9.62	2.36	10.15	2.37	10.79	2.39
	33	7.61	1.77	8.92	2.15	9.10	2.47	9.45	2.49	9.62	2.51	9.95	2.52	10.79	2.54
	35	7.61	1.88	8.92	2.28	9.10	2.63	9.45	2.65	9.62	2.67	9.85	2.68	10.68	2.71
	37	7.61	2.00	8.92	2.43	9.10	2.80	9.45	2.82	9.62	2.84	9.65	2.85	10.47	2.88
	39	7.61	2.01	8.92	2.44	9.10	2.81	9.45	2.84	9.62	2.85	9.66	2.87	10.36	2.89
	41	7.61	2.02	8.92	2.45	9.10	2.82	9.45	2.85	9.62	2.87	9.46	2.88	10.25	2.90
	43	7.61	2.03	8.92	2.46	9.10	2.84	9.45	2.86	9.62	2.88	9.46	2.89	10.25	2.92
	46	7.61	2.04	8.92	2.47	8.91	2.85	9.45	2.87	9.62	2.89	9.46	2.91	10.25	2.93
	48	7.61	2.04	8.92	2.48	8.82	2.86	9.17	2.89	9.33	2.91	9.46	2.92	10.25	2.95
50	7.61	2.05	8.92	2.49	8.73	2.88	9.07	2.90	9.23	2.92	9.36	2.93	10.15	2.96	
52	7.61	2.06	8.92	2.51	8.64	2.89	8.98	2.91	9.13	2.93	9.36	2.95	10.15	2.97	
80%	10	6.76	0.87	7.93	1.05	8.09	1.21	8.40	1.22	8.55	1.23	8.76	1.24	9.49	1.25
	12	6.76	0.88	7.93	1.07	8.09	1.24	8.40	1.25	8.55	1.26	8.76	1.26	9.49	1.27
	14	6.76	0.90	7.93	1.09	8.09	1.26	8.40	1.27	8.55	1.28	8.76	1.28	9.49	1.29
	16	6.76	0.91	7.93	1.11	8.09	1.28	8.40	1.29	8.55	1.30	8.76	1.31	9.49	1.32
	18	6.76	0.93	7.93	1.13	8.09	1.30	8.40	1.31	8.55	1.32	8.76	1.33	9.49	1.34
	19	6.76	0.95	7.93	1.15	8.09	1.33	8.40	1.34	8.55	1.35	8.76	1.35	9.49	1.36
	21	6.76	1.02	7.93	1.23	8.09	1.42	8.40	1.43	8.55	1.44	8.76	1.45	9.49	1.46
	23	6.76	1.09	7.93	1.32	8.09	1.52	8.40	1.54	8.55	1.55	8.76	1.55	9.49	1.57
	25	6.76	1.16	7.93	1.41	8.09	1.63	8.40	1.64	8.55	1.66	8.76	1.66	9.49	1.68
	27	6.76	1.24	7.93	1.51	8.09	1.74	8.40	1.76	8.55	1.77	8.76	1.78	9.49	1.79
	29	6.76	1.33	7.93	1.61	8.09	1.86	8.40	1.88	8.55	1.89	8.76	1.90	9.49	1.91
	31	6.76	1.42	7.93	1.72	8.09	1.98	8.40	2.00	8.55	2.01	8.76	2.02	9.49	2.04
	33	6.76	1.51	7.93	1.83	8.09	2.11	8.40	2.13	8.55	2.15	8.76	2.15	9.49	2.17
	35	6.76	1.61	7.93	1.95	8.09	2.25	8.40	2.27	8.55	2.28	8.76	2.29	9.49	2.31
	37	6.76	1.71	7.93	2.07	8.09	2.39	8.40	2.41	8.55	2.43	8.76	2.44	9.31	2.46
	39	6.76	1.71	7.93	2.08	8.09	2.40	8.40	2.42	8.55	2.44	8.76	2.45	9.21	2.47
	41	6.76	1.72	7.93	2.09	8.09	2.41	8.40	2.43	8.55	2.45	8.76	2.46	9.12	2.48
	43	6.76	1.73	7.93	2.10	8.09	2.42	8.40	2.44	8.55	2.46	8.76	2.47	9.12	2.49
	46	6.76	1.74	7.93	2.11	8.09	2.44	8.40	2.46	8.55	2.47	8.76	2.48	9.12	2.50
	48	6.76	1.75	7.93	2.12	8.09	2.45	8.40	2.47	8.55	2.48	8.76	2.49	9.12	2.52
50	6.76	1.75	7.93	2.13	8.09	2.46	8.40	2.48	8.55	2.50	8.76	2.51	9.02	2.53	
52	6.76	1.76	7.93	2.14	8.09	2.47	8.40	2.49	8.55	2.51	8.76	2.52	9.02	2.54	



Cooling capacity table (TMV/Min105HT3)3.42

Combination (%) (Capacity index)	Outdoor temperature (°C DB)	Indoor temperature(°C)													
		DB:20.8,WB:14		DB:23.3,WB:16		DB:25.8,WB:18		DB:27,WB:19		DB:28.2,WB:20		DB:30.7,WB:22		DB:32,WB:24	
		TC kW	PI kW	TC kW	PI kW	TC kW	PI kW	TC kW	PI kW	TC kW	PI kW	TC kW	PI kW	TC kW	PI kW
70%	10	5.92	0.73	6.93	0.89	7.07	1.02	7.35	1.03	7.48	1.04	7.66	1.04	8.31	1.05
	12	5.92	0.74	6.93	0.90	7.07	1.04	7.35	1.05	7.48	1.06	7.66	1.06	8.31	1.07
	14	5.92	0.76	6.93	0.92	7.07	1.06	7.35	1.07	7.48	1.08	7.66	1.08	8.31	1.09
	16	5.92	0.77	6.93	0.94	7.07	1.08	7.35	1.09	7.48	1.10	7.66	1.10	8.31	1.11
	18	5.92	0.78	6.93	0.95	7.07	1.10	7.35	1.11	7.48	1.12	7.66	1.12	8.31	1.13
	19	5.92	0.80	6.93	0.97	7.07	1.12	7.35	1.13	7.48	1.13	7.66	1.14	8.31	1.15
	21	5.92	0.85	6.93	1.04	7.07	1.20	7.35	1.21	7.48	1.22	7.66	1.22	8.31	1.23
	23	5.92	0.92	6.93	1.11	7.07	1.28	7.35	1.29	7.48	1.30	7.66	1.31	8.31	1.32
	25	5.92	0.98	6.93	1.19	7.07	1.37	7.35	1.38	7.48	1.39	7.66	1.40	8.31	1.41
	27	5.92	1.05	6.93	1.27	7.07	1.47	7.35	1.48	7.48	1.49	7.66	1.50	8.31	1.51
	29	5.92	1.12	6.93	1.36	7.07	1.57	7.35	1.58	7.48	1.59	7.66	1.60	8.31	1.61
	31	5.92	1.19	6.93	1.45	7.07	1.67	7.35	1.68	7.48	1.70	7.66	1.70	8.31	1.72
	33	5.92	1.27	6.93	1.54	7.07	1.78	7.35	1.79	7.48	1.81	7.66	1.81	8.31	1.83
	35	5.92	1.35	6.93	1.64	7.07	1.89	7.35	1.91	7.48	1.92	7.66	1.93	8.31	1.95
	37	5.92	1.44	6.93	1.75	7.07	2.01	7.35	2.03	7.48	2.04	7.66	2.05	8.31	2.07
	39	5.92	1.44	6.93	1.75	7.07	2.02	7.35	2.04	7.48	2.05	7.66	2.06	8.31	2.08
	41	5.92	1.45	6.93	1.76	7.07	2.03	7.35	2.05	7.48	2.06	7.66	2.07	8.31	2.09
43	5.92	1.46	6.93	1.77	7.07	2.04	7.35	2.06	7.48	2.07	7.66	2.08	8.31	2.10	
46	5.92	1.46	6.93	1.78	7.07	2.05	7.35	2.07	7.48	2.08	7.66	2.09	8.31	2.11	
48	5.92	1.47	6.93	1.79	7.07	2.06	7.35	2.08	7.48	2.09	7.66	2.10	8.31	2.12	
50	5.92	1.48	6.93	1.79	7.07	2.07	7.35	2.09	7.48	2.10	7.66	2.11	8.31	2.13	
52	5.92	1.48	6.93	1.80	7.07	2.08	7.35	2.10	7.48	2.11	7.66	2.12	8.31	2.14	
60%	10	5.07	0.60	5.94	0.73	6.06	0.85	6.30	0.85	6.41	0.86	6.57	0.86	7.12	0.87
	12	5.07	0.62	5.94	0.75	6.06	0.86	6.30	0.87	6.41	0.88	6.57	0.88	7.12	0.89
	14	5.07	0.63	5.94	0.76	6.06	0.88	6.30	0.88	6.41	0.89	6.57	0.89	7.12	0.90
	16	5.07	0.64	5.94	0.77	6.06	0.89	6.30	0.90	6.41	0.91	6.57	0.91	7.12	0.92
	18	5.07	0.65	5.94	0.79	6.06	0.91	6.30	0.92	6.41	0.92	6.57	0.93	7.12	0.93
	19	5.07	0.66	5.94	0.80	6.06	0.92	6.30	0.93	6.41	0.94	6.57	0.94	7.12	0.95
	21	5.07	0.71	5.94	0.86	6.06	0.99	6.30	1.00	6.41	1.01	6.57	1.01	7.12	1.02
	23	5.07	0.76	5.94	0.92	6.06	1.06	6.30	1.07	6.41	1.08	6.57	1.08	7.12	1.09
	25	5.07	0.81	5.94	0.99	6.06	1.14	6.30	1.15	6.41	1.15	6.57	1.16	7.12	1.17
	27	5.07	0.87	5.94	1.05	6.06	1.21	6.30	1.22	6.41	1.23	6.57	1.24	7.12	1.25
	29	5.07	0.93	5.94	1.12	6.06	1.30	6.30	1.31	6.41	1.32	6.57	1.32	7.12	1.33
	31	5.07	0.99	5.94	1.20	6.06	1.38	6.30	1.39	6.41	1.40	6.57	1.41	7.12	1.42
	33	5.07	1.05	5.94	1.28	6.06	1.47	6.30	1.49	6.41	1.50	6.57	1.50	7.12	1.52
	35	5.07	1.12	5.94	1.36	6.06	1.57	6.30	1.58	6.41	1.59	6.57	1.60	7.12	1.61
	37	5.07	1.19	5.94	1.45	6.06	1.67	6.30	1.68	6.41	1.69	6.57	1.70	7.12	1.71
	39	5.07	1.20	5.94	1.45	6.06	1.67	6.30	1.69	6.41	1.70	6.57	1.71	7.12	1.72
	41	5.07	1.20	5.94	1.46	6.06	1.68	6.30	1.70	6.41	1.71	6.57	1.71	7.12	1.73
43	5.07	1.21	5.94	1.46	6.06	1.69	6.30	1.70	6.41	1.72	6.57	1.72	7.12	1.74	
46	5.07	1.21	5.94	1.47	6.06	1.70	6.30	1.71	6.41	1.72	6.57	1.73	7.12	1.75	
48	5.07	1.22	5.94	1.48	6.06	1.71	6.30	1.72	6.41	1.73	6.57	1.74	7.12	1.75	
50	5.07	1.22	5.94	1.49	6.06	1.71	6.30	1.73	6.41	1.74	6.57	1.75	7.12	1.76	
52	5.07	1.23	5.94	1.49	6.06	1.72	6.30	1.73	6.41	1.75	6.57	1.75	7.12	1.77	
50%	10	4.23	0.49	4.95	0.59	5.05	0.69	5.25	0.69	5.34	0.70	5.47	0.70	5.93	0.71
	12	4.23	0.50	4.95	0.61	5.05	0.70	5.25	0.70	5.34	0.71	5.47	0.71	5.93	0.72
	14	4.23	0.51	4.95	0.62	5.05	0.71	5.25	0.72	5.34	0.72	5.47	0.72	5.93	0.73
	16	4.23	0.52	4.95	0.63	5.05	0.72	5.25	0.73	5.34	0.73	5.47	0.74	5.93	0.74
	18	4.23	0.53	4.95	0.64	5.05	0.74	5.25	0.74	5.34	0.75	5.47	0.75	5.93	0.76
	19	4.23	0.53	4.95	0.65	5.05	0.75	5.25	0.76	5.34	0.76	5.47	0.76	5.93	0.77
	21	4.23	0.57	4.95	0.70	5.05	0.80	5.25	0.81	5.34	0.82	5.47	0.82	5.93	0.83
	23	4.23	0.61	4.95	0.75	5.05	0.86	5.25	0.87	5.34	0.87	5.47	0.88	5.93	0.88
	25	4.23	0.66	4.95	0.80	5.05	0.92	5.25	0.93	5.34	0.93	5.47	0.94	5.93	0.95
	27	4.23	0.70	4.95	0.85	5.05	0.98	5.25	0.99	5.34	1.00	5.47	1.00	5.93	1.01
	29	4.23	0.75	4.95	0.91	5.05	1.05	5.25	1.06	5.34	1.07	5.47	1.07	5.93	1.08
	31	4.23	0.80	4.95	0.97	5.05	1.12	5.25	1.13	5.34	1.14	5.47	1.14	5.93	1.15
	33	4.23	0.85	4.95	1.03	5.05	1.19	5.25	1.20	5.34	1.21	5.47	1.22	5.93	1.23
	35	4.23	0.91	4.95	1.10	5.05	1.27	5.25	1.28	5.34	1.29	5.47	1.29	5.93	1.31
	37	4.23	0.96	4.95	1.17	5.05	1.35	5.25	1.36	5.34	1.37	5.47	1.38	5.93	1.39
	39	4.23	0.97	4.95	1.18	5.05	1.36	5.25	1.37	5.34	1.38	5.47	1.38	5.93	1.39
	41	4.23	0.97	4.95	1.18	5.05	1.36	5.25	1.37	5.34	1.38	5.47	1.39	5.93	1.40
43	4.23	0.98	4.95	1.19	5.05	1.37	5.25	1.38	5.34	1.39	5.47	1.40	5.93	1.41	
46	4.23	0.98	4.95	1.19	5.05	1.38	5.25	1.39	5.34	1.40	5.47	1.40	5.93	1.41	
48	4.23	0.99	4.95	1.20	5.05	1.38	5.25	1.39	5.34	1.40	5.47	1.41	5.93	1.42	
50	4.23	0.99	4.95	1.20	5.05	1.39	5.25	1.40	5.34	1.41	5.47	1.41	5.93	1.43	
52	4.23	1.00	4.95	1.21	5.05	1.39	5.25	1.41	5.34	1.42	5.47	1.42	5.93	1.43	

Cooling capacity table (TMVMin140HT3)3.41

Combination (%) (Capacity index)	Outdoor temperature (°C DB)	Indoor temperature(°C)													
		DB:20.8,WB:14		DB:23.3,WB:16		DB:25.8,WB:18		DB:27,WB:19		DB:28.2,WB:20		DB:30.7,WB:22		DB:32,WB:24	
		TC	PI	TC	PI	TC	PI	TC	PI	TC	PI	TC	PI	TC	PI
130%	10	12.44	1.70	14.89	2.06	16.81	2.38	17.62	2.40	17.93	2.41	18.21	2.42	19.74	2.44
	12	12.44	1.73	14.89	2.10	16.81	2.42	17.47	2.44	17.77	2.46	18.05	2.47	19.57	2.49
	14	12.44	1.76	14.89	2.14	16.81	2.47	17.31	2.49	17.61	2.50	17.72	2.51	19.39	2.53
	16	12.44	1.79	14.89	2.18	16.66	2.51	17.00	2.53	17.30	2.55	17.56	2.56	19.22	2.58
	18	12.44	1.82	14.89	2.21	16.36	2.55	16.85	2.57	17.14	2.59	17.40	2.60	19.04	2.63
	19	12.44	1.85	14.89	2.25	16.22	2.60	16.69	2.62	16.98	2.64	17.24	2.65	18.87	2.67
	21	12.44	1.99	14.89	2.41	16.07	2.78	16.54	2.81	16.83	2.83	17.08	2.84	18.69	2.86
	23	12.44	2.13	14.89	2.59	15.92	2.98	16.38	3.01	16.67	3.03	16.92	3.04	18.52	3.07
	25	12.44	2.28	14.89	2.77	15.77	3.19	16.23	3.22	16.51	3.24	16.76	3.25	18.34	3.28
	27	12.44	2.44	14.89	2.96	15.62	3.41	16.07	3.44	16.36	3.46	16.60	3.48	18.17	3.51
	29	12.44	2.60	14.77	3.16	15.47	3.64	15.92	3.67	16.20	3.70	16.44	3.71	17.99	3.75
	31	12.44	2.77	14.73	3.37	15.32	3.89	15.77	3.92	16.04	3.94	16.27	3.96	17.82	3.99
	33	12.44	2.95	14.73	3.59	15.17	4.14	15.61	4.17	15.88	4.20	16.11	4.22	17.65	4.26
	35	12.44	3.14	14.58	3.82	14.88	4.40	15.46	4.44	15.73	4.47	16.11	4.49	17.47	4.53
	37	12.44	3.34	14.58	4.06	14.88	4.68	15.15	4.72	15.41	4.75	14.98	4.77	17.12	4.81
	39	12.44	3.36	14.58	4.08	14.58	4.70	15.04	4.74	15.25	4.77	14.82	4.79	16.95	4.84
	41	12.44	3.37	14.29	4.10	14.58	4.72	14.99	4.76	15.10	4.80	14.66	4.81	16.77	4.86
	43	11.82	3.39	14.29	4.11	14.13	4.75	14.84	4.78	14.94	4.82	15.31	4.84	16.60	4.88
	46	11.82	3.40	13.85	4.13	14.13	4.77	14.24	4.81	14.78	4.84	15.15	4.86	16.42	4.90
	48	11.82	3.42	13.85	4.15	13.39	4.79	14.00	4.83	14.31	4.86	14.98	4.88	16.25	4.92
50	11.20	3.43	13.12	4.17	12.94	4.81	13.79	4.85	14.15	4.88	14.82	4.90	16.07	4.95	
52	10.64	3.45	12.69	4.19	12.64	4.83	13.21	4.87	14.00	4.91	14.50	4.93	15.90	4.97	
120%	10	12.28	1.66	14.38	2.04	15.99	2.36	17.07	2.38	17.68	2.39	17.95	2.40	19.47	2.43
	12	12.28	1.69	14.38	2.08	15.99	2.40	17.07	2.42	17.52	2.44	17.79	2.45	19.29	2.47
	14	12.28	1.72	14.38	2.12	15.99	2.45	17.07	2.47	17.37	2.48	17.63	2.49	19.12	2.51
	16	12.28	1.75	14.38	2.16	15.99	2.49	17.07	2.51	17.21	2.53	17.48	2.54	18.95	2.56
	18	12.28	1.78	14.38	2.20	15.99	2.53	17.07	2.55	17.06	2.57	17.32	2.58	18.78	2.60
	19	12.28	1.81	14.38	2.23	15.99	2.58	16.92	2.60	16.90	2.62	17.16	2.63	18.60	2.65
	21	12.28	1.94	14.38	2.40	15.99	2.76	16.76	2.78	16.59	2.80	17.00	2.82	18.43	2.84
	23	12.28	2.08	14.38	2.57	15.69	2.96	16.61	2.98	16.44	3.00	16.84	3.02	18.26	3.04
	25	12.28	2.23	14.38	2.75	15.55	3.17	16.46	3.19	16.28	3.21	16.68	3.23	18.09	3.26
	27	12.28	2.38	14.38	2.93	15.40	3.39	16.31	3.41	16.13	3.44	16.52	3.45	17.92	3.48
	29	12.28	2.54	14.38	3.13	15.25	3.61	16.00	3.64	15.97	3.67	16.36	3.68	17.74	3.72
	31	12.28	2.71	14.38	3.34	14.96	3.85	15.54	3.89	15.82	3.91	16.21	3.93	17.57	3.96
	33	12.28	2.89	14.38	3.56	14.81	4.11	15.39	4.14	15.66	4.17	16.05	4.18	17.40	4.22
	35	12.28	3.07	14.38	3.79	14.67	4.37	15.24	4.40	15.51	4.43	15.89	4.45	17.23	4.49
	37	12.28	3.27	14.38	4.03	14.52	4.65	14.93	4.68	15.20	4.72	15.57	4.73	16.88	4.78
	39	12.28	3.28	14.38	4.04	14.37	4.67	14.78	4.70	15.04	4.74	15.41	4.76	16.71	4.80
	41	12.28	3.30	13.66	4.06	14.23	4.69	14.63	4.72	14.89	4.76	15.25	4.78	16.54	4.82
	43	12.28	3.31	13.52	4.08	14.08	4.71	14.48	4.75	14.73	4.78	15.09	4.80	16.36	4.84
	46	12.28	3.33	13.37	4.10	13.93	4.73	14.33	4.77	14.28	4.80	14.93	4.82	16.19	4.86
	48	11.91	3.34	13.23	4.12	13.79	4.75	14.02	4.79	14.42	4.82	14.78	4.84	16.02	4.89
50	11.79	3.36	13.08	4.14	13.64	4.77	13.87	4.81	14.27	4.85	14.62	4.87	15.85	4.91	
52	11.67	3.37	12.94	4.16	13.49	4.80	13.72	4.83	13.96	4.87	14.46	4.89	15.68	4.93	
110%	10	11.95	1.65	14.01	2.00	14.29	2.31	15.89	2.33	17.07	2.34	17.49	2.35	18.97	2.37
	12	11.95	1.68	14.01	2.04	14.29	2.35	15.89	2.37	16.92	2.39	17.34	2.40	18.80	2.42
	14	11.95	1.71	14.01	2.08	14.29	2.39	15.89	2.41	16.77	2.43	17.18	2.44	18.63	2.46
	16	11.95	1.74	14.01	2.11	14.29	2.44	15.89	2.46	16.62	2.47	17.03	2.48	18.46	2.51
	18	11.95	1.77	14.01	2.15	14.29	2.48	15.89	2.50	16.47	2.52	16.87	2.53	18.30	2.55
	19	11.95	1.80	14.01	2.19	14.29	2.52	15.89	2.54	16.32	2.56	16.72	2.57	18.13	2.59
	21	11.95	1.93	14.01	2.34	14.29	2.70	15.89	2.73	16.17	2.75	16.56	2.76	17.96	2.78
	23	11.95	2.07	14.01	2.51	14.29	2.90	15.74	2.92	16.02	2.94	16.41	2.95	17.79	2.98
	25	11.95	2.21	14.01	2.69	14.29	3.10	15.59	3.13	15.87	3.15	16.25	3.16	17.62	3.19
	27	11.95	2.37	14.01	2.87	14.29	3.31	15.44	3.34	15.71	3.36	16.10	3.38	17.46	3.41
	29	11.95	2.53	14.01	3.07	14.29	3.54	15.30	3.57	15.56	3.59	15.95	3.61	17.29	3.64
	31	11.95	2.69	14.01	3.27	14.29	3.77	15.15	3.80	15.41	3.83	15.79	3.85	17.12	3.88
	33	11.95	2.87	14.01	3.48	14.29	4.02	15.00	4.05	15.26	4.08	15.64	4.10	16.95	4.13
	35	11.95	3.05	14.01	3.71	14.29	4.28	14.85	4.31	15.11	4.34	15.48	4.36	16.79	4.40
	37	11.95	3.25	14.01	3.94	14.29	4.55	14.55	4.58	14.81	4.62	15.17	4.64	16.45	4.68
	39	11.95	3.26	14.01	3.96	14.29	4.57	14.40	4.60	14.66	4.64	15.02	4.66	16.28	4.70
	41	11.95	3.27	14.01	3.98	14.29	4.59	14.26	4.63	14.51	4.66	14.86	4.68	16.11	4.72
	43	11.95	3.29	14.01	4.00	14.29	4.61	14.11	4.65	14.35	4.68	14.71	4.70	15.95	4.74
	46	11.95	3.31	14.01	4.01	14.29	4.63	13.96	4.67	14.20	4.70	14.55	4.72	15.78	4.76
	48	11.36	3.32	13.59	4.03	14.01	4.65	13.81	4.69	14.05	4.72	14.40	4.74	15.61	4.78
50	11.24	3.34	13.45	4.05	13.86	4.67	13.66	4.71	13.90	4.74	14.24	4.76	15.44	4.81	
52	11.12	3.35	13.31	4.07	13.72	4.70	13.51	4.73	13.75	4.77	14.09	4.79	15.27	4.83	

R410A Tropical DC Inverter Mini VRF 50Hz

Cooling capacity table (TMV/Min140HT3)3.41

Combination (%) (Capacity index)	Outdoor temperature (°C DB)	Indoor temperature(°C)													
		DB:20.8,WB:14		DB:23.3,WB:16		DB:25.8,WB:18		DB:27,WB:19		DB:28.2,WB:20		DB:30.7,WB:22		DB:32,WB:24	
		TC kW	PI kW	TC kW	PI kW	TC kW	PI kW	TC kW	PI kW	TC kW	PI kW	TC kW	PI kW	TC kW	PI kW
100%	10	11.27	1.57	13.21	1.90	13.48	2.20	14.00	2.21	15.24	2.23	16.35	2.24	17.88	2.26
	12	11.27	1.60	13.21	1.94	13.48	2.24	14.00	2.26	15.24	2.27	16.35	2.28	17.72	2.30
	14	11.27	1.63	13.21	1.97	13.48	2.28	14.00	2.30	15.24	2.31	16.20	2.32	17.57	2.34
	16	11.27	1.65	13.21	2.01	13.48	2.32	14.00	2.34	15.24	2.35	16.05	2.36	17.41	2.38
	18	11.27	1.68	13.21	2.05	13.48	2.36	14.00	2.38	15.24	2.39	15.91	2.40	17.25	2.43
	19	11.27	1.71	13.21	2.08	13.48	2.40	14.00	2.42	15.24	2.44	15.76	2.45	17.09	2.47
	21	11.27	1.84	13.21	2.23	13.48	2.57	14.00	2.59	15.24	2.61	15.62	2.62	16.93	2.65
	23	11.27	1.97	13.21	2.39	13.48	2.76	14.00	2.78	15.24	2.80	15.47	2.81	16.77	2.83
	25	11.27	2.10	13.21	2.56	13.48	2.95	14.00	2.97	15.10	2.99	15.32	3.01	16.62	3.03
	27	11.27	2.25	13.21	2.73	13.48	3.15	14.00	3.18	14.96	3.20	15.18	3.21	16.46	3.24
	29	11.27	2.40	13.21	2.92	13.48	3.37	14.00	3.39	14.81	3.42	15.03	3.43	16.30	3.46
	31	11.27	2.56	13.21	3.11	13.48	3.59	14.00	3.62	14.67	3.64	14.89	3.66	16.14	3.69
	33	11.27	2.73	13.21	3.31	13.48	3.82	14.00	3.85	14.39	3.88	14.74	3.90	15.98	3.93
	35	11.27	2.90	13.21	3.53	13.48	4.07	14.00	4.10	14.25	4.13	14.60	4.15	15.82	4.18
	37	11.27	3.09	13.21	3.75	13.48	4.33	13.72	4.36	13.96	4.39	14.30	4.41	15.51	4.45
	39	11.27	3.10	13.21	3.77	13.48	4.34	13.58	4.38	13.82	4.41	14.16	4.43	15.35	4.47
	41	11.27	3.11	13.21	3.78	13.42	4.36	13.44	4.40	13.68	4.43	14.01	4.45	15.19	4.49
	43	11.27	3.13	13.21	3.80	13.28	4.38	13.30	4.42	13.53	4.45	13.87	4.47	15.03	4.51
	46	11.27	3.14	12.64	3.82	12.68	4.40	12.7	4.47	13.39	4.47	13.72	4.49	14.88	4.53
	48	11.27	3.16	12.51	3.84	12.57	4.43	12.62	4.48	13.25	4.49	13.57	4.51	14.72	4.55
50	11.27	3.17	12.48	3.85	12.54	4.45	12.58	4.49	13.11	4.51	13.43	4.53	14.56	4.57	
52	11.27	3.19	12.35	3.87	12.40	4.47	12.44	4.50	12.96	4.53	13.28	4.55	14.40	4.59	
90%	10	10.14	1.36	11.89	1.65	12.13	1.90	12.60	1.91	12.82	1.93	14.05	1.94	15.24	1.95
	12	10.14	1.38	11.89	1.68	12.13	1.93	12.60	1.95	12.82	1.96	14.05	1.97	15.24	1.99
	14	10.14	1.41	11.89	1.71	12.13	1.97	12.60	1.98	12.82	2.00	14.05	2.01	15.24	2.02
	16	10.14	1.43	11.89	1.74	12.13	2.00	12.60	2.02	12.82	2.03	14.05	2.04	15.24	2.06
	18	10.14	1.46	11.89	1.77	12.13	2.04	12.60	2.06	12.82	2.07	14.05	2.08	15.10	2.10
	19	10.14	1.48	11.89	1.80	12.13	2.07	12.60	2.09	12.82	2.11	14.05	2.11	14.95	2.13
	21	10.14	1.59	11.89	1.93	12.13	2.22	12.60	2.24	12.82	2.26	14.05	2.27	14.81	2.29
	23	10.14	1.70	11.89	2.07	12.13	2.38	12.60	2.40	12.82	2.42	14.05	2.43	14.67	2.45
	25	10.14	1.82	11.89	2.21	12.13	2.55	12.60	2.57	12.82	2.59	13.92	2.60	14.53	2.62
	27	10.14	1.94	11.89	2.36	12.13	2.72	12.60	2.75	12.82	2.77	13.79	2.78	14.53	2.80
	29	10.14	2.08	11.89	2.52	12.13	2.91	12.60	2.93	12.82	2.95	13.66	2.97	14.53	2.99
	31	10.14	2.21	11.89	2.69	12.13	3.10	12.60	3.13	12.82	3.15	13.53	3.16	14.38	3.19
	33	10.14	2.36	11.89	2.87	12.13	3.31	12.60	3.33	12.82	3.36	13.27	3.37	14.38	3.40
	35	10.14	2.51	11.89	3.05	12.13	3.52	12.60	3.54	12.82	3.57	13.14	3.58	14.24	3.62
	37	10.14	2.67	11.89	3.24	12.13	3.74	12.60	3.77	12.82	3.80	12.87	3.81	13.96	3.85
	39	10.14	2.68	11.89	3.26	12.13	3.76	12.60	3.79	12.82	3.81	12.74	3.83	13.82	3.86
	41	10.14	2.69	11.89	3.27	12.13	3.77	12.60	3.80	12.82	3.83	12.61	3.85	13.67	3.88
	43	10.14	2.71	11.89	3.29	12.13	3.79	12.60	3.82	12.82	3.85	12.61	3.86	13.67	3.90
	46	10.14	2.72	11.89	3.30	11.88	3.81	12.60	3.84	12.82	3.87	12.61	3.88	13.67	3.92
	48	10.14	2.73	11.89	3.32	11.76	3.83	12.22	3.86	12.44	3.88	12.61	3.90	13.67	3.93
50	10.14	2.74	11.89	3.33	11.64	3.84	12.10	3.87	12.31	3.90	12.48	3.92	13.53	3.95	
52	10.14	2.76	11.89	3.35	11.52	3.86	11.97	3.89	12.18	3.92	12.48	3.93	13.53	3.97	
80%	10	9.02	1.16	10.57	1.41	10.78	1.62	11.20	1.63	11.40	1.65	11.68	1.65	12.66	1.67
	12	9.02	1.18	10.57	1.43	10.78	1.65	11.20	1.67	11.40	1.68	11.68	1.68	12.66	1.70
	14	9.02	1.20	10.57	1.46	10.78	1.68	11.20	1.70	11.40	1.71	11.68	1.71	12.66	1.73
	16	9.02	1.22	10.57	1.48	10.78	1.71	11.20	1.73	11.40	1.74	11.68	1.74	12.66	1.76
	18	9.02	1.24	10.57	1.51	10.78	1.74	11.20	1.76	11.40	1.77	11.68	1.78	12.66	1.79
	19	9.02	1.26	10.57	1.54	10.78	1.77	11.20	1.79	11.40	1.80	11.68	1.81	12.66	1.82
	21	9.02	1.36	10.57	1.65	10.78	1.90	11.20	1.91	11.40	1.93	11.68	1.94	12.66	1.95
	23	9.02	1.45	10.57	1.76	10.78	2.03	11.20	2.05	11.40	2.07	11.68	2.07	12.66	2.09
	25	9.02	1.55	10.57	1.89	10.78	2.18	11.20	2.20	11.40	2.21	11.68	2.22	12.66	2.24
	27	9.02	1.66	10.57	2.02	10.78	2.33	11.20	2.35	11.40	2.36	11.68	2.37	12.66	2.39
	29	9.02	1.77	10.57	2.15	10.78	2.49	11.20	2.51	11.40	2.52	11.68	2.53	12.66	2.56
	31	9.02	1.89	10.57	2.30	10.78	2.65	11.20	2.67	11.40	2.69	11.68	2.70	12.66	2.73
	33	9.02	2.01	10.57	2.45	10.78	2.82	11.20	2.85	11.40	2.87	11.68	2.88	12.66	2.90
	35	9.02	2.14	10.57	2.60	10.78	3.00	11.20	3.03	11.40	3.05	11.68	3.06	12.66	3.09
	37	9.02	2.28	10.57	2.77	10.78	3.19	11.20	3.22	11.40	3.24	11.68	3.26	12.41	3.28
	39	9.02	2.29	10.57	2.78	10.78	3.21	11.20	3.23	11.40	3.26	11.68	3.27	12.28	3.30
	41	9.02	2.30	10.57	2.79	10.78	3.22	11.20	3.25	11.40	3.27	11.68	3.28	12.15	3.31
	43	9.02	2.31	10.57	2.81	10.78	3.24	11.20	3.26	11.40	3.29	11.68	3.30	12.15	3.33
	46	9.02	2.32	10.57	2.82	10.78	3.25	11.20	3.28	11.40	3.30	11.68	3.32	12.15	3.34
	48	9.02	2.33	10.57	2.83	10.78	3.27	11.20	3.29	11.40	3.32	11.68	3.33	12.15	3.36
50	9.02	2.34	10.57	2.85	10.78	3.28	11.20	3.31	11.40	3.33	11.68	3.35	12.03	3.38	
52	9.02	2.35	10.57	2.86	10.78	3.30	11.20	3.32	11.40	3.35	11.68	3.36	12.03	3.39	

Cooling capacity table (TMVMiN140HT3i<sup>3,41</sup>)

Combination (%) (Capacity index)	Outdoor temperature (°C DB)	Indoor temperature(°C)													
		DB:20.8,WB:14		DB:23.3,WB:16		DB:25.8,WB:18		DB:27,WB:19		DB:28.2,WB:20		DB:30.7,WB:22		DB:32,WB:24	
		TC	PI	TC	PI	TC	PI	TC	PI	TC	PI	TC	PI	TC	PI
70%	10	7.89	0.97	9.25	1.18	9.43	1.37	9.80	1.38	9.97	1.39	10.22	1.39	11.08	1.40
	12	7.89	0.99	9.25	1.21	9.43	1.39	9.80	1.40	9.97	1.41	10.22	1.42	11.08	1.43
	14	7.89	1.01	9.25	1.23	9.43	1.42	9.80	1.43	9.97	1.44	10.22	1.44	11.08	1.46
	16	7.89	1.03	9.25	1.25	9.43	1.44	9.80	1.45	9.97	1.46	10.22	1.47	11.08	1.48
	18	7.89	1.05	9.25	1.27	9.43	1.47	9.80	1.48	9.97	1.49	10.22	1.50	11.08	1.51
	19	7.89	1.07	9.25	1.29	9.43	1.49	9.80	1.50	9.97	1.51	10.22	1.52	11.08	1.53
	21	7.89	1.14	9.25	1.39	9.43	1.60	9.80	1.61	9.97	1.62	10.22	1.63	11.08	1.64
	23	7.89	1.22	9.25	1.49	9.43	1.71	9.80	1.73	9.97	1.74	10.22	1.75	11.08	1.76
	25	7.89	1.31	9.25	1.59	9.43	1.83	9.80	1.85	9.97	1.86	10.22	1.87	11.08	1.89
	27	7.89	1.40	9.25	1.70	9.43	1.96	9.80	1.98	9.97	1.99	10.22	2.00	11.08	2.02
	29	7.89	1.49	9.25	1.81	9.43	2.09	9.80	2.11	9.97	2.12	10.22	2.13	11.08	2.15
	31	7.89	1.59	9.25	1.94	9.43	2.23	9.80	2.25	9.97	2.27	10.22	2.27	11.08	2.30
	33	7.89	1.70	9.25	2.06	9.43	2.38	9.80	2.40	9.97	2.41	10.22	2.42	11.08	2.44
	35	7.89	1.81	9.25	2.19	9.43	2.53	9.80	2.55	9.97	2.57	10.22	2.58	11.08	2.60
	37	7.89	1.92	9.25	2.33	9.43	2.69	9.80	2.71	9.97	2.73	10.22	2.74	11.08	2.77
	39	7.89	1.93	9.25	2.34	9.43	2.70	9.80	2.72	9.97	2.74	10.22	2.75	11.08	2.78
	41	7.89	1.94	9.25	2.35	9.43	2.71	9.80	2.74	9.97	2.75	10.22	2.77	11.08	2.79
	43	7.89	1.95	9.25	2.36	9.43	2.73	9.80	2.75	9.97	2.77	10.22	2.78	11.08	2.80
	46	7.89	1.95	9.25	2.37	9.43	2.74	9.80	2.76	9.97	2.78	10.22	2.79	11.08	2.82
	48	7.89	1.96	9.25	2.39	9.43	2.75	9.80	2.77	9.97	2.79	10.22	2.80	11.08	2.83
50	7.89	1.97	9.25	2.40	9.43	2.76	9.80	2.79	9.97	2.81	10.22	2.82	11.08	2.84	
52	7.89	1.98	9.25	2.41	9.43	2.78	9.80	2.80	9.97	2.82	10.22	2.83	11.08	2.86	
60%	10	6.76	0.81	7.93	0.98	8.09	1.13	8.40	1.14	8.55	1.15	8.76	1.15	9.49	1.16
	12	6.76	0.82	7.93	1.00	8.09	1.15	8.40	1.16	8.55	1.17	8.76	1.17	9.49	1.18
	14	6.76	0.84	7.93	1.02	8.09	1.17	8.40	1.18	8.55	1.19	8.76	1.19	9.49	1.21
	16	6.76	0.85	7.93	1.03	8.09	1.19	8.40	1.20	8.55	1.21	8.76	1.22	9.49	1.23
	18	6.76	0.87	7.93	1.05	8.09	1.21	8.40	1.22	8.55	1.23	8.76	1.24	9.49	1.25
	19	6.76	0.88	7.93	1.07	8.09	1.24	8.40	1.25	8.55	1.25	8.76	1.26	9.49	1.27
	21	6.76	0.95	7.93	1.15	8.09	1.32	8.40	1.33	8.55	1.34	8.76	1.35	9.49	1.36
	23	6.76	1.01	7.93	1.23	8.09	1.42	8.40	1.43	8.55	1.44	8.76	1.45	9.49	1.46
	25	6.76	1.08	7.93	1.32	8.09	1.52	8.40	1.53	8.55	1.54	8.76	1.55	9.49	1.56
	27	6.76	1.16	7.93	1.41	8.09	1.62	8.40	1.64	8.55	1.65	8.76	1.65	9.49	1.67
	29	6.76	1.24	7.93	1.50	8.09	1.73	8.40	1.75	8.55	1.76	8.76	1.77	9.49	1.78
	31	6.76	1.32	7.93	1.60	8.09	1.85	8.40	1.86	8.55	1.88	8.76	1.88	9.49	1.90
	33	6.76	1.40	7.93	1.71	8.09	1.97	8.40	1.98	8.55	2.00	8.76	2.01	9.49	2.02
	35	6.76	1.49	7.93	1.81	8.09	2.09	8.40	2.11	8.55	2.13	8.76	2.13	9.49	2.15
	37	6.76	1.59	7.93	1.93	8.09	2.23	8.40	2.24	8.55	2.26	8.76	2.27	9.49	2.29
	39	6.76	1.60	7.93	1.94	8.09	2.24	8.40	2.25	8.55	2.27	8.76	2.28	9.49	2.30
	41	6.76	1.60	7.93	1.95	8.09	2.25	8.40	2.26	8.55	2.28	8.76	2.29	9.49	2.31
	43	6.76	1.61	7.93	1.96	8.09	2.26	8.40	2.27	8.55	2.29	8.76	2.30	9.49	2.32
	46	6.76	1.62	7.93	1.97	8.09	2.27	8.40	2.29	8.55	2.30	8.76	2.31	9.49	2.33
	48	6.76	1.63	7.93	1.97	8.09	2.28	8.40	2.30	8.55	2.31	8.76	2.32	9.49	2.34
50	6.76	1.63	7.93	1.98	8.09	2.29	8.40	2.31	8.55	2.32	8.76	2.33	9.49	2.35	
52	6.76	1.64	7.93	1.99	8.09	2.30	8.40	2.32	8.55	2.33	8.76	2.34	9.49	2.36	
50%	10	5.64	0.65	6.60	0.79	6.74	0.92	7.00	0.92	7.12	0.93	7.30	0.93	7.91	0.94
	12	5.64	0.67	6.60	0.81	6.74	0.93	7.00	0.94	7.12	0.95	7.30	0.95	7.91	0.96
	14	5.64	0.68	6.60	0.82	6.74	0.95	7.00	0.96	7.12	0.96	7.30	0.97	7.91	0.98
	16	5.64	0.69	6.60	0.84	6.74	0.97	7.00	0.97	7.12	0.98	7.30	0.99	7.91	0.99
	18	5.64	0.70	6.60	0.85	6.74	0.98	7.00	0.99	7.12	1.00	7.30	1.00	7.91	1.01
	19	5.64	0.71	6.60	0.87	6.74	1.00	7.00	1.01	7.12	1.02	7.30	1.02	7.91	1.03
	21	5.64	0.77	6.60	0.93	6.74	1.07	7.00	1.08	7.12	1.09	7.30	1.09	7.91	1.10
	23	5.64	0.82	6.60	1.00	6.74	1.15	7.00	1.16	7.12	1.17	7.30	1.17	7.91	1.18
	25	5.64	0.88	6.60	1.07	6.74	1.23	7.00	1.24	7.12	1.25	7.30	1.25	7.91	1.26
	27	5.64	0.94	6.60	1.14	6.74	1.31	7.00	1.33	7.12	1.33	7.30	1.34	7.91	1.35
	29	5.64	1.00	6.60	1.22	6.74	1.40	7.00	1.41	7.12	1.42	7.30	1.43	7.91	1.44
	31	5.64	1.07	6.60	1.30	6.74	1.50	7.00	1.51	7.12	1.52	7.30	1.53	7.91	1.54
	33	5.64	1.14	6.60	1.38	6.74	1.59	7.00	1.61	7.12	1.62	7.30	1.62	7.91	1.64
	35	5.64	1.21	6.60	1.47	6.74	1.70	7.00	1.71	7.12	1.72	7.30	1.73	7.91	1.74
	37	5.64	1.29	6.60	1.56	6.74	1.80	7.00	1.82	7.12	1.83	7.30	1.84	7.91	1.85
	39	5.64	1.29	6.60	1.57	6.74	1.81	7.00	1.83	7.12	1.84	7.30	1.85	7.91	1.86
	41	5.64	1.30	6.60	1.58	6.74	1.82	7.00	1.83	7.12	1.85	7.30	1.85	7.91	1.87
	43	5.64	1.30	6.60	1.59	6.74	1.83	7.00	1.84	7.12	1.86	7.30	1.86	7.91	1.88
	46	5.64	1.31	6.60	1.59	6.74	1.84	7.00	1.85	7.12	1.86	7.30	1.87	7.91	1.89
	48	5.64	1.32	6.60	1.60	6.74	1.85	7.00	1.86	7.12	1.87	7.30	1.88	7.91	1.90
50	5.64	1.32	6.60	1.61	6.74	1.85	7.00	1.87	7.12	1.88	7.30	1.89	7.91	1.91	
52	5.64	1.33	6.60	1.61	6.74	1.86	7.00	1.88	7.12	1.89	7.30	1.90	7.91	1.91	

**Heating capacity**  
 Heating capacity table (TMVMin105HT3I<sup>3.42</sup>)

Combination (Capacity index)	Outdoor air temp.		Indoor temperature(°C DB)											
			16		18		20		21		22		24	
	°C DB	°C WB	TC	PI	TC	PI	TC	PI	TC	PI	TC	PI	TC	PI
130%	-14.7	-15	8.58	3.05	8.58	3.12	8.50	3.18	8.24	3.21	8.16	3.25	8.00	3.30
	-12.6	-13	8.87	3.10	8.87	3.17	8.78	3.23	8.52	3.27	8.43	3.31	8.26	3.35
	-10.5	-11	9.15	3.15	9.15	3.22	9.06	3.29	8.79	3.32	8.71	3.36	8.53	3.41
	-9.5	-10	9.44	3.18	9.44	3.24	9.35	3.31	9.07	3.34	8.98	3.39	8.80	3.43
	-8.5	-9.1	9.73	3.20	9.73	3.27	9.63	3.34	9.34	3.37	9.25	3.41	9.06	3.46
	-7	-7.6	10.01	3.24	10.01	3.31	9.91	3.37	9.62	3.41	9.52	3.45	9.33	3.50
	-5	-5.6	10.30	3.28	10.30	3.35	10.20	3.42	9.89	3.46	9.79	3.50	9.60	3.55
	-3	-3.7	10.58	3.33	10.58	3.40	10.48	3.47	10.17	3.51	10.07	3.55	9.86	3.60
	0	-0.7	10.87	3.40	10.87	3.48	10.76	3.55	10.44	3.58	10.34	3.63	10.13	3.68
	3	2.2	12.24	3.48	12.24	3.55	12.11	3.62	11.76	3.66	11.64	3.71	11.40	3.76
	5	4.1	13.82	3.52	13.82	3.60	13.68	3.67	13.28	3.71	13.14	3.76	12.88	3.81
	7	6	14.30	3.57	14.30	3.65	14.16	3.72	13.74	3.76	13.60	3.81	13.33	3.86
	9	7.9	14.30	3.45	14.30	3.53	14.16	3.60	13.74	3.63	13.60	3.68	13.33	3.73
	11	9.8	14.30	3.33	14.30	3.40	14.16	3.47	13.74	3.51	13.60	3.55	13.33	3.60
	13	11.8	14.30	3.21	14.30	3.28	14.16	3.35	13.74	3.38	13.60	3.43	13.33	3.47
15	13.7	14.30	3.09	14.30	3.16	14.16	3.22	13.74	3.26	13.60	3.30	13.33	3.34	
120%	-14.7	-15	8.22	3.00	8.22	3.06	8.14	3.13	7.81	3.16	7.49	3.20	7.05	3.24
	-12.6	-13	8.49	3.05	8.49	3.11	8.41	3.18	8.07	3.21	7.74	3.25	7.28	3.29
	-10.5	-11	8.77	3.10	8.77	3.16	8.68	3.23	8.33	3.26	7.99	3.30	7.52	3.35
	-9.5	-10	9.04	3.12	9.04	3.19	8.95	3.25	8.59	3.29	8.24	3.33	7.75	3.37
	-8.5	-9.1	9.31	3.14	9.31	3.21	9.22	3.28	8.85	3.31	8.49	3.35	7.99	3.40
	-7	-7.6	9.59	3.18	9.59	3.25	9.49	3.32	9.12	3.35	8.74	3.39	8.22	3.44
	-5	-5.6	9.86	3.23	9.86	3.30	9.76	3.37	9.38	3.40	8.99	3.44	8.46	3.49
	-3	-3.7	10.13	3.27	10.13	3.34	10.03	3.41	9.64	3.45	9.24	3.49	8.69	3.54
	0	-0.7	10.41	3.35	10.41	3.42	10.31	3.49	9.90	3.52	9.49	3.57	8.93	3.62
	3	2.2	11.72	3.42	11.72	3.49	11.60	3.56	11.14	3.60	10.68	3.64	10.05	3.69
	5	4.1	13.23	3.46	13.23	3.54	13.10	3.61	12.58	3.65	12.06	3.69	11.35	3.74
	7	6	13.70	3.51	13.70	3.59	13.56	3.66	13.02	3.70	12.48	3.74	11.74	3.79
	9	7.9	13.70	3.39	13.70	3.47	13.56	3.54	13.02	3.57	12.48	3.62	11.74	3.67
	11	9.8	13.70	3.27	13.70	3.34	13.56	3.41	13.02	3.45	12.48	3.49	11.74	3.54
	13	11.8	13.70	3.16	13.70	3.22	13.56	3.29	13.02	3.32	12.48	3.37	11.74	3.41
15	13.7	13.70	3.04	13.70	3.10	13.56	3.17	13.02	3.20	12.48	3.24	11.74	3.28	
110%	-14.7	-15	7.97	2.95	7.93	3.01	7.85	3.07	7.54	3.10	7.23	3.14	6.76	3.18
	-12.6	-13	8.23	2.99	8.19	3.06	8.11	3.12	7.79	3.15	7.47	3.19	6.98	3.24
	-10.5	-11	8.50	3.04	8.45	3.11	8.37	3.17	8.04	3.20	7.71	3.25	7.21	3.29
	-9.5	-10	8.76	3.07	8.72	3.13	8.63	3.20	8.29	3.23	7.95	3.27	7.44	3.31
	-8.5	-9.1	9.03	3.09	8.98	3.16	8.89	3.22	8.54	3.25	8.19	3.30	7.66	3.34
	-7	-7.6	9.29	3.12	9.25	3.19	9.16	3.26	8.79	3.29	8.43	3.33	7.89	3.38
	-5	-5.6	9.56	3.17	9.51	3.24	9.42	3.31	9.04	3.34	8.67	3.38	8.11	3.43
	-3	-3.7	9.82	3.22	9.78	3.29	9.68	3.35	9.30	3.39	8.91	3.43	8.34	3.48
	0	-0.7	10.09	3.29	10.04	3.36	9.94	3.43	9.55	3.46	9.15	3.51	8.56	3.55
	3	2.2	11.36	3.36	11.30	3.43	11.19	3.50	10.75	3.53	10.30	3.58	9.64	3.63
	5	4.1	12.83	3.40	12.77	3.47	12.64	3.55	12.14	3.58	11.64	3.63	10.89	3.68
	7	6	13.28	3.45	13.21	3.52	13.08	3.60	12.56	3.63	12.04	3.68	11.27	3.73
	9	7.9	13.28	3.33	13.21	3.40	13.08	3.48	12.56	3.51	12.04	3.56	11.27	3.60
	11	9.8	13.28	3.22	13.21	3.29	13.08	3.35	12.56	3.39	12.04	3.43	11.27	3.48
	13	11.8	13.28	3.10	13.21	3.17	13.08	3.23	12.56	3.26	12.04	3.31	11.27	3.35
15	13.7	13.28	2.99	13.21	3.05	13.08	3.11	12.56	3.14	12.04	3.18	11.27	3.23	

Heating capacity table (TMVMiN105HT3I<sup>3,42</sup>)

Combination (Capacity index)	Outdoor air temp.		Indoor temperature(°C DB)											
			16		18		20		21		22		24	
	°C DB	°C WB	TC	PI	TC	PI	TC	PI	TC	PI	TC	PI	TC	PI
100%	-14.7	-15	7.31	2.85	7.27	2.91	7.20	2.97	6.91	3.00	6.63	3.04	6.20	3.08
	-12.6	-13	7.55	2.90	7.51	2.96	7.44	3.02	7.14	3.05	6.85	3.09	6.41	3.13
	-10.5	-11	7.80	2.95	7.76	3.01	7.68	3.07	7.38	3.10	7.07	3.14	6.61	3.18
	-9.5	-10	8.04	2.97	8.00	3.03	7.92	3.09	7.61	3.12	7.29	3.17	6.82	3.21
	-8.5	-9.1	8.28	2.99	8.24	3.05	8.16	3.12	7.84	3.15	7.51	3.19	7.03	3.23
	-7	-7.6	8.53	3.02	8.48	3.09	8.40	3.15	8.07	3.18	7.73	3.23	7.23	3.27
	-5	-5.6	8.77	3.07	8.73	3.13	8.64	3.20	8.30	3.23	7.95	3.27	7.44	3.32
	-3	-3.7	9.01	3.11	8.97	3.18	8.88	3.25	8.53	3.28	8.18	3.32	7.65	3.36
	0	-0.7	9.26	3.18	9.21	3.25	9.12	3.32	8.76	3.35	8.40	3.39	7.85	3.44
	3	2.2	10.42	3.25	10.37	3.32	10.27	3.39	9.86	3.42	9.45	3.46	8.84	3.51
	5	4.1	11.77	3.29	11.71	3.36	11.60	3.43	11.14	3.47	10.68	3.51	9.99	3.56
	7	6	12.18	3.34	12.12	3.41	12.00	3.48	11.52	3.51	11.05	3.56	10.34	3.61
	9	7.9	12.18	3.23	12.12	3.29	12.00	3.36	11.52	3.40	11.05	3.44	10.34	3.49
	11	9.8	12.18	3.11	12.12	3.18	12.00	3.25	11.52	3.28	11.05	3.32	10.34	3.36
	13	11.8	12.18	3.00	12.12	3.07	12.00	3.13	11.52	3.16	11.05	3.20	10.34	3.24
15	13.7	12.18	2.89	12.12	2.95	12.00	3.01	11.52	3.04	11.05	3.08	10.34	3.12	
90%	-14.7	-15	6.58	2.53	6.54	2.58	6.48	2.64	6.22	2.66	5.97	2.70	5.58	2.73
	-12.6	-13	6.80	2.57	6.76	2.62	6.70	2.68	6.43	2.70	6.16	2.74	5.77	2.78
	-10.5	-11	7.02	2.61	6.98	2.67	6.91	2.72	6.64	2.75	6.36	2.79	5.95	2.82
	-9.5	-10	7.23	2.63	7.20	2.69	7.13	2.74	6.85	2.77	6.56	2.81	6.14	2.84
	-8.5	-9.1	7.45	2.65	7.42	2.71	7.34	2.76	7.05	2.79	6.76	2.83	6.33	2.87
	-7	-7.6	7.67	2.68	7.64	2.74	7.56	2.80	7.26	2.82	6.96	2.86	6.51	2.90
	-5	-5.6	7.89	2.72	7.85	2.78	7.78	2.84	7.47	2.86	7.16	2.90	6.70	2.94
	-3	-3.7	8.11	2.76	8.07	2.82	7.99	2.88	7.67	2.91	7.36	2.94	6.88	2.98
	0	-0.7	8.33	2.82	8.29	2.88	8.21	2.94	7.88	2.97	7.56	3.01	7.07	3.05
	3	2.2	9.38	2.88	9.33	2.94	9.24	3.00	8.87	3.03	8.51	3.07	7.96	3.11
	5	4.1	10.59	2.92	10.54	2.98	10.44	3.04	10.02	3.07	9.61	3.11	8.99	3.16
	7	6	10.96	2.96	10.91	3.02	10.80	3.09	10.37	3.12	9.94	3.16	9.30	3.20
	9	7.9	10.96	2.86	10.91	2.92	10.80	2.98	10.37	3.01	9.94	3.05	9.30	3.09
	11	9.8	10.96	2.76	10.91	2.82	10.80	2.88	10.37	2.91	9.94	2.94	9.30	2.98
	13	11.8	10.96	2.66	10.91	2.72	10.80	2.77	10.37	2.80	9.94	2.84	9.30	2.88
15	13.7	10.96	2.56	10.91	2.62	10.80	2.67	10.37	2.70	9.94	2.73	9.30	2.77	
80%	-14.7	-15	6.33	2.22	6.30	2.27	6.24	2.31	5.99	2.34	5.74	2.37	5.37	2.40
	-12.6	-13	6.53	2.26	6.50	2.30	6.43	2.35	6.18	2.38	5.92	2.41	5.54	2.44
	-10.5	-11	6.72	2.29	6.69	2.34	6.62	2.39	6.36	2.41	6.10	2.45	5.71	2.48
	-9.5	-10	7.31	2.31	7.27	2.36	7.20	2.41	6.91	2.43	6.63	2.46	6.20	2.50
	-8.5	-9.1	7.80	2.33	7.76	2.38	7.68	2.43	7.38	2.45	7.07	2.48	6.61	2.52
	-7	-7.6	8.28	2.35	8.24	2.40	8.16	2.45	7.84	2.48	7.51	2.51	7.03	2.54
	-5	-5.6	8.77	2.39	8.73	2.44	8.64	2.49	8.30	2.51	7.95	2.55	7.44	2.58
	-3	-3.7	8.87	2.42	8.82	2.48	8.74	2.53	8.39	2.55	8.04	2.59	7.52	2.62
	0	-0.7	9.35	2.48	9.31	2.53	9.22	2.58	8.85	2.61	8.48	2.64	7.94	2.68
	3	2.2	9.74	2.53	9.70	2.58	9.60	2.64	9.22	2.66	8.84	2.70	8.27	2.73
	5	4.1	9.74	2.56	9.70	2.62	9.60	2.67	9.22	2.70	8.84	2.73	8.27	2.77
	7	6	9.74	2.60	9.70	2.65	9.60	2.71	9.22	2.74	8.84	2.77	8.27	2.81
	9	7.9	9.74	2.51	9.70	2.56	9.60	2.62	9.22	2.64	8.84	2.68	8.27	2.71
	11	9.8	9.74	2.42	9.70	2.48	9.60	2.53	9.22	2.55	8.84	2.59	8.27	2.62
	13	11.8	9.74	2.34	9.70	2.39	9.60	2.44	9.22	2.46	8.84	2.49	8.27	2.53
15	13.7	9.74	2.25	9.70	2.30	9.60	2.35	9.22	2.37	8.84	2.40	8.27	2.43	

R410A Tropical DC Inverter Mini VRF 50Hz

Heating capacity table (TMV/MiN105HT3I<sup>3,42</sup>)

Combination (Capacity index)	Outdoor air temp.		Indoor temperature(°C DB)											
			16		18		20		21		22		24	
	°C DB	°C WB	TC	PI	TC	PI	TC	PI	TC	PI	TC	PI	TC	PI
70%	-14.7	-15	5.97	1.91	5.94	1.95	5.88	1.99	5.65	2.01	5.41	2.04	5.06	2.07
	-12.6	-13	6.14	1.94	6.11	1.98	6.05	2.03	5.81	2.05	5.57	2.07	5.21	2.10
	-10.5	-11	6.31	1.97	6.28	2.02	6.22	2.06	5.97	2.08	5.72	2.11	5.35	2.13
	-9.5	-10	6.82	1.99	6.79	2.03	6.72	2.07	6.45	2.09	6.19	2.12	5.79	2.15
	-8.5	-9.1	7.25	2.00	7.21	2.05	7.14	2.09	6.86	2.11	6.57	2.14	6.15	2.17
	-7	-7.6	7.67	2.03	7.64	2.07	7.56	2.11	7.26	2.13	6.96	2.16	6.51	2.19
	-5	-5.6	8.23	2.06	8.19	2.10	8.11	2.15	7.79	2.17	7.47	2.19	6.98	2.22
	-3	-3.7	8.53	2.09	8.48	2.13	8.40	2.18	8.07	2.20	7.73	2.23	7.23	2.26
	0	-0.7	8.53	2.13	8.48	2.18	8.40	2.22	8.07	2.24	7.73	2.27	7.23	2.30
	3	2.2	8.53	2.18	8.48	2.22	8.40	2.27	8.07	2.29	7.73	2.32	7.23	2.35
	5	4.1	8.53	2.21	8.48	2.25	8.40	2.30	8.07	2.32	7.73	2.35	7.23	2.39
	7	6	8.53	2.24	8.48	2.29	8.40	2.33	8.07	2.36	7.73	2.39	7.23	2.42
	9	7.9	8.53	2.16	8.48	2.21	8.40	2.25	8.07	2.28	7.73	2.31	7.23	2.34
	11	9.8	8.53	2.09	8.48	2.13	8.40	2.18	8.07	2.20	7.73	2.23	7.23	2.26
	13	11.8	8.53	2.01	8.48	2.06	8.40	2.10	8.07	2.12	7.73	2.15	7.23	2.17
15	13.7	8.53	1.94	8.48	1.98	8.40	2.02	8.07	2.04	7.73	2.07	7.23	2.09	
60%	-14.7	-15	7.31	1.60	7.27	1.64	7.20	1.67	6.91	1.69	6.63	1.71	6.20	1.73
	-12.6	-13	7.31	1.63	7.27	1.66	7.20	1.70	6.91	1.72	6.63	1.74	6.20	1.76
	-10.5	-11	7.31	1.66	7.27	1.69	7.20	1.73	6.91	1.74	6.63	1.77	6.20	1.79
	-9.5	-10	7.31	1.67	7.27	1.70	7.20	1.74	6.91	1.76	6.63	1.78	6.20	1.80
	-8.5	-9.1	7.31	1.68	7.27	1.72	7.20	1.75	6.91	1.77	6.63	1.79	6.20	1.82
	-7	-7.6	7.31	1.70	7.27	1.74	7.20	1.77	6.91	1.79	6.63	1.81	6.20	1.84
	-5	-5.6	7.31	1.73	7.27	1.76	7.20	1.80	6.91	1.82	6.63	1.84	6.20	1.87
	-3	-3.7	7.31	1.75	7.27	1.79	7.20	1.83	6.91	1.84	6.63	1.87	6.20	1.89
	0	-0.7	7.31	1.79	7.27	1.83	7.20	1.87	6.91	1.88	6.63	1.91	6.20	1.93
	3	2.2	7.31	1.83	7.27	1.87	7.20	1.90	6.91	1.92	6.63	1.95	6.20	1.97
	5	4.1	7.31	1.85	7.27	1.89	7.20	1.93	6.91	1.95	6.63	1.98	6.20	2.00
	7	6	7.31	1.88	7.27	1.92	7.20	1.96	6.91	1.98	6.63	2.00	6.20	2.03
	9	7.9	7.31	1.81	7.27	1.85	7.20	1.89	6.91	1.91	6.63	1.93	6.20	1.96
	11	9.8	7.31	1.75	7.27	1.79	7.20	1.83	6.91	1.84	6.63	1.87	6.20	1.89
	13	11.8	7.31	1.69	7.27	1.72	7.20	1.76	6.91	1.78	6.63	1.80	6.20	1.82
15	13.7	7.31	1.62	7.27	1.66	7.20	1.69	6.91	1.71	6.63	1.73	6.20	1.76	
50%	-14.7	-15	6.09	1.30	6.06	1.32	6.00	1.35	5.76	1.36	5.52	1.38	5.17	1.40
	-12.6	-13	6.09	1.32	6.06	1.34	6.00	1.37	5.76	1.39	5.52	1.40	5.17	1.42
	-10.5	-11	6.09	1.34	6.06	1.37	6.00	1.40	5.76	1.41	5.52	1.43	5.17	1.45
	-9.5	-10	6.09	1.35	6.06	1.38	6.00	1.41	5.76	1.42	5.52	1.44	5.17	1.46
	-8.5	-9.1	6.09	1.36	6.06	1.39	6.00	1.42	5.76	1.43	5.52	1.45	5.17	1.47
	-7	-7.6	6.09	1.37	6.06	1.40	6.00	1.43	5.76	1.45	5.52	1.47	5.17	1.48
	-5	-5.6	6.09	1.39	6.06	1.42	6.00	1.45	5.76	1.47	5.52	1.49	5.17	1.51
	-3	-3.7	6.09	1.41	6.06	1.44	6.00	1.47	5.76	1.49	5.52	1.51	5.17	1.53
	0	-0.7	6.09	1.44	6.06	1.48	6.00	1.51	5.76	1.52	5.52	1.54	5.17	1.56
	3	2.2	6.09	1.48	6.06	1.51	6.00	1.54	5.76	1.55	5.52	1.57	5.17	1.59
	5	4.1	6.09	1.50	6.06	1.53	5.80	1.56	5.76	1.57	5.52	1.56	5.17	1.62
	7	6	6.09	1.52	6.06	1.55	6.00	1.58	5.76	1.60	5.52	1.62	5.17	1.64
	9	7.9	6.09	1.47	6.06	1.50	6.00	1.53	5.76	1.54	5.52	1.56	5.17	1.58
	11	9.8	6.09	1.41	6.06	1.44	6.00	1.47	5.76	1.49	5.52	1.51	5.17	1.53
	13	11.8	6.09	1.36	6.06	1.39	6.00	1.42	5.76	1.44	5.52	1.45	5.17	1.47
15	13.7	6.09	1.31	6.06	1.34	6.00	1.37	5.76	1.38	5.52	1.40	5.17	1.42	

Heating capacity table (TMVMiN140HT3I<sup>3.41</sup>)

Combination (Capacity index)	Outdoor air temp.		Indoor temperature(°C DB)											
			16		18		20		21		22		24	
	°C DB	°C WB	TC	PI	TC	PI	TC	PI	TC	PI	TC	PI	TC	PI
130%	-14.7	-15	11.44	4.02	11.44	4.11	11.33	4.20	10.99	4.24	10.88	4.29	10.66	4.35
	-12.6	-13	11.82	4.09	11.82	4.18	11.71	4.27	11.36	4.31	11.24	4.36	11.02	4.42
	-10.5	-11	12.20	4.16	12.20	4.25	12.08	4.34	11.72	4.38	11.61	4.43	11.37	4.49
	-9.5	-10	12.59	4.19	12.59	4.28	12.46	4.37	12.09	4.41	11.97	4.47	11.73	4.53
	-8.5	-9.1	12.97	4.22	12.97	4.31	12.84	4.40	12.46	4.44	12.33	4.50	12.08	4.56
	-7	-7.6	13.35	4.27	13.35	4.36	13.22	4.45	12.82	4.49	12.70	4.55	12.44	4.61
	-5	-5.6	13.73	4.33	13.73	4.42	13.59	4.52	13.19	4.56	13.06	4.62	12.80	4.68
	-3	-3.7	14.11	4.40	14.11	4.49	13.97	4.58	13.56	4.63	13.42	4.69	13.15	4.75
	0	-0.7	14.49	4.49	14.49	4.59	14.35	4.68	13.92	4.73	13.78	4.79	13.51	4.85
	3	2.2	16.31	4.59	16.31	4.68	16.15	4.78	15.67	4.83	15.52	4.89	15.20	4.96
	5	4.1	18.43	4.65	18.43	4.75	18.24	4.85	17.70	4.89	17.53	4.96	17.17	5.02
	7	6	19.07	4.71	19.07	4.81	18.88	4.91	18.32	4.96	18.14	5.03	17.77	5.09
	9	7.9	19.07	4.55	19.07	4.65	18.88	4.75	18.32	4.79	18.14	4.86	17.77	4.92
	11	9.8	19.07	4.40	19.07	4.49	18.88	4.58	18.32	4.63	18.14	4.69	17.77	4.75
	13	11.8	19.07	4.24	19.07	4.33	18.88	4.42	18.32	4.46	18.14	4.52	17.77	4.58
15	13.7	19.07	4.08	19.07	4.17	18.88	4.25	18.32	4.29	18.14	4.35	17.77	4.41	
120%	-14.7	-15	10.96	3.96	10.96	4.04	10.85	4.12	10.42	4.16	9.99	4.22	9.40	4.27
	-12.6	-13	11.32	4.02	11.32	4.11	11.21	4.19	10.76	4.23	10.32	4.29	9.71	4.34
	-10.5	-11	11.69	4.09	11.69	4.17	11.57	4.26	11.11	4.30	10.65	4.36	10.02	4.42
	-9.5	-10	12.05	4.12	12.05	4.20	11.93	4.29	11.46	4.33	10.99	4.39	10.34	4.45
	-8.5	-9.1	12.42	4.15	12.42	4.24	12.29	4.32	11.81	4.37	11.32	4.42	10.65	4.48
	-7	-7.6	12.78	4.19	12.78	4.28	12.66	4.37	12.15	4.42	11.65	4.47	10.96	4.53
	-5	-5.6	13.15	4.26	13.15	4.35	13.02	4.44	12.50	4.48	11.98	4.54	11.27	4.60
	-3	-3.7	13.51	4.32	13.51	4.41	13.38	4.50	12.85	4.55	12.32	4.61	11.59	4.67
	0	-0.7	13.88	4.41	13.88	4.51	13.74	4.60	13.20	4.64	12.65	4.71	11.90	4.77
	3	2.2	15.62	4.51	15.62	4.60	15.47	4.70	14.85	4.74	14.24	4.81	13.40	4.87
	5	4.1	17.65	4.57	17.65	4.67	17.47	4.76	16.78	4.81	16.09	4.87	15.13	4.94
	7	6	18.26	4.63	18.26	4.73	18.08	4.83	17.36	4.87	16.65	4.94	15.66	5.00
	9	7.9	18.26	4.47	18.26	4.57	18.08	4.67	17.36	4.71	16.65	4.77	15.66	4.84
	11	9.8	18.26	4.32	18.26	4.41	18.08	4.50	17.36	4.55	16.65	4.61	15.66	4.67
	13	11.8	18.26	4.16	18.26	4.25	18.08	4.34	17.36	4.38	16.65	4.44	15.66	4.50
15	13.7	18.26	4.01	18.26	4.09	18.08	4.18	17.36	4.22	16.65	4.28	15.66	4.33	
110%	-14.7	-15	10.62	3.89	10.57	3.97	10.46	4.05	10.05	4.09	9.63	4.14	9.01	4.20
	-12.6	-13	10.97	3.95	10.92	4.03	10.81	4.12	10.38	4.16	9.95	4.21	9.31	4.27
	-10.5	-11	11.33	4.01	11.27	4.10	11.16	4.19	10.72	4.23	10.28	4.28	9.61	4.34
	-9.5	-10	11.68	4.04	11.63	4.13	11.51	4.22	11.05	4.26	10.60	4.31	9.91	4.37
	-8.5	-9.1	12.04	4.07	11.98	4.16	11.86	4.25	11.39	4.29	10.92	4.35	10.21	4.40
	-7	-7.6	12.39	4.12	12.33	4.21	12.21	4.30	11.72	4.34	11.24	4.40	10.51	4.45
	-5	-5.6	12.75	4.18	12.68	4.27	12.56	4.36	12.06	4.40	11.56	4.46	10.81	4.52
	-3	-3.7	13.10	4.24	13.03	4.33	12.91	4.42	12.39	4.47	11.88	4.53	11.12	4.59
	0	-0.7	13.45	4.33	13.39	4.43	13.25	4.52	12.73	4.56	12.20	4.62	11.42	4.68
	3	2.2	15.14	4.43	15.07	4.52	14.92	4.62	14.33	4.66	13.74	4.72	12.85	4.78
	5	4.1	17.11	4.49	17.02	4.58	16.85	4.68	16.18	4.72	15.52	4.79	14.52	4.85
	7	6	17.70	4.55	17.61	4.65	17.44	4.74	16.75	4.79	16.06	4.85	15.02	4.92
	9	7.9	17.70	4.40	17.61	4.49	17.44	4.58	16.75	4.63	16.06	4.69	15.02	4.75
	11	9.8	17.70	4.24	17.61	4.33	17.44	4.42	16.75	4.47	16.06	4.53	15.02	4.59
	13	11.8	17.70	4.09	17.61	4.18	17.44	4.27	16.75	4.31	16.06	4.36	15.02	4.42
15	13.7	17.70	3.94	17.61	4.02	17.44	4.11	16.75	4.15	16.06	4.20	15.02	4.26	



R410A Tropical DC Inverter Mini VRF 50Hz

Heating capacity table (TMV/MiN140HT3I<sup>3.41</sup>)

Combination (Capacity index)	Outdoor air temp.		Indoor temperature(°C DB)											
			16		18		20		21		22		24	
	°C DB	°C WB	TC	PI	TC	PI	TC	PI	TC	PI	TC	PI	TC	PI
100%	-14.7	-15	9.74	3.76	9.70	3.84	9.60	3.92	9.22	3.96	8.84	4.01	8.27	4.06
	-12.6	-13	10.07	3.82	10.02	3.90	9.92	3.99	9.53	4.02	9.13	4.08	8.54	4.13
	-10.5	-11	10.39	3.88	10.34	3.97	10.24	4.05	9.83	4.09	9.43	4.14	8.82	4.20
	-9.5	-10	10.72	3.91	10.67	4.00	10.56	4.08	10.14	4.12	9.72	4.17	9.10	4.23
	-8.5	-9.1	11.04	3.94	10.99	4.03	10.88	4.11	10.45	4.15	10.02	4.21	9.37	4.26
	-7	-7.6	11.37	3.99	11.31	4.07	11.20	4.16	10.76	4.20	10.31	4.25	9.65	4.31
	-5	-5.6	11.69	4.05	11.64	4.13	11.52	4.22	11.06	4.26	10.61	4.32	9.92	4.37
	-3	-3.7	12.02	4.11	11.96	4.19	11.84	4.28	11.37	4.32	10.90	4.38	10.20	4.44
	0	-0.7	12.34	4.20	12.28	4.28	12.16	4.37	11.68	4.42	11.19	4.47	10.47	4.53
	3	2.2	13.89	4.28	13.83	4.38	13.69	4.47	13.15	4.51	12.60	4.57	11.79	4.63
	5	4.1	15.69	4.34	15.62	4.44	15.46	4.53	14.85	4.57	14.23	4.63	13.32	4.69
	7	6	16.24	4.40	16.16	4.50	16.00	4.59	15.37	4.63	14.73	4.70	13.78	4.76
	9	7.9	16.24	4.25	16.16	4.35	16.00	4.44	15.37	4.48	14.73	4.54	13.78	4.60
	11	9.8	16.24	4.11	16.16	4.19	16.00	4.28	15.37	4.32	14.73	4.38	13.78	4.44
	13	11.8	16.24	3.96	16.16	4.04	16.00	4.13	15.37	4.17	14.73	4.22	13.78	4.28
15	13.7	16.24	3.81	16.16	3.89	16.00	3.97	15.37	4.01	14.73	4.06	13.78	4.12	
90%	-14.7	-15	8.77	3.33	8.73	3.41	8.64	3.48	8.30	3.51	7.95	3.56	7.44	3.60
	-12.6	-13	9.06	3.39	9.02	3.46	8.93	3.53	8.57	3.57	8.22	3.62	7.69	3.66
	-10.5	-11	9.35	3.44	9.31	3.52	9.22	3.59	8.85	3.63	8.48	3.67	7.94	3.72
	-9.5	-10	9.65	3.47	9.60	3.54	9.50	3.62	9.13	3.65	8.75	3.70	8.19	3.75
	-8.5	-9.1	9.94	3.50	9.89	3.57	9.79	3.65	9.40	3.68	9.01	3.73	8.43	3.78
	-7	-7.6	10.23	3.54	10.18	3.61	10.08	3.69	9.68	3.72	9.28	3.77	8.68	3.82
	-5	-5.6	10.52	3.59	10.47	3.67	10.37	3.74	9.96	3.78	9.55	3.83	8.93	3.88
	-3	-3.7	10.82	3.64	10.76	3.72	10.66	3.80	10.23	3.83	9.81	3.88	9.18	3.93
	0	-0.7	11.11	3.72	11.05	3.80	10.94	3.88	10.51	3.92	10.08	3.97	9.43	4.02
	3	2.2	12.50	3.80	12.44	3.88	12.32	3.96	11.83	4.00	11.34	4.05	10.61	4.10
	5	4.1	14.12	3.85	14.05	3.93	13.92	4.02	13.36	4.05	12.81	4.11	11.98	4.16
	7	6	14.62	3.90	14.54	3.99	14.40	4.07	13.83	4.11	13.26	4.16	12.40	4.22
	9	7.9	14.62	3.77	14.54	3.85	14.40	3.93	13.83	3.97	13.26	4.02	12.40	4.08
	11	9.8	14.62	3.64	14.54	3.72	14.40	3.80	13.83	3.83	13.26	3.88	12.40	3.94
	13	11.8	14.62	3.51	14.54	3.58	14.40	3.66	13.83	3.69	13.26	3.74	12.40	3.79
15	13.7	14.62	3.38	14.54	3.45	14.40	3.52	13.83	3.56	13.26	3.60	12.40	3.65	
80%	-14.7	-15	8.44	2.93	8.40	2.99	8.32	3.05	7.99	3.08	7.66	3.12	7.17	3.16
	-12.6	-13	8.70	2.98	8.66	3.04	8.58	3.10	8.24	3.13	7.90	3.17	7.39	3.22
	-10.5	-11	8.96	3.02	8.92	3.09	8.83	3.15	8.48	3.18	8.13	3.23	7.61	3.27
	-9.5	-10	9.74	3.05	9.70	3.11	9.60	3.18	9.22	3.21	8.84	3.25	8.27	3.29
	-8.5	-9.1	10.39	3.07	10.34	3.14	10.24	3.20	9.83	3.23	9.43	3.28	8.82	3.32
	-7	-7.6	11.04	3.10	10.99	3.17	10.88	3.24	10.45	3.27	10.02	3.31	9.37	3.36
	-5	-5.6	11.69	3.15	11.64	3.22	11.52	3.29	11.06	3.32	10.61	3.36	9.92	3.41
	-3	-3.7	11.82	3.20	11.76	3.27	11.65	3.33	11.19	3.37	10.72	3.41	10.03	3.46
	0	-0.7	12.47	3.27	12.41	3.34	12.29	3.41	11.80	3.44	11.31	3.48	10.58	3.53
	3	2.2	12.99	3.34	12.93	3.41	12.80	3.48	12.29	3.51	11.78	3.56	11.02	3.60
	5	4.1	12.99	3.38	12.93	3.45	12.80	3.53	12.29	3.56	11.78	3.61	11.02	3.65
	7	6	12.99	3.43	12.93	3.50	12.80	3.57	12.29	3.61	11.78	3.66	11.02	3.70
	9	7.9	12.99	3.31	12.93	3.38	12.80	3.45	12.29	3.49	11.78	3.53	11.02	3.58
	11	9.8	12.99	3.20	12.93	3.27	12.80	3.33	12.29	3.37	11.78	3.41	11.02	3.46
	13	11.8	12.99	3.08	12.93	3.15	12.80	3.21	12.29	3.24	11.78	3.29	11.02	3.33
15	13.7	12.99	2.97	12.93	3.03	12.80	3.09	12.29	3.12	11.78	3.16	11.02	3.21	

Heating capacity table (TMVMiN140HT3I<sup>3,41</sup>)

Combination (Capacity index)	Outdoor air temp.		Indoor temperature(°C DB)											
			16		18		20		21		22		24	
	°C DB	°C WB	TC	PI	TC	PI	TC	PI	TC	PI	TC	PI	TC	PI
70%	-14.7	-15	7.96	2.52	7.92	2.57	7.84	2.63	7.53	2.65	7.22	2.69	6.75	2.72
	-12.6	-13	8.18	2.56	8.14	2.62	8.06	2.67	7.74	2.70	7.42	2.73	6.95	2.77
	-10.5	-11	8.41	2.60	8.37	2.66	8.29	2.72	7.96	2.74	7.63	2.78	7.14	2.81
	-9.5	-10	9.09	2.62	9.05	2.68	8.96	2.74	8.60	2.76	8.25	2.80	7.72	2.84
	-8.5	-9.1	9.66	2.64	9.62	2.70	9.52	2.76	9.14	2.78	8.76	2.82	8.20	2.86
	-7	-7.6	10.23	2.67	10.18	2.73	10.08	2.79	9.68	2.81	9.28	2.85	8.68	2.89
	-5	-5.6	10.97	2.71	10.92	2.77	10.81	2.83	10.38	2.86	9.95	2.89	9.31	2.93
	-3	-3.7	11.37	2.75	11.31	2.81	11.20	2.87	10.76	2.90	10.31	2.94	9.65	2.98
	0	-0.7	11.37	2.81	11.31	2.87	11.20	2.93	10.76	2.96	10.31	3.00	9.65	3.04
	3	2.2	11.37	2.87	11.31	2.93	11.20	2.99	10.76	3.02	10.31	3.06	9.65	3.10
	5	4.1	11.37	2.91	11.31	2.97	11.20	3.04	10.76	3.07	10.31	3.11	9.65	3.15
	7	6	11.37	2.95	11.31	3.01	11.20	3.08	10.76	3.11	10.31	3.15	9.65	3.19
	9	7.9	11.37	2.85	11.31	2.91	11.20	2.97	10.76	3.00	10.31	3.04	9.65	3.08
	11	9.8	11.37	2.75	11.31	2.81	11.20	2.87	10.76	2.90	10.31	2.94	9.65	2.98
	13	11.8	11.37	2.65	11.31	2.71	11.20	2.77	10.76	2.79	10.31	2.83	9.65	2.87
15	13.7	11.37	2.56	11.31	2.61	11.20	2.66	10.76	2.69	10.31	2.73	9.65	2.76	
60%	-14.7	-15	9.74	2.11	9.70	2.16	9.60	2.20	9.22	2.23	8.84	2.26	8.27	2.29
	-12.6	-13	9.74	2.15	9.70	2.20	9.60	2.24	9.22	2.26	8.84	2.29	8.27	2.32
	-10.5	-11	9.74	2.18	9.70	2.23	9.60	2.28	9.22	2.30	8.84	2.33	8.27	2.36
	-9.5	-10	9.74	2.20	9.70	2.25	9.60	2.30	9.22	2.32	8.84	2.35	8.27	2.38
	-8.5	-9.1	9.74	2.22	9.70	2.27	9.60	2.31	9.22	2.33	8.84	2.37	8.27	2.40
	-7	-7.6	9.74	2.24	9.70	2.29	9.60	2.34	9.22	2.36	8.84	2.39	8.27	2.42
	-5	-5.6	9.74	2.28	9.70	2.32	9.60	2.37	9.22	2.40	8.84	2.43	8.27	2.46
	-3	-3.7	9.74	2.31	9.70	2.36	9.60	2.41	9.22	2.43	8.84	2.46	8.27	2.50
	0	-0.7	9.74	2.36	9.70	2.41	9.60	2.46	9.22	2.48	8.84	2.52	8.27	2.55
	3	2.2	9.74	2.41	9.70	2.46	9.60	2.51	9.22	2.54	8.84	2.57	8.27	2.60
	5	4.1	9.74	2.44	9.70	2.49	9.60	2.55	9.22	2.57	8.84	2.61	8.27	2.64
	7	6	9.74	2.48	9.70	2.53	9.60	2.58	9.22	2.61	8.84	2.64	8.27	2.68
	9	7.9	9.74	2.39	9.70	2.44	9.60	2.49	9.22	2.52	8.84	2.55	8.27	2.59
	11	9.8	9.74	2.31	9.70	2.36	9.60	2.41	9.22	2.43	8.84	2.46	8.27	2.50
	13	11.8	9.74	2.23	9.70	2.27	9.60	2.32	9.22	2.34	8.84	2.37	8.27	2.41
15	13.7	9.74	2.14	9.70	2.19	9.60	2.23	9.22	2.26	8.84	2.29	8.27	2.32	
50%	-14.7	-15	8.12	1.71	8.08	1.74	8.00	1.78	7.68	1.80	7.37	1.82	6.89	1.85
	-12.6	-13	8.12	1.74	8.08	1.77	8.00	1.81	7.68	1.83	7.37	1.85	6.89	1.88
	-10.5	-11	8.12	1.76	8.08	1.80	8.00	1.84	7.68	1.86	7.37	1.88	6.89	1.91
	-9.5	-10	8.12	1.78	8.08	1.82	8.00	1.85	7.68	1.87	7.37	1.90	6.89	1.92
	-8.5	-9.1	8.12	1.79	8.08	1.83	8.00	1.87	7.68	1.89	7.37	1.91	6.89	1.94
	-7	-7.6	8.12	1.81	8.08	1.85	8.00	1.89	7.68	1.91	7.37	1.93	6.89	1.96
	-5	-5.6	8.12	1.84	8.08	1.88	8.00	1.92	7.68	1.94	7.37	1.96	6.89	1.99
	-3	-3.7	8.12	1.87	8.08	1.91	8.00	1.95	7.68	1.96	7.37	1.99	6.89	2.02
	0	-0.7	8.12	1.91	8.08	1.95	8.00	1.99	7.68	2.01	7.37	2.03	6.89	2.06
	3	2.2	8.12	1.95	8.08	1.99	8.00	2.03	7.68	2.05	7.37	2.08	6.89	2.10
	5	4.1	8.12	1.97	8.08	2.02	7.73	2.06	7.68	2.08	7.37	2.06	6.89	2.13
	7	6	8.12	2.00	8.08	2.04	8.00	2.09	7.68	2.11	7.37	2.13	6.89	2.16
	9	7.9	8.12	1.93	8.08	1.97	8.00	2.02	7.68	2.03	7.37	2.06	6.89	2.09
	11	9.8	8.12	1.87	8.08	1.91	8.00	1.95	7.68	1.96	7.37	1.99	6.89	2.02
	13	11.8	8.12	1.80	8.08	1.84	8.00	1.88	7.68	1.89	7.37	1.92	6.89	1.94
15	13.7	8.12	1.73	8.08	1.77	8.00	1.81	7.68	1.82	7.37	1.85	6.89	1.87	

## 6. Electric characteristics

Model	Power Supply				Current			Compressor		OFM	
	Hz	Voltage	Min.	Max.	MCA	TOCA	MFA	MSC	RLA	kW	FLA
TMVMiN105HT3  <sup>3.42</sup>	50	380-415	342	440	11.6	15	25	/	9.3	0.1×2	0.8×2
TMVMiN140HT3  <sup>3.41</sup>	50	380-415	342	440	15	15	25	/	12	0.1×2	0.8×2

Note:

MCA: Min. Current Amps. (A)

TOCA: Total Over-current Amps. (A)

MFA: Max. Fuse Amps. (A)

MSC: Max. Starting Amps. (A)

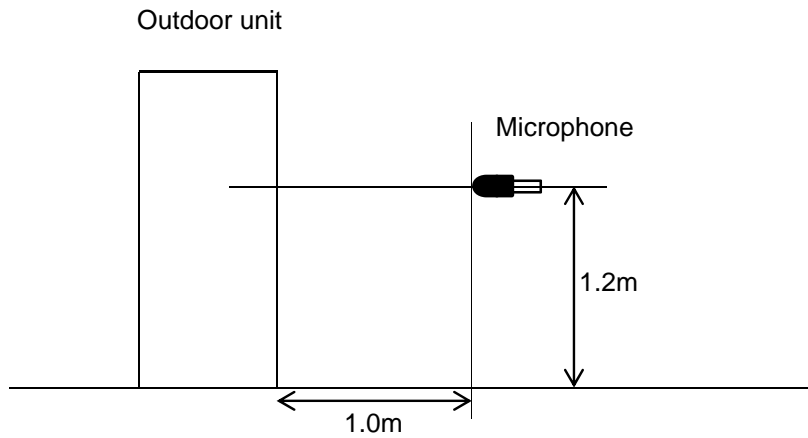
RLA: Rated Locked Amps. (A)

OFM: Outdoor Fan Motor.

FLA: Full Load Amps. (A)

kW: Rated Motor Output (kW)

## 7. Sound levels



model	Sound Pressure Level dB(A)
TMVMiN105HT3  <sup>3.42</sup>	52
TMVMiN140HT3  <sup>3.41</sup>	52



Air Conditioning Systems

Cooling & Heating

**TRUST AIR-CONDITIONING EQUIPMENT CO.**

Shiraz office: 8 th floor, Alvand Bldg., Dostan St.,  
Moaliabad Ave., SHIRAZ, IRAN., Post code: 71877-14446

Tel.: +98-71-36341070

Fax.: +98-71-36341094

Tehran office: No. 19- koohe nour St.- Motahhari St.-

TEHRAN, IRAN., Post code: 15876-73111

Tel.: +98-21-89389

Fax.: +98-21-88541903

Ahwaz office: No. 309- Kaveh St.- AHWAZ, IRAN., Post code: 61939-47911

Tel.: +98-61-32230647-8 E-mail: [info@trustacs.com](mailto:info@trustacs.com)

Fax.: +98-61-32230647 Web site: <http://www.trustacs.com>

برند برتر در اولین جشنواره بین المللی  
برترین نام و نشان های تجاری ایران

