

COMPACT FOUR-WAY CASSETTE VRF INDOOR UNIT



TRUST AIR CONDITIONING EQUIPMENT CO.
Prepared By: Engineering & R & D Department.

Compact Four-way Cassette Type

1. Features	2
2. Specifications	3
3. Dimensions	5
4. Service Spaces	6
5. Piping Diagrams (EXV beside)	7
6. Wiring Diagrams	7
7. Capacity Tables	9
8. Electrical Characteristics	13
9. Sound Levels	14
10. Accessories	17

توجه:

شرکت تراست حق تغییر مشخصات دستگاه ها را در جهت بهبود و ارتقای کیفیت برای خود محفوظ می دارد.

GEFÍ ĒĒ

1. Features

(1) Low operation noise, quiet design for user comfort

- Streamline plate ensures quietness
- Creates natural and comfortable environment

(2) Efficient cooling

- Equal, fast and wide—range cooling

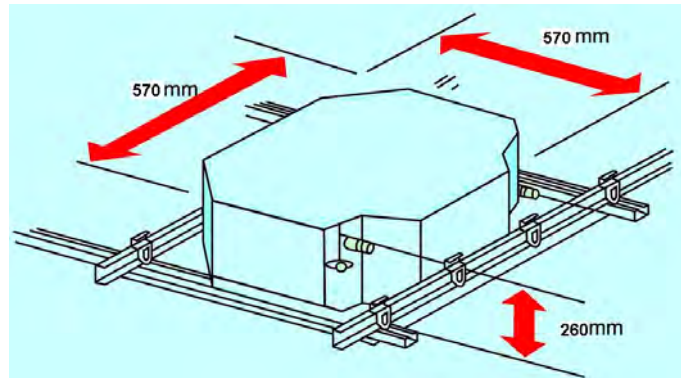


(3) The adoption of the most advanced 3- Dimensional Screw fan

- Reduces the air resistance passing through
- Smooths air flow
- Makes air speed distribution to the heat exchange uniform

(4) Improvement for easy installation and maintenance

- Little space is required for installation into a shallow ceiling,
- Extremely compact casing (**570mm in width and depth**) enables unit to fit flush into ceilings and match standard architectural modules
- Because of the compactness and weight reduction of the main unit and panel, all models can be installed without a hoist



(5) 360° Air Flow Panel

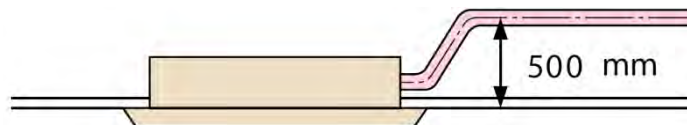
- 360° air outlet makes equal, fast and wide range cooling



(6) Optimal design, smaller Control Box, space saving and convenient for wiring

Using fire resistance galvanized steel for E-box material. Metal box makes the control part more stable and prevents damaging

(7) Drain up pump with 500mm pump head fitted as standard, max. up to 600mm head which can be customized.



(8) Auto restart

When the indoor unit is powered off, it will auto restart when powered on again after 3 minutes and operate in the original state.

2. Specifications

Model			TMVP4N015/I4RY1S	TMVP4N022/I4RY1S
Power supply		V-ph-Hz	220~240-1-50	220~240-1-50
Cooling	Capacity	kW	1.5	2.2
	Input	W	36	50
	Rated current	A	0.22	0.22
Heating	Capacity	kW	1.7	2.4
	Input	W	36	50
	Rated current	A	0.22	0.22
Indoor fan motor	Model		YDK15-6M	YDK15-6M
	Type		AC motor	AC Motor
	Input	W	33	34.3
	Capacitor	uF	1.0uF/450V	1.2uF/450V
	Speed(h/m/l)	r/min	630/540/447	658/586/485
Indoor coil	Number of rows		1	1
	Tube pitch(a)x row pitch(b)	mm	21x13.37	21x13.37
	Fin spacing	mm	1.3	1.3
	Fin type (code)		Hydrophilic aluminium	Hydrophilic aluminium
	Tube outside dia. and type	mm	Φ7	Φ7
			Inner groove tube	Inner groove tube
	Coil length x height x width	mm	1310x210x13.37	1310x210x13.37
Number of circuits		1	2	
Indoor air flow (SHH/M/L)		m3/h	501/435/283/208	522/414/313/238
Sound level (sound pressure) (H/M/L)		dB(A)	34.9/32.5/22.5	35.8/33.4/23.4
Indoor unit	Dimension (W x H x D)	mm	570x260x570	570x260x570
	Packing (W x H x D)	mm	675x285x675	675x285x675
	Net/Gross weight	kg	16/19.5	16/20
Panel	Dimension (W x H x D)	mm	647x50x647	647x50x647
	Packing (W x H x D)	mm	715x123x715	715x123x715
	Net/Gross weight	kg	2.5/4.5	2.5/4.5
Refrigerant Type			R410a	R410a
Throttle	Type		Electronical expansive valve	Electronical expansive valve
	Method		DPF(Q)1.65C-63	BD20FKS(L)
Design pressure(H/L)		MPa	4.4/2.6	4.4/2.6
Refrigerant piping	Liquid side/ Gas side	mm	Φ6.35/Φ12.7	Φ6.35/Φ12.7
Connection wiring	Power wiring	mm ²	3x2.5	3x2.0
	Signal wiring	mm ²	3x0.75 (3-core shielded wire)	3x0.75 (3-core shielded wire)
Drainage water pipe diameter		mm	ODΦ25	ODΦ25
Controller			Wireless remote controller (RM05/BG(T)E-A) (Standard)	

Notes:

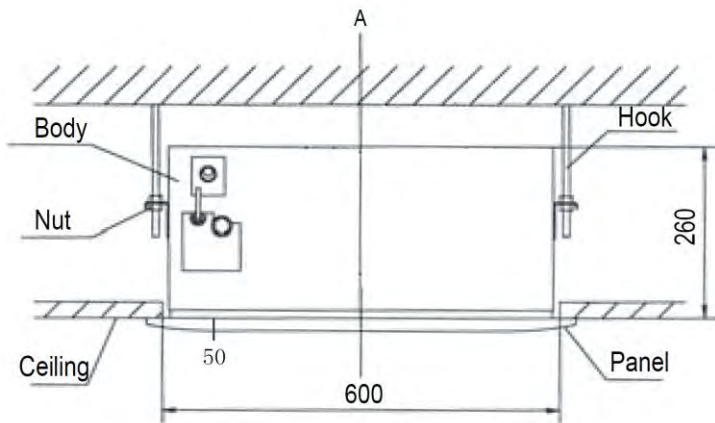
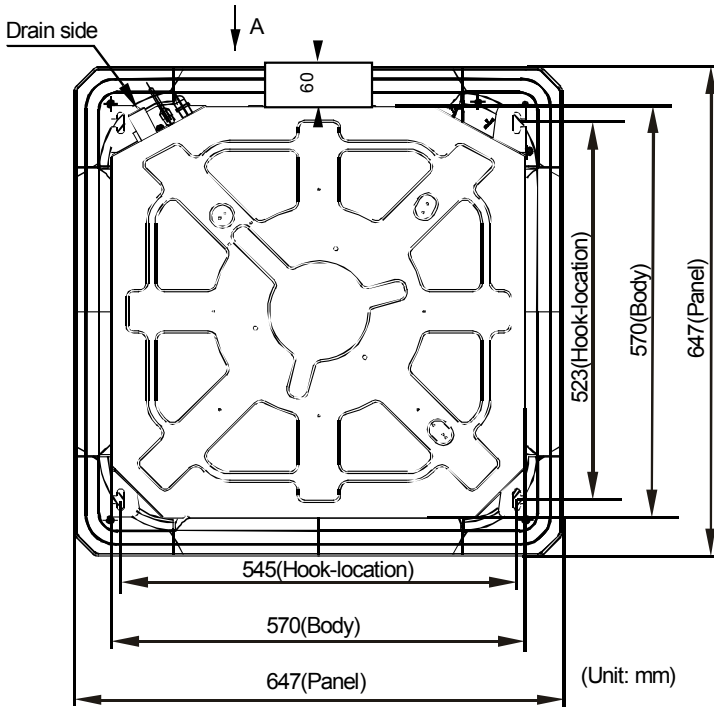
- Nominal cooling capacities are based on the following conditions: return air temperature: 27°CDB, 19°CWB, and outdoor temperature: 35°CDB, equivalent ref. piping: 8m (horizontal)
- Nominal heating capacities are based on the following conditions: return air temperature: 20°CDB, outdoor temperature: 7°CDB, 6°CWB, and equivalent ref. Piping: 8m (horizontal)
- 1.5kW model is only available for V4 Plus and MINI VRF system.

Model			TMVP4N028/I4RY1S	TMVP4N036/I4RY1S	TMVP4N045/I4RY1S	
Power supply		V-ph-Hz	220~240-1-50	220~240-1-50	220~240-1-50	
Cooling	Capacity	kW	2.8	3.6	4.5	
	Input	W	50	56	56	
	Rated current	A	0.22	0.25	0.25	
Heating	Capacity	kW	3.2	4.0	5.0	
	Input	W	50	56	56	
	Rated current	A	0.22	0.25	0.25	
Indoor fan motor	Model		YDK15-6M	YDK15-6P	YDK15-6P	
	Type		AC Motor	AC Motor	AC Motor	
	Input	W	34.3	47.1	47.1	
	Capacitor	uF	1.2uF/450V	1.5uF/450V	1.5uF/450V	
	Speed(h/m/l)	r/min	658/586/485	780/670/540	780/670/540	
Indoor coil	Number of rows		1	2	2	
	Tube pitch(a)x row pitch(b)	mm	21x13.37	21x13.37	21x13.37	
	Fin spacing	mm	1.3	1.3	1.3	
	Fin type (code)		Hydrophilic aluminium			
	Tube outside dia. and type	mm	Φ7	Φ7	Φ7	
	Coil length x height x width		mm	1310x210x13.37	1310x210x26.74	1310x210x26.74
	Number of circuits			2	4	4
Indoor air flow (H/M/L)		m3/h	522/414/313/238	610/521/409/314	610/521/409/314	
Sound level (sound pressure) (H/M/L)		dB(A)	35.8/33.4/23.4	41.5/35.6/28.8	41.5/35.6/28.8	
Indoor unit	Dimension (W x H x D)	mm	570x260x570	570x260x570	570x260x570	
	Packing (W x H x D)	mm	675x285x675	675x285x675	675x285x675	
	Net/Gross weight	kg	16/20	18/22	18/22	
Panel	Dimension (W x H x D)	mm	647x50x647	647x50x647	647x50x647	
	Packing (W x H x D)	mm	715x123x715	715x123x715	715x123x715	
	Net/Gross weight	kg	2.5/4.5	2.5/4.5	2.5/4.5	
Refrigerant Type			R410a	R410a	R410a	
Throttle		Type	BD20FKS(L)			
		Method	Electrical expansive valve			
Design pressure(H/L)		MPa	4.4/2.6	4.4/2.6	4.4/2.6	
Refrigerant piping	Liquid side/ Gas side	mm	6.35/12.7	6.35/12.7	6.35/12.7	
Connection wiring	Power wiring	mm ²	3x2.0	3x2.0	3x2.0	
	Signal wiring	mm ²	3x0.75 (3-core shielded wire)			
Drainage water pipe diameter		mm	ODΦ25	ODΦ25	ODΦ25	
Controller			Wireless remote controller (RM05/BG(T)E-A) (Standard)			

Notes:

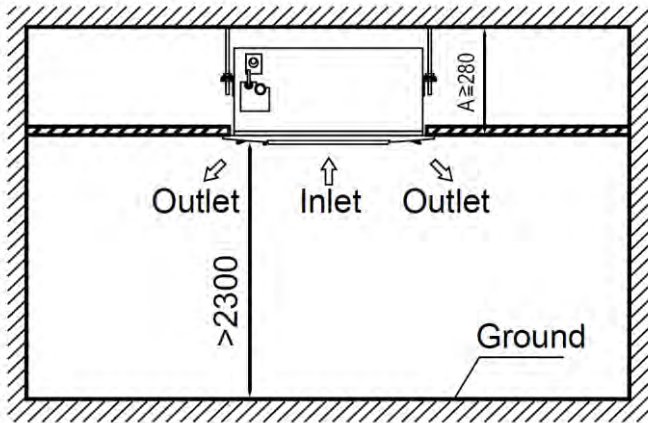
- Nominal cooling capacities are based on the following conditions: return air temperature: 27°CDB, 19°CWB, and outdoor temperature: 35°CDB, equivalent ref. piping: 8m (horizontal)
- Nominal heating capacities are based on the following conditions: return air temperature: 20°CDB, outdoor temperature: 7°CDB, 6°CWB, and equivalent ref. Piping: 8m (horizontal)
- 1.5kW model is only available for V4 Plus system and MINI VRF system

3. Dimensions

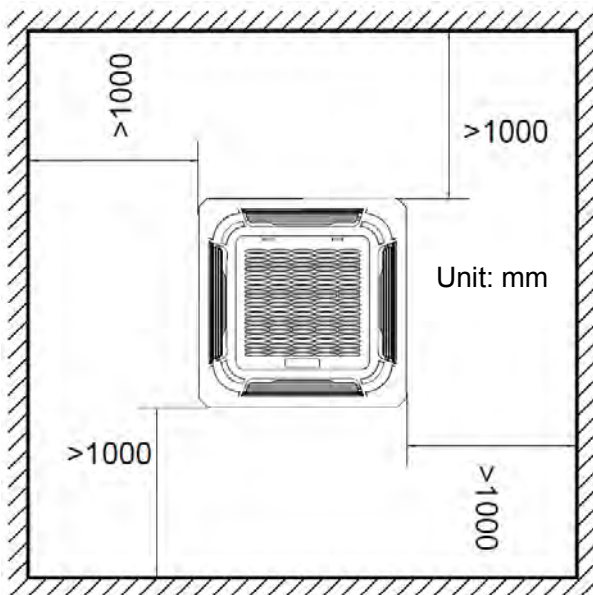


4. Service Spaces

- 1) There is enough room for installation and maintenance.
- 2) The ceiling is horizontal, and its structure can endure the weight of the indoor unit.
- 3) The outlet and the inlet are not impeded, and the influence of external air is the least.
- 4) The air flow can reach throughout the room.
- 5) The connecting pipe and drainpipe could be extracted out easily.
- 6) There is no direct radiation from heaters.

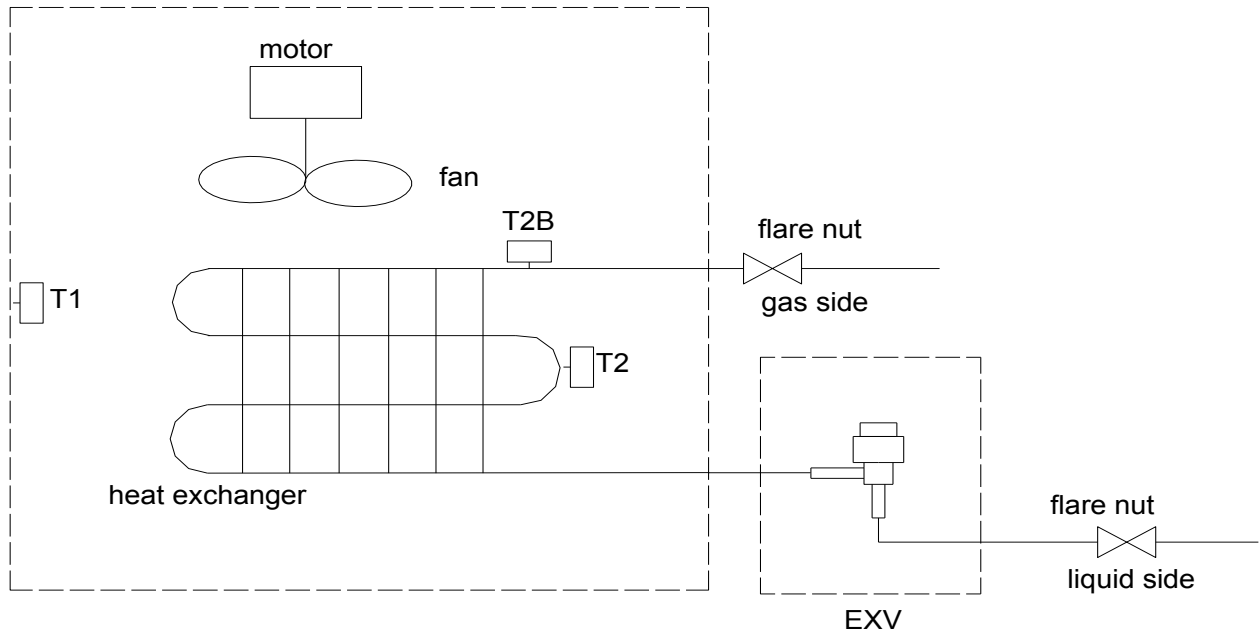


- Keep more than 2.3m distance between the panel and ground of the room.



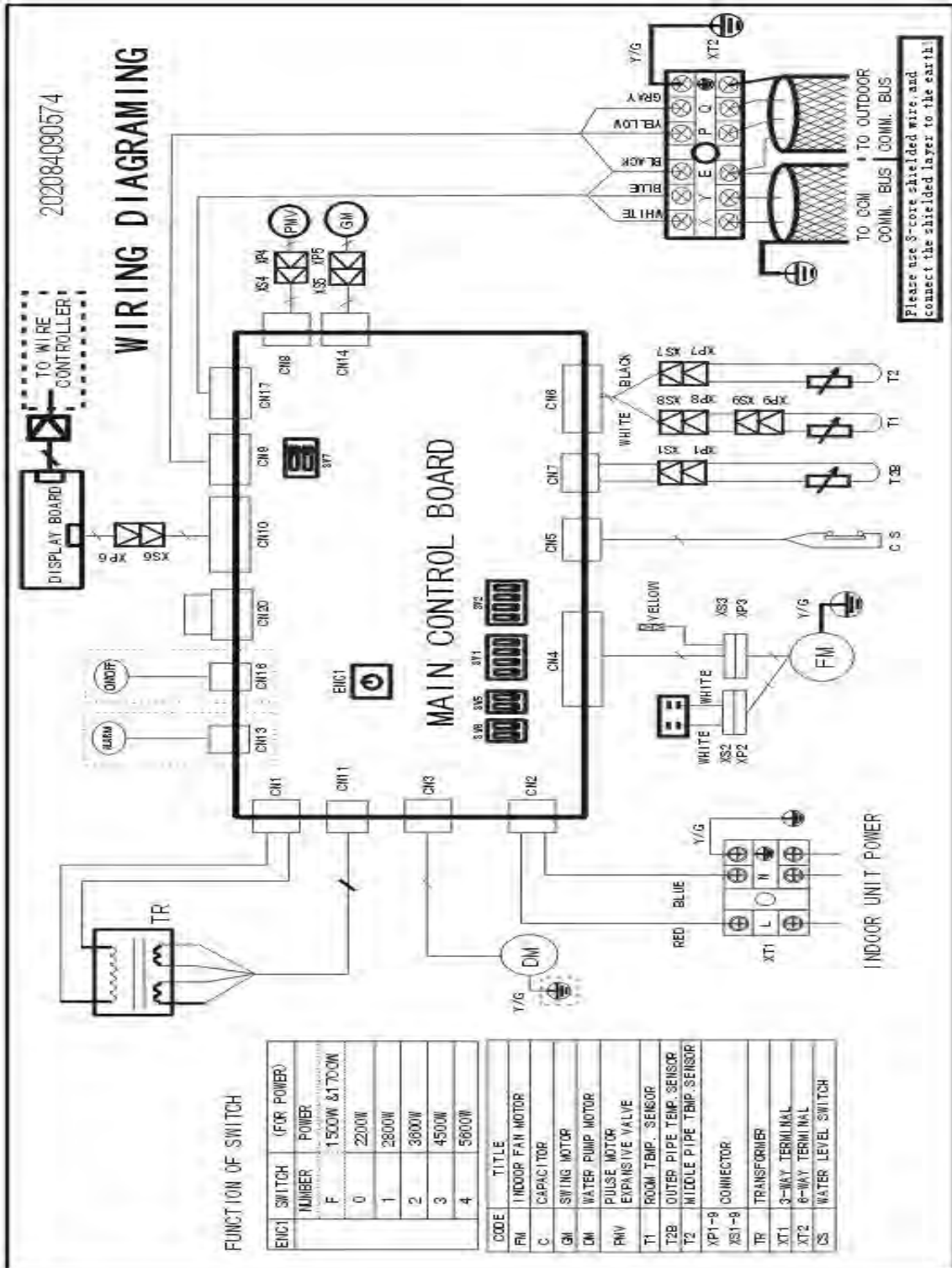
- Keep at least 1m to the wall of each side.

5. Piping Diagrams (EXV beside)



6. Wiring Diagrams

TMVP4N015/I4RY1S, TMVP4N022/I4RY1S, TMVP4N028/I4RY1S, TMVP4N036/I4RY1S, TMVP4N045/I4RY1S



7. Capacity Tables

7.1 Cooling

TC: total capacity SC: sensible capacity WB: wet-bulb temperature DB: dry-bulb temperature

Indoor Unit size (kW)	Outdoor temperature (°C DB)	Indoor temperature (°C WB/DB)													
		14/20		16/23		18/26		19/27		20/28		22/30		24/32	
		TC	SC	TC	SC	TC	SC	TC	SC	TC	SC	TC	SC	TC	SC
		kW	kW	kW	kW	kW	kW	kW	kW	kW	kW	kW	kW	kW	kW
1.5	10.0	1.0	0.9	1.2	0.9	1.4	1.0	1.5	1.0	1.6	1.1	1.8	1.1	2.0	1.1
	12.0	1.0	0.9	1.2	0.9	1.4	1.0	1.5	1.0	1.6	1.1	1.8	1.1	1.9	1.0
	14.0	1.0	0.9	1.2	0.9	1.4	1.0	1.5	1.0	1.6	1.1	1.8	1.1	1.9	1.0
	16.0	1.0	0.9	1.2	0.9	1.4	1.0	1.5	1.0	1.6	1.1	1.8	1.1	1.9	1.0
	18.0	1.0	0.9	1.2	0.9	1.4	1.0	1.5	1.0	1.6	1.1	1.8	1.1	1.9	1.0
	20.0	1.0	0.9	1.2	0.9	1.4	1.0	1.5	1.0	1.6	1.1	1.8	1.1	1.8	1.0
	21.0	1.0	0.9	1.2	0.9	1.4	1.0	1.5	1.0	1.6	1.1	1.8	1.1	1.8	1.0
	23.0	1.0	0.9	1.2	0.9	1.4	1.0	1.5	1.0	1.6	1.1	1.7	1.0	1.8	1.0
	25.0	1.0	0.9	1.2	0.9	1.4	1.0	1.5	1.0	1.6	1.1	1.7	1.0	1.8	0.9
	27.0	1.0	0.9	1.2	0.9	1.4	1.0	1.5	1.0	1.6	1.1	1.7	1.0	1.8	0.9
	29.0	1.0	0.9	1.2	0.9	1.4	1.0	1.5	1.0	1.6	1.1	1.7	1.0	1.7	0.9
	31.0	1.0	0.9	1.2	0.9	1.4	1.0	1.5	1.0	1.6	1.1	1.7	1.0	1.7	0.9
	33.0	1.0	0.9	1.2	0.9	1.4	1.0	1.5	1.0	1.6	1.1	1.7	1.0	1.7	1.0
	35.0	1.0	0.9	1.2	0.9	1.4	1.0	1.5	1.0	1.6	1.1	1.6	0.9	1.7	1.0
	37.0	1.0	0.9	1.2	0.9	1.4	1.0	1.5	1.0	1.6	1.1	1.6	0.9	1.6	0.9
	39.0	1.0	0.9	1.2	0.9	1.4	1.0	1.5	1.0	1.5	1.0	1.6	0.9	1.6	0.9
42.0	1.0	0.9	1.2	0.9	1.4	1.0	1.5	1.0	1.5	1.0	1.6	0.9	1.6	0.9	
44.0	1.0	0.9	1.2	0.9	1.4	1.0	1.5	1.0	1.5	1.0	1.6	0.9	1.6	0.9	
46.0	1.0	0.9	1.2	1.0	1.4	1.0	1.5	1.0	1.5	1.0	1.6	0.9	1.6	0.9	
2.2	10.0	1.5	1.4	1.8	1.5	2.1	1.6	2.2	1.6	2.3	1.7	2.6	1.7	2.9	1.7
	12.0	1.5	1.4	1.8	1.5	2.1	1.6	2.2	1.6	2.3	1.7	2.6	1.7	2.8	1.6
	14.0	1.5	1.4	1.8	1.5	2.1	1.6	2.2	1.6	2.3	1.7	2.6	1.7	2.8	1.6
	16.0	1.5	1.4	1.8	1.5	2.1	1.6	2.2	1.6	2.3	1.7	2.6	1.7	2.8	1.6
	18.0	1.5	1.4	1.8	1.5	2.1	1.6	2.2	1.6	2.3	1.7	2.6	1.7	2.8	1.6
	20.0	1.5	1.4	1.8	1.5	2.1	1.6	2.2	1.6	2.3	1.7	2.6	1.7	2.7	1.5
	21.0	1.5	1.4	1.8	1.5	2.1	1.6	2.2	1.6	2.3	1.7	2.6	1.7	2.7	1.5
	23.0	1.5	1.4	1.8	1.5	2.1	1.6	2.2	1.6	2.3	1.7	2.5	1.6	2.7	1.5
	25.0	1.5	1.4	1.8	1.5	2.1	1.6	2.2	1.6	2.3	1.7	2.5	1.6	2.6	1.5
	27.0	1.5	1.4	1.8	1.5	2.1	1.6	2.2	1.6	2.3	1.7	2.5	1.6	2.6	1.5
	29.0	1.5	1.4	1.8	1.5	2.1	1.6	2.2	1.6	2.3	1.7	2.4	1.5	2.5	1.5
	31.0	1.5	1.4	1.8	1.5	2.1	1.6	2.2	1.6	2.3	1.7	2.4	1.5	2.5	1.5
	33.0	1.5	1.4	1.8	1.5	2.1	1.6	2.2	1.6	2.3	1.7	2.4	1.5	2.4	1.5
	35.0	1.5	1.4	1.8	1.5	2.1	1.6	2.2	1.6	2.3	1.7	2.3	1.5	2.4	1.5
	37.0	1.5	1.4	1.8	1.5	2.1	1.6	2.2	1.6	2.3	1.7	2.3	1.5	2.3	1.5
	39.0	1.5	1.4	1.8	1.5	2.1	1.6	2.2	1.6	2.2	1.6	2.3	1.5	2.3	1.5
42.0	1.5	1.4	1.8	1.5	2.1	1.6	2.2	1.6	2.2	1.6	2.3	1.5	2.3	1.5	
44.0	1.5	1.4	1.8	1.5	2.1	1.6	2.2	1.6	2.2	1.6	2.3	1.5	2.3	1.5	
46.0	1.5	1.4	1.8	1.5	2.1	1.6	2.2	1.6	2.2	1.6	2.3	1.5	2.3	1.5	
2.8	10.0	1.9	1.6	2.3	1.8	2.6	1.9	2.8	1.9	3.0	1.9	3.3	2.0	3.7	2.0
	12.0	1.9	1.6	2.3	1.8	2.6	1.9	2.8	1.9	3.0	1.9	3.3	2.0	3.6	2.0
	14.0	1.9	1.6	2.3	1.8	2.6	1.9	2.8	1.9	3.0	1.9	3.3	2.0	3.6	2.0
	16.0	1.9	1.6	2.3	1.8	2.6	1.9	2.8	1.9	3.0	1.9	3.3	2.0	3.5	1.9
	18.0	1.9	1.6	2.3	1.8	2.6	1.9	2.8	1.9	3.0	1.9	3.3	2.0	3.5	1.9
	20.0	1.9	1.6	2.3	1.8	2.6	1.9	2.8	1.9	3.0	1.9	3.3	2.0	3.4	1.9
	21.0	1.9	1.6	2.3	1.8	2.6	1.9	2.8	1.9	3.0	1.9	3.3	2.0	3.4	1.9
	23.0	1.9	1.6	2.3	1.8	2.6	1.9	2.8	1.9	3.0	1.9	3.3	2.0	3.4	1.9
	25.0	1.9	1.6	2.3	1.8	2.6	1.9	2.8	1.9	3.0	1.9	3.2	1.9	3.3	1.9
	27.0	1.9	1.6	2.3	1.8	2.6	1.9	2.8	1.9	3.0	1.9	3.2	1.9	3.3	1.9
	29.0	1.9	1.6	2.3	1.8	2.6	1.9	2.8	1.9	3.0	1.9	3.1	1.8	3.2	1.8
	31.0	1.9	1.6	2.3	1.8	2.6	1.9	2.8	1.9	3.0	1.9	3.1	1.8	3.2	1.7
	33.0	1.9	1.6	2.3	1.8	2.6	1.9	2.8	1.9	3.0	1.9	3.1	1.8	3.1	1.7
	35.0	1.9	1.6	2.3	1.8	2.6	1.9	2.8	1.9	2.9	1.9	3.0	1.8	3.1	1.7
	37.0	1.9	1.6	2.3	1.8	2.6	1.9	2.8	1.9	2.9	1.9	3.0	1.8	3.0	1.7
	39.0	1.9	1.6	2.3	1.8	2.6	1.9	2.8	1.9	2.9	1.9	3.0	1.9	3.0	1.7
42.0	1.9	1.6	2.3	1.8	2.6	1.9	2.8	1.9	2.9	1.9	3.0	1.9	3.0	1.7	

	44.0	1.9	1.6	2.3	1.8	2.6	1.9	2.8	1.9	2.9	1.9	3.0	1.9	3.0	1.7
	46.0	1.9	1.6	2.3	1.8	2.6	1.9	2.8	1.9	2.9	1.9	3.0	1.9	3.0	1.7
3.6	10.0	2.5	1.9	2.9	2.1	3.4	2.3	3.6	2.4	3.8	2.5	4.3	2.4	4.7	2.5
	12.0	2.5	1.9	2.9	2.1	3.4	2.3	3.6	2.4	3.8	2.5	4.3	2.4	4.7	2.5
	14.0	2.5	1.9	2.9	2.1	3.4	2.3	3.6	2.4	3.8	2.5	4.3	2.4	4.6	2.4
	16.0	2.5	1.9	2.9	2.1	3.4	2.3	3.6	2.4	3.8	2.5	4.3	2.4	4.5	2.4
	18.0	2.5	1.9	2.9	2.1	3.4	2.3	3.6	2.4	3.8	2.5	4.3	2.4	4.5	2.4
	20.0	2.5	1.9	2.9	2.1	3.4	2.3	3.6	2.4	3.8	2.5	4.3	2.4	4.4	2.3
	21.0	2.5	1.9	2.9	2.1	3.4	2.3	3.6	2.4	3.8	2.5	4.3	2.4	4.4	2.3
	23.0	2.5	1.9	2.9	2.1	3.4	2.3	3.6	2.4	3.8	2.5	4.1	2.3	4.3	2.2
	25.0	2.5	1.9	2.9	2.1	3.4	2.3	3.6	2.4	3.8	2.5	4.1	2.3	4.2	2.2
	27.0	2.5	1.9	2.9	2.1	3.4	2.3	3.6	2.4	3.8	2.5	4.0	2.2	4.2	2.2
	29.0	2.5	1.9	2.9	2.1	3.4	2.3	3.6	2.4	3.8	2.5	4.0	2.2	4.1	2.2
	31.0	2.5	1.9	2.9	2.1	3.4	2.3	3.6	2.4	3.8	2.5	4.2	2.6	4.1	2.2
	33.0	2.5	1.9	2.9	2.1	3.4	2.3	3.6	2.4	3.8	2.5	4.2	2.6	3.9	2.1
	35.0	2.5	1.9	2.9	2.1	3.4	2.3	3.6	2.4	3.8	2.5	4.2	2.6	3.9	2.1
	37.0	2.5	1.9	2.9	2.1	3.4	2.3	3.6	2.4	3.7	2.4	3.8	2.3	3.9	2.1
	39.0	2.5	1.9	2.9	2.1	3.4	2.3	3.6	2.4	3.7	2.4	3.8	2.3	3.8	2.1
	42.0	2.5	1.9	2.9	2.1	3.4	2.3	3.6	2.4	3.7	2.4	3.8	2.3	3.8	2.1
44.0	2.5	1.9	2.9	2.1	3.4	2.3	3.6	2.4	3.7	2.4	3.8	2.3	3.8	2.1	
46.0	2.5	1.9	2.9	2.1	3.4	2.3	3.6	2.4	3.7	2.4	3.8	2.3	3.8	2.1	
4.5	10.0	3.1	2.4	3.7	2.6	4.2	2.8	4.5	2.9	4.8	3.0	5.3	3.4	5.9	3.0
	12.0	3.1	2.4	3.7	2.6	4.2	2.8	4.5	2.9	4.8	3.0	5.3	3.4	5.9	3.0
	14.0	3.1	2.4	3.7	2.6	4.2	2.8	4.5	2.9	4.8	3.0	5.3	3.4	5.8	3.0
	16.0	3.1	2.4	3.7	2.6	4.2	2.8	4.5	2.9	4.8	3.0	5.3	3.4	5.6	2.9
	18.0	3.1	2.4	3.7	2.6	4.2	2.8	4.5	2.9	4.8	3.0	5.3	3.4	5.7	3.0
	20.0	3.1	2.4	3.7	2.6	4.2	2.8	4.5	2.9	4.8	3.0	5.3	3.4	5.7	3.0
	21.0	3.1	2.4	3.7	2.6	4.2	2.8	4.5	2.9	4.8	3.0	5.3	3.4	5.6	3.0
	23.0	3.1	2.4	3.7	2.6	4.2	2.8	4.5	2.9	4.8	3.0	5.3	3.4	5.5	3.0
	25.0	3.1	2.4	3.7	2.6	4.2	2.8	4.5	2.9	4.8	3.0	5.2	3.0	5.4	2.9
	27.0	3.1	2.4	3.7	2.6	4.2	2.8	4.5	2.9	4.8	3.0	5.1	3.0	5.2	2.8
	29.0	3.1	2.4	3.7	2.6	4.2	2.8	4.5	2.9	4.8	3.0	5.1	2.9	5.2	2.8
	31.0	3.1	2.4	3.7	2.6	4.2	2.8	4.5	2.9	4.8	3.0	5.0	2.9	5.1	2.7
	33.0	3.1	2.4	3.7	2.6	4.2	2.8	4.5	2.9	4.8	3.0	4.9	2.8	5.1	2.7
	35.0	3.1	2.4	3.7	2.6	4.2	2.8	4.5	2.9	4.8	3.0	4.8	2.8	5.0	2.7
	37.0	3.1	2.4	3.7	2.6	4.2	2.8	4.5	2.9	4.8	3.0	4.8	2.9	4.9	2.6
	39.0	3.1	2.4	3.7	2.6	4.2	2.8	4.5	2.9	4.6	2.8	4.7	2.8	4.8	2.6
	42.0	3.1	2.4	3.7	2.6	4.2	2.8	4.5	2.9	4.6	2.8	4.7	2.8	4.8	2.6
44.0	3.1	2.4	3.7	2.6	4.2	2.8	4.5	2.9	4.6	2.8	4.7	2.8	4.8	2.6	
46.0	3.1	2.4	3.7	2.6	4.2	2.8	4.5	2.9	4.6	2.8	4.7	3.1	4.8	2.6	

7.2 Heating

TC: total capacity WB: wet-bulb temperature DB: dry-bulb temperature

Indoor Unit size (kW)	Outdoor temperature (°C)		Indoor temperature (°C DB)					
			16.00	18.00	20.00	21.00	22.00	24.00
	WB	DB	TC kW	TC kW	TC kW	TC kW	TC kW	TC kW
1.5	-20	-19.8	0.84	0.84	0.84	0.84	0.84	0.84
	-19	-18.8	0.90	0.90	0.90	0.90	0.90	0.90
	-17	-16.7	0.95	0.95	0.95	0.95	0.95	0.95
	-15	-13.7	0.98	0.98	0.98	0.98	0.98	0.98
	-13	-11.8	1.04	1.04	1.04	1.04	1.04	1.04
	-11	-9.8	1.05	1.07	1.07	1.07	1.07	1.07
	-10	-9.5	1.10	1.10	1.10	1.10	1.10	1.10
	-9.1	-8.5	1.13	1.13	1.13	1.13	1.13	1.13
	-7.6	-7	1.14	1.14	1.14	1.14	1.14	1.14
	-5.6	-5	1.19	1.19	1.19	1.19	1.19	1.19
	-3.7	-3	1.25	1.25	1.25	1.25	1.25	1.25
	-0.7	0	1.34	1.34	1.34	1.34	1.34	1.26
	2.2	3	1.41	1.41	1.41	1.41	1.38	1.26
	4.1	5	1.46	1.46	1.46	1.46	1.38	1.26
	6	7	1.50	1.50	1.50	1.46	1.38	1.26
7.9	9	1.55	1.55	1.50	1.46	1.38	1.26	
9.8	11	1.59	1.59	1.50	1.46	1.38	1.26	
11.8	13	1.65	1.62	1.50	1.46	1.38	1.26	
13.7	15	1.70	1.62	1.50	1.46	1.38	1.26	
2.2	-20	-19.8	1.34	1.34	1.34	1.34	1.34	1.34
	-19	-18.8	1.44	1.44	1.44	1.44	1.44	1.44
	-17	-16.7	1.51	1.51	1.51	1.51	1.51	1.51
	-15	-14.7	1.56	1.56	1.56	1.56	1.56	1.56
	-13.00	-12.60	1.66	1.66	1.66	1.66	1.66	1.66
	-11.00	-10.50	1.68	1.70	1.70	1.70	1.70	1.70
	-10.00	-9.50	1.75	1.75	1.75	1.75	1.75	1.75
	-9.10	-8.50	1.80	1.80	1.80	1.80	1.80	1.80
	-7.60	-7.00	1.82	1.82	1.82	1.82	1.82	1.82
	-5.60	-5.00	1.90	1.90	1.90	1.90	1.90	1.90
	-3.70	-3.00	1.99	1.99	1.99	1.99	1.99	1.99
	-0.70	0.00	2.14	2.14	2.14	2.14	2.14	2.02
	2.20	3.00	2.26	2.26	2.26	2.26	2.21	2.02
	4.10	5.00	2.33	2.33	2.33	2.33	2.21	2.02
	6.00	7.00	2.40	2.40	2.40	2.33	2.21	2.02
7.90	9.00	2.47	2.47	2.40	2.33	2.21	2.02	
9.80	11.00	2.54	2.54	2.40	2.33	2.21	2.02	
11.80	13.00	2.64	2.59	2.40	2.33	2.21	2.02	
13.70	15.00	2.71	2.59	2.40	2.33	2.21	2.02	
2.8	-20	-19.8	1.79	1.79	1.79	1.79	1.79	1.79
	-19	-18.8	1.92	1.92	1.92	1.92	1.92	1.92
	-17	-16.7	2.02	2.02	2.02	2.02	2.02	2.02
	-15	-14.7	2.02	2.02	2.02	2.02	2.02	2.02
	-13.00	-12.60	2.14	2.14	2.14	2.14	2.14	2.14
	-11.00	-10.50	2.24	2.24	2.24	2.24	2.24	2.24
	-10.00	-9.50	2.34	2.34	2.34	2.34	2.34	2.34
	-9.10	-8.50	2.40	2.40	2.40	2.40	2.40	2.40
	-7.60	-7.00	2.43	2.43	2.43	2.43	2.43	2.43
	-5.60	-5.00	2.53	2.53	2.53	2.53	2.53	2.53
	-3.70	-3.00	2.66	2.66	2.66	2.66	2.66	2.66
	-0.70	0.00	2.85	2.85	2.85	2.85	2.85	2.69
	2.20	3.00	3.01	3.01	3.01	3.01	2.94	2.69
	4.10	5.00	3.10	3.10	3.10	3.10	2.94	2.69
	6.00	7.00	3.20	3.20	3.20	3.10	2.94	2.69
7.90	9.00	3.30	3.30	3.20	3.10	2.94	2.69	
9.80	11.00	3.39	3.39	3.20	3.10	2.94	2.69	
11.80	13.00	3.52	3.46	3.20	3.10	2.94	2.69	
13.70	15.00	3.62	3.46	3.20	3.10	2.94	2.69	
3.6	-20	-19.8	2.24	2.24	2.24	2.24	2.24	2.24

	-19	-18.8	2.40	2.40	2.40	2.40	2.40	2.40
	-17	-16.7	2.52	2.52	2.52	2.52	2.52	2.52
	-15	-14.7	2.60	2.60	2.60	2.60	2.60	2.60
	-13.00	-12.60	2.68	2.68	2.68	2.68	2.68	2.68
	-11.00	-10.50	2.80	2.80	2.80	2.80	2.80	2.80
	-10.00	-9.50	2.92	2.92	2.92	2.92	2.92	2.92
	-9.10	-8.50	3.00	3.00	3.00	3.00	3.00	3.00
	-7.60	-7.00	3.04	3.04	3.04	3.04	3.04	3.04
	-5.60	-5.00	3.16	3.16	3.16	3.16	3.16	3.16
	-3.70	-3.00	3.32	3.32	3.32	3.32	3.32	3.32
	-0.70	0.00	3.56	3.56	3.56	3.56	3.56	3.36
	2.20	3.00	3.76	3.76	3.76	3.76	3.68	3.36
	4.10	5.00	3.88	3.88	3.88	3.88	3.68	3.36
	6.00	7.00	4.00	4.00	4.00	3.88	3.68	3.36
	7.90	9.00	4.12	4.12	4.00	3.88	3.68	3.36
	9.80	11.00	4.24	4.24	4.00	3.88	3.68	3.36
	11.80	13.00	4.40	4.32	4.00	3.88	3.68	3.36
	13.70	15.00	4.52	4.32	4.00	3.88	3.68	3.36
4.5	-20	-19.8	2.80	2.80	2.80	2.80	2.80	2.80
	-19	-18.8	3.00	3.00	3.00	3.00	3.00	3.00
	-17	-16.7	3.15	3.15	3.15	3.15	3.15	3.15
	-15	-14.7	3.25	3.25	3.25	3.25	3.25	3.25
	-13.00	-12.60	3.35	3.35	3.35	3.35	3.35	3.35
	-11.00	-10.50	3.50	3.50	3.50	3.50	3.50	3.50
	-10.00	-9.50	3.65	3.65	3.65	3.65	3.65	3.65
	-9.10	-8.50	3.75	3.75	3.75	3.75	3.75	3.75
	-7.60	-7.00	3.80	3.80	3.80	3.80	3.80	3.80
	-5.60	-5.00	3.95	3.95	3.95	3.95	3.95	3.95
	-3.70	-3.00	4.15	4.15	4.15	4.15	4.15	4.15
	-0.70	0.00	4.45	4.45	4.45	4.45	4.45	4.20
	2.20	3.00	4.70	4.70	4.70	4.70	4.60	4.20
	4.10	5.00	4.85	4.85	4.85	4.85	4.60	4.20
	6.00	7.00	5.00	5.00	5.00	4.85	4.60	4.20
7.90	9.00	5.15	5.15	5.00	4.85	4.60	4.20	
9.80	11.00	5.30	5.30	5.00	4.85	4.60	4.20	
11.80	13.00	5.50	5.40	5.00	4.85	4.60	4.20	
13.70	15.00	5.65	5.40	5.00	4.85	4.60	4.20	

8. Electrical Characteristics

Model	Indoor Unit				Power Supply		IFM	
	Hz	Voltage	Min.	Max.	MCA	MFA	kW	FLA
TMVP4N015/I4RY1S	50	220-240	198	254	0.17	15	0.015	0.136
TMVP4N022/I4RY1S	50	220-240	198	254	0.1875	15	0.039	0.175
TMVP4N028/I4RY1S	50	220-240	198	254	0.1875	15	0.039	0.175
TMVP4N036/I4RY1S	50	220-240	198	254	0.2625	15	0.049	0.21
TMVP4N045/I4RY1S	50	220-240	198	254	0.2625	15	0.049	0.21

Remark:

MCA: Min. Current Amps. (A)

MFA: Max. Fuse Amps. (A)

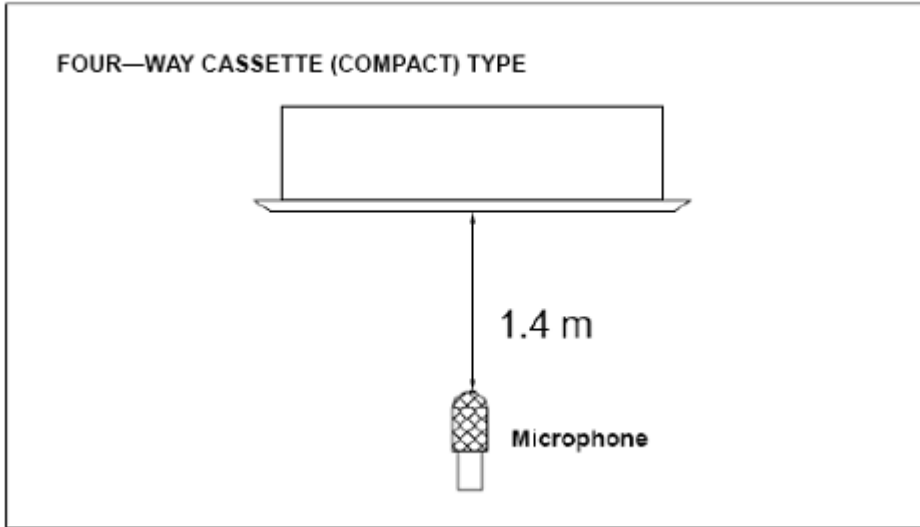
kW: Fan Motor Rated Output (kW)

FLA: Full Load Amps. (A)

IFM: Indoor Fan Motor

9. Sound Levels

9.1 Test condition



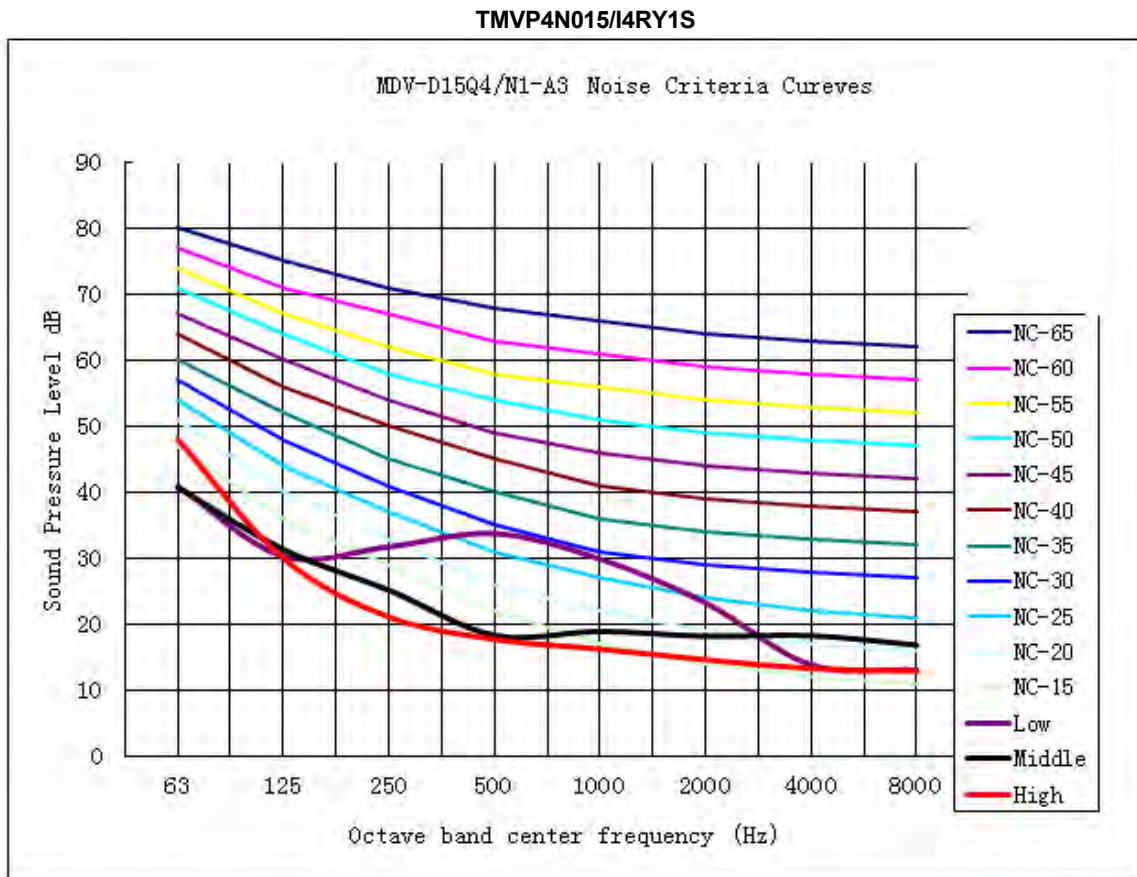
Note:

1. During actual operation, these values are normally somewhat higher as a result of ambient conditions.
2. Semi-anechoic chamber conversion value, measured at a point which is 1.4m under the unit.

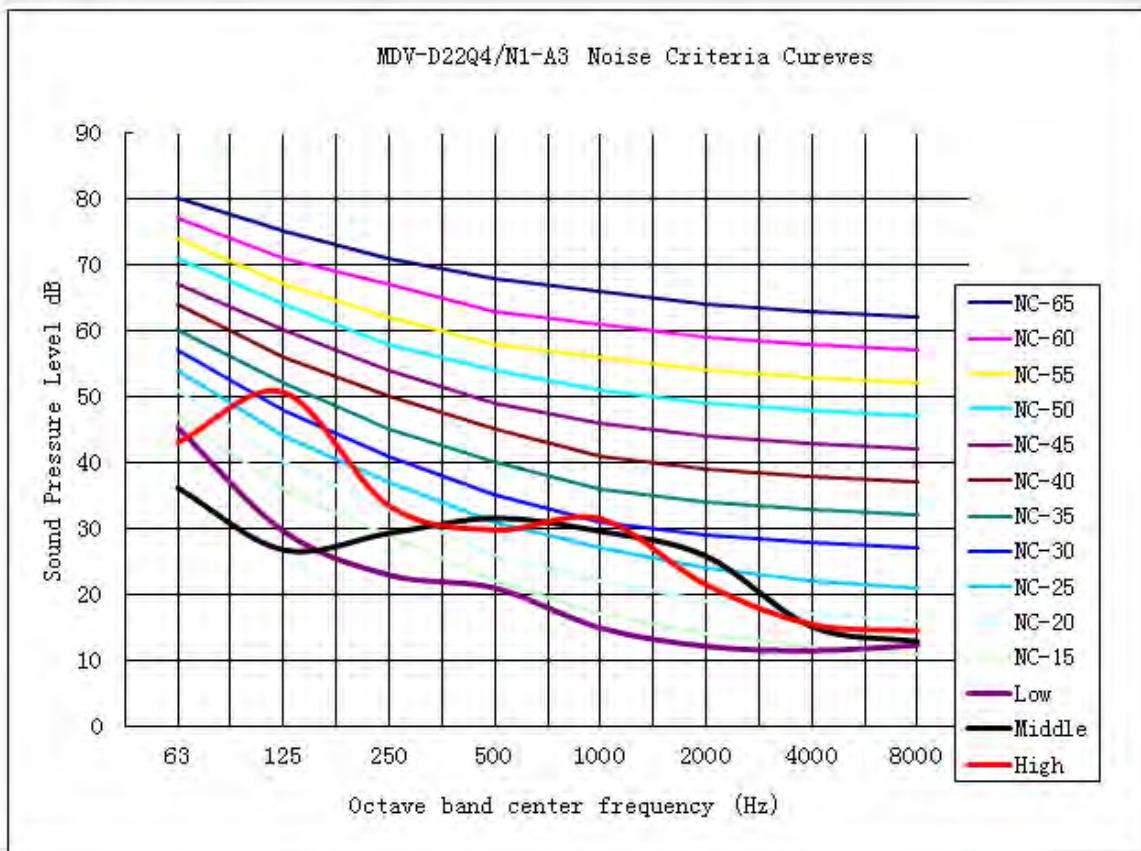
9.2 Test value

Model	Sound level dB(A)		
	H	M	L
TMVP4N015/I4RY1S	34.9	32.5	22.8
TMVP4N022/I4RY1S	35.8	33.4	23.4
TMVP4N028/I4RY1S	35.8	33.4	23.4
TMVP4N036/I4RY1S	41.5	35.6	28.8
TMVP4N045/I4RY1S	41.5	35.6	28.8

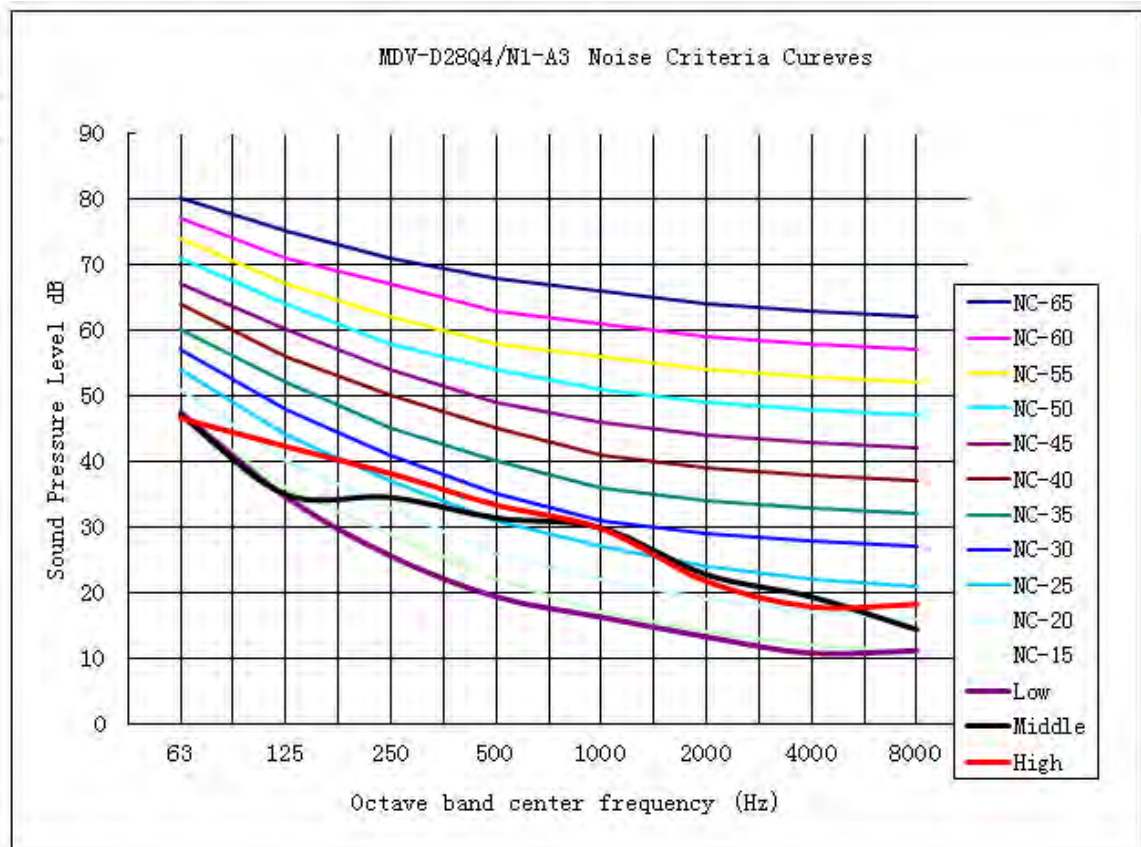
9.3 Octave Band Level



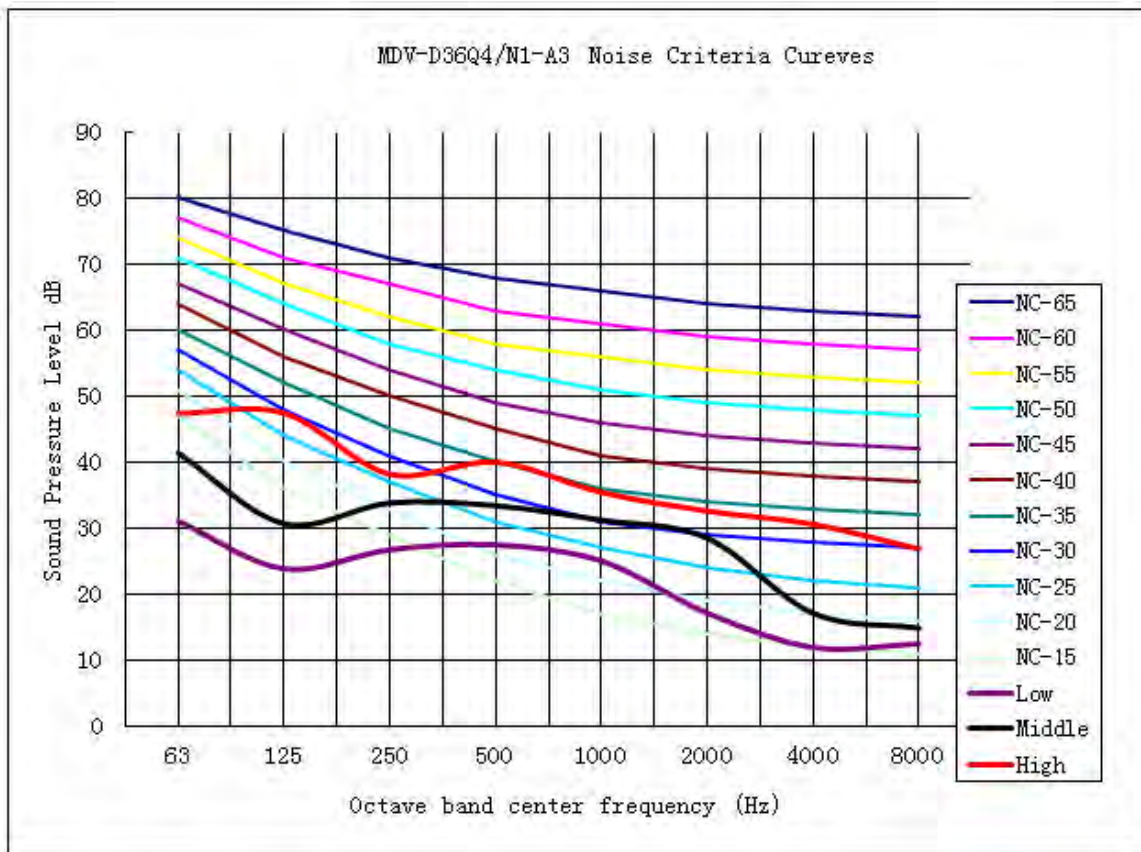
TMVP4N022/I4RY1S



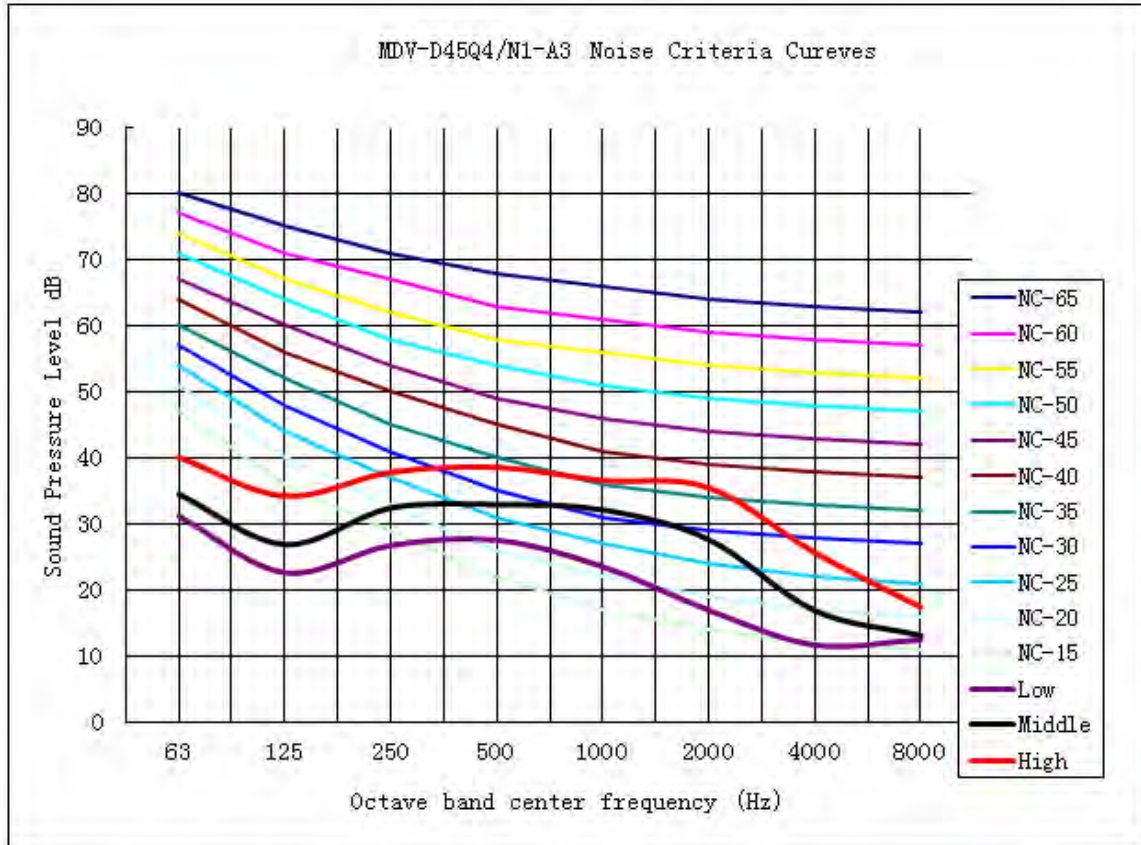
TMVP4N028/I4RY1S





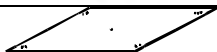








TMVP4N036/I4RY1S



TMVP4N045/I4RY1S



10. Accessories

Name	Quantity	Outline
1.Nut M10	10	
2.Washer Φ 10	10	
3. Installation paper board	1	
4. Bolt M6	/	/
5. Soundproof / insulation sheath	1	
6. Flexible hose tube	1	
7. Out-let pipe sheath	/	/
8. Drain pipe clasp	1	
9. Tightening band	5	
10. Remote controller	1	
11. Frame	1	
12. Mounting screw (ST2.9×10-C-H)	2	
13. Alkaline dry batteries (AM4)	2	
14. Installation manual	1	/
15. Signal line	1	/
16. Connective pipe for restriction assembly	1	/



Air Conditioning Systems

Cooling & Heating

TRUST AIR-CONDITIONING EQUIPMENT CO.

Shiraz office: 8 th floor, Alvand Bldg., Dostan St.,
Moaliabad Ave., SHIRAZ, IRAN., Post code: 71877-14446

Tel.: +98-71-36341070

Fax.: +98-71-36341094

Tehran office: No. 19- koohe nour St.- Motahhari St.-

TEHRAN, IRAN., Post code: 15876-73111

Tel.: +98-21-89389

Fax.: +98-21-88541903

Ahwaz office: No. 309- Kaveh St.- AHWAZ, IRAN., Post code: 61939-47911

Tel.: +98-61-32230647-8 E-mail: info@trustacs.com

Fax.: +98-61-32230647 Web site: <http://www.trustacs.com>

برند برتر در اولین جشنواره بین المللی
برترین نام و نشان های تجاری ایران

