

WALL MOUNTED VRF INDOOR UNIT (C SERIES)



TRUST AIR CONDITIONING EQUIPMENT CO.
Prepared By: Engineering & R & D Department.

Wall Mounted Type (C Type)

1. Features	2
2. Specifications	4
3. Dimensions	7
4. Piping Diagrams	8
5. Wiring Diagrams	9
6. Capacity Tables.....	10
7. Electrical Characteristics	14
8. Sound Levels	15
9. Accessories.....	16

توجه:

شرکت تراست حق تغییر مشخصات دستگاه ها را در جهت بهبود و ارتقای کیفیت برای خود محفوظ می دارد.

2015-04

1. Features

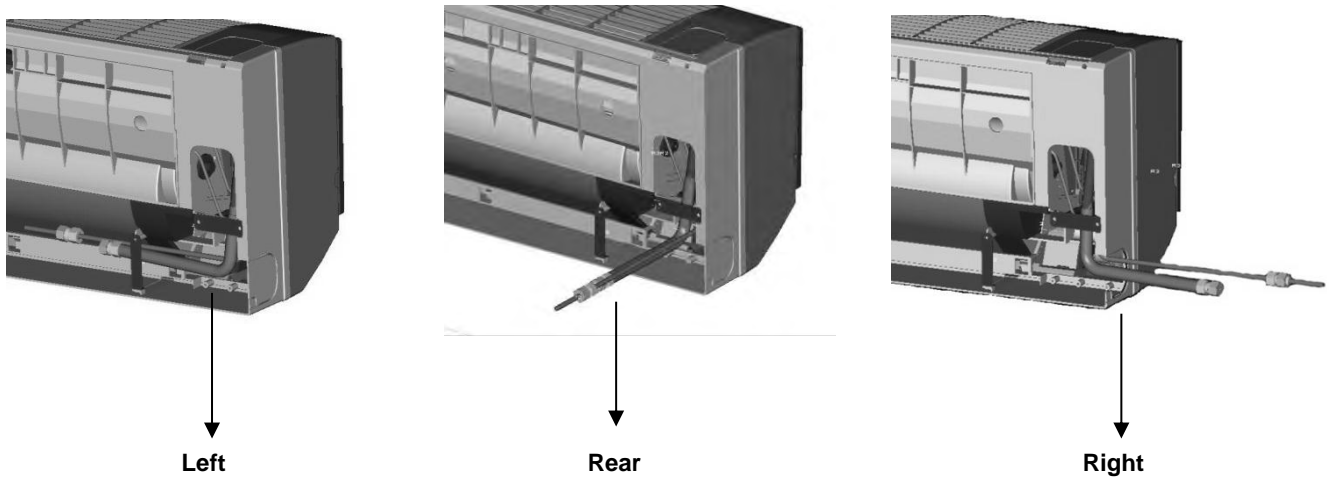
1.1 Panel with LED display



The front panel and display panel have different colors to choose: white and brown for big panel, blue and brown for small panel, and the other colors can be customized according to the customers' demands.

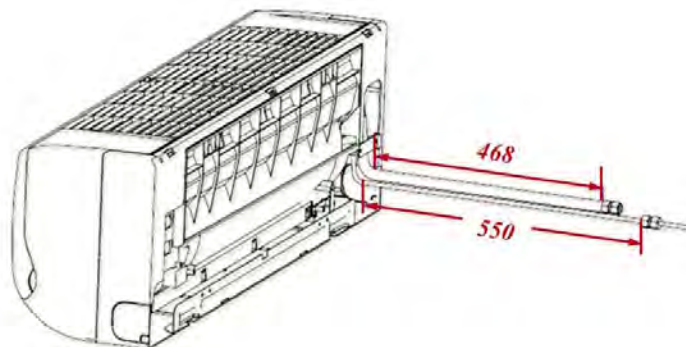
1.2 Convenient for installation

1.2.1 Multi-refrigerant outlet pipe method: left/right/rear, more flexible for installation.



1.2.2 Longer the connection pipe, Gas pipe: 468mm/Liquid pipe: 550mm, more flexible for the installation

1.2.3 Adopts new type fixing plate, easy for installation and stable.



2.2~3.6kw



4.5~5.6kw

- 1.2.4 The EXV is built-in the indoor unit, compact size, and convenient for the installation.
- 1.2.5 The panel assembly of C type indoor unit can be exchanged with S type indoor unit, alternative panel.
- 1.2.6 Reserved socket on main control board for water pump and PCB can be customized if you need water pump function.

1.3 Auxiliary electrical heating type is available.

1.4 Three air flow speed: high/middle/low, double air guides.

1.5 Low noise, creates quiet and comfortable environment.

1.5.1 Adoption of the Fujikoki brand mechanical expansion valve which has 2000 stages element positioning, ensures precise flow control, as well as lower modulation noise when EXV operating.

1.5.2 Smoother airflow with less turbulence. Owing to the multiple-blade fan and the air guide design, the airflow is getting smoother and more comfortable

1.6 Wired control compatible. RM05/BG(T)E-A remote wireless controller which can set the indoor unit address is standard, and wired controller is optional.

1.7 Auto restart

When the indoor unit is powered off, it will auto restart when powered on again after 3 minutes and operate in the original state.

2. Specifications

Model (TMVW1C)			022/I4RN*S	022E/I4RN*S	028/I4RN*S	028E/I4RN*S
Power supply		V- Ph-Hz	220-240V~, 1Ph, 50Hz			
Cooling	Capacity	kW	2.2	2.2	2.8	2.8
	Input	W	28	28	28	28
	Rated current	A	0.14	0.14	0.14	0.14
Heating	Capacity	kW	2.4	2.4+0.75	3.2	3.2+0.75
	Input	W	28	28	28	28
	Rated current	A	0.14	0.14+3.38	0.14	0.14+3.38
Electrical heating capacity		kW	-	0.75	-	0.75
Indoor fan motor	Model		YDK15-6	YDK15-6	YDK15-6	YDK15-6
	Type		AC motor			
	Brand		Welling			
	Input	W	30/24/22	30/24/22	30/24/22	30/24/22
	Capacitor	μF	1.2	1.2	1.2	1.2
	Speed (h/m/l)	r/min	810/760/700	810/760/700	810/760/700	810/760/700
Indoor coil	Number of rows		2	2	2	2
	Tube pitch× row pitch	mm	21×13.37	21×13.37	21×13.37	21×13.37
	Fin spacing	mm	1.5	1.5	1.5	1.5
	Fin type		Hydrophilic aluminum			
	Tube outside diameter and type	mm	Φ7 Inner groove tube			
	length ×height× width	mm	635×283.5×26.74			
	Number of circuits		3	3	3	3
Indoor air flow (H/M/L)		m ³ /h	520/480/430	520/480/430	520/480/430	520/480/430
Indoor noise level (H/M/L)		dB(A)	35/32/29	35/32/29	35/32/29	35/32/29
Indoor unit	Dimension (W×H×D)		915×210×290	915×210×290	915×210×290	915×210×290
	Packing (W×H×D)		1020×300×385	1020×300×385	1020×300×385	1020×300×385
	Net/Gross weight		12/16	12/17.5	12/17.5	12/17.5
Refrigerant type			R410A			
Throttle	Type	EXV (Mechanical gear modulation, Integrated with the evaporator)				
	Model	EFM-25YGMISZ-6M-A				
Design pressure(H/L)		MPa	4.4/2.6			
Refrigerant piping	Liquid side/ Gas side	mm	Φ6.35/ Φ12.7			
Connecting wiring	Power wiring	mm ²	3×2.5			
	Signal wiring	mm ²	3×0.75			
Drainage water pipe diameter			ODΦ16.5			
Controller			Wireless remote controller (RM05/BG(T)E-A) (Standard)			

Notes: 1. Nominal cooling capacities are based on the following conditions: return air temperature: 27°CDB, 19°CWB, outdoor temperature:35°CDB,equivalent ref. Piping: 8m(horizontal)

2. Nominal heating capacities are based on the following conditions: return air temperature: 20°CDB, outdoor temperature: 7°CDB,6°CWB,equivalent ref. Piping: 8m(horizontal)

Model (TMVW1C)			036/I4RN*S	036E/I4RN*S	045/I4RN*S	045E/I4RN*S
Power supply		V- Ph-Hz	220-240V~, 1Ph, 50Hz			
Cooling	Capacity	kW	3.6	3.6	4.5	4.5
	Input	W	28	28	45	45
	Rated current	A	0.14	0.14	0.2	0.2
Heating	Capacity	kW	4	4+0.75	5	5+0.9
	Input	W	28	28	45	45
	Rated current	A	0.14	0.14+3.38	0.2	0.2+4.05
Electrical heating capacity		kW	-	0.75	-	0.9
Indoor fan motor	Model		YDK15-6	YDK15-6	YDK18-4	YDK18-4
	Type		AC motor			
	Brand		Welling			
	Input	W	30/24/22	30/24/22	44/42/39	44/42/39
	Capacitor	μF	1.2	1.2	1.2	1.2
	Speed (h/m/l)	r/min	810/760/700	810/760/700	980/880/760	980/880/760
Indoor coil	Number of rows		2	2	2	2
	Tube pitch x row pitch	mm	21x13.37	21x13.37	21x13.37	21x13.37
	Fin spacing	mm	1.5	1.5	1.5	1.5
	Fin type		Hydrophilic aluminum			
	Tube outside diameter and type	mm	Φ7 Inner groove tube			
	Length x height x width	mm	635x283.5x26.74		785x357x26.74	
	Number of circuits		3	3	6	6
Indoor air flow (H/M/L)		m ³ /h	520/480/430	520/480/430	860/755/630	860/755/630
Indoor noise level (H/M/L)		dB(A)	35/32/29	35/32/29	40/38/34	40/38/34
Indoor unit	Dimension (W×H×D)	mm	915×210×290	915×210×290	1070×210×315	1070×210×315
	Packing (W×H×D)	mm	1020×300×385	1020×300×385	1180×300×410	1180×300×410
	Net/Gross weight	kg	12/17.5	12/17.5	15/19	15/19
Refrigerant type		R410A				
Throttle	Type	EXV (Mechanical gear modulation, Integrated with the evaporator)				
	Model	EFM-25YGMISZ-6M-A				
Design pressure(H/L)		MPa	4.4/2.6			
Refrigerant piping	Liquid side/ Gas side	mm	Φ6.35/ Φ12.7			
Connecting wiring	Power wiring	mm ²	3x2.5			
	Signal wiring	mm ²	3x0.75			
Drainage water pipe diameter		ODΦ16.5				
Controller		Wireless remote controller (RM05/BG(T)E-A) (Standard)				

Notes: 1. Nominal cooling capacities are based on the following conditions: return air temperature : 27°CDB, 19°CWB, outdoor temperature:35°CDB,equivalent ref. Piping: 8m(horizontal)

2. Nominal heating capacities are based on the following conditions: return air temperature: 20°CDB, outdoor temperature: 7°CDB,6°CWB,equivalent ref. Piping: 8m(horizontal)

Wall Mounted Type (C Type)

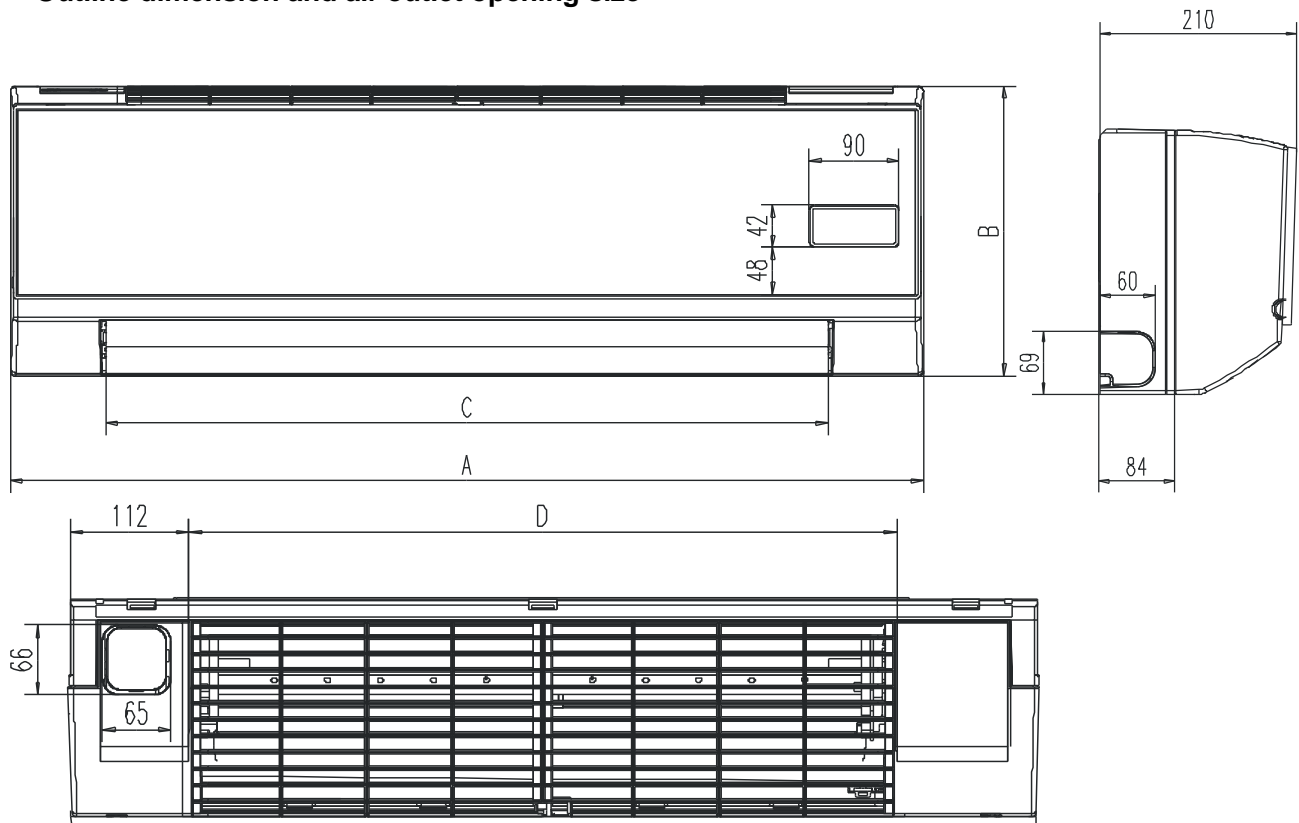
Model (TMVW1C)			056/I4RN*S	056E/I4RN*S
Power supply		V- Ph-Hz	220-240V~, 1Ph, 50Hz	
Cooling	Capacity	kW	5.6	5.6
	Input	W	45	45
	Rated current	A	0.2	0.2
Heating	Capacity	kW	6.3	6.3+0.9
	Input	W	45	45
	Rated current	A	0.2	0.2+4.05
Electrical heating capacity		kW	-	0.9
Indoor fan motor	Model		YDK18-4	YDK18-4
	Type		AC motor	
	Brand		Welling	
	Input	W	44/42/39	44/42/39
	Capacitor	μF	1.2	1.2
	Speed (h/m/l)	r/min	980/880/760	980/880/760
Indoor coil	Number of rows		2	2
	Tube pitch x row pitch	mm	21x13.37	21x13.37
	Fin spacing	mm	1.5	1.5
	Fin type		Hydrophilic aluminum	
	Tube outside diameter and type	mm	Φ7	
			Inner groove tube	
	length× height ×width	mm	785×357×26.74	
Number of circuits		6	6	
Indoor air flow (H/M/L)		m ³ /h	925/860/755	925/860/755
Indoor noise level (H/M/L)		dB(A)	40/38/34	40/38/34
Indoor unit	Dimension (W×H×D)	mm	1070×210×315	1070×210×315
	Packing (W×H×D)	mm	1180×300×410	1180×300×410
	Net/Gross weight	kg	15/18	15/19
Refrigerant type			R410A	
Throttle	Type	EXV (Mechanical gear modulation, Integrated with the evaporator)		
	Model	EFM-25YGMISZ-6M-A		
Design pressure(H/L)		MPa	4.4/2.6	
Refrigerant piping	Liquid side/ Gas side	mm	Φ9.53/Φ15.9	
Connecting wiring	Power wiring	mm ²	3×2.5	
	Signal wiring	mm ²	3×0.75	
Drainage water pipe diameter			ODΦ16.5	
Controller			Wireless remote controller (RM05/BG(T)E-A) (Standard)	

Notes: 1. Nominal cooling capacities are based on the following conditions: return air temperature : 27°CDB, 19°CWB, outdoor temperature:35°CDB,equivalent ref. Piping: 8m(horizontal)

2. Nominal heating capacities are based on the following conditions: return air temperature: 20°CDB, outdoor temperature: 7°CDB,6°CWB,equivalent ref. Piping: 8m(horizontal)

3. Dimensions

Outline dimension and air outlet opening size



Model	2.2kW	2.8 kW	3.6 kW	4.5 kW	5.6 kW
A	915	915	915	1070	1070
B	290	290	290	315	315
C	725	725	725	885	885
D	670	670	670	815	815

Main dimension:

TMVW1C022 TMVW1C028 TMVW1C036 TMVW1C022E TMVW1C028E

TMVW1C036E

Outer Length: 915mm, Height: 290mm, Depth: 210mm

Filter length: 670mm

Gas tube: Φ 12.7mm, length: Approx. 468mm

Liquid tube: Φ 6.35mm length: Approx.550mm

TMVW1C045 TMVW1C056 TMVW1C045E TMVW1C056E

Outer Length: 1072mm, Height: 315mm, Depth: 230mm

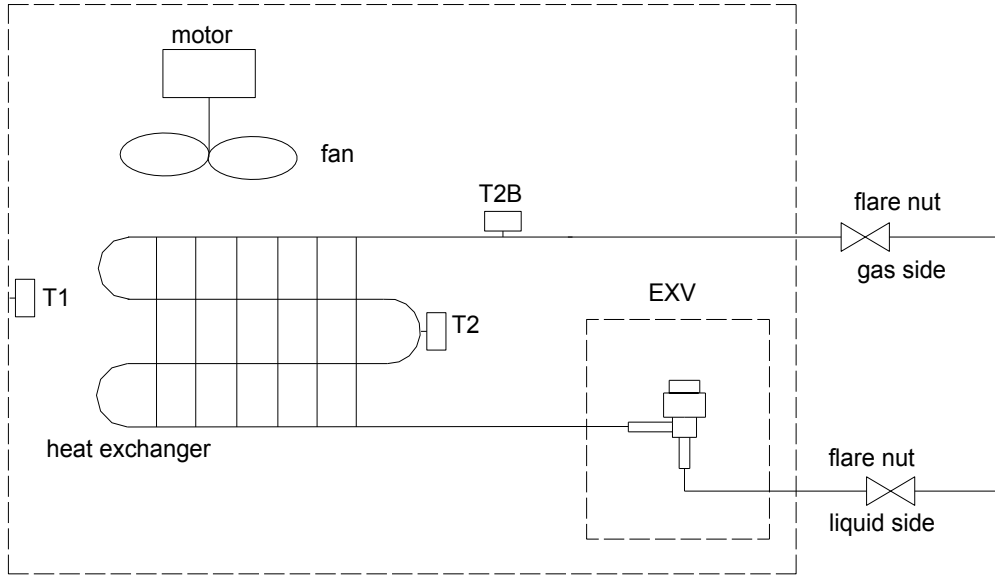
Filter length: 815mm

Gas tube: Φ 12.7mm, length: Approx. 468mm

Liquid tube: Φ 9.53, length: Approx.550mm

4. Piping Diagrams

TMVW1C022 TMVW1C028 TMVW1C036 TMVW1C045 TMVW1C056 TMVW1C022E TMVW1C028E
TMVW1C036E TMVW1C045E TMVW1C056E



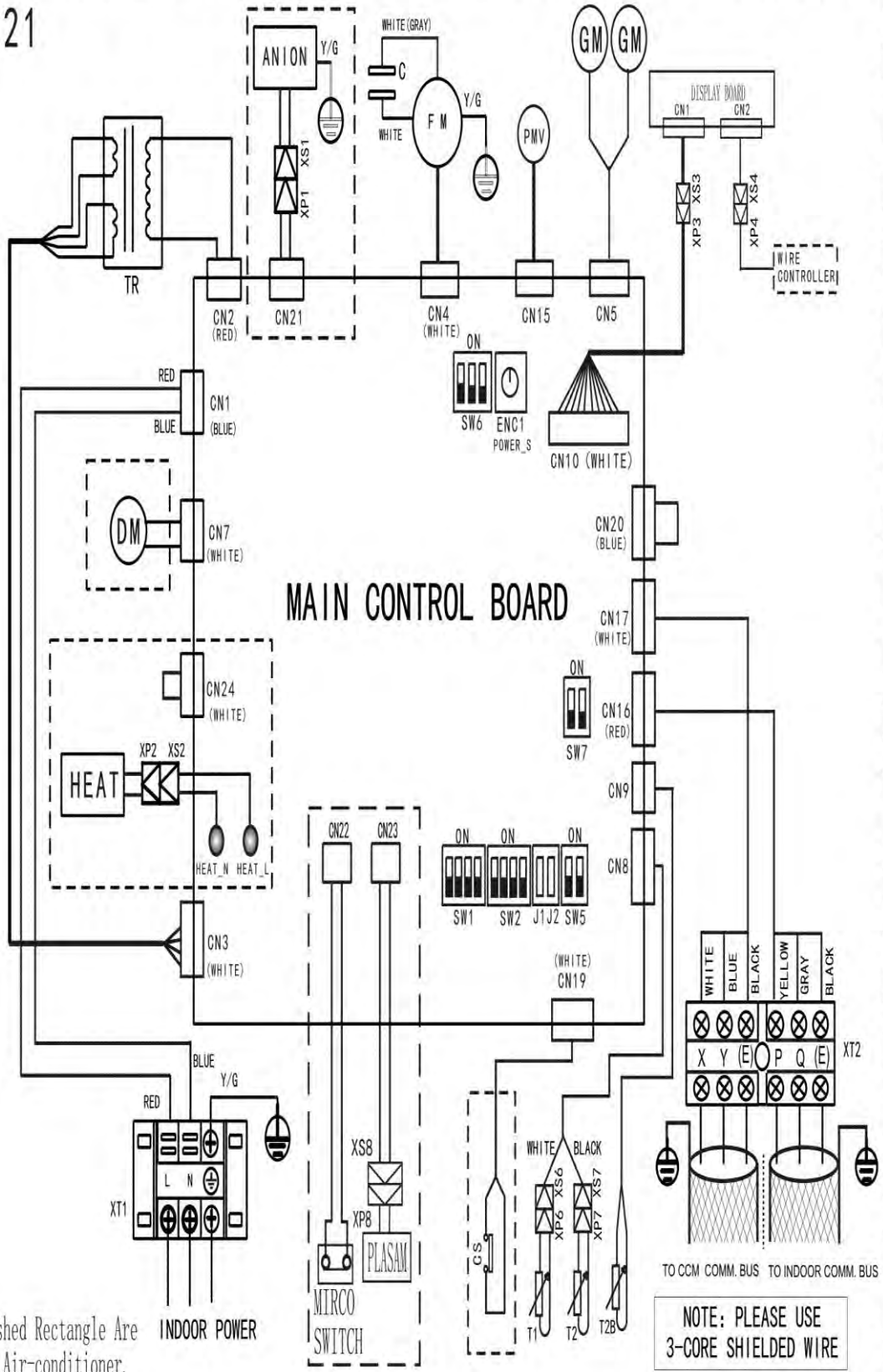
5. Wiring Diagrams

TMVW1C022 TMVW1C028 TMVW1C036 TMVW1C045 TMVW1C056 TMVW1C022E TMVW1C028E
 TMVW1C036E TMVW1C045E TMVW1C056E

202087090721

CODE	TITLE
FM	INDOOR FAN MOTOR
PMV	PULSE MOTOR EXPANSION VALVE
T1	ROOM TEMP.
T2B	OUTER PIPE TEMP.
T2	MIDDLE PIPE TEMP.
XP1-7 XS1-7	CONNECTOR
C	FAN MOTOR CAP.
TR	TRANSFORMER
GM	SWING MOTOR
HEAT	AUXILIARY HEATER
DM	PUMP MOTOR
CS	WATER LEVEL SWITCH
XT1	3-WAY TERMINAL
XT2	6-WAY TERMINAL
ANION	ANION GENERATOR
PLASAM	PLASAM
MIRCO	MIRCO SWITCH

ENC1	SWITCH	(FOR POWER)
	NUMBER	POWER
	0	2200W (0.8HP)
	1	2800W (1.0HP)
	2	3600W (1.2HP)
	3	4500W (1.5HP)
	4	5600W (2.0HP)



NOTE:

1. The Functions In The Dashed Rectangle Are Available For Particular Air-conditioner.
2. SW1, SW2, SW5-SW7 MUST BE SETTED AS THIS DIAGRAM.

NOTE: PLEASE USE 3-CORE SHIELDED WIRE

6. Capacity Tables

6.1 Cooling

TC: total capacity

SC: sensible capacity

WB: wet-bulb temperature

DB: dry-bulb temperature

Indoor Unit size (kW)	Outdoor temperature (°C DB)	Indoor temperature (°C WB/DB)													
		14/20		16/23		18/26		19/27		20/28		22/30		24/32	
		TC	SC	TC	SC	TC	SC	TC	SC	TC	SC	TC	SC	TC	SC
		kW	kW	kW	kW	kW	kW	kW	kW	kW	kW	kW	kW	kW	kW
2.2	10.0	1.5	1.3	1.8	1.4	2.1	1.5	2.2	1.5	2.3	1.6	2.6	1.6	2.9	1.5
	12.0	1.5	1.3	1.8	1.4	2.1	1.5	2.2	1.5	2.3	1.6	2.6	1.6	2.8	1.5
	14.0	1.5	1.3	1.8	1.4	2.1	1.5	2.2	1.5	2.3	1.6	2.6	1.6	2.8	1.5
	16.0	1.5	1.3	1.8	1.4	2.1	1.5	2.2	1.5	2.3	1.6	2.6	1.6	2.8	1.5
	18.0	1.5	1.3	1.8	1.4	2.1	1.5	2.2	1.5	2.3	1.6	2.6	1.6	2.8	1.4
	20.0	1.5	1.3	1.8	1.4	2.1	1.5	2.2	1.5	2.3	1.6	2.6	1.6	2.7	1.4
	21.0	1.5	1.3	1.8	1.4	2.1	1.5	2.2	1.5	2.3	1.6	2.6	1.6	2.7	1.4
	23.0	1.5	1.3	1.8	1.4	2.1	1.5	2.2	1.5	2.3	1.6	2.5	1.5	2.7	1.4
	25.0	1.5	1.3	1.8	1.4	2.1	1.5	2.2	1.5	2.3	1.6	2.5	1.5	2.6	1.4
	27.0	1.5	1.3	1.8	1.4	2.1	1.5	2.2	1.5	2.3	1.6	2.5	1.5	2.6	1.4
	29.0	1.5	1.3	1.8	1.4	2.1	1.5	2.2	1.5	2.3	1.6	2.4	1.4	2.5	1.4
	31.0	1.5	1.3	1.8	1.4	2.1	1.5	2.2	1.5	2.3	1.6	2.4	1.4	2.5	1.4
	33.0	1.5	1.3	1.8	1.4	2.1	1.5	2.2	1.5	2.3	1.6	2.4	1.4	2.4	1.4
	35.0	1.5	1.3	1.8	1.4	2.1	1.5	2.2	1.5	2.3	1.6	2.3	1.3	2.4	1.4
	37.0	1.5	1.3	1.8	1.4	2.1	1.5	2.2	1.5	2.3	1.6	2.3	1.3	2.3	1.4
	39.0	1.5	1.3	1.8	1.4	2.1	1.5	2.2	1.5	2.2	1.5	2.3	1.3	2.3	1.4
42.0	1.5	1.3	1.8	1.4	2.1	1.5	2.2	1.5	2.2	1.5	2.3	1.3	2.3	1.4	
44.0	1.5	1.3	1.8	1.4	2.1	1.5	2.2	1.5	2.2	1.5	2.3	1.3	2.3	1.4	
46.0	1.5	1.3	1.8	1.4	2.1	1.5	2.2	1.5	2.2	1.5	2.3	1.3	2.3	1.4	
2.8	10.0	1.9	1.6	2.3	1.8	2.6	1.9	2.8	1.9	3.0	1.9	3.3	2.0	3.7	2.0
	12.0	1.9	1.6	2.3	1.8	2.6	1.9	2.8	1.9	3.0	1.9	3.3	2.0	3.6	2.0
	14.0	1.9	1.6	2.3	1.8	2.6	1.9	2.8	1.9	3.0	1.9	3.3	2.0	3.6	2.0
	16.0	1.9	1.6	2.3	1.8	2.6	1.9	2.8	1.9	3.0	1.9	3.3	2.0	3.5	1.9
	18.0	1.9	1.6	2.3	1.8	2.6	1.9	2.8	1.9	3.0	1.9	3.3	2.0	3.5	1.9
	20.0	1.9	1.6	2.3	1.8	2.6	1.9	2.8	1.9	3.0	1.9	3.3	2.0	3.4	1.9
	21.0	1.9	1.6	2.3	1.8	2.6	1.9	2.8	1.9	3.0	1.9	3.3	2.0	3.4	1.9
	23.0	1.9	1.6	2.3	1.8	2.6	1.9	2.8	1.9	3.0	1.9	3.3	2.0	3.4	1.9
	25.0	1.9	1.6	2.3	1.8	2.6	1.9	2.8	1.9	3.0	1.9	3.2	1.9	3.3	1.9
	27.0	1.9	1.6	2.3	1.8	2.6	1.9	2.8	1.9	3.0	1.9	3.2	1.9	3.3	1.9
	29.0	1.9	1.6	2.3	1.8	2.6	1.9	2.8	1.9	3.0	1.9	3.1	1.8	3.2	1.8
	31.0	1.9	1.6	2.3	1.8	2.6	1.9	2.8	1.9	3.0	1.9	3.1	1.8	3.2	1.7
	33.0	1.9	1.6	2.3	1.8	2.6	1.9	2.8	1.9	3.0	1.9	3.1	1.8	3.1	1.7
	35.0	1.9	1.6	2.3	1.8	2.6	1.9	2.8	1.9	2.9	1.9	3.0	1.8	3.1	1.7
	37.0	1.9	1.6	2.3	1.8	2.6	1.9	2.8	1.9	2.9	1.9	3.0	1.8	3.0	1.7
	39.0	1.9	1.6	2.3	1.8	2.6	1.9	2.8	1.9	2.9	1.9	3.0	1.9	3.0	1.7
42.0	1.9	1.6	2.3	1.8	2.6	1.9	2.8	1.9	2.9	1.9	3.0	1.9	3.0	1.7	
44.0	1.9	1.6	2.3	1.8	2.6	1.9	2.8	1.9	2.9	1.9	3.0	1.9	3.0	1.7	
46.0	1.9	1.6	2.3	1.8	2.6	1.9	2.8	1.9	2.9	1.9	3.0	1.9	3.0	1.7	
3.6	10.0	2.5	1.9	2.9	2.1	3.4	2.3	3.6	2.4	3.8	2.5	4.3	2.4	4.7	2.5
	12.0	2.5	1.9	2.9	2.1	3.4	2.3	3.6	2.4	3.8	2.5	4.3	2.4	4.7	2.5
	14.0	2.5	1.9	2.9	2.1	3.4	2.3	3.6	2.4	3.8	2.5	4.3	2.4	4.6	2.4
	16.0	2.5	1.9	2.9	2.1	3.4	2.3	3.6	2.4	3.8	2.5	4.3	2.4	4.5	2.4
	18.0	2.5	1.9	2.9	2.1	3.4	2.3	3.6	2.4	3.8	2.5	4.3	2.4	4.5	2.4
	20.0	2.5	1.9	2.9	2.1	3.4	2.3	3.6	2.4	3.8	2.5	4.3	2.4	4.4	2.3
	21.0	2.5	1.9	2.9	2.1	3.4	2.3	3.6	2.4	3.8	2.5	4.3	2.4	4.4	2.3
	23.0	2.5	1.9	2.9	2.1	3.4	2.3	3.6	2.4	3.8	2.5	4.1	2.3	4.3	2.2
	25.0	2.5	1.9	2.9	2.1	3.4	2.3	3.6	2.4	3.8	2.5	4.1	2.3	4.2	2.2
	27.0	2.5	1.9	2.9	2.1	3.4	2.3	3.6	2.4	3.8	2.5	4.0	2.2	4.2	2.2
	29.0	2.5	1.9	2.9	2.1	3.4	2.3	3.6	2.4	3.8	2.5	4.0	2.2	4.1	2.2
	31.0	2.5	1.9	2.9	2.1	3.4	2.3	3.6	2.4	3.8	2.5	4.2	2.6	4.1	2.2
	33.0	2.5	1.9	2.9	2.1	3.4	2.3	3.6	2.4	3.8	2.5	4.2	2.6	3.9	2.1
	35.0	2.5	1.9	2.9	2.1	3.4	2.3	3.6	2.4	3.8	2.5	4.2	2.6	3.9	2.1
	37.0	2.5	1.9	2.9	2.1	3.4	2.3	3.6	2.4	3.7	2.4	3.8	2.3	3.9	2.1
	39.0	2.5	1.9	2.9	2.1	3.4	2.3	3.6	2.4	3.7	2.4	3.8	2.3	3.8	2.1
42.0	2.5	1.9	2.9	2.1	3.4	2.3	3.6	2.4	3.7	2.4	3.8	2.3	3.8	2.1	
44.0	2.5	1.9	2.9	2.1	3.4	2.3	3.6	2.4	3.7	2.4	3.8	2.3	3.8	2.1	
46.0	2.5	1.9	2.9	2.1	3.4	2.3	3.6	2.4	3.7	2.4	3.8	2.3	3.8	2.1	
4.5	10.0	3.1	2.4	3.7	2.6	4.2	2.8	4.5	2.9	4.8	3.0	5.3	3.4	5.9	3.0

	12.0	3.1	2.4	3.7	2.6	4.2	2.8	4.5	2.9	4.8	3.0	5.3	3.4	5.9	3.0
	14.0	3.1	2.4	3.7	2.6	4.2	2.8	4.5	2.9	4.8	3.0	5.3	3.4	5.8	3.0
	16.0	3.1	2.4	3.7	2.6	4.2	2.8	4.5	2.9	4.8	3.0	5.3	3.4	5.6	2.9
	18.0	3.1	2.4	3.7	2.6	4.2	2.8	4.5	2.9	4.8	3.0	5.3	3.4	5.7	3.0
	20.0	3.1	2.4	3.7	2.6	4.2	2.8	4.5	2.9	4.8	3.0	5.3	3.4	5.7	3.0
	21.0	3.1	2.4	3.7	2.6	4.2	2.8	4.5	2.9	4.8	3.0	5.3	3.4	5.6	3.0
	23.0	3.1	2.4	3.7	2.6	4.2	2.8	4.5	2.9	4.8	3.0	5.3	3.4	5.5	3.0
	25.0	3.1	2.4	3.7	2.6	4.2	2.8	4.5	2.9	4.8	3.0	5.2	3.0	5.4	2.9
	27.0	3.1	2.4	3.7	2.6	4.2	2.8	4.5	2.9	4.8	3.0	5.1	3.0	5.2	2.8
	29.0	3.1	2.4	3.7	2.6	4.2	2.8	4.5	2.9	4.8	3.0	5.1	2.9	5.2	2.8
	31.0	3.1	2.4	3.7	2.6	4.2	2.8	4.5	2.9	4.8	3.0	5.0	2.9	5.1	2.7
	33.0	3.1	2.4	3.7	2.6	4.2	2.8	4.5	2.9	4.8	3.0	4.9	2.8	5.1	2.7
	35.0	3.1	2.4	3.7	2.6	4.2	2.8	4.5	2.9	4.8	3.0	4.8	2.8	5.0	2.7
	37.0	3.1	2.4	3.7	2.6	4.2	2.8	4.5	2.9	4.8	3.0	4.8	2.9	4.9	2.6
	39.0	3.1	2.4	3.7	2.6	4.2	2.8	4.5	2.9	4.6	2.8	4.7	2.8	4.8	2.6
	42.0	3.1	2.4	3.7	2.6	4.2	2.8	4.5	2.9	4.6	2.8	4.7	2.8	4.8	2.6
	44.0	3.1	2.4	3.7	2.6	4.2	2.8	4.5	2.9	4.6	2.8	4.7	2.8	4.8	2.6
	46.0	3.1	2.4	3.7	2.6	4.2	2.8	4.5	2.9	4.6	2.8	4.7	3.1	4.8	2.6
5.6	10.0	3.9	2.7	4.6	3.0	5.3	3.3	5.6	3.4	5.9	3.5	6.6	3.6	7.3	3.5
	12.0	3.9	2.7	4.6	3.0	5.3	3.3	5.6	3.4	5.9	3.5	6.6	3.6	7.2	3.5
	14.0	3.9	2.7	4.6	3.0	5.3	3.3	5.6	3.4	5.9	3.5	6.6	3.6	7.1	3.5
	16.0	3.9	2.7	4.6	3.0	5.3	3.3	5.6	3.4	5.9	3.5	6.6	3.6	7.0	3.4
	18.0	3.9	2.7	4.6	3.0	5.3	3.3	5.6	3.4	5.9	3.5	6.6	3.6	6.8	3.4
	20.0	3.9	2.7	4.6	3.0	5.3	3.3	5.6	3.4	5.9	3.5	6.6	3.6	6.7	3.3
	21.0	3.9	2.7	4.6	3.0	5.3	3.3	5.6	3.4	5.9	3.5	6.6	3.6	6.6	3.3
	23.0	3.9	2.7	4.6	3.0	5.3	3.3	5.6	3.4	5.9	3.5	6.6	3.6	6.6	3.3
	25.0	3.9	2.7	4.6	3.0	5.3	3.3	5.6	3.4	5.9	3.5	6.6	3.6	6.5	3.2
	27.0	3.9	2.7	4.6	3.0	5.3	3.3	5.6	3.4	5.9	3.5	6.4	3.5	6.4	3.2
	29.0	3.9	2.7	4.6	3.0	5.3	3.3	5.6	3.4	5.9	3.5	6.3	3.5	6.4	3.3
	31.0	3.9	2.7	4.6	3.0	5.3	3.3	5.6	3.4	5.9	3.5	6.2	3.4	6.2	3.2
	33.0	3.9	2.7	4.6	3.0	5.3	3.3	5.6	3.4	5.9	3.5	6.2	3.4	6.2	3.2
	35.0	3.9	2.7	4.6	3.0	5.3	3.3	5.6	3.4	5.9	3.5	6.0	3.3	6.0	3.1
	37.0	3.9	2.7	4.6	3.0	5.3	3.3	5.6	3.4	5.9	3.5	5.9	3.2	6.0	3.1
39.0	3.9	2.7	4.6	3.0	5.3	3.3	5.6	3.4	5.7	3.4	5.8	3.2	6.0	3.1	
42.0	3.9	2.7	4.6	3.0	5.3	3.3	5.6	3.4	5.7	3.4	5.8	3.2	6.0	3.1	
44.0	3.9	2.7	4.6	3.0	5.3	3.3	5.6	3.4	5.7	3.4	5.8	3.2	6.0	3.1	
46.0	3.9	2.7	4.6	3.0	5.3	3.3	5.6	3.4	5.7	3.7	5.8	3.2	6.0	3.1	

6.2 Heating
TC: total capacity

WB: wet-bulb temperature **DB:** dry-bulb temperature

Indoor Unit size (kW)	Outdoor temperature (°C)		Indoor temperature (°C DB)					
			16.00	18.00	20.00	21.00	22.00	24.00
	WB	DB	TC kW	TC kW	TC kW	TC kW	TC kW	TC kW
2.2	-20	-19.8	1.46	1.46	1.46	1.46	1.46	1.46
	-19	-18.8	1.56	1.56	1.56	1.56	1.56	1.56
	-17	-16.7	1.64	1.64	1.64	1.64	1.64	1.64
	-15	-14.7	1.69	1.69	1.69	1.69	1.69	1.69
	-13.00	-12.60	1.79	1.79	1.79	1.79	1.79	1.79
	-11.00	-10.50	1.82	1.85	1.85	1.85	1.85	1.85
	-10.00	-9.50	1.90	1.90	1.90	1.90	1.90	1.90
	-9.10	-8.50	1.95	1.95	1.95	1.95	1.95	1.95
	-7.60	-7.00	1.98	1.98	1.98	1.98	1.98	1.98
	-5.60	-5.00	2.05	2.05	2.05	2.05	2.05	2.05
	-3.70	-3.00	2.16	2.16	2.16	2.16	2.16	2.16
	-0.70	0.00	2.31	2.31	2.31	2.31	2.31	2.18
	2.20	3.00	2.44	2.44	2.44	2.44	2.39	2.18
	4.10	5.00	2.52	2.52	2.52	2.52	2.39	2.18
	6.00	7.00	2.60	2.60	2.60	2.52	2.39	2.18
	7.90	9.00	2.68	2.68	2.60	2.52	2.39	2.18
9.80	11.00	2.76	2.76	2.60	2.52	2.39	2.18	
11.80	13.00	2.86	2.81	2.60	2.52	2.39	2.18	
13.70	15.00	2.94	2.81	2.60	2.52	2.39	2.18	
2.8	-20	-19.8	1.79	1.79	1.79	1.79	1.79	1.79
	-19	-18.8	1.92	1.92	1.92	1.92	1.92	1.92
	-17	-16.7	2.02	2.02	2.02	2.02	2.02	2.02
	-15	-14.7	2.02	2.02	2.02	2.02	2.02	2.02
	-13.00	-12.60	2.14	2.14	2.14	2.14	2.14	2.14
	-11.00	-10.50	2.24	2.24	2.24	2.24	2.24	2.24
	-10.00	-9.50	2.34	2.34	2.34	2.34	2.34	2.34
	-9.10	-8.50	2.40	2.40	2.40	2.40	2.40	2.40
	-7.60	-7.00	2.43	2.43	2.43	2.43	2.43	2.43
	-5.60	-5.00	2.53	2.53	2.53	2.53	2.53	2.53
	-3.70	-3.00	2.66	2.66	2.66	2.66	2.66	2.66
	-0.70	0.00	2.85	2.85	2.85	2.85	2.85	2.69
	2.20	3.00	3.01	3.01	3.01	3.01	2.94	2.69
	4.10	5.00	3.10	3.10	3.10	3.10	2.94	2.69
	6.00	7.00	3.20	3.20	3.20	3.10	2.94	2.69
	7.90	9.00	3.30	3.30	3.20	3.10	2.94	2.69
9.80	11.00	3.39	3.39	3.20	3.10	2.94	2.69	
11.80	13.00	3.52	3.46	3.20	3.10	2.94	2.69	
13.70	15.00	3.62	3.46	3.20	3.10	2.94	2.69	
3.6	-20	-19.8	2.24	2.24	2.24	2.24	2.24	2.24
	-19	-18.8	2.40	2.40	2.40	2.40	2.40	2.40
	-17	-16.7	2.52	2.52	2.52	2.52	2.52	2.52
	-15	-14.7	2.60	2.60	2.60	2.60	2.60	2.60
	-13.00	-12.60	2.68	2.68	2.68	2.68	2.68	2.68
	-11.00	-10.50	2.80	2.80	2.80	2.80	2.80	2.80
	-10.00	-9.50	2.92	2.92	2.92	2.92	2.92	2.92
	-9.10	-8.50	3.00	3.00	3.00	3.00	3.00	3.00
	-7.60	-7.00	3.04	3.04	3.04	3.04	3.04	3.04
	-5.60	-5.00	3.16	3.16	3.16	3.16	3.16	3.16
	-3.70	-3.00	3.32	3.32	3.32	3.32	3.32	3.32
	-0.70	0.00	3.56	3.56	3.56	3.56	3.56	3.36
	2.20	3.00	3.76	3.76	3.76	3.76	3.68	3.36
	4.10	5.00	3.88	3.88	3.88	3.88	3.68	3.36
	6.00	7.00	4.00	4.00	4.00	3.88	3.68	3.36
	7.90	9.00	4.12	4.12	4.00	3.88	3.68	3.36
9.80	11.00	4.24	4.24	4.00	3.88	3.68	3.36	
11.80	13.00	4.40	4.32	4.00	3.88	3.68	3.36	
13.70	15.00	4.52	4.32	4.00	3.88	3.68	3.36	
4.5	-20	-19.8	2.80	2.80	2.80	2.80	2.80	2.80
	-19	-18.8	3.00	3.00	3.00	3.00	3.00	3.00

	-17	-16.7	3.15	3.15	3.15	3.15	3.15	3.15
	-15	-14.7	3.25	3.25	3.25	3.25	3.25	3.25
	-13.00	-12.60	3.35	3.35	3.35	3.35	3.35	3.35
	-11.00	-10.50	3.50	3.50	3.50	3.50	3.50	3.50
	-10.00	-9.50	3.65	3.65	3.65	3.65	3.65	3.65
	-9.10	-8.50	3.75	3.75	3.75	3.75	3.75	3.75
	-7.60	-7.00	3.80	3.80	3.80	3.80	3.80	3.80
	-5.60	-5.00	3.95	3.95	3.95	3.95	3.95	3.95
	-3.70	-3.00	4.15	4.15	4.15	4.15	4.15	4.15
	-0.70	0.00	4.45	4.45	4.45	4.45	4.45	4.20
	2.20	3.00	4.70	4.70	4.70	4.70	4.60	4.20
	4.10	5.00	4.85	4.85	4.85	4.85	4.60	4.20
	6.00	7.00	5.00	5.00	5.00	4.85	4.60	4.20
	7.90	9.00	5.15	5.15	5.00	4.85	4.60	4.20
	9.80	11.00	5.30	5.30	5.00	4.85	4.60	4.20
	11.80	13.00	5.50	5.40	5.00	4.85	4.60	4.20
	13.70	15.00	5.65	5.40	5.00	4.85	4.60	4.20
5.6	-20	-19.8	3.53	3.53	3.53	3.53	3.53	3.53
	-19	-18.8	3.78	3.78	3.78	3.78	3.78	3.78
	-17	-16.7	3.97	3.97	3.97	3.97	3.97	3.97
	-15	-14.7	4.10	4.10	4.10	4.10	4.10	4.10
	-13.00	-12.60	4.22	4.22	4.22	4.22	4.22	4.22
	-11.00	-10.50	4.41	4.41	4.41	4.41	4.41	4.41
	-10.00	-9.50	4.60	4.60	4.60	4.60	4.60	4.60
	-9.10	-8.50	4.73	4.73	4.73	4.73	4.73	4.73
	-7.60	-7.00	4.79	4.79	4.79	4.79	4.79	4.79
	-5.60	-5.00	4.98	4.98	4.98	4.98	4.98	4.98
	-3.70	-3.00	5.23	5.23	5.23	5.23	5.23	5.23
	-0.70	0.00	5.61	5.61	5.61	5.61	5.61	5.29
	2.20	3.00	5.92	5.92	5.92	5.92	5.80	5.29
	4.10	5.00	6.11	6.11	6.11	6.11	5.80	5.29
	6.00	7.00	6.30	6.30	6.30	6.11	5.80	5.29
7.90	9.00	6.49	6.49	6.30	6.11	5.80	5.29	
9.80	11.00	6.68	6.68	6.30	6.11	5.80	5.29	
11.80	13.00	6.93	6.80	6.30	6.11	5.80	5.29	
13.70	15.00	7.12	6.80	6.30	6.11	5.80	5.29	

Note: The above table is only the heat pump heating capacity, for the type with electrical heater, the total capacity should plus the additional electrical heating capacity, which is a constant data.

7. Electrical Characteristics

Model	Indoor Unit				Power Supply		IFM	
	Hz	Voltage	Min.	Max.	MCA	MFA	KW	FLA
TMVW1C022	50	220-240V	198	254	0.3	5	0.013	0.225
TMVW1C028	50	220-240V	198	254	0.3	5	0.013	0.225
TMVW1C036	50	220-240V	198	254	0.3	5	0.013	0.225
TMVW1C045	50	220-240V	198	254	0.3	5	0.028	0.24
TMVW1C056	50	220-240V	198	254	0.3	5	0.028	0.24
TMVW1C022E	50	220-240V	198	254	3.6	5	0.013	0.225
TMVW1C028E	50	220-240V	198	254	3.6	5	0.013	0.225
TMVW1C036E	50	220-240V	198	254	3.6	5	0.013	0.225
TMVW1C045E	50	220-240V	198	254	4.3	5	0.028	0.24
TMVW1C056E	50	220-240V	198	254	4.3	5	0.028	0.24

Remark:

MCA: Min. Current Amps. (A)

MFA: Max. Fuse Amps. (A)

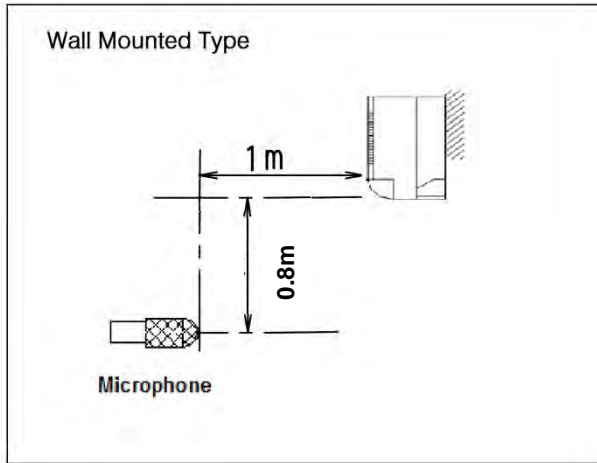
KW: Fan Motor Rated Output (kW)

FLA: Full Load Amps. (A)

IFM: Indoor Fan Motor

8. Sound Levels

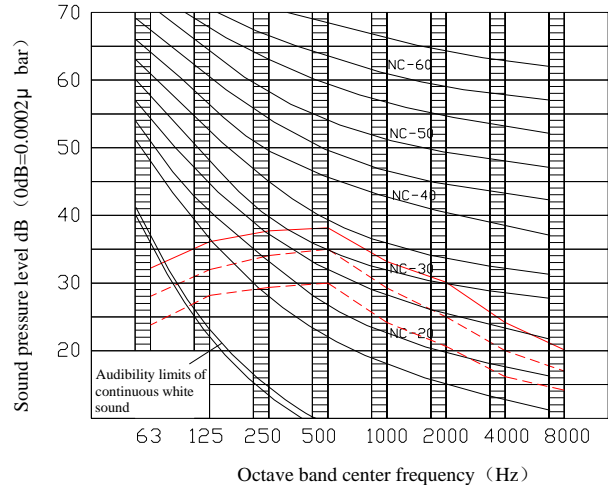
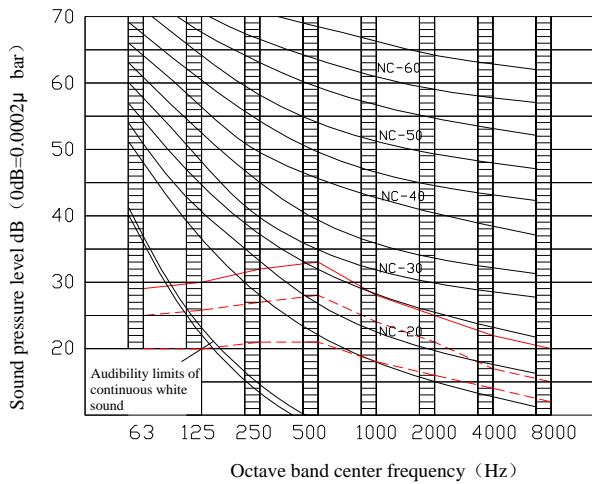
8.1 Test condition



8.2 Test value












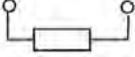
Model	Sound test value dB(A)		
	H	M	L
TMVW1C22(E)/I4RN*S	35	32	29
TMVW1C28(E)/I4RN*S	35	32	29
TMVW1C36(E)/I4RN*S	35	32	29
TMVW1C45(E)/I4RN*S	40	38	34
TMVW1C56(E)/I4RN*S	40	38	34

TMVW1C22(E)/I4RN*S TMVW1C28(E)/I4RN*S TMVW1C36(E)/I4RN*S TMVW1C45(E)/I4RN*S TMVW1C56(E)/I4RN*S



9. Accessories

9.1 Standard accessories

Name	Quantity	Shape	Usage
Installation manual	1	/	/
Pipe insulation material	2		Heat insulation
Remote controller	1		/
7# alkaline battery	2		/
Holder for remote controller	1		Hold the remote controller
Remoter controller manual	1		/
Mounting screw(ST2.9 10-C-H)	2		Installation Holder for remote controller
Controlling discreteness installation plot	1	/	/
Installation spring	2		Fix water outlet
Water outlet joint	1		For drainage
Wrapping tape	1		/
Plastic expanded tube	3		/
Screw ST3.9x25 for installation board	3		Secure the installation board
Network matching wire	1		The indoor unit which at the terminal of communication system should connect a impedance between port P and port Q.

9.2 Optional accessories

Name	Model	Code	Usage
Wired remote controller	KJR-10B/DP(T)-E	203355190000	With a standard 5m long cable to connect to display board.
(Follow me) Wired remote controller	KJR-12B/DP(T)-E	203355100010	With an extra Built-in room temp. sensor, all others are same as KJR-10B



Air Conditioning Systems

Cooling & Heating

TRUST AIR-CONDITIONING EQUIPMENT CO.

Shiraz office: 8 th floor, Alvand Bldg., Dostan St.,
Moaliabad Ave., SHIRAZ, IRAN., Post code: 71877-14446

Tel.: +98-71-36341070

Fax.: +98-71-36341094

Tehran office: No. 19- koohe nour St.- Motahhari St.-
TEHRAN, IRAN., Post code: 15876-73111

Tel.: +98-21-89389

Fax.: +98-21-88541903

Ahwaz office: No. 309- Kaveh St.- AHWAZ, IRAN., Post code: 61939-
47911

Tel.: +98-61-32230647-8

Fax.: +98-61-32230647

E-mail: info@trustacs.com

Web site: <http://www.trustacs.com>

برند برتر در اولین جشنواره بین المللی
برترین نام و نشان های تجاری ایران

